

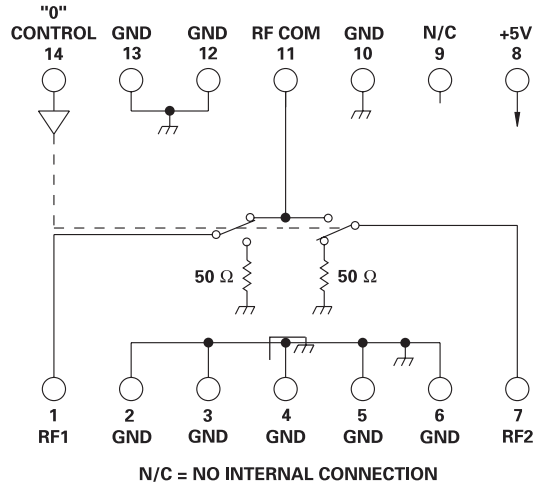
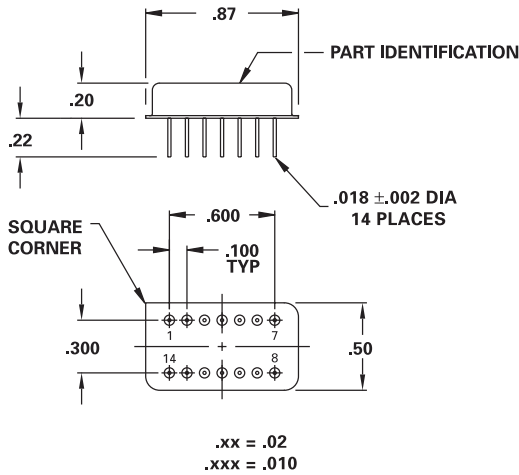
**MODEL NUMBER
DS0612**

Pin Diode SP2T

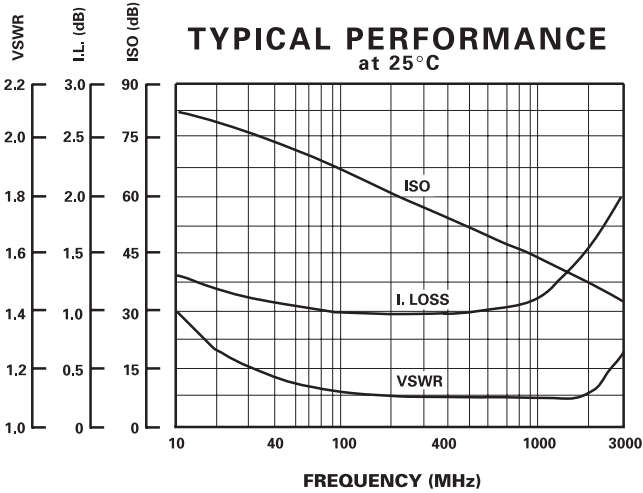
FEATURES

- 20-2000 MHz
- Low Cost
- TTL Driver
- Non-Reflective
- 14 Pin DIP

SP2T



GUARANTEED PERFORMANCE



Parameter	Min	Typ	Max	Units	Conditions
Operating Frequency	20		2000	MHz	
DC Current		2.2	3	mA	At +5 VDC Supply With 0V or +5V Cont.
Control Type					1 Line TTL or 5V CMOS Logic "0" = RF COM to RF1 Logic "1" = RF COM to RF2
Control Current			±1	µA	V _{IH} = +2.7V V _{IL} = +0.5V
Insertion Loss		1.3	1.7	dB	20 - 60 MHz
		1.1	1.7	dB	60 - 1000 MHz
		1.6	2.3	dB	1000 - 2000 MHz
Isolation	50	58		dB	20 - 200 MHz
	40	45		dB	200 - 1000 MHz
	30	37		dB	1000 - 2000 MHz
VSWR		1.25/1	1.50/1		20 - 60 MHz
		1.15/1	1.30/1		60 - 1000 MHz
		1.25/1	1.50/1		1000 - 2000 MHz
		1.20/1	1.50/1		20 - 2000 MHz
Impedance		50		OHMS	
Switching Speed		3.5	10	µSEC	50% TTL to 90% / 10% RF
Transition (Rise/Fall) Time		1		µSEC	90% / 10% or 10% / 90% RF
Switching (Video) Transients		120		mV	Peak Value
Intercept Points	2nd	+44		dBm	@ 60 MHz
	3rd	+35		dBm	@ 60 MHz
RF Power	Operate	+5	0	dBm	0.1 dB Comp. 20 - 60
		+10	+5	dBm	60 - 200
		+16	+10	dBm	200 - 2000
	No Damage		+20	dBm	
Operating Temperature	-55	+25	+125	°C	TA