



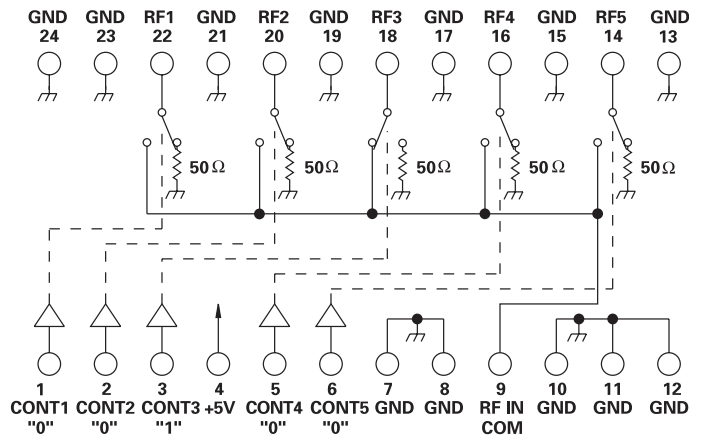
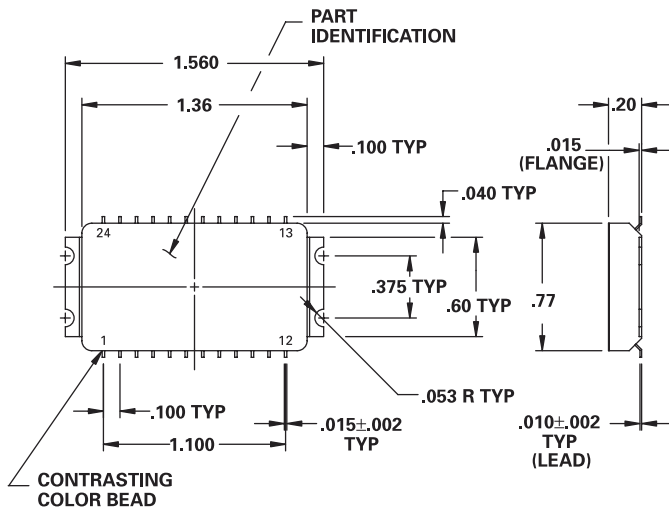
# MODEL NUMBER DS0705

# GaAs SP5T

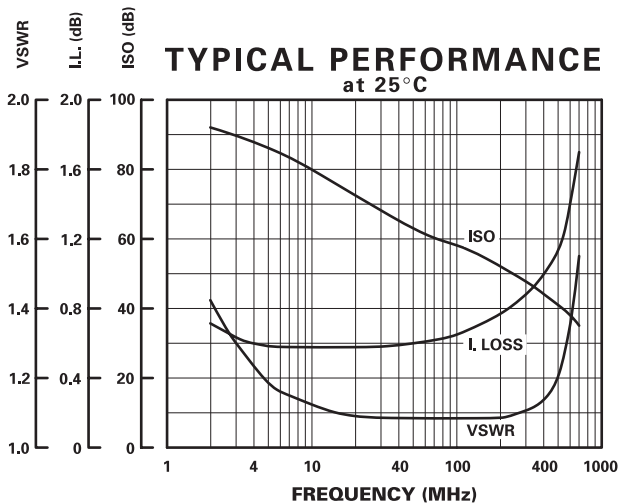
## FEATURES

- 10 - 400 MHz
- 0.5 mA @ +5 VDC
- 1.0 dB Insertion Loss
- 40 mV Transients
- Non-Reflective
- TTL Driver
- 24 Pin Surface Mount Package

## SP5T



## GUARANTEED PERFORMANCE



Parameter	Min	Typ	Max	Units	Conditions
Operating Frequency	10		400	MHz	
DC Current		0.5	5	mA	At +5 VDC Supply
Control Type		TTL			5 Line Logic "1" = Thru Logic "0" = Isolation
Control Current	High	0	±40	µA	V <sub>IH</sub> = +3.0V
	Low	0	±40	µA	V <sub>IL</sub> = +0.5V
Insertion Loss		0.7	1.0	dB	10 - 175 MHz
		1.0	1.4	dB	175 - 400 MHz
Isolation	40	53		dB	10 - 175 MHz
	30	43		dB	175 - 400 MHz
VSWR	Thru	1.1/1	1.3/1		
	Termination	1.1/1	1.3/1		
Impedance		50		OHMS	
Switching Speed		60	100	nSEC	50% TTL to 90% / 10% RF
Transition (Rise/Fall) Time		30		nSEC	90% / 10% or 10% / 90% RF
Switching (Video) Transients		40	100	mV	
Intercept Points	2nd	+84		dBm	214 MHz / 127 MHz
	3rd	+55		dBm	107 MHz / 127 MHz
RF Power	Operate	+19	+13	dBm	0.1 dB Compression
		+24	+20	dBm	0.1 dB Comp. Above 100 MHz
	No Damage		+30	dBm	
Operating Temperature	-55	+25	+125	°C	TA



DAICO Industries

310.507.3242 • FAX 310.507.5701 • www.daico.com