

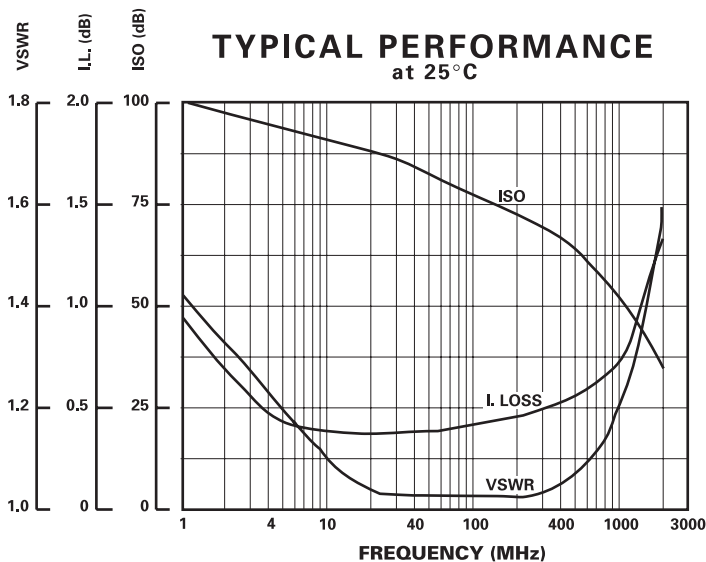
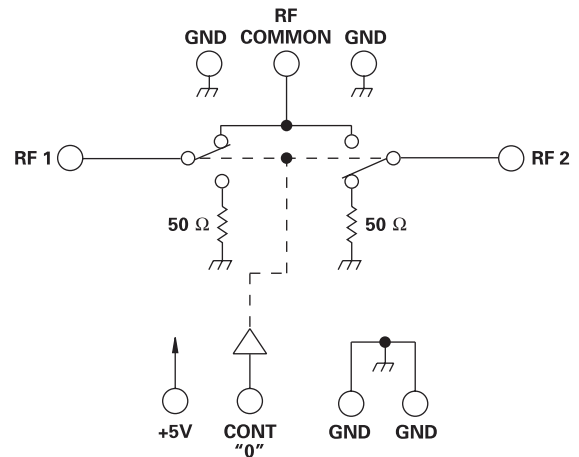
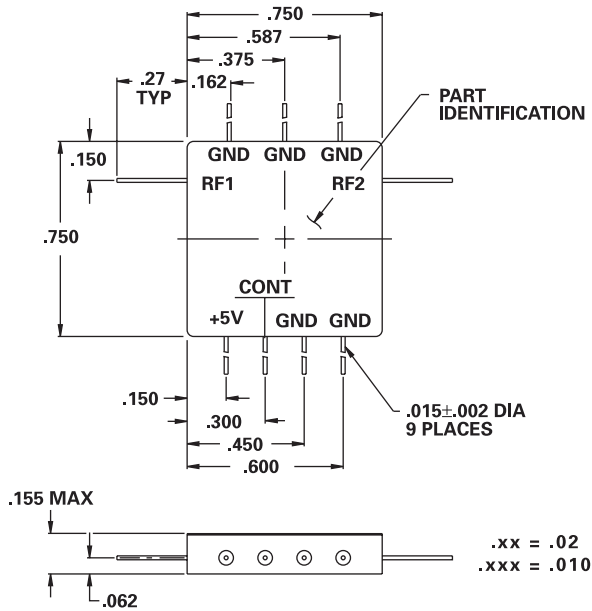
MODEL NUMBER DS0962

GaAs SP2T

FEATURES

- 5- 1000 MHz
- 0.5 dB Insertion Loss
- 70 dB Isolation
- TTL Driver
- Non-Reflective
- .750 Sq. Flat Pack

SP2T



GUARANTEED PERFORMANCE

Parameter	Min	Typ	Max	Units	Conditions
Operating Frequency	5		1000	MHz	
DC Current		0.3	1	mA	At +5 VDC Supply
Control Type		TTL			1 Line Logic "1" = RF COM to RF2
Control Current		0	±20	µA	V _{IH} = +2.7V V _{IL} = +0.5V
Insertion Loss		0.5	0.7	dB	5 - 200 MHz
		0.7	1.0	dB	200 - 1000 MHz
Isolation	60	69		dB	5 - 200 MHz
	50	58		dB	200 - 700 MHz
	45	53		dB	700 - 1000 MHz
VSWR		1.2/1	1.4/1		Thru
		1.2/1	1.4/1		Termination
Impedance		50		OHMS	
Switching Speed		72	100	nSEC	50% TTL to 90% / 10% RF
Transition (Rise/Fall) Time		24	70	nSEC	90% / 10% or 10% / 90% RF
Switching (Video) Transients		8	50	mV	Peak Value
Intercept Points		+82		dBm	70 MHz / 50 MHz
		+51		dBm	35 MHz / 50 MHz
RF Power		+19	+13	dBm	0.1 dB Compression
			+30	dBm	
Operating Temperature	-55	+25	+125	°C	TA