

## DS14C88 QUAD CMOS Line Driver

### General Description

The DS14C88, pin-for-pin compatible to the DS1488/MC1488, is a quad line drivers designed to interface data terminal equipment (DTE) with data circuit-terminating equipment (DCE). This device translates standard TTL/CMOS logic levels to levels conforming to EIA-232-D and CCITT V.28 standards.

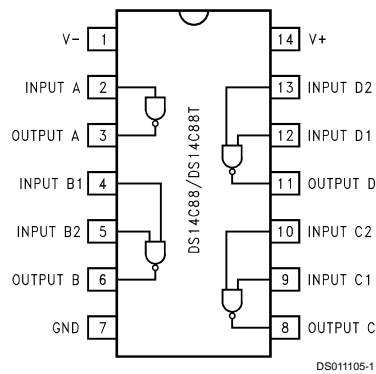
The device is fabricated in low threshold CMOS metal gate technology. The device provides very low power consumption compared to its bipolar equivalents: 500  $\mu$ A (DS14C88) versus 25 mA (DS1488).

The DS14C88 simplifies designs by eliminating the need for external slew rate control capacitors. Slew rate control in accordance with EIA-232D is provided on-chip, eliminating the output capacitors.

### Features

- Meets EIA-232D and CCITT V.28 standards
- LOW power consumption
- Wide power supply range:  $\pm 5V$  to  $\pm 12V$
- Available in SOIC package

### Connection Diagram



**Order Number DS14C88N, or DS14C88M**  
**See NS Package Number N14A or M14A**

## Absolute Maximum Ratings (Note 1)

If Military/Aerospace specified devices are required, please contact the National Semiconductor Sales Office/Distributors for availability and specifications.

Supply Voltage	
V <sup>+</sup> Pin	+13V
V <sup>-</sup> Pin	-13V
Driver Input Voltage	(V <sup>+</sup> ) +0.3V to GND -0.3V
Driver Output Voltage	V <sup>+</sup> - V <sub>OL</sub>   ≤ 30V  V <sup>-</sup> - V <sub>OL</sub>   ≤ 30V
Continuous Power Dissipation @+25°C (Note 2)	
N Package	1513 mW
M Package	1063 mW
Junction Temperature	+150°C

Lead Temperature

(Soldering 4 seconds)

+260°C

Storage Temperature Range

-65°C to +150°C

This Product does not meet 2000V ESD rating. (Note 9)

## Recommended Operating Conditions

	Min	Max	Units
V <sup>+</sup> Supply (GND = 0V)	+4.5	+12.6	V
V <sup>-</sup> Supply (GND = 0V)	-4.5	-12.6	V
Operating Free Air Temp. (T <sub>A</sub> )	0	+75	°C
DS14C88			

## Electrical Characteristics

Over Recommended Operating Conditions, unless otherwise specified

Symbol	Parameter	Conditions	Min	Typ	Max	Units	
I <sub>IL</sub>	Maximum Low Input Current	V <sub>IN</sub> = GND			+10	μA	
I <sub>IH</sub>	Maximum High Input Current	V <sub>IN</sub> = V <sup>+</sup>	-10			μA	
V <sub>IL</sub>	Low Level Input Voltage	V <sup>+</sup> ≥ +7V, V <sup>-</sup> ≤ -7V	GND		0.8	V	
		V <sup>+</sup> < +7V, V <sup>-</sup> > -7V	GND		0.6	V	
V <sub>IH</sub>	High Level Input Voltage		2.0		V <sup>+</sup>	V	
V <sub>OL</sub>	Low Level Output Level	V <sub>IN</sub> = V <sub>IH</sub> R <sub>L</sub> = 3 kΩ or 7 kΩ	V <sup>+</sup> = 4.5V, V <sup>-</sup> = -4.5V		-4.0	-3.0	V
			V <sup>+</sup> = 9V, V <sup>-</sup> = 9V		-8.0	-6.5	V
			V <sup>+</sup> = 12V, V <sup>-</sup> = -12V		-10.5	-9.0	V
V <sub>OH</sub>	High Level Output Level	V <sub>IN</sub> = V <sub>IL</sub> R <sub>L</sub> = 3 kΩ or 7 kΩ	V <sup>+</sup> = 4.5V, V <sup>-</sup> = -4.5V	3.0	4.0		V
			V <sup>+</sup> = 9V, V <sup>-</sup> = -9V	6.5	8.0		V
			V <sup>+</sup> = 12V, V <sup>-</sup> = -12V	9.0	10.5		V
I <sub>OS+</sub>	High Level Output Short Circuit Current (Note 3)	V <sub>IN</sub> = 0.8V, V <sub>O</sub> = GND	V <sup>+</sup> = +12V, V <sup>-</sup> = -12V	-45			mA
I <sub>OS-</sub>	Low Level Output Short Circuit Current (Note 3)	V <sub>IN</sub> = 2.0V, V <sub>O</sub> = GND			+45		mA
R <sub>OUT</sub>	Output Resistance	V <sup>+</sup> = V <sup>-</sup> = GND = 0V -2V ≤ V <sub>O</sub> ≤ +2V (Note 4) (Figure 1)	300				Ω
I <sub>CC+</sub>	Positive Supply Current	V <sub>IN</sub> = V <sub>ILmax</sub> R <sub>L</sub> = OPEN	V <sup>+</sup> = 4.5V, V <sup>-</sup> = -4.5V		10		μA
			V <sup>+</sup> = 9V, V <sup>-</sup> = -9V		30		μA
			V <sup>+</sup> = 12V, V <sup>-</sup> = -12V		60		μA
		V <sub>IN</sub> = V <sub>IHmin</sub> R <sub>L</sub> = OPEN	V <sup>+</sup> = 4.5V, V <sup>-</sup> = -4.5V		50		μA
			V <sup>+</sup> = 9V, V <sup>-</sup> = -9V		300		μA
			V <sup>+</sup> = 12V, V <sup>-</sup> = -12V		500		μA
I <sub>CC-</sub>	Negative Supply Current	V <sub>IN</sub> = V <sub>ILmax</sub> R <sub>L</sub> = OPEN	V <sup>+</sup> = 4.5V, V <sup>-</sup> = -4.5V		-10		μA
			V <sup>+</sup> = 9V, V <sup>-</sup> = -9V		-10		μA
			V <sup>+</sup> = 12V, V <sup>-</sup> = -12V		-10		μA
		V <sub>IN</sub> = V <sub>IHmin</sub> R <sub>L</sub> = OPEN	V <sup>+</sup> = 4.5V, V <sup>-</sup> = -4.5V		-30		μA
			V <sup>+</sup> = 9V, V <sup>-</sup> = -9V		-30		μA
			V <sup>+</sup> = 12V, V <sup>-</sup> = -12V		-60		μA

## Switching Characteristics (Notes 5, 6)

Over Recommended Operating Conditions, unless otherwise specified (Figures 2, 3)

Symbol	Parameter	Conditions	Min	Typ	Max	Units
$t_{PLH}$	Propagation Delay Low to High	$V^+ = +4.5V, V^- = -4.5V$		1.5	6.0	$\mu s$
		$V^+ = +9.0V, V^- = -9.0V$		1.2	5.0	$\mu s$
		$V^+ = +12V, V^- = -12V$		1.2	4.0	$\mu s$
$t_{PHL}$	Propagation Delay High to Low	$V^+ = +4.5V, V^- = -4.5V$		1.5	6.0	$\mu s$
		$V^+ = +9.0V, V^- = -9.0V$		1.35	5.0	$\mu s$
		$V^+ = +12V, V^- = -12V$		1.3	4.0	$\mu s$
$t_r$	Rise Time (Note 7)		0.2	1.0		$\mu s$
$t_f$	Fall Time (Note 7)		0.2	1.0		$\mu s$
tsk	Typical Propagation Delay Skew	$V^+ = +4.5V, V^- = -4.5V$		250		ns
		$V^+ = +9.0V, V^- = -9.0V$		200		ns
		$V^+ = +12V, V^- = -12V$		150		ns
$S_R$	Output Slew Rate (Note 7)	$R_L = 3\text{ k}\Omega$ to $7\text{ k}\Omega$ $C_L = 15\text{ pF}$ to $2500\text{ pF}$			30	V/ $\mu s$

**Note 1:** "Absolute Maximum Ratings" are those values beyond which the safety of the device cannot be guaranteed. They are not meant to imply that the devices should be operated at these limits. The tables of "Electrical Characteristics" specify conditions for device operation.

**Note 2:** Derate N Package 12.1 mW/°C, and M Package 8.5 mW/°C above +25°C.

**Note 3:**  $I_{OS+}$  and  $I_{OS-}$  values are for one output at a time. If more than one output is shorted simultaneously, the device dissipation may be exceeded.

**Note 4:** Power supply ( $V^+$ ,  $V^-$ ) and GND pins are connected to ground for the Output Resistance Test ( $R_O$ ).

**Note 5:** AC input test waveforms for test purposes:  $t_r = t_f \leq 20\text{ ns}$ ,  $V_{IH} = 2V$ ,  $V_{IL} = 0.8V$  ( $0.6V$  at  $V^+ = 4.5V$ ,  $V^- = -4.5V$ )

**Note 6:** Input rise and fall times must not exceed 5  $\mu s$ .

**Note 7:** The output slew rate, rise time, and fall time are measured from the +3.0V to the -3.0V level on the output waveform.

**Note 8:**  $C_L$  include jig and probe capacitances.

**Note 9:** ESD Rating (HBM, 1.5 k $\Omega$ , 100 pF)  $\geq 1.0\text{ kV}$ .

## Parameter Measure Information

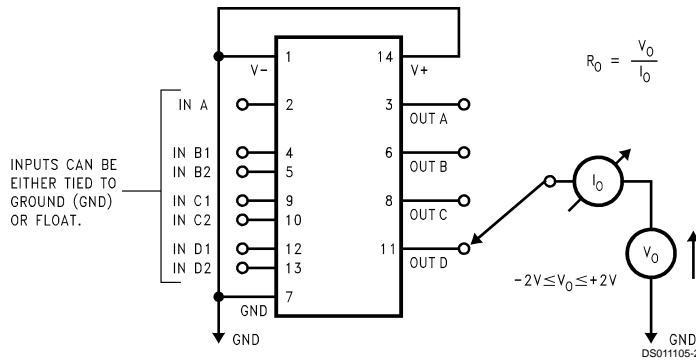


FIGURE 1. Output Resistance Test Circuit (Power-Off)

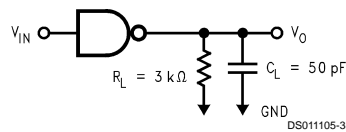


FIGURE 2. Driver Load Circuit (Note 8)

## Parameter Measure Information (Continued)

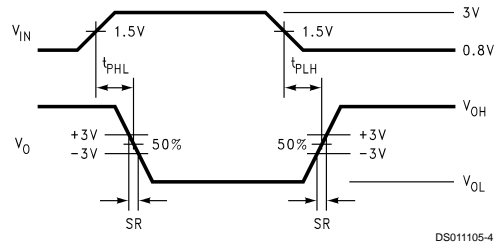


FIGURE 3. Driver Switching Waveform

## Typical Application Information

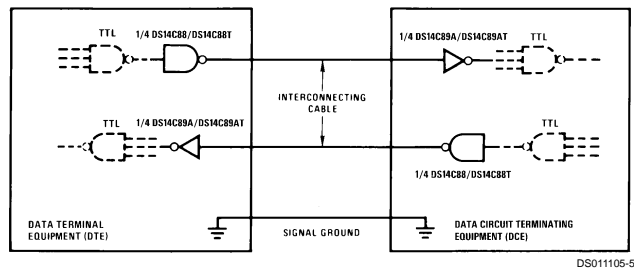
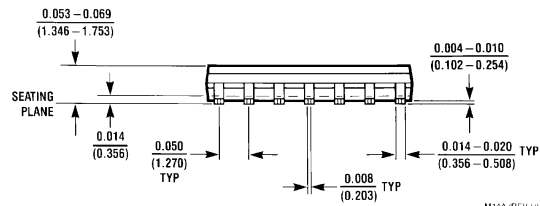
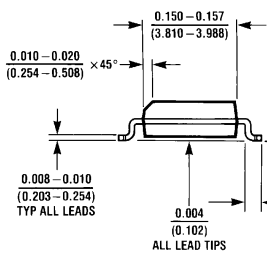
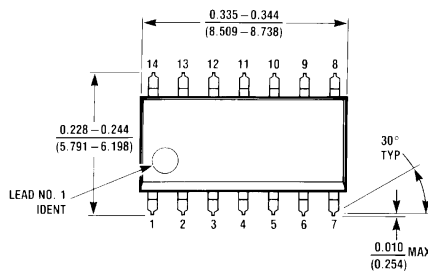


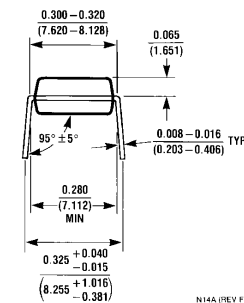
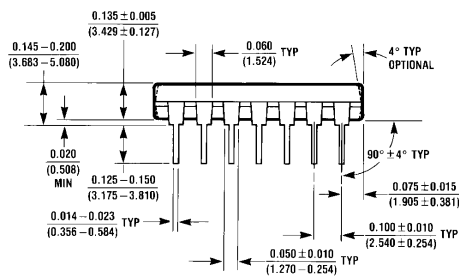
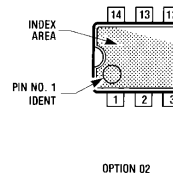
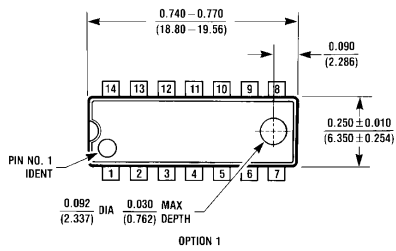
FIGURE 4. EIA-232D Data Transmission

**Physical Dimensions** inches (millimeters) unless otherwise noted



M14A (REV H)

**Order Number DS14C88M or DS14C88TM**  
**NS Package Number M14A**



N14A (REV F)

**Order Number DS14C88N or DS14C88TN**  
**NS Package Number N14A**

**LIFE SUPPORT POLICY**

NATIONAL'S PRODUCTS ARE NOT AUTHORIZED FOR USE AS CRITICAL COMPONENTS IN LIFE SUPPORT DEVICES OR SYSTEMS WITHOUT THE EXPRESS WRITTEN APPROVAL OF THE PRESIDENT OF NATIONAL SEMICONDUCTOR CORPORATION. As used herein:

1. Life support devices or systems are devices or systems which, (a) are intended for surgical implant into the body, or (b) support or sustain life, and whose failure to perform when properly used in accordance with instructions for use provided in the labeling, can be reasonably expected to result in a significant injury to the user.
2. A critical component in any component of a life support device or system whose failure to perform can be reasonably expected to cause the failure of the life support device or system, or to affect its safety or effectiveness.



**National Semiconductor Corporation**  
Americas  
Tel: 1-800-272-9959  
Fax: 1-800-737-7018  
Email: support@nsc.com

[www.national.com](http://www.national.com)

**National Semiconductor Europe**  
Fax: +49 (0) 1 80-530 85 86  
Email: europe.support@nsc.com  
Deutsch Tel: +49 (0) 1 80-530 85 85  
English Tel: +49 (0) 1 80-532 78 32  
Français Tel: +49 (0) 1 80-532 93 58  
Italiano Tel: +49 (0) 1 80-534 16 80

**National Semiconductor Asia Pacific Customer Response Group**  
Tel: 65-2544466  
Fax: 65-2504466  
Email: sea.support@nsc.com

**National Semiconductor Japan Ltd.**  
Tel: 81-3-5620-6175  
Fax: 81-3-5620-6179