

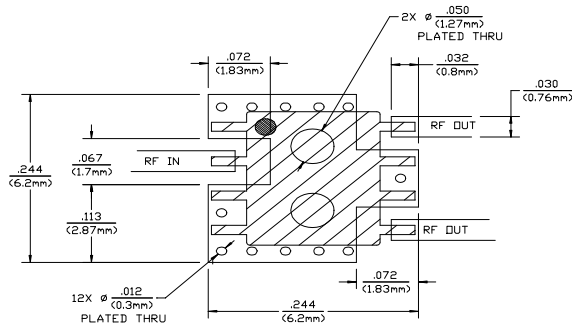
Absolute Maximum Ratings¹

Parameter	Absolute Maximum
Input Power ²	1 W CW
Operating Temperature	-40°C to +85°C
Storage Temperature	-65°C to +150°C

- Exceeding these limits may cause permanent damage.
- With Internal load dissipation of 0.125 W maximum.

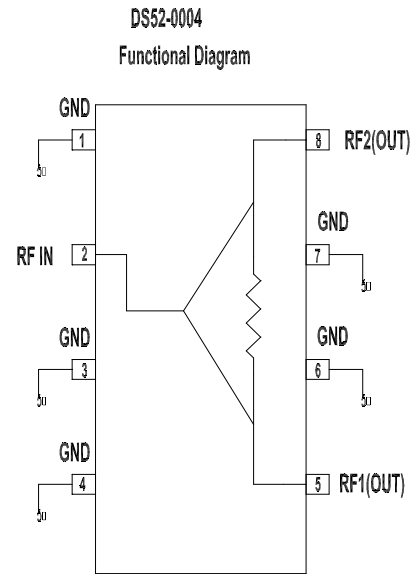
Recommended PCB Configuration

(Dimensions in Inches)



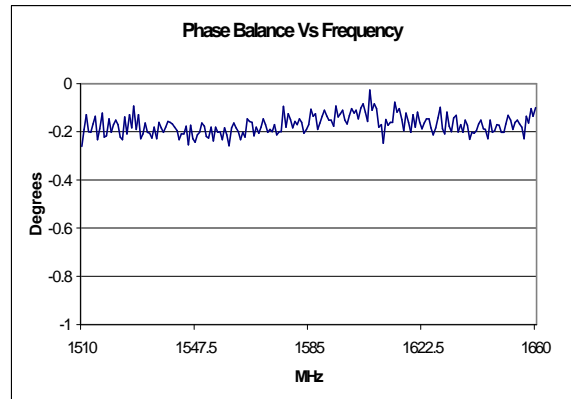
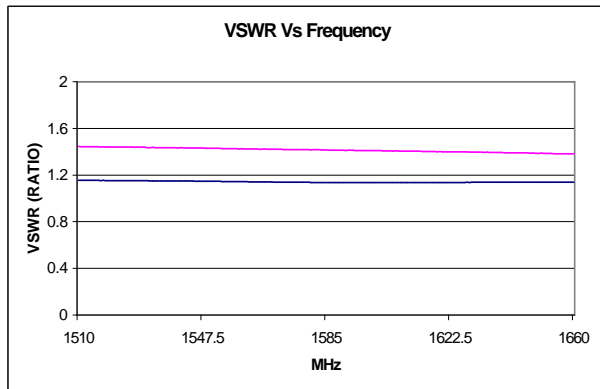
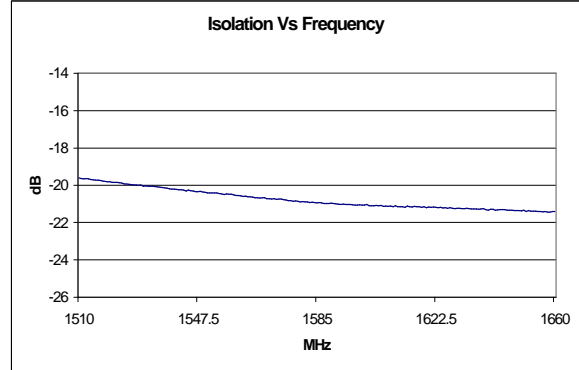
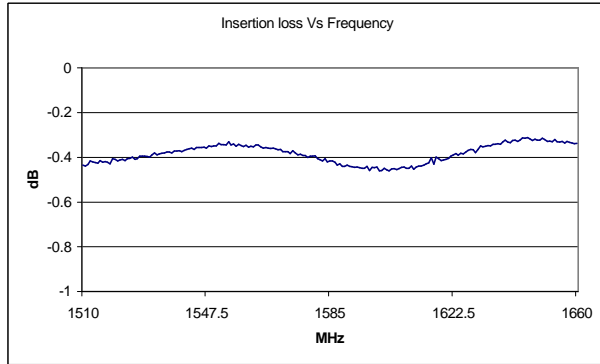
DS52-0001 PCB LAYOUT (SDIC-8 CASE)
SCALE: 1X
CIRCUIT MATERIAL: FR-4, .016 THICK
ALL RF PORTS ARE 50 OHMS

Functional Diagram³



Pins 1, 3, 4, 6 and 7 must be DC and RF grounded

Typical Performance @ +25°C



S 1561B VER 3



M/A-COM Division of AMP Incorporated ■ North America: Tel. (800) 366-2266, Fax (800) 618-8883 ■ Asia/Pacific: Tel.+85 2 2111 8088, Fax +85 2 2111 8087 ■ Europe: Tel. +44 (1344) 869 595, Fax+44 (1344) 300 020

www.macom.com

AMP and Connecting at a Higher Level are trademarks.
Specifications subject to change without notice.

