

M/A-COM Low Cost Four-Way SMT Power Splitter/Combiner, 824-960 MHz

Features

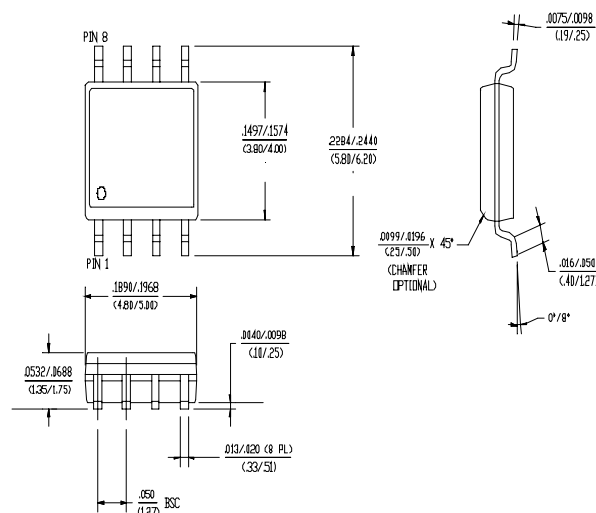
- Small Size and Low Profile
- Industry Standard SOW-16 SMT Plastic Package
- Excellent Repeatability (Lot-to-Lot Variation)
- Typical Isolation: 23 dB
- Typical Amplitude Balance: 0.3 dB
- Low Cost
- Typical Insertion Loss: 1.0dB

Description

M/A-COM's DS54-0001 is an IC-based monolithic power splitter/combiner in a low cost SOW-16 plastic package. This device is ideally suited for applications where PCB real estate is at a premium and standard packaging for automated assembly and low cost are critical. Typical applications include infrastructure, portables and peripheral devices (PCMCIA cards) for wireless standards such as GSM, AMPS, CDPD, RAM and ARDIS. Available in tape and reel.

The DS54-0001 is fabricated using a passive-integrated circuit process. The process features full-chip passivation for increased performance and reliability.

SOW-16



Ordering Information

Part Number	Package
DS54-0001	SOW-16 Lead Plastic Package
DS54-0001-TR	Forward Tape and Reel ¹
DS54-0001-RTR	Reverse Tape and Reel ¹

1. If specific reel size is required, consult factory for part number assignment.

Typical Electrical Specifications¹, T_A = +25°C

Parameter	Units	Min	Typ	Max
Insertion Loss Above 6.0dB	dB	—	1.0	1.2
Isolation	dB	18	23	—
VSWR Input	—	—	1.2:1	1.4:1
VSWR Output	—	—	1.4:1	1.75:1
Amplitude Balance	dB	—	0.3	0.7
Phase Balance	°	—	2	4

1. All specifications apply with a 50-Ohm source and load impedance.

Specifications subject to change without notice.

■ **North America:** Tel. (800) 366-2266, Fax (800) 618-8883
 ■ **Asia/Pacific:** Tel.+81-44-844-8296, Fax +81-44-844-8298
 ■ **Europe:** Tel. +44 (1344) 869 595, Fax+44 (1344) 300 020

Visit www.macom.com for additional data sheets and product information.

tyco Electronics

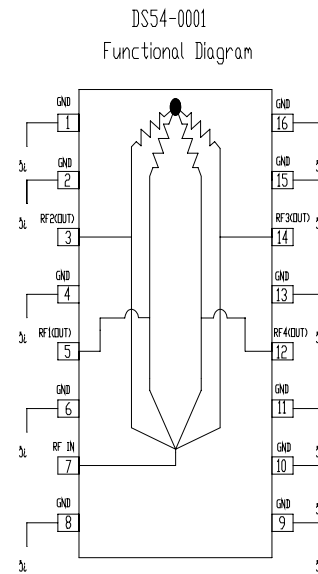
M/A-COM

Absolute Maximum Ratings¹

Parameter	Absolute Maximum
Input Power ²	1 W CW
Operating Temperature	-40°C to +85°C
Storage Temperature	-65°C to +150°C

1. Exceeding these limits may cause permanent damage.
2. With Internal load dissipation of 0.125 W maximum.

Functional Diagram¹

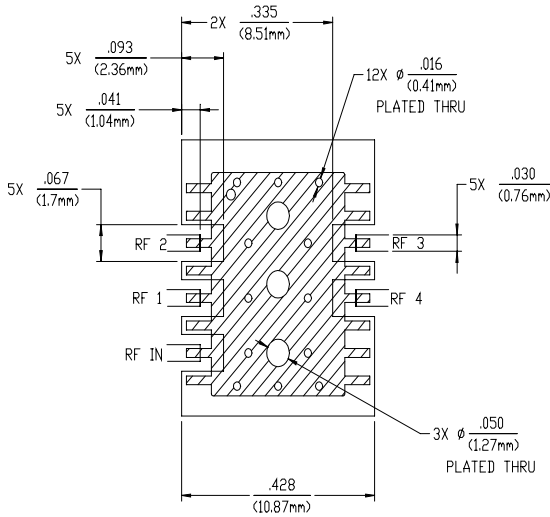


Pins 1,2,4,6,7,8,9,10,11,13,15 and 16 must be DC and RF grounded

1. Pins 1, 2, 4, 6, 7, 8, 9, 10, 11, 13, 15 and 16 must be RF and DC grounded.

Recommended PCB Configuration

(Dimensions in Inches)



Specifications subject to change without notice.

- North America: Tel. (800) 366-2266, Fax (800) 618-8883
- Asia/Pacific: Tel.+81-44-844-8296, Fax +81-44-844-8298
- Europe: Tel. +44 (1344) 869 595, Fax+44 (1344) 300 020

Visit www.macom.com for additional data sheets and product information.