

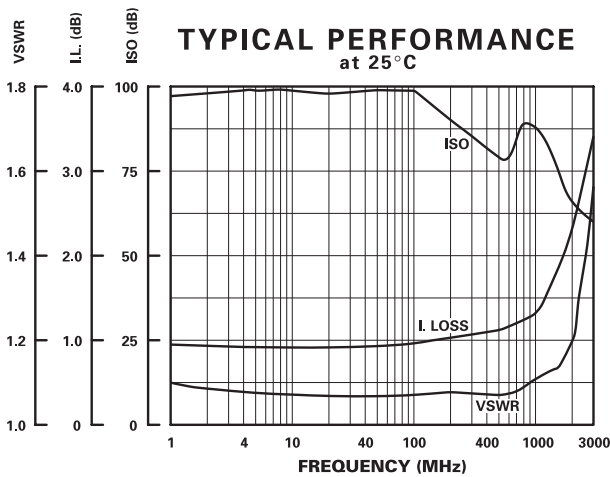
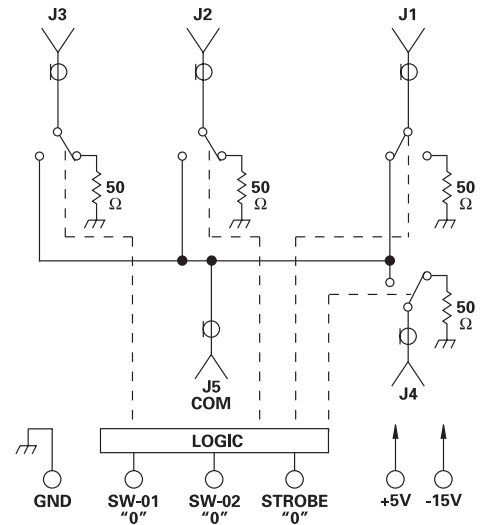
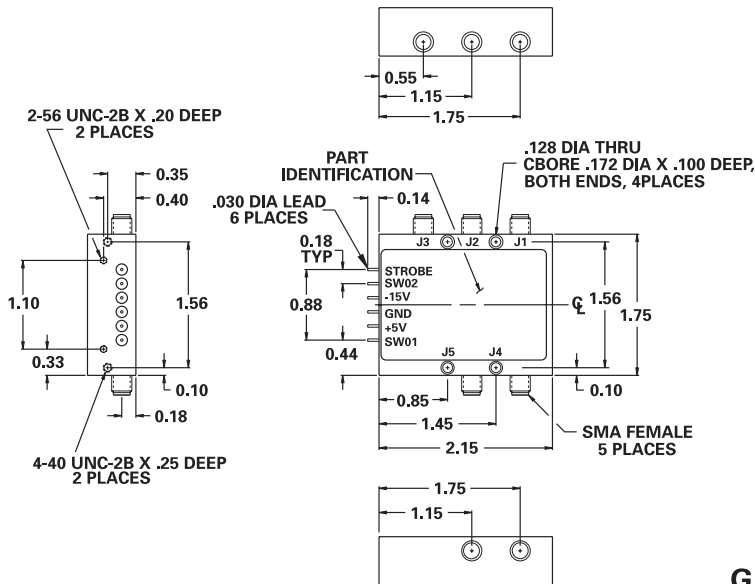
MODEL NUMBER DSW46194

GaAs SP4T

FEATURES

- 1-1200 MHz
- High Intercept Points
- 80 dB Isolation
- 1.25 dB Insertion Loss
- TTL Control
- Non-Reflective
- SMA Connectors

SP4T



LOGIC TABLE			
Strobe	SW-02	SW-01	Function
0	0	0	J5 - J1
0	0	1	J5 - J2
0	1	0	J5 - J3
0	1	1	J5 - J4
1	X	X	Last State When Strobe was at a low level

X = Don't Care

GUARANTEED PERFORMANCE

Parameter	Min	Typ	Max	Units	Conditions
Operating Frequency	1		1200	MHz	
DC Current		27 40	43 53	mA	At +5 VDC Supply At -15 VDC Supply
Control Type		TTL			See Logic Chart
Control Current				μA	V _{IH} = +2.7V V _{IL} = +0.5V
Isolation	70	80		dB	500 - 1000 MHz
Insertion Loss		1.25 1.70	1.5 2.0	dB	1 - 100 MHz 100 - 1200 MHz
		±0.1	±0.3	dB	Port to Port, REF J4
		±1	±2.0	DEG	Port to Port, REF J4
VSWR		1.15/1	1.25/1		
		1.25/1	1.5/1		
Impedance		50		OHMS	
Switching Speed		7.5	10	μSEC	50% TTL to 90% / 10% RF
Transition (Rise/Fall) Time		3		μSEC	10% / 90% or 90% / 10% RF
Switching (Video) Transients		-80	-70	dBm	
Intercept Points	2nd	+70 +80	+76 +100	dBm	1 - 20 MHz 20 - 1200 MHz
	3rd	+35 +40	+38 +61	dBm	1 - 20 MHz 20 - 1200 MHz
RF Power	Operate	+14 +17	+12 +15	dBm	1 - 2 MHz 2 - 20 MHz
		+30	+20	dBm	20 - 1200 MHz (0.1 dB Compression)
	No Damage		+30	dBm	
Operating Temperature	0	+25	+75	°C	TA



DAICO Industries

310.507.3242 • FAX 310.507.5701 • www.daico.com