



PD6710/'22

ISA-to-PC-Card (PCMCIA) Controllers

Datasheet

The PD6710 and PD6722 are single-chip PC Card (PCMCIA) controller solutions capable of controlling one (PD6710) or two (PD6722) PC Card sockets. The chips are compliant with PC Card Standard, PCMCIA 2.1, and JEIDA 4.1 and are optimized for use in embedded applications and notebook/handheld/mobile computer systems where reduced form factor and low power consumption are critical design objectives. With the PD6710, a complete PC Card solution with power-control logic can occupy less than 1.5 square inches (excluding the socket connector). With the PD6722, a complete dual-socket PC Card solution with power-control logic can occupy less than 2 square inches (excluding socket connectors).

The chips employ energy-efficient mixed-voltage technology that can reduce system power consumption by over 50 percent. The chips also provide: a Low-Power Dynamic mode, which automatically stops the internal clock during periods of card inactivity; a software-controlled Suspend mode, which dramatically reduces power by disabling most of the internal circuitry and stopping data transactions to the PC Cards; and a hardware-controlled Super Suspend mode, which reduces current to the μA range.

Personal computer applications typically access PC Cards through a third-party socket/card-services software interface. To assure full compatibility with industry-standard socket/card-services software and PC Card applications, the register set in the PD6710 and PD6722 is a superset of the Intel[®] 82365SL register set.

The chips provide fully buffered PC Card interfaces, meaning that no external logic is required for buffering signals to/from the interface, and power consumption can be controlled by limiting signal transitions on the PC Card bus.



Information in this document is provided in connection with Intel® products. No license, express or implied, by estoppel or otherwise, to any intellectual property rights is granted by this document. Except as provided in Intel's Terms and Conditions of Sale for such products, Intel assumes no liability whatsoever, and Intel disclaims any express or implied warranty, relating to sale and/or use of Intel products including liability or warranties relating to fitness for a particular purpose, merchantability, or infringement of any patent, copyright or other intellectual property right. Intel products are not intended for use in medical, life saving, or life sustaining applications.

Intel may make changes to specifications and product descriptions at any time, without notice.

Designers must not rely on the absence or characteristics of any features or instructions marked "reserved" or "undefined." Intel reserves these for future definition and shall have no responsibility whatsoever for conflicts or incompatibilities arising from future changes to them.

The PD6710 or PD6722 may contain design defects or errors known as errata which may cause the product to deviate from published specifications. Current characterized errata are available on request.

Contact your local Intel sales office or your distributor to obtain the latest specifications and before placing your product order.

Copies of documents which have an ordering number and are referenced in this document, or other Intel literature may be obtained by calling 1-800-548-4725 or by visiting Intel's website at <http://www.intel.com>.

Copyright © Intel Corporation, May 2001

*Third-party brands and names are the property of their respective owners.

Contents

1.0	Product Features	9
2.0	General Conventions	11
	2.1 Numbers and Units.....	11
3.0	Pin Information	12
	3.1 Pin Diagrams.....	13
	3.2 Pin Description Conventions	14
	3.3 Pin Descriptions	16
	3.4 Power-On Configuration Summary	25
4.0	Introduction	27
	4.1 System Architecture	27
	4.1.1 PC Card Basics	27
	4.1.2 PD67XX Windowing Capabilities	27
	4.1.3 PD67XX Functional Blocks	30
	4.1.4 Interrupts	30
	4.1.5 Alternate Functions of Interrupt Pins	31
	4.1.6 General-Purpose Strobe Feature	32
	4.1.7 Voltage Sense Pins	32
	4.1.8 PD67XX Power Management	32
	4.1.9 Socket Power Management Features	34
	4.1.10 Write FIFO.....	35
	4.1.11 Bus Sizing	35
	4.1.12 Programmable PC Card Timing	36
	4.1.13 DMA Mode Operation for the PD6722	36
	4.1.14 Selective Data Drive for I/O Windows	36
	4.2 Host Access to Registers	36
	4.3 Power-On Setup.....	38
5.0	Register Description Conventions	39
6.0	Operation Registers	41
	6.1 Index.....	41
	6.2 Data.....	44
7.0	Chip Control Registers	46
	7.1 Chip Revision	46
	7.2 Interface Status	47
	7.3 Power Control.....	48
	7.4 Interrupt and General Control.....	51
	7.5 Card Status Change.....	52
	7.6 Management Interrupt Configuration.....	54
	7.7 Mapping Enable	55
8.0	I/O Window Mapping Registers	58
	8.1 I/O Window Control	58
	8.2 System I/O Map 0–1 Start Address Low	59

8.3	System I/O Map 0–1 Start Address High	60
8.4	System I/O Map 0–1 End Address Low	60
8.5	System I/O Map 0–1 End Address High	61
8.6	Card I/O Map 0–1 Offset Address Low	62
8.7	Card I/O Map 0–1 Offset Address High	62
9.0	Memory Window Mapping Registers	64
9.1	System Memory Map 0–4 Start Address Low	64
9.2	System Memory Map 0–4 Start Address High	65
9.3	System Memory Map 0–4 End Address Low	66
9.4	System Memory Map 0–4 End Address High	66
9.5	Card Memory Map 0–4 Offset Address Low	67
9.6	Card Memory Map 0–4 Offset Address High	68
10.0	Extension Registers.....	70
10.1	Misc Control 1	70
10.2	FIFO Control	72
10.3	Misc Control 2	72
10.4	Chip Information.....	74
10.5	ATA Control.....	75
10.6	Extended Index	77
10.7	Extended Data	77
	10.7.1 Data Mask 0–1	78
	10.7.2 Extension Control 1 (PD6722 only, formerly DMA Control)	78
	10.7.3 Maximum DMA Acknowledge Delay (PD6722 only)	79
	10.7.4 External Data (PD6722 only, Socket A, Index 2Fh)	81
	10.7.5 External Data (PD6722 only, Socket A, Index 6Fh)	82
	10.7.6 Extension Control 2 (PD6722 only).....	83
11.0	Timing Registers	84
11.1	Setup Timing 0–1	84
11.2	Command Timing 0–1	85
11.3	Recovery Timing 0–1	86
12.0	ATA Mode Operation	88
13.0	Using GPSTB Pins for External Port Control (PD6722 only)⁹¹	
13.1	Control of GPSTB Pins	91
13.2	Example Implementations of GPSTB-Controlled Read and Write Ports.....	93
13.3	GPSTB in Suspend Mode	94
14.0	VS1# and VS2# Voltage Detection	95
15.0	DMA Operation (PD6722 only).....	97
15.1	DMA Capabilities of the PD6722.....	97
15.2	DMA-Type PC Card Cycles	97
15.3	ISA Bus DMA Handshake Signal	98
15.4	Configuring the PD6722 Registers for a DMA Transfer	98
	15.4.1 Programming the DMA Request Pin from the Card	98
	15.4.2 Configuring the Socket Interface for I/O	99



- 15.4.3 Preventing Dual Interpretation of DMA Handshake Signals..... 99
- 15.4.4 Turning On DMA System 100
- 15.4.5 The DMA Transfer Process..... 100
- 15.4.6 Terminal Count to Card at Conclusion of Transfer..... 100
- 16.0 Electrical Specifications..... 101**
 - 16.1 Absolute Maximum Ratings..... 101
 - 16.2 DC Specifications 101
 - 16.3 AC Timing Specifications 104
 - 16.4 ISA Bus Timing..... 104
 - 16.4.1 Reset Timing 107
 - 16.4.2 System Interrupt Timing 107
 - 16.4.3 General-Purpose Strobe Timing (PD6722 only)..... 108
 - 16.4.4 Input Clock Specification 108
 - 16.4.5 PC Card Bus Timing Calculations 109
- 17.0 Package Specifications 121**
 - 17.1 144-Pin LQFP Package..... 121
 - 17.2 208-Pin MQFP Package..... 122
 - 17.3 208-Pin LQFP Package..... 123
- 18.0 Order Numbers Example..... 124**
- 19.0 Appendix A 125**
 - 19.1 Register Summary Tables..... 125
 - 19.1.1 Operation Registers 125
 - 19.2 Chip Control Registers 125
 - 19.3 I/O Window Mapping Registers..... 127
 - 19.4 Memory Window Mapping Registers..... 129
 - 19.5 Extension Registers 130
 - 19.6 Timing Registers 133
- Index 135**

Figures

1	System Block Diagram	10
2	PC Card Controller Form Factor	10
3	PD6710 Pin Diagram	13
4	PD6722 Pin Diagram	14
5	Memory Window Organization	29
6	I/O Window Organization	29
7	Functional Block Diagram	30
8	Indexed 8-Bit Register Structure	37
9	Indexed 8-Bit Register Example	37
10	Device/Socket/Register Index Space	42
11	Pulse Mode Interrupts	71
12	Selection of Acknowledge Time-out Interval	80
13	Example GPSTB Write Port (Extension Control 2 bits 4:3 are '10')	93
14	Example GPSTB Read Port (Extension Control 2 bits 4:3 are '01')	93
15	VS1# and VS2# Sensing on a PD6722 (Socket B Extension Control 2 bit 3 is '1')	96
16	DMA Handshake Connections to the ISA Bus to Make the PD6722 DMA-Capable	98
17	Card DMA Request and Acknowledge Handshake with Terminal Count	99
18	Bus Timing — ISA Bus	106
19	Reset Timing	107
20	Pulse Mode Interrupt Timing	108
21	General-Purpose Strobe Timing	108
22	Input Clock Specification	109
23	Memory Read/Write Timing	111
24	Word I/O Read/Write Timing	113
25	PC Card Read/Write Timing When System Is 8-Bit ($\overline{\text{SBHE}}$ Tied High)	114
26	Normal Byte Read/Write Timing	115
27	16-Bit System to 8-Bit I/O Card: Odd Byte Timing	116
28	DMA Read Cycle Timing	117
29	DMA Write Cycle Timing	119
30	DMA Request Timing	120

Tables

1	ISA Bus Interface Pins	16
2	Socket Interface Pins	20
3	General-Purpose Strobe / Voltage Sense Pins	24
4	Power Control Pins.....	24
5	Power and Ground Pins	25
6	Pin Usage Summary	25
7	Chip Configuration at Power-up for Socket Support	26
8	PD67XX Power-Management Modes	34
9	16-Bit Mode Operation	35
10	8-Bit Mode Operation	35
11	Index Registers	42
12	Enabling of Socket Power Controls.....	49
13	Enabling of Outputs to Card Socket.....	49
14	Maximum DMA Acknowledge Delay Register Values.....	80
15	Functions of Socket A External Data Register	81
16	Functions of Socket B External Data Register (PD6722 only)	82
17	ATA Pin Cross-Reference	88
18	Registers for Control and Data of GPSTB Pins.....	91
19	Four Card Cycle Types for DMA-Type PC Card Interface	97
20	General DC Specifications	101
21	PC Card Bus Interface DC Specifications	101
22	ISA Bus Interface DC Specifications	102
23	Power Control Interface (+5V Powered) DC Specifications	103
24	Operating Current Specifications	103
25	List of AC Timing Specifications.....	104
26	ISA Bus Timing.....	104
27	Reset Timing	107
28	Pulse Mode Interrupt Timing	107
29	General-Purpose Strobe Timing.....	108
30	Input Clock Specification	108
31	Memory Read/Write Timing (Word Access)	111
32	Word I/O Read/Write Timing	112
33	PC Card Read/Write Timing when System Is 8-Bit	113
34	Normal Byte Read/Write Timing.....	114
35	16-Bit System to 8-Bit I/O Card: Odd Byte Timing	115
36	DMA Read Cycle Timing (PD6722 only)	116
37	DMA Write Cycle Timing (PD6722 only)	118
38	DMA Request Timing (PD6722 only)	119

Revision History

Revision	Date	Description
1.0	May 2001	Initial release.

1.0 Product Features

- Single-chip PC Card (PCMCIA) controllers
- Direct connection to ISA (PC AT) bus and one or two PC Card sockets
- Compliant with PC Card Standard, PCMCIA 2.1, and JEIDA 4.1
- 82365SL-compatible register set, ExCA™-compatible
- Automatic Low-Power Dynamic mode for lowest active power consumption
- Programmable Suspend mode
- Hardware-enabled Super Suspend mode
- Five programmable memory windows per socket and two programmable I/O windows per socket
- Programmable card access cycle timing
- 8- or 16-bit system bus interface
- 8- and 16-bit PC Card interface support
- PCMCIA-ATA and ture-IDE disk interface support
- DMA support (PD6722)
- Card-voltage sense support
- PC Card activity indicator
- Mixed-voltage operation (3.3/5.0 V)
- Single-socket interface: 144-pin LQFP for smallest form factor (PD6710)
- Dual-socket interface: 208-pin MQFP or LQFP (PD6722)

Embedded and Mobile Systems Design Priorities	Supporting Features
<ul style="list-style-type: none"> • Small Form Factor 	<ul style="list-style-type: none"> • Single-chip solutions • No external buffers for host or socket • Efficient board layout
<ul style="list-style-type: none"> • Minimum Power Consumption 	<ul style="list-style-type: none"> • Automatic Low-Power Dynamic mode • Hardware- and software-controlled Suspend modes • Mixed-voltage operation
<ul style="list-style-type: none"> • High Performance 	<ul style="list-style-type: none"> • Write cache • Programmable timing supports more cards, faster reads and writes • Automatic bus sizing for 8- or 16-bit • DMA available with the PD6722
<ul style="list-style-type: none"> • Hardware and Software Compatibility 	<ul style="list-style-type: none"> • Compliant with PC Card Standard, PCMCIA 2.1, and JEIDA 4.1 • 82365SL A-step register-compatible, ExCA™-compatible

Figure 1. System Block Diagram

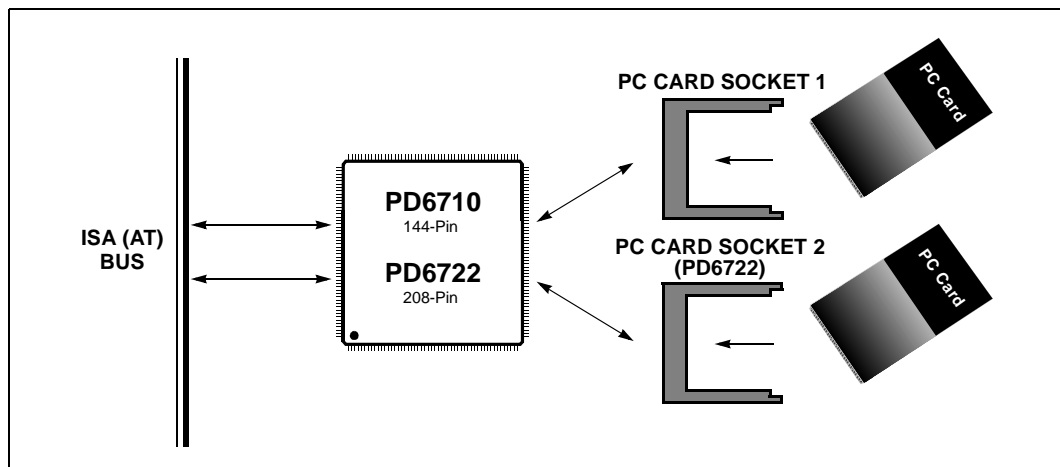
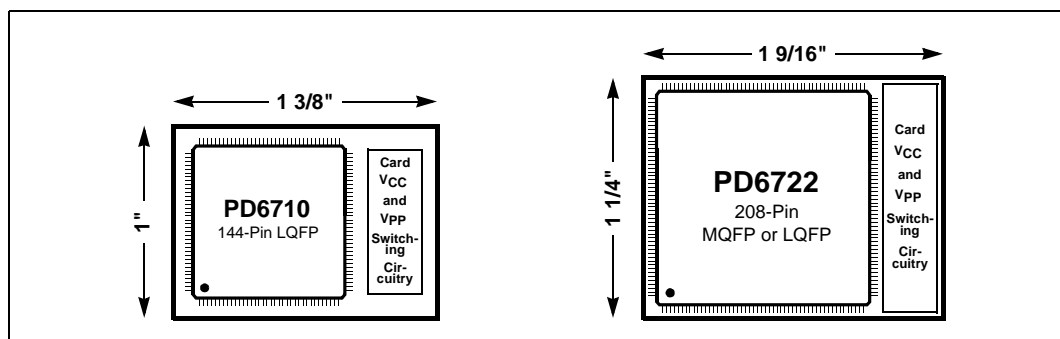


Figure 2. PC Card Controller Form Factor



2.0 General Conventions

The following general conventions apply to this document.

Throughout this document, *PD67XX* means PD6710 and PD6722.

Bits within words and words within various memory spaces are generally numbered with a 0 (zero) as the least-significant bit or word. For example, the least-significant bit of a byte is bit 0, while the most-significant bit is bit 7.

In addition, number ranges for bit fields and words are presented with the most-significant value first. Thus, when discussing a bit field within a register, the bit number of the most-significant bit is written first, followed by a colon (:) and then the bit number of the least-significant bit; as in, bits 7:0.

In this document, the names of the PD67XX internal registers are boldfaced. For example, **Chip Revision** and **Power Control** are register names. The names of bit fields are written with initial uppercase letters. For example, Card Power On and Battery Voltage Detect are bit field names.

2.1 Numbers and Units

The unit *Kbyte* designates 1024 bytes (2^{10}). The unit *Mbyte* designates 1,048,576 bytes (2^{20}). The unit *Gbyte* designates 1,073,741,824 bytes (2^{30}). The unit *Hz* designates hertz. The unit *kHz* designates 1000 Hz. The unit *MHz* designates 1,000,000 Hz. The unit *ms* designates millisecond. The unit μ s designates microsecond. The unit *ns* designates nanosecond. The unit *mA* designates milliamper. The unit *V* immediately following a number designates volt.

Hexadecimal numbers are presented with all letters in uppercase and a lowercase *h* appended. For example, *14h* and *03CAh* are hexadecimal numbers.

Binary numbers are enclosed in single quotation marks when in text. For example, '11' is a binary number.

Numbers not appended with an *h* nor enclosed by single quotation marks are decimal.

In addition, a capital letter *X* is used within numbers to indicate digits ignored by the PD67XX within the current context. For example, '101XX01' is a binary number with bits 3:2 ignored.

3.0 Pin Information

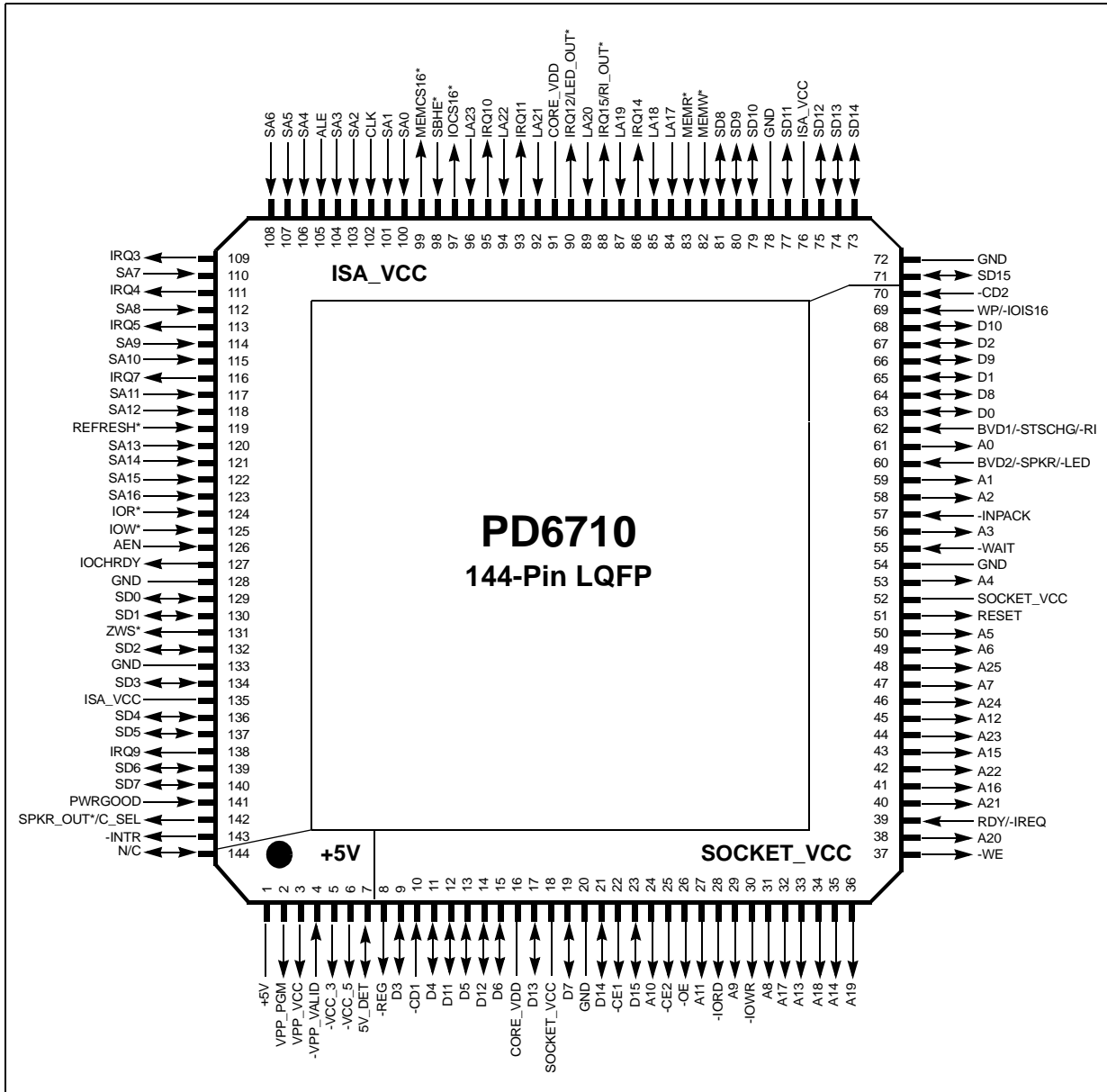
The PD6710 is available in a 144-pin VQFP (very tight-pitch quad flat pack) component package and the PD6722 is available in either a 208-pin PQFP (plastic quad flat pack) component package or a 208-pin VQFP component package. The interface pins can be divided into five groups:

- ISA (or ISA-like) bus interface pins
- PC Card socket interface pins (one or two sets)
- General-purpose strobe / voltage sense pins
- Power control pins
- Power and ground pins

Refer to [Figure 3](#) for the PD6710 and [Figure 4](#) for the PD6722 pin diagrams. The pin assignments for the groups of interface pins are shown in [Table 1](#) through [Table 5](#).

3.1 Pin Diagrams

Figure 3. PD6710 Pin Diagram



- An asterisk (*) at the end of a pin name indicates an active-low signal for the ISA bus or that is a general interface for the PD67XX.
- Pins marked with a dagger (†) in the pin description tables can be switched between CMOS and TTL input levels when CORE_VDD is powered at 5 volts. All other pins use CMOS input levels when CORE_VDD is powered at 5 volts and TTL input levels when powered at 3.3 volts.
- A pin name ending in bracketed digits separated by a colon [n:n] indicates a multi-pin bus.
- The pin number (Pin Number) column indicates the package pin that carries the listed signal. Note that multi-pin buses are listed with the first pin number corresponding to the most-significant bit of the bus. For example, pin numbers 123:120, 118, 117, 115, 114, 112, 110, 108:106, 104, 103, 101, and 100 are associated with ISA Bus Address Input and Data Input/Output pins SA[16:0] and indicate that:
 - SA16 is pin 123
 - SA15 is pin 122
 - SA0 is pin 100
- The quantity (Qty.) column indicates the number of pins used (per socket where applicable).
- The I/O-type code (I/O) column indicates the input and output configurations of the pins on the PD67XX. The possible types are defined below.
- The power-type code (Pwr.) column indicates the output drive power source for an output pin or the pull-up power source for an input pin on the PD67XX. The possible types are defined below.

I/O Type	Description
I	Input pin
O	Constant-driven output pin
I/O	Input/output pin
O-OD	Open-drain output pin
O-TS	Tristate output pin
-PU	An internal pull-up resistor is present
GND	Ground pin
PWR	Power pin

Power Type	Output or Pull-up Power Source
1	+5V: powered from a 5.0-volt power supply in most systems (see description of +5V pin in Table 5)
2	A_SOCKET_VCC: powered from the Socket A V _{CC} supply connecting to PC Card pins 17 and 51 of Socket A

Power Type	Output or Pull-up Power Source
3	B_SOCKET_VCC: powered from the Socket B V _{CC} supply connecting to PC Card pins 17 and 51 of Socket B
4	ISA_VCC: powered from the ISA bus power supply
5	CORE_VDD: usually powered from the lowest available power supply for lowest power consumption, which in most systems is 3.3 volts

Note: All pin inputs are referenced to CORE_VDD, independent of their output supply voltage.

The drive-type (Drive) column describes the output drive-type of the pin (see DC specifications in “Electrical Specifications” on page 101 for more information). Note that the drive type listed for an input-only (I) pin is not applicable (–).

3.3 Pin Descriptions

Table 1. ISA Bus Interface Pins (Sheet 1 of 4)

Pin Name	Description	Pin Number		Qty.	I/O	Pwr.	Drive
		PD6710	PD6722				
LA[23:17]	ISA Bus Address Input: Connect to ISA signals LA[23:17] or, for systems limited to 1-Mbyte address space, tie ALE high, ground LA[23:20] and connect LA[19:17] to ISA signals SA[19:17].	96, 94, 92, 89, 87, 85, 84	157, 155, 153, 151, 149, 147, 146	7	I	4	–
SA[16:0]	ISA Bus Address Input: Connect to ISA signals SA[16:0].	123:120, 118, 117, 115, 114, 112, 110, 108:106, 104, 103, 101, 100	184:181, 179, 178, 176, 175, 173, 171, 169:167, 165, 164, 162, 161	17	I	4	–
SD[15:0]	ISA Bus Data Input/Output: These pins are used to transfer data during a memory or I/O cycle. Connect to ISA signals SD[15:0]. For 8-bit system buses, leave SD[15:8] unconnected.	71, 73–75, 77, 79–81, 140, 139, 137, 136, 134, 132, 130, 129	134–137, 139, 141–143, 200, 199, 197, 196, 194, 193, 190, 189	16	I/O	4	12 mA
SBHE*	Byte High Enable: This input is used in conjunction with SA[0] to specify the width and alignment of a data transfer. Connect to ISA signal SBHE*. For 8-bit system buses, pull up connect to ISA_VCC supply.	98	159	1	I	4	–
IOR*	I/O Read: This input indicates that a host I/O read cycle is occurring. Connect to ISA signal IOR*.	124	185	1	I	4	–
IOW*	I/O Write: This input indicates that a host I/O write cycle is occurring. Connect to ISA signal IOW*.	125	186	1	I	4	–

Table 1. ISA Bus Interface Pins (Sheet 2 of 4)

Pin Name	Description	Pin Number		Qty.	I/O	Pwr.	Drive
		PD6710	PD6722				
MEMR*	Memory Read: This input indicates that a host memory read cycle is occurring. Connect to ISA signal MEMR*.	83	145	1	I	4	–
MEMW*	Memory Write: This input indicates that a host memory write cycle is occurring. Connect to ISA signal MEMW*.	82	144	1	I	4	–
REFRESH*	Refresh: This input indicates a memory refresh cycle is occurring and will cause the PD67XX to ignore memory accesses on the bus. Connect to ISA signal REFRESH*.	119	180	1	I	4	–
ALE	Address Latch Enable: A high on this input indicates a valid memory address on the LA[23:17] bus lines. Connect to ISA signal BALE.	105	166	1	I	4	–
PWRGOOD	Power Good: The PD67XX will be reset when the POWERGOOD input is low. Connect to the POWERGOOD signal from the system power supply; or, if not available, connect to inverted RESETDRV signal from ISA bus.	141	201	1	I	4	–
AEN	Address Enable: This is an input from the host CPU bus signal that distinguishes between DMA and non-DMA bus cycles. This input should be high for a DMA cycle and will cause the PD67XX to ignore IOR* and IOW* except when a PD6722 is configured for DMA and its DREQ (IRQ10) and DACK* (IRQ9) signals are active. Connect to ISA signal AEN. When PD67XX is in Suspend mode (see “Misc Control 2” on page 72), pull this input high during system power-down for lowest power consumption.	126	187	1	I	4	–
MEMCS16*	Memory Select 16: This output is an acknowledge of 16-bit-wide access support and is generated by the PD67XX when a valid 16-bit-word-accessible memory address has been decoded. Connect to ISA signal MEMCS16*.	99	160	1	O-OD	4	16 mA
IOCS16*	I/O Select 16: This output is an acknowledge for 16-bit-wide access support and is generated by the PD67XX when a valid 16-bit word accessible I/O address has been decoded. Connect to ISA signal IOCS16*.	97	158	1	O-OD	4	16 mA
IOCHRDY	I/O Channel Ready: This output is driven low by the PD67XX to lengthen host cycles. Connect to the ISA bus IOCHRDY signal.	127	188	1	O-TS	4	16 mA

Table 1. ISA Bus Interface Pins (Sheet 3 of 4)

Pin Name	Description	Pin Number		Qty.	I/O	Pwr.	Drive
		PD6710	PD6722				
IRQ[14, 11, 7, 5:3]	Interrupt Request: These outputs indicate programmable interrupt requests generated from any of a number of card actions. Although there is no specific mapping requirement for connecting interrupt lines from the PD67XX to the system, a common use is to connect these pins to the corresponding ISA signal names in the system.	86, 93, 116, 113, 111, 109	148, 154, 177, 174, 172, 170	6	O-TS	4	2 mA
IRQ9	Interrupt Request 9: In default mode this output indicates an interrupt request from one of the cards. When the PD6722 is in DMA mode (see Misc Control 2, bit 6), IRQ9 becomes an input and is connected to the ISA bus DACK* line corresponding to the ISA bus DREQ line that the IRQ10 pin is connected to. In DMA mode this signal is active-low.	138	198	1	I/O-TS	4	2 mA
IRQ10	Interrupt Request 10: In IRQ mode this output indicates an interrupt request from one of the cards. When the PD6722 is in DMA mode (see Misc Control 2, bit 6), IRQ10 is the DREQ to be connected to DREQ0, 1, 2, 3, 5, 6, 7 of the ISA bus. In DMA mode this signal is active-high.	95	156	1	O-TS	4	2 mA
IRQ12/ LED_OUT*	Interrupt Request 12 / LED Output: In default IRQ mode this output indicates an interrupt request from one of the cards, and is connected to the ISA bus IRQ12 signal. When the Drive LED Enable bit (see "Bit 4 — Drive LED Enable" on page 73) is set, this output becomes an open-drain driver for a disk-active LED (see ATA Control register bit 1) or PC Card activity LED (see Extension Control 1 register bit 2).	90	152	1	O-TS or O-OD	4	12 mA
IRQ15/ RI_OUT*	Interrupt Request 15 / Ring Indicate Output: In IRQ mode this output indicates an interrupt request from one of the cards. When the IRQ15/RI_OUT* Is RI Out bit (see "Bit 7 — IRQ15 Is RI Out" on page 74) is set to '1', this output is the -RI signal from the corresponding PC Card.	88	150	1	O-TS	4	2 mA
-INTR	Interrupt: This output indicates a management interrupt. This should be connected to the system processor's SMI or NMI interrupt input, depending on the type of processor used.	143	203	1	O-TS	4	2 mA
ZWS*	Zero Wait State: This output is connected to the ISA ZWS (0WS) signal. It is driven low by the PD67XX when it is able to complete the current memory access cycle in zero wait states.	131	191	1	O-OD	4	16 mA

Table 1. ISA Bus Interface Pins (Sheet 4 of 4)

Pin Name	Description	Pin Number		Qty.	I/O	Pwr.	Drive
		PD6710	PD6722				
SPKR_OUT*/C_SEL	<p>Speaker Out / Chip Select: This I/O pin can be used as a digital output to a speaker to allow a system to support a PC Card's - SPKR pin for fax/modem/voice and audio. During reset this pin also serves as a chip-configuration input.</p> <p>If the level on this pin is low when PWRGOOD rises, the PD6710 is configured to support cards as a PC Card Socket 2 device, and the PD6722 is configured to support cards as PC Card Socket 2 and Socket 3 devices.</p> <p>If the level on this pin is high when PWRGOOD rises, the PD6710 is configured to support cards as a PC Card Socket 0 device, and the PD6722 is configured to support cards as PC Card Socket 0 and Socket 1 devices.</p> <p>This pin is internally pulled up during reset so that default configuration of the chip as a Socket 0 (and Socket 1 for PD6722) is facilitated. Adhere to the minimum pulse-width timing specification for PWRGOOD to allow the internal pull-up to operate and ensure the default configuration. Refer to “Bit 6 — Socket Index” on page 41 for more information on chip configuration.</p> <p>After reset operations have completed, this pin defaults to high-impedance, and can then be enabled as a totem-pole speaker output by the setting of a card socket's Speaker Enable bit (Misc Control 1 register, bit 4). This output then becomes the negative polarity XOR of each socket's BVD2/-SPKR/-LED input that has its Speaker Enable bit set. For a description of socket index values, refer to Table 11.</p>	142	202	1	I/O-PU	4	12 mA
CLK	<p>Clock: This input is connected to the ISA bus OSC signal. A 14.318-MHz signal is used to derive the internal 25-MHz clock used for all socket timing. Alternately, a 25-MHz clock source can be directly connected and the internal synthesizer bypassed.</p>	102	163	1	I	4	—
-VPP_VALID	<p>In default mode this is a status input that can be used by software as an indication that the V_{PP} power supply is stable.</p> <p>When the PD6722 is in DMA mode (see Misc Control 2, bit 6), this input is connected to the TC (Terminal Count) signal of the ISA bus. In DMA mode, this signal is active-high.</p>	4	3	1	I	1	—
ISA_VCC	<p>System Bus V_{CC}: This supply pin can be set to 3.3 or 5.0 V. The ISA Bus Interface pin group (this table) operates at the voltage applied to this pin independent of the voltage applied to other pin groups.</p>	76, 135	138, 195	2	PWR	—	—



Table 2. Socket Interface Pins (Sheet 1 of 4)

Pin Name ¹	Description ²	Pin Number		Qty.	I/O	Pwr.	Drive	
		PD6710	PD6722					
			Socket A					Socket B
-REG	<p>Register Access: In Memory Card Interface mode, this output chooses between attribute and common memory. In I/O Card Interface mode for non-DMA transfers, this signal is active (low).</p> <p>For DMA cycles on the PD6722 to a DMA-capable card, -REG is inactive during I/O cycles to indicate a DMA cycle to or from the PC Card.</p> <p>In ATA mode, this signal is always inactive.</p>	8	8	71	1	O-TS	2 or 3	2 mA
A[25:0]	PC Card socket address outputs.	48, 46, 44, 42, 40, 38, 36, 34, 32, 41, 43, 35, 33, 45, 27, 24, 29, 31, 47, 49, 50, 53, 56, 58, 59, 61	48, 46, 44, 42, 40, 38, 36, 34, 32, 41, 43, 35, 33, 45, 25, 21, 28, 30, 47, 49, 50, 53, 55, 57, 58, 60	110, 108, 106, 104, 102, 100, 98, 96, 94, 103, 105, 97, 95, 107, 89, 85, 91, 93, 109, 112, 113, 115, 118, 120, 121, 123	26	O-TS	2 or 3	2 mA
D[15:0] †	PC Card socket data I/O signals.	23, 21, 17, 14, 12, 68, 66, 64, 19, 15, 13, 11, 9, 67, 65, 63	20, 18, 16, 14, 12, 67, 65, 63, 17, 15, 13, 11, 9, 66, 64, 62	84, 82, 80, 77, 75, 130, 128, 126, 81, 78, 76, 74, 72, 129, 127, 125	16	I/O	2 or 3	2 mA
-OE	<p>Output Enable: For non-DMA transfers, this output goes active (low) to indicate a memory read from the socket.</p> <p>During a DMA write (when -IORD is active) this output goes low if the ISA output TC is active (high), indicating to the card that the system's terminal count signal is active. During DMA reads (when -LOWR is active), this output remains high.</p>	26	23	87	1	O-TS	2 or 3	2 mA

1. ¹To differentiate the sockets, all PD6722 pin names have either A_ or B_ prepended to the pin names indicated. For example, A_A[25:0] and B_A[25:0] are the independent address buses to the sockets.

2. ²When a socket is configured as an ATA drive interface, socket interface pin functions change. See [Table 17 on page 88](#).

Table 2. Socket Interface Pins (Sheet 2 of 4)

Pin Name ¹	Description ²	Pin Number			Qty.	I/O	Pwr.	Drive
		PD6710	PD6722					
			Socket A	Socket B				
-WE	<p>Write Enable: For non-DMA transfers, this signal goes active (low) to indicate a memory write to the socket.</p> <p>During a DMA read (when -IOWR is active), this signal goes low if the ISA output TC is active (high), indicating to the card that the system's terminal count signal is active. During DMA writes (when -IORD is active), this output remains high.</p>	37	37	99	1	O-TS	2 or 3	2 mA
-IORD	<p>I/O Read: This output is driven low for I/O reads from the socket.</p>	28	26	90	1	O-TS	2 or 3	2 mA
-IOWR	<p>I/O Write: This output is driven low for I/O writes to the socket.</p>	30	29	92	1	O-TS	2 or 3	2 mA
WP/ -IOIS16 †	<p>Write Protect / I/O Is 16-Bit: In Memory Card Interface mode (Interrupt and General Control register, bit 5 is equal to '0'), this input is the status of the PC card write protect switch.</p> <p>In I/O Card Interface mode, a low on this input indicates that the I/O address being accessed is capable of 16-bit operation.</p> <p>In DMA mode, this pin can be programmed as the -DREQ input from a DMA-capable PC Card.</p>	69	68	131	1	I-PU	2 or 3	–
-INPACK †	<p>Input Acknowledge: This input indicates to the PD67XX that the PC Card supports I/O access at the current address. A PC Card activates this input during IORD cycles to which the card can respond.</p> <p>In DMA mode, this pin can be programmed as the -DREQ input from a DMA-capable PC Card.</p>	57	56	119	1	I-PU	2 or 3	–
RDY/ -IREQ †	<p>Ready / Interrupt Request: In Memory Card Interface mode, this input is readable as the status of bit 5 of the Interface Status register, which is used by a PC Card to signal system software of its ready or busy state.</p> <p>In I/O Card Interface mode, this active-low input indicates an interrupt request.</p>	39	39	101	1	I-PU	2 or 3	–
-WAIT †	<p>Wait: This input indicates to the PD67XX that the current card access cycle is to be extended until this signal becomes inactive (high).</p>	55	54	116	1	I-PU	2 or 3	–

1. ¹To differentiate the sockets, all PD6722 pin names have either A_ or B_ prepended to the pin names indicated. For example, A_A[25:0] and B_A[25:0] are the independent address buses to the sockets.

2. ²When a socket is configured as an ATA drive interface, socket interface pin functions change. See [Table 17 on page 88](#).



Table 2. Socket Interface Pins (Sheet 3 of 4)

Pin Name ¹	Description ²	Pin Number			Qty.	I/O	Pwr.	Drive
		PD6710	PD6722					
			Socket A	Socket B				
-CD[2:1]	Card Detect: These inputs indicate to the PD67XX the presence of a card in the socket. They are pulled high internally in the chip.	70, 10	69, 10	132, 73	2	I-PU	1	–
-CE[2:1]	Card Enable: These outputs are driven low by the PD67XX during card access cycles to control byte/word card access. -CE1 enables even-numbered address bytes and -CE2 enables odd-numbered address bytes. When configured for 8-bit cards, only -CE1 will be active and A0 will be set to '1' for odd-byte accesses.	25, 22	22, 19	86, 83	2	O-TS	2 or 3	2 mA
RESET	Reset: This output will be high to reset the card and low for normal operation. To reduce power consumption of idle cards and to prevent reset glitches to a card, this signal is high-impedance unless a card is fully seated in the socket and card interface signals are enabled.	51	51	114	1	O-TS	2 or 3	2 mA

1. ¹To differentiate the sockets, all PD6722 pin names have either A_ or B_ prepended to the pin names indicated. For example, A_A[25:0] and B_A[25:0] are the independent address buses to the sockets.
 2. ²When a socket is configured as an ATA drive interface, socket interface pin functions change. See [Table 17 on page 88](#).

Table 2. Socket Interface Pins (Sheet 4 of 4)

Pin Name ¹	Description ²	Pin Number		Qty.	I/O	Pwr.	Drive	
		PD6710	PD6722					
			Socket A					Socket B
BVD2/ -SPKR/ -LED †	<p>Battery Voltage Detect 2 / Speaker / LED: In Memory Card Interface mode, this input serves as the BVD2 or battery warning status input.</p> <p>In I/O Card Interface mode, this input can be configured as a card's -SPKR binary audio input. For disk-drive support, BVD2/-SPKR/-LED can also be configured as a drive-status LED input.</p> <p>In DMA mode, this pin can be programmed as the -DREQ input from a DMA-capable PC Card.</p>	60	59	122	1	I-PU	2 or 3	–
BVD1/ -STSCHG/ -RI †	<p>Battery Voltage Detect 1 / Status Change / Ring Indicate: In Memory Card Interface mode, this input serves as BVD1 (Battery Dead Status) input.</p> <p>In I/O Card Interface mode, this input is the -STSCHG input, which indicates to the PD67XX that the card's internal status has changed. In I/O Card Interface mode, this input can alternately be used as -RI ring indicate when IRQ15/RI_OUT* is configured for RI Out (see "Bit 7 — IRQ15 Is RI Out" on page 74).</p>	62	61	124	1	I-PU	2 or 3	–
SOCKET_ VCC	Connect these pins to the V _{CC} supply of the socket (pins 17 and 51 of the respective PC Card socket). These pins can thus be 0, 3.3, or 5 V, depending on card presence, card type, and system configuration. The socket interface outputs (listed in this table) will operate at the voltage applied to these pins, independent of the voltage applied to other PD67XX pin groups.	18, 52	24, 52	88, 117	2	PWR	–	–

1. ¹To differentiate the sockets, all PD6722 pin names have either A_ or B_ prepended to the pin names indicated. For example, A_A[25:0] and B_A[25:0] are the independent address buses to the sockets.

2. ²When a socket is configured as an ATA drive interface, socket interface pin functions change. See [Table 17 on page 88](#).

Table 3. General-Purpose Strobe / Voltage Sense Pins

Pin Name	Description	Pin Number			Qty.	I/O	Pwr.	Drive
		PD6710	PD6722					
			Socket A	Socket B				
GPSTB	General-Purpose Strobe: Connect A_GPSTB to pin 43 and B_GPSTB to pin 57 on PC Card socket. This pin can be used with external logic to sense pins VS1 and VS2 of the socket. It is only available on the PD6722. ^{1,2}	–	6	7	1	I-PU/ O- OC	1	2 mA
5V_DET	This status input is used to detect 5 V/ 3.3 V on PCMCIA pin 57.	7	–	–	1	I-PU	1	N/A

1. General-purpose strobe controlled by 'Socket A' (index 2Eh/2Fh) Extension Control 2 register at extended index 0Bh.
 2. General-purpose strobe controlled by 'Socket B' (index 6Eh/6Fh) Extension Control 2 register at extended index 0Bh.

Table 4. Power Control Pins

Pin Name	Description	Pin Number			Qty.	I/O	Pwr.	Drive
		PD6710	PD6722					
			Socket A	Socket B				
VPP_VCC	This output is used to enable the socket V _{CC} supply onto the V _{PP} pin. This pin is mutually exclusive with VPP_PGM.	3	2	205	1	O	1	12 mA
VPP_PGM	This output is used to enable the programming voltage supply onto the V _{PP} pin. This pin is mutually exclusive with VPP_VCC.	2	1	204	1	O	1	12 mA
-VCC_3	This output is used to enable a 3.3V supply onto the V _{DD} socket. This pin is mutually exclusive with -VCC_5.	5	4	206	1	O	1	12 mA
-VCC_5	This output is used to enable a 5V supply onto the V _{DD} socket. This pin is mutually exclusive with -VCC_3.	6	5	207	1	O	1	12 mA

Table 5. Power and Ground Pins

Pin Name	Description	Pin Number		Qty.	I/O	Pwr.	Drive
		PD6710	PD6722				
+5V	This pin is connected to the system's 5-volt power supply. In systems where 5 volts is not available, this pin can be connected to the system's 3.3-volt supply (but 5-volt-only PC Cards will not be supported).	1	208	1	PWR	–	–
CORE_VDD	This pin provides power to the core circuitry of the PD67XX. It can be connected to either a 3.3- or 5-volt power supply, independent of the operating voltage of other interfaces. For power conservation on a system with a 3.3-volt supply available, this pin should be connected to the 3.3-volt supply even if there is no intention of operating other interfaces on the device at less than 5 volts.	16, 91	27, 133	2	PWR	–	–
GND	All ground pins should be connected to system ground.	20, 54, 72, 78, 128, 133	31, 70, 79, 111, 140, 192	6	GND	–	–

Table 6 below summarizes the pin usage.

Table 6. Pin Usage Summary

Pin Group	Pin Quantity	
	PD6710	PD6722
ISA bus interface pins	69	69
Socket interface pins	60	120
General-purpose strobe pins	0	2
Voltage sense pins	1	0
N/C	1	0
Power control pins	4	8
Power and ground pins	9	9
Total:	144	208

3.4 Power-On Configuration Summary

On the rising edge of PWRGOOD, the PD67XX latches the configuration pin SPKR_OUT*/C_SEL to determine which sockets are addressed by this device. A '1' on the SPKR_OUT*/C_SEL pin will cause the device to address Socket 0 (and Socket 1 for the PD6722). A '0' on this pin will cause the device to address Socket 2 (and Socket 3 for the PD6722).



Table 7. Chip Configuration at Power-up for Socket Support

SPKR_OUT*/C_SEL Level at Rising Edge of PWRGOOD	PD6710	PD6722	
	Socket Interface Support	Socket A Interface Support	Socket B Interface Support
High	PC Card Socket 0 3E0 Index 00h–3Fh	PC Card Socket 0 3E0 Index 00h–3Fh	PC Card Socket 1 3E0 Index 40h–7Fh
Low	PC Card Socket 2 3E0 Index 80h–BFh	PC Card Socket 2 3E0 Index 80h–BFh	PC Card Socket 3 3E0 Index C0h–FFh

4.0 Introduction

4.1 System Architecture

This section describes PC Card basics, windowing, interrupts, PD67XX power management, socket power management, write FIFO, bus sizing, programmable PC Card timing, and ATA and DMA mode operation.

4.1.1 PC Card Basics

PCMCIA is an abbreviation for Personal Computer Memory Card International Association. PC Card Standard is a standard for using memory and I/O devices as insertable, exchangeable peripherals for PCs (personal computers) and handheld computers. For simpler end-user and vendor implementation of the standard, systems employing PC Card Standard should also be backward-compatible with industry-standard PC addressing.

Note: The PD67XX is backward-compatible with PCMCIA standards 1.0, 2.0, 2.01, and 2.1. The PD67XX is also compatible with JEIDA 4.1 and its earlier standards corresponding with the PCMCIA standards above.

The memory information for memory-type PC Cards must be mapped into the system memory address space. This is accomplished with a ‘windowing’ technique that is similar to expanded memory schemes already used in PC systems (for example, LIM 4.0 memory manager).

PC Cards can have *attribute* and *common* memory. Attribute memory is used to indicate to host software the capabilities of the PC Card, and it allows host software to change the configuration of the card. Common memory can be used by host software for any purpose (such as flash file system, system memory, and floppy emulation).

I/O-type PC Cards, such as modem network cards, should also be directly addressable, as if the cards were I/O devices plugged into the system bus. For example, it would be highly desirable to have a PC Card modem accessible to standard communications software as if it were at a COM port. For COM1, this would require that the modem be accessed at system I/O address 3F8h–3FFh. The method of mapping a PC Card I/O address into anticipated areas of ISA I/O space is done similarly to memory windowing.

I/O-type PC Cards usually have interrupts that need to be serviced by host software. For the example of a modem card accessed as if at COM1, software would expect the modem to generate interrupts on the IRQ4 line. To be sure all interrupts are routed as expected, the PD67XX can steer the interrupt from the PC Card to one of several standard PC interrupts (see “[Interrupts](#)” on page 30 and the “[Interrupt and General Control](#)” on page 51).

4.1.2 PD67XX Windowing Capabilities

For full compatibility with existing software, and to ensure compatibility with future memory cards and software, the PD67XX provides five programmable memory windows per socket and two programmable I/O windows per socket. These windows can be used by an inserted PC Card to access ISA memory and I/O space.

Having five memory windows per socket allows a memory-type card to be accessed through four memory windows programmed for common memory access (allowing PC-type expanded-memory-style management), leaving the fifth memory window available to be programmed to access the card's attribute memory without disrupting the common memory in use.

Each of the five memory windows has several programming options, including:

Memory Window Option	Description
Enabled	Each of the five memory windows can be individually enabled. Disabled windows are not responded to.
Start Address	The starting address of the window is programmable on 4-Kbyte boundaries starting at 64 Kbytes (1000h) with a maximum address of 16 Mbyte.
End Address	The ending address of the window is programmable on 4-Kbyte boundaries starting at 64 Kbytes (1000h) with a maximum address of 16 Mbyte. Only memory accesses between the starting and ending address are responded to.
Offset Address	The offset address is added to the ISA address to determine the address for accessing the PC Card. This allows the addresses in the PC Card address space to be different from the ISA address space.
Data Size	The size of accesses can be set manually to either 8 or 16 bits.
Timing	The timing of accesses (Setup/Command/Recovery) can be set by either of two timing register sets: Timer Set 0 or Timer Set 1.
Register Access Setting	The -REG pin can be enabled on a per-window basis so that any of the windows can be used for accessing attribute memory.
Write Protect	If the window is programmed to be write-protected, then writes to the memory window are ignored (reads are still performed normally).

Each of the two I/O windows has several programming options, including:

I/O Window Option	Description
Enabled	Each of the two I/O windows can be individually enabled.
Start Address	The starting address of the window is programmable on single-byte boundaries from 0 to 64 Kbytes.
End Address	The ending address of the window is also programmable on single-byte boundaries from 0 to 64 Kbytes.
Offset Address	The offset address is added to the ISA address to determine the address for accessing the PC Card.
Auto Size	The size of accesses can be set automatically, based on the PC Card -IOIS16 signal.
Data Size	The size of accesses can be set manually to either 8 or 16 bits, overriding the Auto Size option.
Timing	The timing of accesses (Setup/Command/Recovery) can be set by either of two timing register sets: Timer Set 0 or Timer Set 1.

Caution: The windows of the PD67XX should never be allowed to overlap with each other or the other devices in the system. This would cause collisions in the IOCS16*, MEMCS16*, IOCHRDY, and SD[15:0] signals, resulting in erratic behavior.

Figure 5. Memory Window Organization

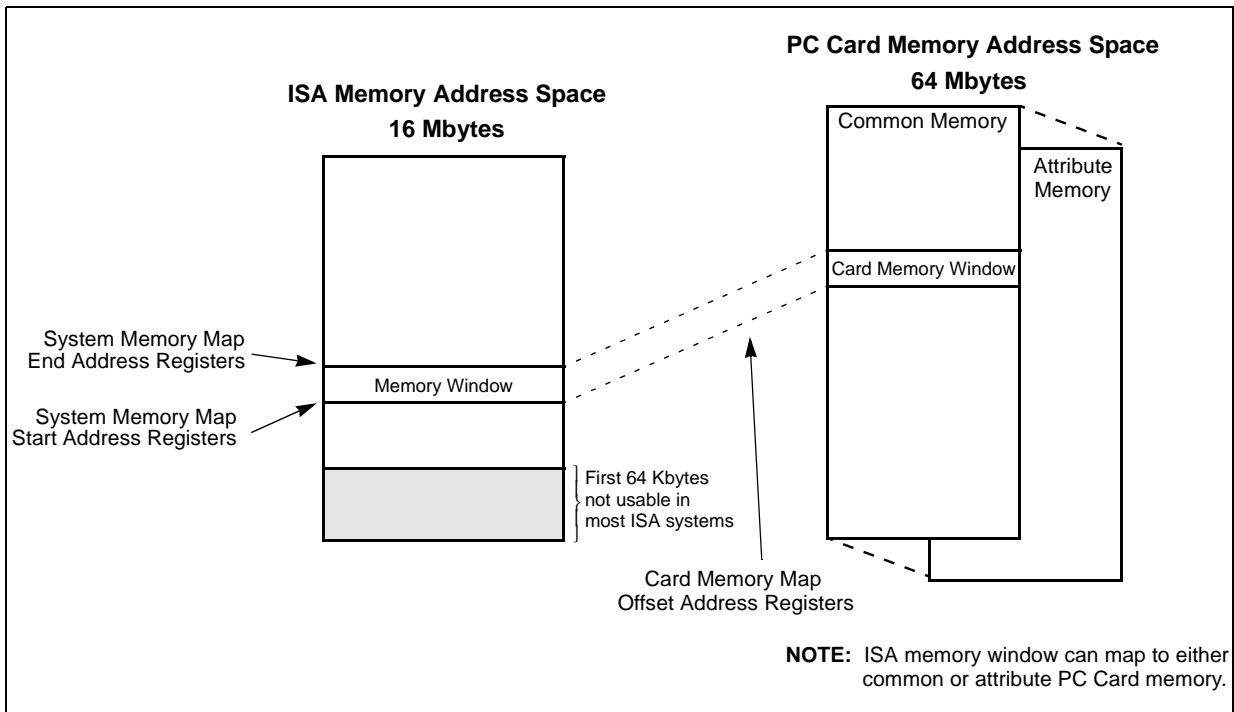
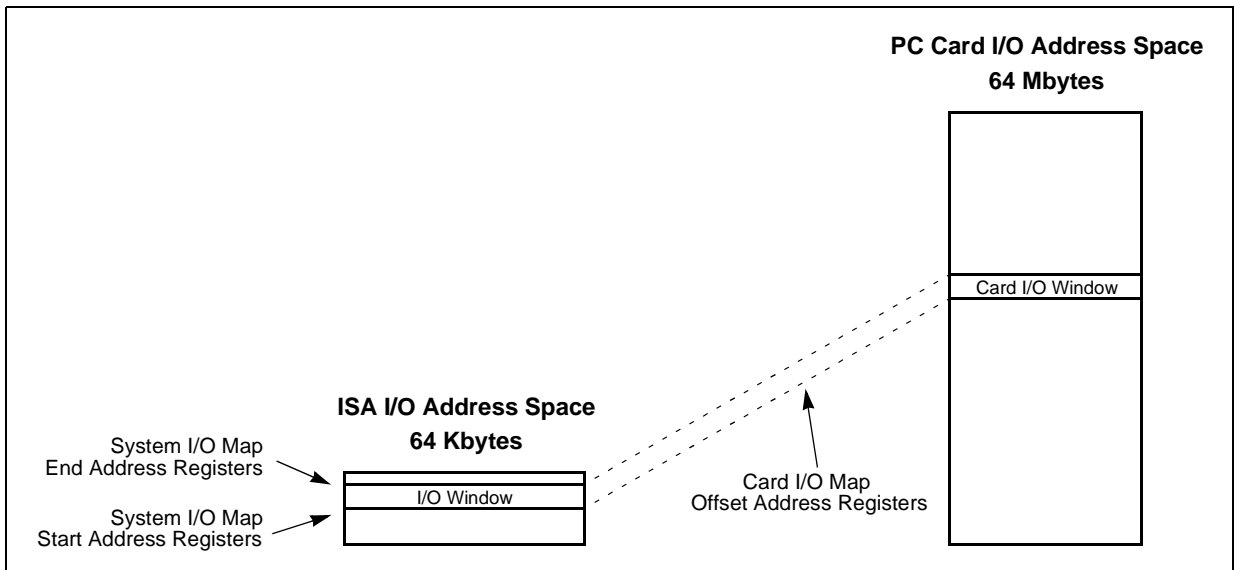
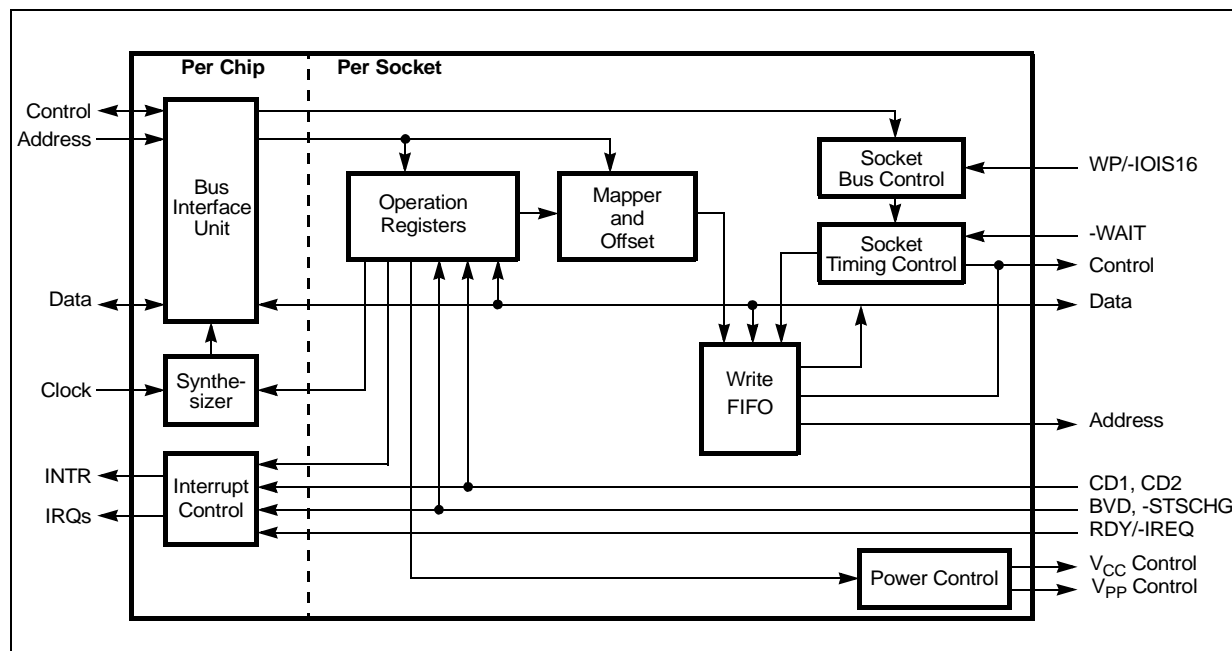


Figure 6. I/O Window Organization



4.1.3 PD67XX Functional Blocks

Figure 7. Functional Block Diagram



4.1.4 Interrupts

The PD67XX provides ten interrupt pins that are labeled with names suggesting their mapping in the system, though there are no hard requirements specifying the exact mapping. Typically, all ten interrupt pins should be connected to system interrupt signals to allow maximum flexibility in programming interrupt routing from the PD67XX.

Classes of Interrupts

The PD67XX supports two classes of interrupts:

- Socket or card interrupts initiated by the PC Card activating its RDY/-IREQ signal
- Management interrupts triggered by changes in PC Card status, including:
 - Card insertion or removal
 - Battery warning indicator (BVD2) change on a memory-type card
 - Battery dead indicator (BVD1) or I/O-type card status change (-STSCHG)
 - Ready (RDY) status change on a memory-type card

Either class of interrupts can be routed to any of the ten interrupt pins on the PD67XX.

Connection of Interrupt Pins

IRQ interrupts in PC-compatible systems are not generally shared by hardware. Therefore, each device in the system using IRQ interrupts must have a unique interrupt line. Additionally, many software applications assume that certain I/O devices use specific IRQ signals. To allow PC Cards with differing I/O functionalities to be connected to appropriate nonconflicting IRQ locations, the PD67XX can steer the interrupt signal from a PC Card to any one of the ten different hardware interrupt lines.

For some I/O-type cards, software is written so that IRQ interrupts can be shared. The PD67XX contains unique logic that allows IRQ interrupts to be shared under software control. This is accomplished by programming the PD67XX to alternately pulse and then three-state the desired interrupt pin, which has been programmed as an IRQ output. This unique IRQ interrupt sharing technique can be controlled through software so that systems incapable of IRQ sharing have no loss of functionality.

4.1.5 Alternate Functions of Interrupt Pins

The PD67XX has two interrupt pins that can be programmed for alternate functions: IRQ12/LED_OUT* and IRQ15/RI_OUT*. In addition, the PD6722 allows IRQ9 and IRQ10 to be programmed for system DMA transfer handshake functions.

4.1.5.1 IRQ12 as LED_OUT* Driver

If a disk-activity or card-cycle-activity indicator is desired, IRQ12/LED_OUT* can be programmed as an open-collector LED driver, capable of driving most common LEDs. There is no specific bit that programs the IRQ12 pin to become an LED driver; instead, whenever a socket interface is programmed to support a drive status LED input or is programmed to show card activity on the LED (as described below), the IRQ12 pin becomes reconfigured as an open-collector LED driver.

The **Extension Control 1** register's LED Activity Enable bit (extended index 03h bit 2) is used to enable the LED being used to show card activity. When this bit is set, any type of read or write cycles to the respective socket cause the IRQ12/LED_OUT* signal to be driven low for the duration of the card activity.

The Drive LED Enable bit (**Misc Control 2** register bit 4) is used to enable the BVD2/-SPKR/-LED input from an I/O-interfaced card to be interpreted as a drive LED input, where an open-collector signal driven low on this input will cause the IRQ12/LED_OUT* open-collector output to go low.

Any combination of settings of LED Activity Enable and Drive LED Enable bits can be used on each socket, with each type of activity being able to separately cause the LED to be illuminated. Status from non-present or non-activated cards is automatically masked off from causing the IRQ12/LED_OUT* signal to be driven low.

4.1.5.2 IRQ15 as RI_OUT*

If the capability to 'wake up' a system on an incoming phone call to a PC Card modem is desired, it may be necessary in some systems to use a dedicated wakeup signal to the system's SMI or NMI controller to facilitate this instead of using the normal interrupt connections. If this is the case, the IRQ15 connection can be reprogrammed to pass through a qualified version of an I/O interfaced card's -RI signal.

IRQ15/RI_OUT* is programmed as RI_OUT* by programming the IRQ15 Is RI Out bit (**Misc Control 2** register 1Eh bit 7) to '1'. Then if a particular socket supporting a modem is to have its BVD1/-STSCHG/-RI pin passed to the IRQ15/RI_OUT* pin, that socket's Ring Indicate Enable bit (**Interrupt and General Control** register 03h bit 7) should be set to '1'.

When the PD67XX is configured this way, a low level at the BVD1/-STSCHG/-RI pin on an I/O interfaced PC Card will cause the IRQ15/RI_OUT* signal to become active-low (because it is intended to be connected to an SMI* or NMI* input on the system processor or core logic). To prevent multiple SMI or NMI interrupts from occurring on one ring condition, the IRQ15/RI_OUT* pin remains low until ISA bus activity resumes, indicated by the resumption of ISA bus memory or I/O reads or writes.

4.1.5.3 IRQ9 as DACK* and IRQ10 as DRQ

When a PD6722 is to be used for DMA support, IRQ9 is programmed as a DACK* input from an ISA bus DACK* signal selected by the system designer. Similarly, IRQ10 is programmed as an active-high DRQ output to the ISA bus and should be connected to the system bus DRQ signal corresponding to that used for DACK*.

IRQ9 and IRQ10 are thus redefined for DMA cycle support by the setting of the DMA System bit (**Misc Control 2** register 1Eh, bit 6) to '1'. Setting the DMA System bit redefines these ISA interface signals but does not cause DMA to a card to be enabled.

4.1.6 General-Purpose Strobe Feature

The PD6722 has capability to use two pins as general-purpose strobes. This is a feature that causes a pin programmed as a general-purpose strobe to appear in software as an extended register in the PD6722 register set, while in reality accesses to this extended register cause the general-purpose strobe pin to go active during the register access. The strobe can be programmed to activate on reads or writes to this virtual extended register, allowing straightforward single-chip implementation of an 8-bit general purpose read or write port.

“Using GPSTB Pins for External Port Control (PD6722 only)” on page 91 provides detailed information on how this port can be used.

4.1.7 Voltage Sense Pins

The PD6710 provides a single pin to detect 5 V or 3.3 V on pin 57 of the PC Card.

The PD6722 can be simply configured for dual-socket VS1 and VS2 detection with an external read port consisting of half of a '244 buffer or other similar device, enabled by the B_GPSTB pin programmed as a read port.

“VS1# and VS2# Voltage Detection” on page 95 provides detailed information on the programming model for VS1 and VS2 detection and how connections are made to achieve this functionality.

4.1.8 PD67XX Power Management

To provide the longest possible battery life, the PD67XX provides many power management features, including Low-Power Dynamic mode, Suspend mode, and control of PC Card socket power.

Low-Power Dynamic mode is transparent to the ISA bus. After reset, the PD67XX is configured for Low-Power Dynamic mode. This mode can be turned off by setting **Misc Control 2** register, bit 1 to '0'. When in Low-Power Dynamic mode, periods of inactivity (no activity on the PC Card bus and system accesses to chip registers or inserted cards are no longer being performed) cause the PD67XX to enter a low-power state where the clock is turned off to most of the chip and the PC Card address and data lines are set to a static value. V_{CC} and V_{PP} power to the card is left unchanged. When there is activity present on the PC Card bus, or the system accesses PD67XX registers, or PC Cards are inserted or removed from the socket, the PD67XX enters its active state, services the transaction, and then returns to its low-power state.

A Suspend mode can also be programmed. The PD67XX Suspend mode is the chip's lowest software-controlled power mode. The PD67XX is put into Suspend mode by setting the **Misc Control 2** register, bit 2 to '1'. In Suspend mode, all the internal clocks are turned off, and only read/write access to the **Index** register and write access to the **Misc Control 2** register is supported. All accesses to the PC Cards are ignored when in Suspend mode. V_{CC} and V_{PP} power to the card is left unchanged (the system power management software is responsible for turning off power to the socket and entering Suspend mode). Interrupts and ring indicate signals are passed through to the system bus when in Suspend mode. To exit Suspend mode, the **Misc Control 2** register bit 2 must be reset to '0'. It requires 50 ms for the PD67XX to restart the internal clock synthesizer and become active again.

In addition to the software suspend, if the system hold's the AEN signal of the PD67XX high, a hardware-assisted Super-Suspend mode occurs where ISA inputs to the chip are internally shut off. Internal in the PD67XX, the ISA inputs are ignored and floating conditions on the ISA bus will not cause high current flow in the PD67XX ISA input receivers. Since the ISA bus inputs to the core logic of the PD67XX are also not toggling when AEN is set high, power consumption is further reduced. Interrupts and ring indicate signals are passed through to the system bus when in Super-Suspend mode

The PD67XX power can be further managed by controlling socket power as outlined in [“Socket Power Management Features” on page 34](#). Socket power can be turned on and off through software or automatically when cards are inserted or removed. The PD67XX provides six pins per socket for controlling external logic to switch V_{CC} and V_{PP} voltages on and off and for sensing a card's operating voltage range. Cards can be turned off when not in use.

Table 8. PD67XX Power-Management Modes

Mode Name	PWRGOOD Level	AEN	Misc Control 2 Register		Functionality	Typical Power Consumption (CORE_VDD = 3.3 V, ISA_VCC, SOCKET_VCC, and +5V = 5.0 V)
			Suspend Mode (Bit 2)	Low-Power Dynamic Mode (Bit 1)		
Low-Power Dynamic (Default)	High	Normal	0	1	Full functionality	< 45 mW high activity, 9–14 mW normal system activity
Normal	High	Normal	0	0	Full functionality	< 85 mW high activity, 18 mW normal system activity
Suspend (Software Controlled)	High	Normal	1	–	8-bit access to Misc Control 2 register. No other register access. No card in socket(s).	< 2 mW
Super-Suspend (Hardware Controlled)	High	Static High	1	–	No register access. No card in socket(s). System bus signals disabled (clock off).	< 1 mW
Reset	Low ¹	–	–	–	No register access. No card in socket(s). System bus signals disabled.	9–14 mW

1. IOR*, IOW*, MEMR*, and MEMW* must be held high when PWRGOOD is low to prevent manufacturing test mode outputs from driving the system data bus

4.1.9 Socket Power Management Features

Card Removal

When a card is removed from a socket, the PD67XX by default automatically disables the V_{CC} and V_{PP} supplies to the socket. If **Extension Control 1** register bit 1 is '0', card power is prevented from being automatically disabled when a card is removed. The PD67XX can also be configured to have management interrupts notify software of card removal.

Card Insertion

Power to the socket is off at reset and whenever there is no card in a socket. When a card is detected (card detect input pins, -CD1 and -CD2, to the PD67XX become asserted low), two independent actions can be programmed to occur.

If the PD67XX has been set for automatic power-on (**Power Control** register bits 4 and 5 are both '1'), the PD67XX automatically enables the socket V_{CC} supply (and, if so programmed, the V_{PP} supply).

If the PD67XX has been programmed to cause management interrupts for card-detection events, assertion of -CD1 and -CD2 to the PD67XX causes a management interrupt to inform system software that a card was inserted. In the case of manual power detection (**Power Control** register

bit 5 is '0'), system software can determine the card's operating voltage range and then power-up the socket and initialize the card (or simply initialize the card if programmed for automatic power-on (**Power Control** register bit 5 is '1' and **Extension Control 1** register bit 1 is '1')).

4.1.10 Write FIFO

To increase performance when writing to PC Cards, two, independent, four-word-deep write FIFOs are used. Writes to PC Cards will complete without wait states until the FIFO is full. Register states should not be changed until the write FIFO is empty.

4.1.11 Bus Sizing

The PD67XX incorporates logic to automatically detect its connection to 8- or 16-bit buses. This is accomplished by sensing SBHE* input activity. If the SBHE* pin is always high (that is, tied to ISA_VCC), the PD67XX operates in 8-bit mode where all transfers occur on the lower data bus, bits 7:0. Any occurrence of the SBHE* going low triggers the PD67XX to operate thereafter as a 16-bit device. 16-bit operation of the PD67XX is properly triggered when the SBHE* input is connected to the system's SBHE* signal. When the PD67XX is operating in 16-bit mode, all ISA bus transactions are 16-bit whenever possible, even if installed PC cards only support 8-bit transfers. In 16-bit mode, the signals SBHE* and SA0 are used to specify the width of the data transfer and the location of data on the bus (which byte lane has the data) during 8-bit transfers. The possible combinations for SBHE* and SA0 are shown in [Table 9](#) and [Table 10](#)

Table 9. 16-Bit Mode Operation

16-Bit Mode Transfer Types	SBHE*	SA0
Word	0	0
Upper Byte/Odd Address	0	1
Low Byte/Even Address	1	0
Not Valid	1	1

Table 10. 8-Bit Mode Operation

8-Bit Mode Transfer Types ¹	SA0
Even Address	0
Odd Address	1
1. The SBHE* signal is pulled up. If the SBHE* signal remains high, the PD67XX causes all transfers to occur on D[7:0] only	

Typically, there are three types of data transfers to and from the PD67XX:

- 16-Bit Transfer from 16-Bit Processor** — The CPU puts the address on the bus. Then the PD67XX identifies the address on the bus as either an 8- or 16-bit transfer. If the transfer is identified as 16-bit, the host acknowledges with the appropriate signal, either MEMCS16* or IOCS16*. Data is transferred to/from the data bus as a word on both byte lanes.
- 8-Bit Transfer from 16-Bit Processor** — The CPU puts the address on the bus. Then the PD67XX identifies the address on the bus as either an 8- or 16-bit transfer. In this case, the transfer is identified as an 8-bit transfer. The host queries SA0 and SBHE* to determine the

byte lane on which the transfer is to occur. The data is transferred to/from the data bus (see Table 9).

- **8-Bit Transfer from 8-Bit Processor** — The CPU puts the address on the bus. The host determines that it will be an 8-bit transfer since the SBHE* signal has been tied high. The PD67XX queries SA0 to determine if the byte is odd/even. The data is transferred to/from the Data bus (D[7:0]).

4.1.12 Programmable PC Card Timing

The Setup, Command, and Recovery time for the PC Card bus is programmable (see “[Timing Registers](#)” on page 84). The PD67XX can be programmed to match the timing requirements of any PC Card. There are two sets of timing registers, Timer Set 0 and Timer Set 1, that can be selected on a per-window basis for both I/O and memory windows.

To be compatible with the 82365SL, the two timing sets are programmed at the rising edge of PWRGOOD to include normal-wait and one-wait-state timing.

4.1.12.1 ATA Mode Operation

The PD67XX supports direct connection to AT-attached-interface hard drives. ATA drives use an interface very similar to the IDE interface found on many popular portable computers. In this mode, the address and data conflict with the floppy drive is handled automatically. See “[ATA Mode Operation](#)” on page 88 for more information.

4.1.13 DMA Mode Operation for the PD6722

A slave mode Direct Memory Access (DMA) feature exists in the PD6722. To use DMA mode, the **Interrupt and General Control** register, bit 5 must be set to ‘1’ to operate the PC Card in I/O Card Interface mode. PC Card interface DMA handshake signal options must also be selected. Refer to the description of the “[Extension Control 1 \(PD6722 only, formerly DMA Control\)](#)” on page 78 as well as “[DMA Operation \(PD6722 only\)](#)” on page 97.

4.1.14 Selective Data Drive for I/O Windows

The PD67XX can be programmed to drive only some of the ISA bus data pins on reads from I/O windows. This reduces data contention for I/O addresses that include more than one peripheral. In the standard IBM® PC AT, I/O map, floppy disk, and hard disk share address 3F7h. The floppy disk drives ISA-data-bus bit 7 on a read from 3F7h, and the hard disk drives bits 6:0. To allow both floppy disk controllers on the motherboard and hard disks on the PC Card bus (or vice versa) to coexist, the PD67XX can be programmed through use of its Data Mask registers to disable bit 7 on I/O reads at addresses 3F7h and 377h. This is done by programming up I/O windows to these addresses as part of the task of configuring a socket for ATA drive support (see “[Extended Data](#)” on page 77). Alternately, all bits except bit 7 can also be disabled to allow the opposite case.

4.2 Host Access to Registers

The PD67XX registers are accessed through an 8-bit indexing mechanism. An index register scheme allows a large number of internal registers to be accessed by the CPU using only two I/O addresses.

The **Index** register (see “Operation Registers” on page 41) is used to specify which of the internal registers the CPU will access next. The value in the **Index** register is called the Register Index. This number specifies a unique internal register. The **Data** register is used by the CPU to read and write the internal register specified by the **Index** register.

Figure 8. Indexed 8-Bit Register Structure

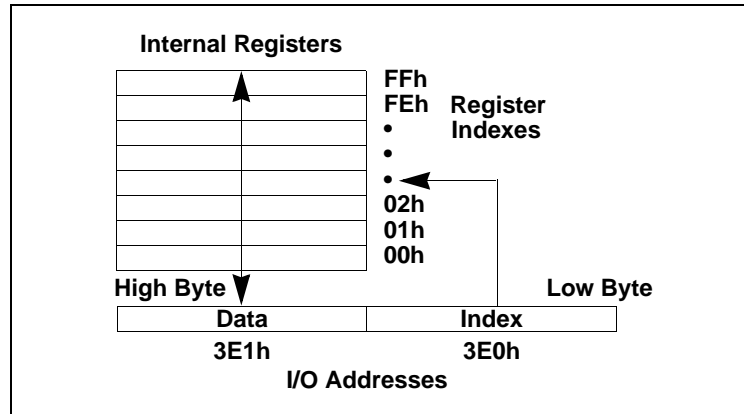
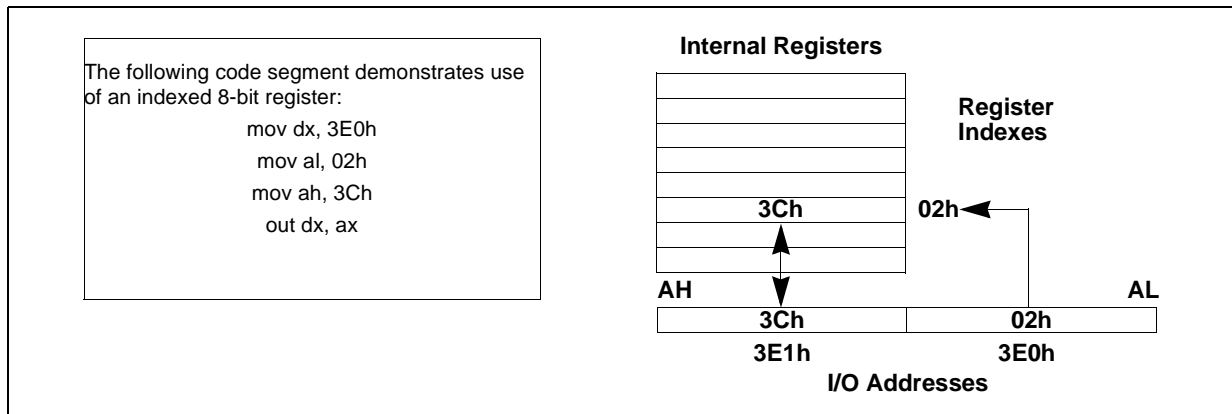


Figure 9. Indexed 8-Bit Register Example



Double-Indexed Registers

The PD67XX has Extension registers that add to the functionality of the 82365SL-compatible register set. Within the Extension registers is an **Extended Index** register and **Extended Data** register that provide access to more registers. The registers accessed through **Extended Index** and **Extended Data** are thus double indexed. The example below shows how to access the **Extension Control 1** register, one of the double-indexed registers.

```

;Write to Extension Control 1 register example
;Constants section
    Extended_Index      EQU 2Eh
    Index_Reg          EQU 2Fh
    Ext_Cntrl_1        EQU 03h
    PD67XX_Index       EQU 3E0h

;Code section
    mov    dx, PD67XX_Index
    mov    al, Extended_Index
    mov    ah, Ext_Cntrl_1
    
```

```

out    dx, ax
mov    al, Index_Reg
mov    ah, user_data ;Desired data to be
out    dx, ax        ;written to
                        ;extended index 03h

;Read from Extension Control 1 register example
;Code section
mov    dx, PD67XX_Index
mov    al, Extended_Index
mov    ah, Ext_Cntrl_1
out    dx, ax
mov    al, Index_Reg
out    dx, al
inc    dx            ;al has extended
in     al, dx       ;index 03h data

```

4.3 Power-On Setup

Following reset, the PD67XX must be configured by host software. The host software's setup procedure is different depending on its PC system configuration, in particular, the power supply arrangement.

The application of the RESET signal (see [Table 2 on page 20](#)) on power-up causes initialization of all the PD67XX register bits and fields to their reset values. Not all registers have reset values; only registers with bits and fields specified to have reset values are initialized.

One bit, which is loaded on hardware reset from the SPKR_OUT*/C_SEL pin (see [Table 1 on page 16](#)), is used to determine the socket to which the PD67XX will respond.

5.0 Register Description Conventions

Register Headings

The description of each register starts with a header containing the following information:

Header Field	Description
Register Name	Indicates the register name.
Index ¹	The Index value through which an internal register in an indexed register set is accessed.
Register Per	Indicates whether the register affects both sockets, marked <i>chip</i> , or an individual socket, marked <i>socket</i> . If <i>socket</i> is indicated, there are two registers being described, each with a separate Index value (one for each socket, A and B). ^a
Register Compatibility Type	Indicates whether the register is 82365SL-compatible, marked <i>365</i> or a register extension, marked <i>ext</i> .
1. When the register is socket-specific, the Index value given in the register heading is for Socket A only. For the Socket B register on the PD6722, add 40h to the Index value of the Socket A register.	

Special Function Bits

Following is a description of bits with special functions:

Bit Type	Description
<i>Reserved</i>	These bits are Reserved and should not be changed.
<i>Compatibility Bit</i>	These bits have no function on the PD67XX, but are included for compatibility with the 82365SL register set.
<i>0 or 1</i>	These read-only bits are forced to either '0' or '1' at reset and cannot be changed.
<i>Scratchpad Bit</i>	These read/write bits are available for use as bits of memory.

Bit Naming Conventions

The following keywords are used within bit and field names:

Keyword	Description
Enable	Indicates that the function described in the rest of the bit name is active when the bit is '1'.
Disable	Indicates that the function described in the rest of the bit name is active when the bit is '0'.
Mode	Indicates that the function of the bit alters the interpretation of the values in other registers.
Input	Indicates a bit or field that is read from a pin.
Output	Indicates a bit or field that is driven to a pin.
Select	Indicates that the bit or field selects between multiple alternatives. Fields that contain <i>Select</i> in their names have an indirect mapping between the value of the field and the effect.
Status	Indicates one of two types of bits: either read-only bits used by the PD67XX to report information to the system, or bits set by the PD67XX in response to an event, and can also be cleared by the system. The system cannot directly cause a Status bit to become '1'.
Value	Indicates that the bit or field value is used as a number.

Read/Write Convention

Bit Access	Description
RW:n	Bit is read/write and resets to value <i>n</i> when PWRGOOD is cycled.
R	Bit is read-only and setting is determined by conditions noted. Set this bit to '0', or echo back value read.
R:n	Bit is read-only and resets to value <i>n</i> when PWRGOOD is cycled. Set this bit to '0', or echo back value read.
R:n W:m	Bit is read/write and resets to value <i>n</i> when PWRGOOD is cycled. Set this bit to value <i>m</i> only.

6.0 Operation Registers

The PD67XX internal registers are accessed through a pair of Operation registers — an **Index** register and a **Data** register. The **Index** register is accessed at address 03E0h, and the **Data** register is accessed at 03E1h.

6.1 Index

Register Name: Index							Register Per: chip
Index: n/a							Register Compatibility Type: 365
Bit 7	Bit 6	Bit 5	Bit 4	Bit 3	Bit 2	Bit 1	Bit 0
Device Index	Socket Index	Register Index					
RW:0	RW:0	RW:000000					

The **Data** register is accessed at 03E1h.

Bits 5:0 — Register Index

These bits determine which of the 64 possible socket-specific registers will be accessed when the **Data** register is next accessed by the processor. Note that some values of the Register Index field are reserved (see [Table 11 on page 42](#)).

Bit 6 — Socket Index

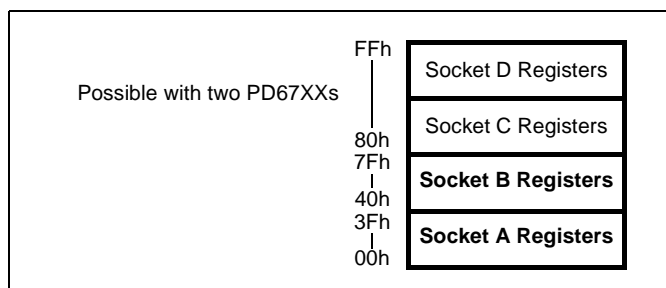
This bit determines which set of socket-specific registers is currently selected. When this bit is '0', a Socket A register is selected. When this bit is '1', a Socket B register is selected. Note that the PD6710 supports one socket, and the PD6722 supports two sockets.

Bit 7 — Device Index

In systems where two PD67XXs are used, this bit differentiates between them.

The **Index** register value determines which internal register should be accessed (read or written) in response to each CPU access of the **Data** register. Each of the possible PC Card sockets is allocated 64 of the 256 locations in the internal register index space

Figure 10. Device/Socket/Register Index Space



When viewed as a 8-bit value, the contents of the **Index** register completely specify a single internal-register byte. For example, when the value of this register is in the range 00h–3Fh, a Socket A register is selected (Socket Index bit is ‘0’), and when the value of this register is in the range 40h–7Fh, a Socket B register is selected (Socket Index bit is ‘1’). This register only reads back for Device 0. Device 1 will read back only the upper data byte when 16-bit reads occur at 3E0h.

The internal register that is accessed when the CPU reads or writes the **Data** register is determined by the current value of the **Index** register, as follows:

Table 11. Index Registers (Sheet 1 of 3)

Register Name	Index Value		Chapter	Page Number
	Socket A	Socket B ¹		
Chip Revision	00h ²		"Chip Control Registers" on page 46	46
Interface Status	01h	41h		47
Power Control	02h	42h		48
Interrupt and General Control	03h	43h		51
Card Status Change	04h	44h		52
Management Interrupt Configuration	05h	45h		54
Mapping Enable	06h	46h		55
I/O Window Control	07h	47h	"I/O Window Mapping Registers" on page 58	58
System I/O Map 0 Start Address Low	08h	48h		59
System I/O Map 0 Start Address High	09h	49h		60
System I/O Map 0 End Address Low	0Ah	4Ah		60
System I/O Map 0 End Address High	0Bh	4Bh		61
System I/O Map 1 Start Address Low	0Ch	4Ch		59
System I/O Map 1 Start Address High	0Dh	4Dh		60
System I/O Map 1 End Address Low	0Eh	4Eh		60
System I/O Map 1 End Address High	0Fh	4Fh	61	

1. Socket B is available on the dual-socket PD6722.
 2. This register affects both sockets (it is not specific to either socket).
 3. These registers are not available on the PD6710.

Table 11. Index Registers (Sheet 2 of 3)

Register Name	Index Value		Chapter	Page Number
	Socket A	Socket B ¹		
System Memory Map 0 Start Address Low	10h	50h	"Memory Window Mapping Registers" on page 64	64
System Memory Map 0 Start Address High	11h	51h		65
System Memory Map 0 End Address Low	12h	52h		66
System Memory Map 0 End Address High	13h	53h		66
Card Memory Map 0 Offset Address Low	14h	54h		67
Card Memory Map 0 Offset Address High	15h	55h		68
Misc Control 1	16h	56h	"Extension Registers" on page 70	70
FIFO Control	17h	57h		72
System Memory Map 1 Start Address Low	18h	58h	"Memory Window Mapping Registers" on page 64	64
System Memory Map 1 Start Address High	19h	59h		65
System Memory Map 1 End Address Low	1Ah	5Ah		66
System Memory Map 1 End Address High	1Bh	5Bh	"Memory Window Mapping Registers" on page 64	61
Card Memory Map 1 Offset Address Low	1Ch	5Ch		67
Card Memory Map 1 Offset Address High	1Dh	5Dh		68
Misc Control 2	1Eh ²		"Extension Registers" on page 70	72
Chip Information	1Fh ²			74
System Memory Map 2 Start Address Low	20h	60h	"Memory Window Mapping Registers" on page 64	64
System Memory Map 2 Start Address High	21h	61h		65
System Memory Map 2 End Address Low	22h	62h		66
System Memory Map 2 End Address High	23h	63h		66
Card Memory Map 2 Offset Address Low	24h	64h		67
Card Memory Map 2 Offset Address High	25h	65h		68
ATA Control	26h	66h	"Extension Registers" on page 70	75
Scratchpad	27h	67h	–	–
System Memory Map 3 Start Address Low	28h	68h	"Memory Window Mapping Registers" on page 64	64
System Memory Map 3 Start Address High	29h	69h		65
System Memory Map 3 End Address Low	2Ah	6Ah		60
System Memory Map 3 End Address High	2Bh	6Bh		66
Card Memory Map 3 Offset Address Low	2Ch	6Ch		67
Card Memory Map 3 Offset Address High	2Dh	6Dh		68

1. Socket B is available on the dual-socket PD6722.
 2. This register affects both sockets (it is not specific to either socket).
 3. These registers are not available on the PD6710.



Table 11. Index Registers (Sheet 3 of 3)

Register Name	Index Value		Chapter	Page Number
	Socket A	Socket B ¹		
Extended Index: ³	2Eh	6Eh	"Extension Registers" on page 70	77
<i>Scratchpad</i>	Extended index 00h			–
Data Mask 0	Extended index 01h			77
Data Mask 1	Extended index 02h			78
Extension Control 1 (formerly DMA Control)	Extended index 03h			78
Maximum DMA Acknowledge Delay	Extended index 04h			79
<i>Reserved</i>	Extended index 05h–09h			–
External Data	Extended index 0Ah			81
Extension Control 2	Extended index 0Bh			83
Extended Data	2Fh	6Fh		
System Memory Map 4 Start Address Low	30h	70h	"Memory Window Mapping Registers" on page 64	64
System Memory Map 4 Start Address High	31h	71h		65
System Memory Map 4 End Address Low	32h	72h		66
System Memory Map 4 End Address High	33h	73h		66
Card Memory Map 4 Offset Address Low	34h	74h		62
Card Memory Map 4 Offset Address High	35h	75h		68
Card I/O Map 0 Offset Address Low	36h	76h	"I/O Window Mapping Registers" on page 58	62
Card I/O Map 0 Offset Address High	37h	77h		62
Card I/O Map 1 Offset Address Low	38h	78h		62
Card I/O Map 1 Offset Address High	39h	79h		62
Setup Timing 0	3Ah	7Ah	"Timing Registers" on page 84	84
Command Timing 0	3Bh	7Bh		85
Recovery Timing 0	3Ch	7Ch		86
Setup Timing 1	3Dh	7Dh		84
Command Timing 1	3Eh	7Eh		85
Recovery Timing 1	3Fh	7Fh		86
1. Socket B is available on the dual-socket PD6722. 2. This register affects both sockets (it is not specific to either socket). 3. These registers are not available on the PD6710.				

6.2 Data

Register Name: Data							<i>Register Per: chip</i>	
Index: n/a							Register Compatibility Type 365	
Bit 7	Bit 6	Bit 5	Bit 4	Bit 3	Bit 2	Bit 1	Bit 0	
Data								



The **Data** register is accessed at 03E1h. This register indicates the contents of the register at the Device/Socket/Register Index selected by the **Index** register.



7.0 Chip Control Registers

7.1 Chip Revision

Register Name: Chip Revision				<i>Register Per: chip</i>			
Index: 00h				Register Compatibility Type: 365			
<i>Bit 7</i>	<i>Bit 6</i>	<i>Bit 5</i>	<i>Bit 4</i>	<i>Bit 3</i>	<i>Bit 2</i>	<i>Bit 1</i>	<i>Bit 0</i>
Interface ID				Revision			
R:10				R:0010 ¹			
1. Value for the current stepping only.							

Bits 3:0 — Revision

This field indicates compatibility with the 82365SL A-step.

Bits 7:6 — Interface ID

00	I/O only.
01	Memory only.
10	Memory and I/O.
11	Reserved.

These bits identify what type of interface this controller supports.

7.2 Interface Status

Register Name: Interface Status							Register Per: socket
Index: 01h							Register Compatibility Type: 365
Bit 7	Bit 6	Bit 5	Bit 4	Bit 3	Bit 2	Bit 1	Bit 0
-VPP_VALID		RDY	WP	-CD2	-CD1	BVD2	BVD1
V _{PP} Valid	Card Power On	Ready/Busy*	Write Protect	Card Detect		Battery Voltage Detect	
R ¹	R:0	R ²	R ³	R ⁴		R ⁵	

1. Bit 7 is the inversion of the value of the -VPP_VALID pin (Table 1).
 2. Bit 5 is the value of the RDY/-IREQ pin (Table 2).
 3. Bit 4 is the value of the WP/-IOIS16 pin (Table 2).
 4. Bits 3:2 are the inversion of the values of the -CD1 and -CD2 pins (Table 2).
 5. Bits 1:0 are the values of the BVD1/-STSCHG and BVD2/-SPKR pins (Table 2).

Bits 1:0 — Battery Voltage Detect

BVD2 Input Level	BVD1 Input Level	Bit 1	Bit 0	PC Card Interpretation
Low	Low	0	0	Card data lost
Low	High	0	1	Battery low warning
High	Low	1	0	Card data lost
High	High	1	1	Battery/data okay

These bits are used by PC Card support software and firmware to indicate the amount of capacity left in the battery in battery-backed cards in Memory Card Interface mode only. In I/O Card Interface mode, bit 0 indicates the state of the BVD1/-STSCHG pin (Table 2). Bit 1 status should be ignored in I/O Card Interface mode.

Bits 3:2 — Card Detect

-CD2 Level	-CD1 Level	Bit 3	Bit 2	Card Detect Status
High	High	0	0	Either no card or card is not fully inserted
High	Low	0	1	Card is not fully inserted
Low	High	1	0	Card is not fully inserted
Low	Low	1	1	Card is fully inserted

These bits indicate the state of the -CD1 and -CD2 pins (Table 2).



Bit 4 — Write Protect

0	Card is not write protected.
1	Card is write protected.

This bit indicates the state of the WP/-IOIS16 pin ([Table 2](#)) on the card and has meaning only in Memory Card Interface mode.

Bit 5 — Ready/Busy*

0	Card is not ready.
1	Card is ready.

This bit indicates the state of the RDY/-IREQ pin ([Table 2](#)) on the card. If the card has been configured for I/O, then this bit will not be valid.

Bit 6 — Card Power On

0	Power to the card is not on.
1	Power to the card is on.

This status bit indicates whether power to the card is on. Refer to [Table 11 on page 42](#) for details.

Bit 7 — V_{PP} Valid

0	This status bit indicates a logic high at the -VPP_VALID pin.
1	This status bit indicates a logic low at the -VPP_VALID pin.

This bit indicates the status of the -VPP_VALID pin ([Table 1](#)).

7.3 Power Control

Register Name: Power Control				<i>Register Per: socket</i>			
Index: 02h				Register Compatibility Type: 365			
<i>Bit 7</i>	<i>Bit 6</i>	<i>Bit 5</i>	<i>Bit 4</i>	<i>Bit 3</i>	<i>Bit 2</i>	<i>Bit 1</i>	<i>Bit 0</i>
Card Enable	Compatibility Bit	Auto-Power	V _{CC} Power	Compatibility Bits		V _{PP1} Power	
RW:0	RW:0	RW:0	RW:0	RW:00		RW:00	

Table 12. Enabling of Socket Power Controls

PWRGOOD Level	Power Control Register		-CD1 and -CD2 Both Active Low	Interface Status Register (see page 47)	-VCC_3 and -VCC_5 Levels	VPP1_PGM and VPP1_VCC Levels
	Bit 4: V _{CC} Power	Bit 5: Auto- Power		Bit 6: Card Power On		
Low	X	X	X	0	Inactive high	Inactive low
High	0	X	X	0	Inactive high	Inactive low
High	1	0	X	1	Activated per Misc Control 1 register, bit 1	Activated per Power Control register, bits 1 and 0
High	1	1	No	0	Inactive high	Inactive low
High	1	1	Yes	1	Activated per Misc Control 1 register, bit 1	Activated per Power Control register, bits 1 and 0

Table 13. Enabling of Outputs to Card Socket

PWRGOOD Level	-CD1 and -CD2 Both Active Low	Power Control Register		PD67XX Signal Outputs to Socket
		Bit 4: V _{CC} Power	Bit 7: Card Enable	
Low	X	X	X	High impedance
High	No	X	X	High impedance
High	Yes	0	0	High impedance
High	Yes	0	1	Enabled
High	Yes	1	0	High impedance
High	Yes	1	1	Enabled

Bit Name	Value	Description
V _{CC} Power	1	Enables V _{CC} to level described by V _{CC} 3.3V (see “Bit 4 — VCC Power” on page 50)
Auto-Power	1	Enables Auto-power mode
Card Enable	1	Enables socket output drivers

Bits 1:0 — V_{PP1} Power

V _{PP1} Power		VPP_PGM	VPP_VCC	PC Card Intended Socket Function
Bit 1	Bit 0			
0	0	Inactive low	Inactive low	Zero volts to PC Card socket V _{PP1} pin
0	1	Inactive low	Active high ¹	Selected card V _{CC} to PC Card socket V _{PP1} pin
1	0	Active high ^a	Inactive low	+12V to PC Card socket V _{PP1} pin
1	1	Inactive low	Inactive low	Zero volts to PC Card socket V _{PP1} pin

1. Under conditions where V_{PP1} power is activated. See “Power Control” on page 48.

These bits are intended to be used to control the power to the V_{PP1} pin of the PC Card.

Bit 4 — V_{CC} Power

0	Power is not applied to the card: the -VCC_3 and -VCC_5 socket power control pins are inactive high.
1	Power is applied to the card: if bit 5 is '0', or bit 5 is '1' and -CD2 and -CD1 are active low, then the selected -VCC_3 or -VCC_5 socket power control pin is active low.

Depending on the value of bit 5 below, setting this bit to '1' will cause power to be applied to the card. The V_{CC} 3.3V bit (see bit 1, “Misc Control 1” on page 70) determines whether 3.3V or 5V power is applied.

Bit 5 — Auto-Power

0	V _{CC} and V _{PP1} power control signals are activated independent of the socket's -CD2 and -CD1 input levels.
1	V _{CC} and V _{PP1} power control signals are only activated if the socket's -CD2 and -CD1 inputs are active low.

When this bit is set to '1', the PD67XX causes power to the card to be turned on and off automatically with the insertion and removal of a PC card from the socket.

Bit 7 — Card Enable

0	Outputs to card socket are not enabled and are floating.
1	Outputs to card socket are enabled if -CD1 and -CD2 are active low and bit 4 is '1'.

When this bit is '1', the outputs to the PC Card are enabled if a card is present and card power is being supplied. The pins affected include: -CE2, -CE1, -IORD, -IOWR, -OE, -REG, RESET, A[25:0], D[15:0], and -WE (see Table 2).

7.4 Interrupt and General Control

Register Name: Interrupt and General Control				Register Per: socket			
Index: 03h				Register Compatibility Type: 365			
Bit 7	Bit 6	Bit 5	Bit 4	Bit 3	Bit 2	Bit 1	Bit 0
Ring Indicate Enable	Card Reset*	Card Is I/O	Enable Manage Int	Card IRQ Select			
RW:0	RW:0	RW:0	RW:0	RW:0000			

Bits 3:0 — Card IRQ Select

0000	IRQ disabled
0001	Reserved
0010	Reserved
0011	IRQ 3
0100	IRQ 4
0101	IRQ 5
0110	Reserved
0111	IRQ 7
1000	Reserved
1001	IRQ 9 (On the PD6722, this output may alternately be used as an ISA bus DACK* signal)
1010	IRQ 10 (On the PD6722, this output may alternately be used as an ISA bus DRQ signal)
1011	IRQ 11
1100	IRQ 12 (This output may alternately be used for LED)
1101	Reserved
1110	IRQ 14
1111	IRQ 15 (This output may alternately be used for ring indicate)

These bits determine which IRQ will occur when the card causes an interrupt through the RDY/-IREQ pin on the PC Card connector.

Bit 4 — Enable Manage Int

0	Card status management interrupts occur as programmed by Management IRQ Select bits (bits 7:4 of Management Interrupt Configuration register, see “Bits 7:4 — Management IRQ Select” on page 55).
1	Card status management interrupts are redirected to the -INTR line instead of the programmed IRQ pin.

This bit determines how management interrupts will occur.

Bit 5 — Card Is I/O

0	Memory Card Interface mode: card socket configured to support memory cards. Dual-function socket interface pins perform memory card-type interface functions.
1	I/O Card Interface mode: card socket configured to support I/O/memory card-type interface functions. Dual-function socket interface pins perform I/O/memory card-type interface functions.

This bit determines how dual-function socket interface pins will be used.

Bit 6 — Card Reset*

0	The RESET signal to the card socket is set active (high for normal, low for ATA mode).
1	The RESET signal to the card socket is set inactive (low for normal, high for ATA mode).

This bit determines whether the RESET signal (see [Table 2 on page 20](#)) to the card is active or inactive. When the Card Enable bit (see [“Bit 7 — Card Enable” on page 50](#)) is ‘0’, the RESET signal to the card will be high-impedance. See Chapter 10 for further description of ATA mode functions.

Bit 7 — Ring Indicate Enable

0	BVD1/-STSCHG pin is status change function.
1	BVD1/-STSCHG pin is ring indicate input pin from card.

This bit determines whether the -STSCHG input pin is used to activate the IRQ15 pin in conjunction with **Misc Control 2**, IRQ15 Is RI Out (see [“Bit 7 — IRQ15 Is RI Out” on page 74](#)). This bit has no significance when the card socket is configured for memory card operation.

7.5 Card Status Change

Register Name: Card Status Change							<i>Register Per: socket</i>
Index: 04h							Register Compatibility Type: 365
<i>Bit 7</i>	<i>Bit 6</i>	<i>Bit 5</i>	<i>Bit 4</i>	<i>Bit 3</i>	<i>Bit 2</i>	<i>Bit 1</i>	<i>Bit 0</i>
				Card Detect Change	Ready Change	Battery Warning Change	Battery Dead Or Status Change
R:0	R:0	R:0	R:0	R:0	R:0	R:0	R:0

- This register indicates the source of a management interrupt generated by the PD67XX.

Note: The corresponding bit in the **Management Interrupt Configuration** register must be set to ‘1’ to enable each specific status change detection.

Bit 0 — Battery Dead Or Status Change

0	A transition (from high to low for memory card support or either high to low or low to high for I/O card support) on the BVD1/-STSCHG pin has not occurred since this register was last read.
1	A transition on the BVD1/-STSCHG pin has occurred.

When the socket is configured for memory card support, this bit is set to '1' when a BVD1 battery dead high-to-low transition has been detected. When the socket is configured for I/O card support, this bit is set to '1' when the BVD1/-STSCHG pin (see [Table 2 on page 20](#)) changes from either high to low or low to high. This bit is reset to '0' whenever this register is read. In I/O Card Interface mode, function of this bit is not affected by bit 7 of the **Interrupt and General Control** register.

Bit 1 — Battery Warning Change

0	A transition (from high to low) on the BVD2 pin has not occurred since this register was last read.
1	A transition on the BVD2 pin has occurred.

When a socket is configured for memory card support, this bit is set to '1' when a high-to-low transition on BVD2 occurs indicating a battery warning was detected. This bit should be ignored when the socket is configured for I/O card support. This bit is reset to '0' whenever this register is read.

Bit 2 — Ready Change

0	A transition on the RDY/-IREQ pin has not occurred since this register was last read.
1	A transition on the RDY/-IREQ pin has occurred.

When this bit is '1', a change has occurred in the card RDY/-IREQ pin (see [Table 2 on page 20](#)). This bit will always read 0 when the card is configured as an I/O card. This bit is reset to '0' whenever this register is read.

Bit 3 — Card Detect Change

0	A transition on the -CD1 or -CD2 pins has not occurred since this register was last read.
1	A transition on the -CD1 or -CD2 pins has occurred.

When this bit is '1', a change has occurred on the -CD1 or -CD2 pins (see [Table 2 on page 20](#)). This bit is reset to '0' whenever this register is read.

7.6 Management Interrupt Configuration

Register Name; Management Interrupt Configuration				Register Per: socket			
Index: 05h				Register Compatibility Type: 365			
Bit 7	Bit 6	Bit 5	Bit 4	Bit 3	Bit 2	Bit 1	Bit 0
Management IRQ Select				Card Detect Enable	Ready Enable	Battery Warning Enable	Battery Dead Or Status Change Enable
RW:0000				RW:0	RW:0	RW:0	RW:0

This register controls which status changes may cause management interrupts and at which pin the management interrupts will appear.

Bit 0 — Battery Dead Or Status Change Enable

0	Battery Dead Or Status Change management interrupt disabled.
1	If Battery Dead Or Status Change is '1', a management interrupt will occur.

When this bit is '1', a management interrupt will occur when the **Card Status Change** register's Battery Dead Or Status Change bit (see "[Bit 0 — Battery Dead Or Status Change](#)" on page 53) is '1'. This allows management interrupts to be generated on changes in level of the BVD1/-STSCHG pin.

Bit 1 — Battery Warning Enable

0	Battery Warning Change management interrupt disabled.
1	If Battery Warning Change is '1', a management interrupt will occur.

When this bit is '1', a management interrupt will occur when the **Card Status Change** register's Battery Warning Change bit (see "[Bit 1 — Battery Warning Change](#)" on page 53) is '1'. This bit is ignored when the card socket is in I/O mode.

Bit 2 — Ready Enable

0	Ready Change management interrupt disabled.
1	If Ready Change is '1', a management interrupt will occur.

When this bit is '1', a management interrupt will occur when the **Card Status Change** register's Ready Change bit (see "[Bit 1 — Battery Warning Change](#)" on page 53) is '1'.

Bit 3 — Card Detect Enable

0	Card Detect Change management interrupt disabled.
1	If Card Detect Change is '1', a management interrupt will occur.

When this bit is '1', a management interrupt will occur when the **Card Status Change** register's Card Detect Change bit (see “**Bit 3 — Card Detect Change**” on page 53) is '1'.

Bits 7:4 — Management IRQ Select

0000	IRQ disabled
0001	Reserved
0010	Reserved
0011	IRQ 3
0100	IRQ 4
0101	IRQ 5
0110	Reserved
0111	IRQ 7
1000	Reserved
1001	IRQ 9 (On the PD6722, this output may alternately be used as an ISA bus DACK* signal)
1010	IRQ 10 (On the PD6722, this output may alternately be used as an ISA bus DRQ signal)
1011	IRQ 11
1100	IRQ 12 (This output may alternately be used for LED)
1101	Reserved
1110	IRQ 14
1111	IRQ 15 (This output may alternately be used for ring indicate)

These bits determine which interrupt pin will be used for card status change management interrupts.

7.7 Mapping Enable

Register Name: Mapping Enable						<i>Register Per: socket</i>	
Index: 06h						Register Compatibility Type: 365	
<i>Bit 7</i>	<i>Bit 6</i>	<i>Bit 5</i>	<i>Bit 4</i>	<i>Bit 3</i>	<i>Bit 2</i>	<i>Bit 1</i>	<i>Bit 0</i>
I/O Map 1 Enable	I/O Map 0 Enable	MEMCS16 Full Decode	Memory Map 4 Enable	Memory Map 3 Enable	Memory Map 2 Enable	Memory Map 1 Enable	Memory Map 0 Enable
RW:0	RW:0	RW:0	RW:0	RW:0	RW:0	RW:0	RW:0

Bit 0 — Memory Map 0 Enable

0	Memory Mapping registers for Memory Space 0 disabled.
1	Memory Mapping registers for Memory Space 0 enabled.

When this bit is '1', the Memory Mapping registers for Memory Space 0 will be enabled and the controller will respond to memory accesses in the memory space defined by those registers.

Bit 1 — Memory Map 1 Enable

0	Memory Mapping registers for Memory Space 1 disabled.
1	Memory Mapping registers for Memory Space 1 enabled.

When this bit is '1', the Memory Mapping registers for Memory Space 1 will be enabled and the controller will respond to memory accesses in the memory space defined by those registers.

Bit 2 — Memory Map 2 Enable

0	Memory Mapping registers for Memory Space 2 disabled.
1	Memory Mapping registers for Memory Space 2 enabled.

When this bit is '1', the Memory Mapping registers for Memory Space 2 will be enabled and the controller will respond to memory accesses in the memory space defined by those registers.

Bit 3 — Memory Map 3 Enable

0	Memory Mapping registers for Memory Space 3 disabled.
1	Memory Mapping registers for Memory Space 3 enabled.

When this bit is '1', the Memory Mapping registers for Memory Space 3 will be enabled and the controller will respond to memory accesses in the memory space defined by those registers.

Bit 4 — Memory Map 4 Enable

0	Memory Mapping registers for Memory Space 4 disabled.
1	Memory Mapping registers for Memory Space 4 enabled.

When this bit is '1', the Memory Mapping registers for Memory Space 4 will be enabled and the controller will respond to memory accesses in the memory space defined by those registers.

Bit 5 — MEMCS16 Full Decode

This bit is not used. All addresses are used to determine the level of MEMCS16*.

Bit 6 — I/O Map 0 Enable

0	I/O Mapping registers for I/O Space 0 disabled.
1	I/O Mapping registers for I/O Space 0 enabled.

When this bit is '1', the I/O Mapping registers for I/O Space 0 will be enabled and the controller will respond to I/O accesses in the I/O space defined by those registers.

Bit 7 — I/O Map 1 Enable

0	I/O Mapping registers for I/O Space 1 disabled.
1	I/O Mapping registers for I/O Space 1 enabled.

When this bit is '1', the I/O Mapping registers for I/O Space 1 will be enabled and the controller will respond to I/O accesses in the I/O space defined by those registers.

8.0 I/O Window Mapping Registers

The I/O windows must never include 3E0h and 3E1h.

8.1 I/O Window Control

Register Name: I/O Window Control				Register Per: socket			
Index: 07h				Register Compatibility Type: 365			
Bit 7	Bit 6	Bit 5	Bit 4	Bit 3	Bit 2	Bit 1	Bit 0
Timing Register Select 1	Compatibility Bit	Auto-Size I/O Window 1	I/O Window 1 Size	Timing Register Select 0	Compatibility Bit	Auto-Size I/O Window 0	I/O Window 0 Size
RW:0	RW:0	RW:0	RW:0	RW:0	RW:0	RW:0	RW:0

Bit 0 — I/O Window 0 Size

0	8-bit data path to I/O Window 0.
1	16-bit data path to I/O Window 0.

When bit 1 below is '0', this bit determines the size of the data path to I/O Window 0. When bit 1 is '1', this bit is ignored.

Bit 1 — Auto-Size I/O Window 0

0	I/O Window 0 Size (see bit 0 above) determines the data path to I/O Window 0.
1	The data path to I/O Window 0 will be determined based on -IOIS16 returned by the card.

This bit determines the data path to I/O Window 0. Note that when this bit is '1', the -IOIS16 signal (see [Table 2 on page 20](#)) determines the width of the data path to the card.

Bit 3 — Timing Register Select 0

0	Accesses made with timing specified in Timing Set 0.
1	Accesses made with timing specified in Timing Set 1.

This bit determines the access timing specification for I/O Window 0 (see “[Setup Timing 0–1](#)” on [page 84](#)).

Bit 4 — I/O Window 1 Size

0	8-bit data path to I/O Window 1.
1	16-bit data path to I/O Window 1.

When bit 5 below is '0', this bit determines the size of the data path to I/O Window 1. When bit 5 is '1', this bit is ignored.

Bit 5 — Auto-Size I/O Window 1

0	I/O Window 1 Size (see bit 4) determines the data path to I/O Window 1.
1	The data path to I/O Window 1 will be determined based on -IOIS16 returned by the card.

This bit determines the width of the data path to I/O Window 1. Note that when this bit is '1', the -IOIS16 signal (see [Table 2 on page 20](#)) determines the window size. This bit must be set for proper ATA mode operation (see [“ATA Mode Operation” on page 88](#)).

Bit 7 — Timing Register Select 1

0	Accesses made with timing specified in Timing Set 0.
1	Accesses made with timing specified in Timing Set 1.

This bit determines the access timing specification for I/O Window 1 (see [“Setup Timing 0–1” on page 84](#)).

8.2 System I/O Map 0–1 Start Address Low

Register Name: System I/O Map 0–1 Start Address Low							Register Per: socket
Index: 08h, 0Ch							Register Compatibility Type: 365
Bit 7	Bit 6	Bit 5	Bit 4	Bit 3	Bit 2	Bit 1	Bit 0
Start Address 7:0							
RW:00000000							

There are two separate System I/O Map Start Address Low registers, each with identical fields. These registers are located at the following indexes:

Index	System I/O Map Start Address Low
8h	System I/O Map 0 Start Address Low
Ch	System I/O Map 1 Start Address Low



Bits 7:0 — Start Address 7:0

This register contains the least-significant byte of the address that specifies the beginning of the I/O space within the corresponding I/O map. I/O accesses that are equal or above this address and equal or below the corresponding System I/O Map End Address will be mapped into the I/O space of the corresponding PC Card.

The most-significant byte is located in the **System I/O Map 0–1 Start Address High** register (see “System I/O Map 0–1 Start Address High” on page 60).

8.3 System I/O Map 0–1 Start Address High

Register Name: System I/O Map 0–1 Start Address High						Register Per: socket	
Index: 09h, 0Dh						Register Compatibility Type: 365	
Bit 7	Bit 6	Bit 5	Bit 4	Bit 3	Bit 2	Bit 1	Bit 0
Start Address 15:8							
RW:00000000							

There are two separate System I/O Map Start Address High registers, each with identical fields. These registers are located at the following indexes:

Index	System I/O Map Start Address High
9h	System I/O Map 0 Start Address High
Dh	System I/O Map 1 Start Address High

Bits 15:8 — Start Address 15:8

This register contains the most-significant byte of the Start Address. See the description of the Start Address field associated with bits 7:0 of the **System I/O Map 0–1 Start Address Low** register.

8.4 System I/O Map 0–1 End Address Low

Register Name: System I/O Map 0–1 End Address Low						Register Per: socket	
Index: 0Ah, 0Eh						Register Compatibility Type: 365	
Bit 7	Bit 6	Bit 5	Bit 4	Bit 3	Bit 2	Bit 1	Bit 0
End Address 7:0							
RW:00000000							

There are two separate System I/O Map End Address Low registers, each with identical fields. These registers are located at the following indexes:

Index	System I/O Map End Address Low
Ah	System I/O Map 0 End Address Low
Eh	System I/O Map 1 End Address Low

Bits 7:0 — End Address 7:0

This register contains the least-significant byte of the address that specifies the termination of the I/O space within the corresponding I/O map. I/O accesses that are equal or below this address and equal or above the corresponding System I/O Map Start Address will be mapped into the I/O space of the corresponding PC Card.

The most-significant byte is located in the **System I/O Map 0–1 End Address High** register (see “System I/O Map 0–1 End Address High” on page 61).

8.5 System I/O Map 0–1 End Address High

Register Name: System I/O Map 0–1 End Address High						Register Per: socket	
Index: 0Bh, 0Fh						Register Compatibility Type: 365	
Bit 7	Bit 6	Bit 5	Bit 4	Bit 3	Bit 2	Bit 1	Bit 0
End Address 15:8							
RW:00000000							

There are two separate System I/O Map End Address High registers, each with identical fields. These registers are located at the following indexes:

Index	System I/O Map End Address High
Bh	System I/O Map 0 End Address High
Fh	System I/O Map 1 End Address High

Bits 15:8 — End Address 15:8

This register contains the most-significant byte of the End Address. See the description of the End Address field associated with bits 7:0 of the **System I/O Map 0–1 End Address Low** register (see “System I/O Map 0–1 End Address Low” on page 60).



8.6 Card I/O Map 0–1 Offset Address Low

<i>Register Name: Card I/O Map 0–1 Offset Address Low</i>							<i>Register Per: socket</i>
<i>Index: 36h, 38h</i>							<i>Register Compatibility Type: ext.</i>
<i>Bit 7</i>	<i>Bit 6</i>	<i>Bit 5</i>	<i>Bit 4</i>	<i>Bit 3</i>	<i>Bit 2</i>	<i>Bit 1</i>	<i>Bit 0</i>
Offset Address 7:1							0 ¹
RW:0000000							RW:0
1. This bit must be programmed to '0'.							

There are two separate Card I/O Map Offset Address Low registers, each with identical fields. These registers are located at the following indexes:

Index	Card I/O Map Offset Address Low
36h	Card I/O Map 0 Offset Address Low
38h	Card I/O Map 1 Offset Address Low

Bits 7:1 — Offset Address 7:1

This register contains the least-significant byte of the quantity that will be added to the host I/O address; this will determine the PC Card I/O map location where the I/O access will occur.

The most-significant byte is located in the **Card I/O Map 0–1 Offset Address High** register (see “Card I/O Map 0–1 Offset Address High” on page 62).

8.7 Card I/O Map 0–1 Offset Address High

<i>Register Name: Card I/O Map 0–1 Offset Address High</i>							<i>Register Per: socket</i>
<i>Index: 37h, 39h</i>							<i>Register Compatibility Type: ext.</i>
<i>Bit 7</i>	<i>Bit 6</i>	<i>Bit 5</i>	<i>Bit 4</i>	<i>Bit 3</i>	<i>Bit 2</i>	<i>Bit 1</i>	<i>Bit 0</i>
Offset Address 15:8							
RW:00000000							

There are two separate Card I/O Map Offset Address High registers, each with identical fields. These registers are located at the following indexes:

Index	Card I/O Map Offset Address High
37h	Card I/O Map 0 Offset Address High
39h	Card I/O Map 1 Offset Address High

Bits 15:8 — Offset Address 15:8

This register contains the most-significant byte of the Offset Address. See the description of the End Address field associated with bits 7:1 of the **Card I/O Map 0–1 Offset Address Low** register (see [“Card I/O Map 0–1 Offset Address Low”](#) on page 62).

9.0 Memory Window Mapping Registers

The following information about the memory map windows is important:

- The memory window mapping registers determine where in the ISA memory space and PC Card memory space accesses will occur. There are five memory windows that can be used independently.
- The memory windows are enabled and disabled using the **Mapping Enable** register (see “[Mapping Enable](#)” on page 55).
- To specify where in the ISA space a memory window is mapped, start and end addresses are specified. A memory window is selected whenever the appropriate Memory Map Enable bit (see “[Mapping Enable](#)”) is set, and when the ISA address is greater than or equal to the appropriate **System Memory Map Start Address** register (see “[System Memory Map 0–4 Start Address Low](#)” on page 64) and the ISA address is less than or equal to the appropriate **System Memory Map End Address** register (see “[System Memory Map 0–4 End Address Low](#)” on page 66).
- Start and end addresses are specified with ISA Address bits 23:12. This sets the minimum size of a memory window to 4K bytes. Memory windows are specified in the ISA address from 64 Kbytes to 16 Mbytes (0010000h–FFFFFFh). Note that no memory window can be mapped in the first 64 Kbytes of the ISA address space.
- To ensure proper operation, none of the windows can overlap in the ISA address space.

9.1 System Memory Map 0–4 Start Address Low

<i>Register Name:</i> System Memory Map 0–4 Start Address Low						<i>Register Per:</i> socket	
<i>Index:</i> 10h, 18h, 20h, 28h, 30h						<i>Register Compatibility Type:</i> 365	
<i>Bit 7</i>	<i>Bit 6</i>	<i>Bit 5</i>	<i>Bit 4</i>	<i>Bit 3</i>	<i>Bit 2</i>	<i>Bit 1</i>	<i>Bit 0</i>
Start Address 19:12							
RW:00000000							

There are five separate System Memory Map Start Address Low registers, each with identical fields. These registers are located at the following indexes:

Index	System Memory Map Start Address Low
10h	System Memory Map 0 Start Address Low
18h	System Memory Map 1 Start Address Low
20h	System Memory Map 2 Start Address Low
28h	System Memory Map 3 Start Address Low
30h	System Memory Map 4 Start Address Low

Bits 7:0 — Start Address 19:12

This register contains the least-significant byte of the address that specifies where in the memory space the corresponding memory map will begin. Memory accesses that are equal or above this address and equal or below the corresponding System Memory Map End Address will be mapped into the memory space of the corresponding PC Card.

The most-significant four bits are located in the **System Memory Map 0–4 Start Address High** register (see “System Memory Map 0–4 Start Address High” on page 65).

9.2 System Memory Map 0–4 Start Address High

<i>Register Name:</i> System Memory Map 0–4 Start Address High					<i>Register Per:</i> socket		
<i>Index:</i> 11h, 19h, 21h, 29h, 31h					<i>Register Compatibility Type:</i> 365		
<i>Bit 7</i>	<i>Bit 6</i>	<i>Bit 5</i>	<i>Bit 4</i>	<i>Bit 3</i>	<i>Bit 2</i>	<i>Bit 1</i>	<i>Bit 0</i>
Window Data Size	Compatibility Bit	Scratchpad Bits		Start Address 23:20			
RW:0	RW:0	RW:00		RW:0000			

There are five separate System Memory Map Start Address High registers, each with identical fields. These registers are located at the following indexes:

Index	System Memory Map Start Address High
11h	System Memory Map 0 Start Address High
19h	System Memory Map 1 Start Address High
21h	System Memory Map 2 Start Address High
29h	System Memory Map 3 Start Address High
31h	System Memory Map 4 Start Address High

Bits 3:0 — Start Address 23:20

This field contains the most-significant four bits of the Start Address. See the description of the Start Address field associated with bits 7:0 of the **System Memory Map 0–4 Start Address Low** register (see “System Memory Map 0–4 Start Address Low” on page 64).

Bit 7 — Window Data Size

0	8-bit data path to the card.
1	16-bit data path to the card.

This bit determines the data path size to the card.



9.3 System Memory Map 0–4 End Address Low

Register Name: System Memory Map 0–4 End Address Low						Register Per: socket	
Index: 12h, 1Ah, 22h, 2Ah, 32h						Register Compatibility Type: 365	
Bit 7	Bit 6	Bit 5	Bit 4	Bit 3	Bit 2	Bit 1	Bit 0
End Address 19:12							
RW:00000000							

There are five separate System Memory Map End Address Low registers, each with identical fields. These registers are located at the following indexes:

Index	System Memory Map End Address Low
12h	System Memory Map 0 End Address Low
1Ah	System Memory Map 1 End Address Low
22h	System Memory Map 2 End Address Low
2Ah	System Memory Map 3 End Address Low
32h	System Memory Map 4 End Address Low

Bits 7:0 — End Address 19:12

This register contains the least-significant byte of the address that specifies where in the memory space the corresponding memory map will end. Memory accesses that are equal or below this address and equal or above the corresponding System Memory Map Start Address will be mapped into the memory space of the corresponding PC Card.

The most-significant four bits are located in the **System Memory Map 0–4 End Address High** register (see “System Memory Map 0–4 End Address High” on page 66).

9.4 System Memory Map 0–4 End Address High

Register Name: System Memory Map 0–4 End Address High						Register Per: socket	
Index: 13h, 1Bh, 23h, 2Bh, 33h						Register Compatibility Type: 365	
Bit 7	Bit 6	Bit 5	Bit 4	Bit 3	Bit 2	Bit 1	Bit 0
Card Timer Select		Scratchpad Bits		End Address 23:20			
RW:00		RW:00		RW:0000			

There are five separate System Memory Map End Address High registers, each with identical fields. These registers are located at the following indexes:

Index	System Memory Map End Address High
13h	System Memory Map 0 End Address High
1Bh	System Memory Map 1 End Address High

- 23h System Memory Map 2 End Address High
- 2Bh System Memory Map 3 End Address High
- 33h System Memory Map 4 End Address High

9.4.0.1 Bits 3:0 — End Address 23:20

This field contains the most-significant four bits of the End Address. See the description of the End Address field associated with bits 7:0 of the **System Memory Map 0–4 End Address Low** register (see “System Memory Map 0–4 End Address Low” on page 66).

Bits 7:6 — Card Timer Select

00	Selects Timer Set 0.
01	Selects Timer Set 1.
10	Selects Timer Set 1.
11	Selects Timer Set 1.

This field selects the Timeset registers used to control socket timing for card accesses in this window address range. Timeset 0 and 1 reset to values compatible with PC Card standards. The mapping of bits 7:6 to Timeset 0 and 1, as shown in the preceding table, is done for software compatibility with older ISA bus-based PC Card controllers that use ISA bus wait states instead of Timeset registers (see “Setup Timing 0–1” on page 84).

9.5 Card Memory Map 0–4 Offset Address Low

<i>Register Name: Card Memory Map 0–4 Offset Address Low</i>						<i>Register Per: socket</i>	
<i>Index: 14h, 1Ch, 24h, 2Ch, 34h</i>						<i>Register Compatibility Type: 365</i>	
<i>Bit 7</i>	<i>Bit 6</i>	<i>Bit 5</i>	<i>Bit 4</i>	<i>Bit 3</i>	<i>Bit 2</i>	<i>Bit 1</i>	<i>Bit 0</i>
Offset Address 19:12							
RW:00000000							

There are five separate Card Memory Map Offset Address Low registers, each with identical fields. These registers are located at the following indexes:

- | | |
|--------------|---|
| Index | Card Memory Map Offset Address Low |
| 14h | Card Memory Map 0 Offset Address Low |
| 1Ch | Card Memory Map 1 Offset Address Low |
| 24h | Card Memory Map 2 Offset Address Low |
| 2Ch | Card Memory Map 3 Offset Address Low |
| 34h | Card Memory Map 4 Offset Address Low |

Bits 7:0 — Offset Address 19:12

This register contains the least-significant byte of the quantity that will be added to the host memory address, which will determine where the memory access will occur in the PC Card memory map.

The most-significant six bits are located in the **Card Memory Map 0–4 Offset Address High** register (see “Card Memory Map 0–4 Offset Address High” on page 68).

9.6 Card Memory Map 0–4 Offset Address High

<i>Register Name: Card Memory Map 0–4 Offset Address High</i>						<i>Register Per: socket</i>	
<i>Index: 15h, 1Dh, 25h, 2Dh, 35h</i>						<i>Register Compatibility Type: 365</i>	
<i>Bit 7</i>	<i>Bit 6</i>	<i>Bit 5</i>	<i>Bit 4</i>	<i>Bit 3</i>	<i>Bit 2</i>	<i>Bit 1</i>	<i>Bit 0</i>
Write Protect	REG Setting	Offset Address 25:20					
RW:0	RW:0	RW:000000					

There are five separate Card Memory Map Offset Address High registers, each with identical fields. These registers are located at the following indexes:

Index	Card Memory Map Offset Address High
15h	Card Memory Map 0 Offset Address High
1Dh	Card Memory Map 1 Offset Address High
25h	Card Memory Map 2 Offset Address High
2Dh	Card Memory Map 3 Offset Address High
35h	Card Memory Map 4 Offset Address High

Bits 5:0 — Offset Address 25:20

This field contains the most-significant six bits of the Offset Address. See the description of the Offset Address field associated with bits 7:0 of the **Card Memory Map 0–4 Offset Address Low** register (see “Card Memory Map 0–4 Offset Address Low” on page 67).

Bit 6 — REG Setting

0	-REG (see Table 2 on page 20) is not active for accesses made through this window.
1	-REG is active for accesses made through this window.

This bit determines whether -REG ([Table 2](#)) will be active for accesses made through this window. Card Information Structure (CIS) memory is accessed by setting this bit to ‘1’.

Bit 7 — Write Protect

0	Writes to the card through this window are allowed.
1	Writes to the card through this window are inhibited.

This bit determines whether writes to the card through this window are allowed. This bit only applies to Memory Card Interface mode.

Note: This bit must be set to '0' and a memory card's 'WP' switch must be turned off to allow writes to a card using a memory interface, such as an SRAM card.

10.0 Extension Registers

10.1 Misc Control 1

Register Name: Misc Control 1							Register Per: socket
Index: 16h							Register Compatibility Type: ext.
Bit 7	Bit 6	Bit 5	Bit 4	Bit 3	Bit 2	Bit 1	Bit 0
Inpack Enable	Scratchpad Bits		Speaker Enable	Pulse System IRQ	Pulse Management Interrupt	V _{CC} 3.3V	5 V Detect (PD6710)
RW:0	RW:00		RW:0	RW:0	RW:0	RW:0	Reserved ¹ (PD6722)
1. On some versions of the PD6722, this bit can be used to read levels of the A_GPSTB and B_GPSTB pins.							

Bit 0 — 5 V Detect (PD6710 only)

0	3.3 V card detected.
1	Old or 5 V card detected.

This bit is connected to pins VS1 and VS2. Cards that will only operate at 3.3 V will drive this bit to '0'.

Bit 1 — V_{CC} 3.3V

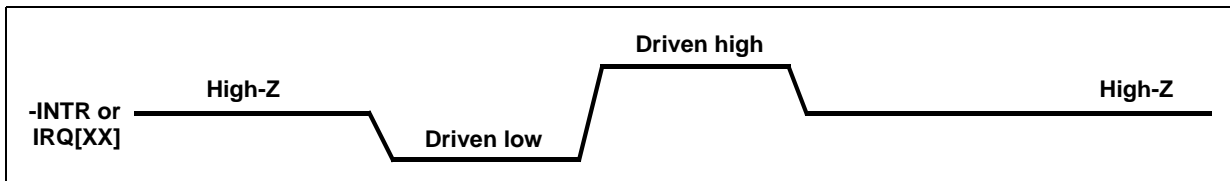
0	-VCC_5 activated when card power is to be applied.
1	-VCC_3 activated when card power is to be applied.

This bit determines which output pin is to be used to enable V_{CC} power to the socket when card power is to be applied; it is used in conjunction with bits 5:4 of the **Power Control** register (see "Power Control" on page 48).

Bit 2 — Pulse Management Interrupt

0	Card status change management interrupts are passed to the appropriate IRQ[XX] or -INTR pin as level-sensitive.
1	When a card status change management interrupt occurs, the appropriate IRQ[XX] or -INTR pin is driven with the pulse train shown in Figure 11 and allows for interrupt sharing.

This bit selects Level or Pulse mode operation of the IRQ[XX] or -INTR pin being used for card status change management interrupts (see [Table 1](#)). Note that a clock must be present on the incoming CLK for pulsed interrupts to work.

Figure 11. Pulse Mode Interrupts


Bit 3 — Pulse System IRQ

0	RDY/-IREQ generated interrupts are passed to the IRQ[XX] pin as level-sensitive.
1	When a RDY/-IREQ interrupt occurs, the IRQ[XX] pin is driven with the pulse train shown in Figure 11 and allows for interrupt sharing.

This bit selects Level or Pulse mode operation of the IRQ[XX] pins for interrupts from a PC Card RDY/-IREQ pin ([Table 2](#)).

Bit 4 — Speaker Enable

0	SPKR_OUT* is high-impedance.
1	SPKR_OUT* is driven from the XOR of -SPKR from each enabled socket.

This bit determines whether the card -SPKR pin will drive SPKR_OUT* ([Table 1](#)).

Bit 7 — Inpack Enable

0	-INPACK pin (Table 2) ignored.
1	-INPACK pin used to control data bus drivers during I/O read from the socket.

This bit is used to determine when to drive data onto the ISA bus.



10.2 FIFO Control

Register Name: FIFO Control						Register Per: socket	
Index: 17h						Register Compatibility Type: ext.	
Bit 7	Bit 6	Bit 5	Bit 4	Bit 3	Bit 2	Bit 1	Bit 0
Empty Write FIFO	Scratchpad Bits ^a						
RW	RW:0000000						
1. Because a write will flush the FIFO, these scratchpad bits should be used only when card activity is guaranteed not to occur.							

a.

Bit 7 — Empty Write FIFO

Value	I/O Read	I/O Write
0	FIFO not empty	No operation occurs; default on reset
1	FIFO empty	Flush the FIFO

This bit controls FIFO operation and reports FIFO status. When this bit is written to ‘1’, all data in the FIFO is lost. During read operations when this bit is ‘1’, the FIFO is empty. During read operations when this bit is ‘0’, data is still in the FIFO. This bit is used to ensure the FIFO is empty before changing timing registers.

FIFO contents will be lost whenever any of the following occur:

- PWRGOOD pin ([Table 1](#)) is ‘0’.
- The card is removed.
- V_{CC} Power bit (see “[Bit 4 — VCC Power](#)” on [page 50](#)) is programmed to ‘0’.

10.3 Misc Control 2

Register Name: Misc Control 2						Register Per: chip	
Index: 1Eh						Register Compatibility Type: ext.	
Bit 7	Bit 6	Bit 5	Bit 4	Bit 3	Bit 2	Bit 1	Bit 0
IRQ15 Is RI Out	DMA System (PD6722)	Three-State Bit 7	Drive LED Enable	5V Core	Suspend	Low-Power Dynamic Mode	Bypass Frequency Synthesizer
RW:0	RW:0	RW:0	RW:0	RW:0	RW:0	RW:1	RW:0

Bit 0 — Bypass Frequency Synthesizer

0	Normal operation, internal clock = CLK input frequency x 7/4.
1	Internal clock = CLK input frequency (see Table 1).

This bit determines internal time base.

Bit 1 — Low-Power Dynamic Mode

0	Clock runs always.
1	Normal operation, stop clock when possible.

This bit determines whether Low-Power Dynamic mode is enabled. For maximum operational power savings, keep this bit set to '1'.

Bit 2 — Suspend

0	Normal operation.
1	Stop Frequency Synthesizer, enable all Low-Power modes and disable socket access.

This bit enables Suspend mode. After entering Suspend, AEN should be pulled high for lowest power consumption. When this bit is high and AEN is high, all ISA bus interface inputs are turned off. In 82386SL systems when the processor is in Suspend mode, the ISA bus interface signals float; this feature will prevent high current flow in the PD67XX inputs.

Bit 3 — 5V Core

0	Normal operation: use when CORE_VDD pin is connected to 3.3 volts.
1	Selects input thresholds for use when 5.0 volts is connected to the PD67XX CORE_VDD pins.

This bit selects input threshold circuits for use when 3.3 or 5.0 volts is connected to the PD67XX CORE_VDD pins. This bit must be set to '0' when the CORE_VDD pins are connected to 3.3 volts to preserve TTL-compatible input thresholds to the card socket.

Bit 4 — Drive LED Enable

0	IRQ12 operates normally.
1	IRQ12 becomes an open-drain output suitable for driving an LED (driven whenever the card - SPKR output is turned on, and the corresponding Speaker Is LED input bit (see " Bit 1 — Speaker Is LED Input " on page 76) is set).

Note: This bit should be set to '0' if in Memory Card Interface mode. This bit determines whether -SPKR is used to drive an LED on the IRQ12 ([Table 1](#)) for disk drives.



Bit 5 — Three-State Bit 7

0	Normal operation.
1	For socket I/O at address 03F7h and 0377h, do not drive bit 7.

This bit enables floppy change bit compatibility.

Bit 6 — DMA System (PD6722 only)

0	Configured for non-DMA mode on the PD6722.
1	Configured for DMA mode on the PD6722.

On the PD6710, this bit is reserved.

On the PD6722, this bit is used to configure system interface signals for normal or DMA operation. At reset, the signals IRQ9, IRQ10, and -VPP_VALID are in non-DMA mode, and this bit is set to '0'. When this bit is set to '1', the IRQ9, IRQ10, and -VPP_VALID pins are reconfigured for system bus DMA interfacing. Refer to [“DMA Operation \(PD6722 only\)”](#) on page 97 for a functional description of these pins during DMA operation.

Bit 7 — IRQ15 Is RI Out

0	Normal IRQ15 operation.
1	IRQ15 is connected to Ring Indicate pin on the host processor.

This bit determines the function of the IRQ15 pin. When configured for ring indicate, IRQ15 is used to resume a processor with NMI or SMI such as an 82486SL when a high-to-low change is detected on the -STSCHG pin.

10.4 Chip Information

<i>Register Name: Chip Information</i>							<i>Register Per: chip</i>
<i>Index: 1Fh</i>							<i>Register Compatibility Type: ext.</i>
<i>Bit 7</i>	<i>Bit 6</i>	<i>Bit 5</i>	<i>Bit 4</i>	<i>Bit 3</i>	<i>Bit 2</i>	<i>Bit 1</i>	<i>Bit 0</i>
PC Card Controller Identification		Dual/Single Socket*		PD67XX Revision Level			Reserved
R:11		R:n ¹		R:nnnn ²			R:n ³
1. The value for PD6710 is '0', and the value for PD6722 is '1'. 2. This read-only value depends on the revision level of the PD67XX chip. 3. The value for PD6722 is '1'. The value for the PD6710 is '0'.							

Bits 4:1 — PD67XX Revision Level

This field identifies the revision of the controller. The initial value is ‘111’.

Bit 5 — Dual/Single Socket*

0	Chip identified as a single-socket controller.
1	Chip identified as a dual-socket controller.

This bit specifies the number of sockets supported by the PD67XX.

Bits 7:6 — PC Card Controller Identification

00	Second read after I/O write to this register.
11	First read after I/O write to this register.

This field identifies a PC Card controller device. After chip reset or doing an I/O write to this register, the first read of this register will return ‘11’. On the next read, this field will be ‘00’. This pattern of toggling data on subsequent reads can be used by software to determine presence of a PC Card controller in a system or to determine occurrence of a device reset.

10.5 ATA Control

Register Name: ATA Control						Register Per: socket	
Index: 26h						Register Compatibility Type: ext.	
Bit 7	Bit 6	Bit 5	Bit 4	Bit 3	Bit 2	Bit 1	Bit 0
A25/CSEL	A24/M/S*	A23/VU	A22	A21	Scratchpad Bit	Speaker Is LED Input	ATA Mode
RW:0	RW:0	RW:0	RW:0	RW:0	RW:0	RW:0	RW:0

Bit 0 — ATA Mode

0	Normal operation.
1	Configures the socket interface to handle ATA-type disk drives.

This bit reconfigures the particular socket as an ATA drive interface. Refer to [Table 17 on page 88](#) for PC Card socket pin definitions in ATA mode.

Bit 1 — Speaker Is LED Input

0	Normal operation.
1	The PC Card -SPKR pin will be used to drive IRQ12 if Drive LED Enable (see “Bit 4 — Drive LED Enable” on page 73) is set.

This bit changes the function of the BVD2/-SPKR/-LED pin (see [Table 2 on page 20](#)) from digital speaker input to disk status LED input. When in I/O Card Interface mode or ATA mode, setting this bit to ‘1’ reconfigures the BVD2/-SPKR/-LED input pin to serve as a -LED input from the socket.

Note: This bit should be set to ‘0’ if in Memory Card Interface mode.

Bit 3 — A21

In ATA mode, the value in this bit is applied to the ATA A21 pin and is vendor-specific. Certain ATA drive vendor-specific performance enhancements beyond the PC Card Standard may be controlled through use of this bit. This bit has no hardware control function when not in ATA mode.

Bit 4 — A22

In ATA mode, the value in this bit is applied to the ATA A22 pin and is vendor-specific. Certain ATA drive vendor-specific performance enhancements beyond the PC Card Standard may be controlled through use of this bit. This bit has no hardware control function when not in ATA mode.

Bit 5 — A23/U

In ATA mode, the value in this bit is applied to the ATA A23 pin and is vendor-specific. Certain ATA drive vendor-specific performance enhancements beyond the PC Card Standard may be controlled through use of this bit. This bit has no hardware control function when not in ATA mode.

Bit 6 — A24/M/S*

In ATA mode, the value in this bit is applied to the ATA A24 pin and is vendor-specific. Certain ATA drive vendor-specific performance enhancements beyond the PC Card Standard may be controlled through use of this bit. This bit has no hardware control function when not in ATA mode.

Bit 7 — A25/CSEL

In ATA mode, the value in this bit is applied to the ATA A25 pin and is vendor-specific. Certain ATA drive vendor-specific performance enhancements beyond the PC Card Standard may be controlled through use of this bit. This bit has no hardware control function when not in ATA mode.

10.6 Extended Index

Register Name: Extended Index						Register Per: socket	
Index: 2Eh						Register Compatibility Type: ext.	
Bit 7	Bit 6	Bit 5	Bit 4	Bit 3	Bit 2	Bit 1	Bit 0
Extended Index							
RW:00000000							

In the PD6722 only, this register controls which of the following registers at index 2Fh can be accessed:

Register Name at Index 2Fh	Extended Register Index
<i>Scratchpad</i>	00h
Data Mask 0	01h
Data Mask 1	02h
Extension Control 1 (formerly named DMA Control)	03h
Maximum DMA Acknowledge Delay	04h
<i>Reserved</i>	05h–09h
External Data	0Ah
Extension Control 2	0Bh

10.7 Extended Data

Register Name: Extended Data						Register Per: socket	
Index: 2Fh						Register Compatibility Type: ext.	
Bit 7	Bit 6	Bit 5	Bit 4	Bit 3	Bit 2	Bit 1	Bit 0
Extended Data							

The data in this register allows the registers indicated by the **Extended Index** register to be read and written. The value of this register is the value of the register selected by the **Extended Index** register.

10.7.1 Data Mask 0–1

Register Name: Data Mask 0–1				Register Per: socket			
Index: 2Fh		Extended Index: 01h, 02h				Register Compatibility Type: ext.	
Bit 7	Bit 6	Bit 5	Bit 4	Bit 3	Bit 2	Bit 1	Bit 0
Data Mask Select 0–1							
RW:00000000							

Data Mask 0 is the mask register for I/O Map 0. For each bit set in the Data Mask Select 0 field, the corresponding data bit will not be driven when the host addresses PC Card I/O addresses in the I/O Map 0 range. If this register is set to 00h, then all data bits will be driven from the PC Card to the ISA bus (this is the reset condition). If any bits are set to '1', accesses to the I/O Map 0 range of I/O on the PC Card will be forced to 8-bit operation on the ISA side. If, for example, I/O Map 0 registers are set for the range 3F7h to 3F7h, I/O Map 1 registers are set for the range 3F0h to 3F6h, Data Mask Select 0 is set to 7Fh, and a floppy drive is the PC Card device, then the conflict between the floppy address 3F7h and the hard disk register at 3F7h would not cause a conflict on the ISA bus — the floppy change bit would be correctly presented to the host.

The **Data Mask 1** register operates the same as the **Data Mask 0** register but acts on I/O addresses in the range indicated by the I/O Map 1 registers.

10.7.2 Extension Control 1 (PD6722 only, formerly DMA Control)

Register Name: Extension Control 1				Register Per: socket			
Index: 2Fh		Extended Index: 03h				Register Compatibility Type: ext.	
Bit 7	Bit 6	Bit 5	Bit 4	Bit 3	Bit 2	Bit 1	Bit 0
DMA Enable (PD6722)		Pull-up Control	Reserved		LED Activity Enable	Auto Power Clear Disable	V _{CC} Power Lock
RW:00		RW:0	RW:00		RW:0	RW:0	RW:0

Bit 0 — V_{CC} Power Lock

0	The V _{CC} Power bit (bit 4 of Power Control register) is not locked.
1	The V _{CC} Power bit (bit 4 of Power Control register) cannot be changed by software.

This bit can be used to prevent card drivers from overriding the Socket Services' task of controlling power to the card, thus preventing situations where cards are powered incorrectly.

Bit 1 — Auto Power Clear Disable

0	The V _{CC} Power bit (bit 4 of Power Control register) is reset to '0' when the card is removed.
1	The V _{CC} Power bit (bit 4 of Power Control register) is not affected by card removal.

Bit 2 — LED Activity Enable

0	LED activity disabled.
1	LED activity enabled.

This bit allows the LED_OUT* pin to reflect any activity in the card. Whenever PC Card cycles are in process to or from a card in either socket, LED_OUT* will be active (low).

Bit 5 — Pull-up Control

0	Pull-ups on CD2, CD1, A_GPSTB, and B_GPSTB (PD6722) are in use.
1	Pull-ups on CD2, CD1, A_GPSTB, and B_GPSTB (PD6722) are turned off.

This bit turns off the pull-ups on CD2, CD1, and A_GPSTB and B_GPSTB (PD6722). Turning off these pull-ups can be used in addition to Suspend mode to even further reduce power when cards are inserted but no card accessibility is required. Even though power may or may not still be applied, all pull-ups and their associated inputs will be disabled.

Bit 7:6 — DMA Enable (PD6722 only)

On the PD6722, DMA Enable bits 6 and 7 enable the DMA operation of the PC Card socket. At reset these bits are set to '0', and this is non-DMA mode. If either or both of these bits is set, the socket is in DMA mode. The three codes that cause DMA mode also select the use of one of three pins for the active-low -DREQ input at the PC Card interface.

Bit 7	Bit 6	Pin Used
0	1	-INPACK
1	0	WP/-IOIS16
1	1	BVD2/-SPKR

For cards requiring DMA services but also needing input acknowledge functionality, or needing to indicate the size of I/O registers within a window, or needing digital speaker or LED operation, the selection of the -DREQ signal to the socket is made to be as flexible as possible.

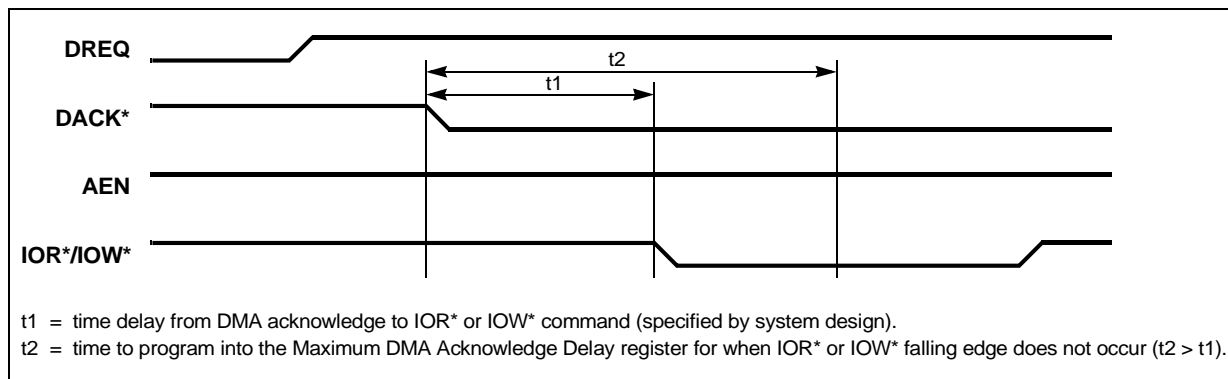
10.7.3 Maximum DMA Acknowledge Delay (PD6722 only)

Register Name: Maximum DMA Acknowledge Delay Index: 2Fh				Register Per: socket Register Compatibility Type: ext.			
Extended Index: 04h							
Bit 7	Bit 6	Bit 5	Bit 4	Bit 3	Bit 2	Bit 1	Bit 0
Maximum DMA Acknowledge Delay RW:00000000							

During a DMA data transfer process, an ISA-based system typically follows its issuance of a DMA acknowledge with a DMA read or write cycle. However, during a DMA write-verify operation, a system can issue a DMA acknowledge without following it with a DMA read or write cycle. Because a DMA-capable PC Card receives DMA acknowledgment only by reception of a DMA read or write cycle, conditions may occur where the card never receives a DMA acknowledge. To prevent this from happening in an ISA-based system, a maximum DMA acknowledge delay feature has been added that generates a ‘dummy’ DMA write cycle (reads DMA data from the card) if there are no system-generated DMA read or write cycles to the card within a programmable time.

Once a DMA acknowledge is received from the system, the PD6722 starts counting the time from the assertion of the DACK* signal until the system issues a DMA read or write command (IOR* or IOW*). If this interval exceeds the programmed time, the PD6722 assumes that a system write-verify is in progress and generates a dummy DMA write cycle at the PC Card interface. This allows the passing of the DMA acknowledge (and terminal count status) to the card so it can perform any intended verify-cycle functions.

Figure 12. Selection of Acknowledge Time-out Interval



The maximum DMA acknowledge delay (t2 as shown in Figure 12) should be programmed to a time greater than the maximum time required from the system’s issuance of a DMA acknowledge to its issuance of a DMA read or write cycle (t1 as shown in Figure 12). The t1 time is indicated in the specifications for the systems DMA cycle timing.

Typical system specifications for t1 are 190–270 ns, making a value of 80h for the **Maximum DMA Acknowledge Delay** register suitable for many applications. If the PD6722 is used in an add-in card application, a value of 20h may be suitable. Table 14 shows **Maximum DMA Acknowledge Delay** register values to be programmed for a desired maximum DMA acknowledge delay.

Table 14. Maximum DMA Acknowledge Delay Register Values (Sheet 1 of 2)

Register Value	Maximum DMA Acknowledge Delay (25-MHz internal clock and default Setup timing)
80h	7 clocks = 280 ns
40h	8 clocks = 320 ns
C0h	9 clocks = 360 ns
20h	10 clocks = 400 ns
A0h	11 clocks = 440 ns
60h	12 clocks = 480 ns

Table 14. Maximum DMA Acknowledge Delay Register Values (Sheet 2 of 2)

Register Value	Maximum DMA Acknowledge Delay (25-MHz internal clock and default Setup timing)
E0h	13 clocks = 520 ns
10h	14 clocks = 560 ns
90h	15 clocks = 600 ns
50h	16 clocks = 640 ns
D0h	17 clocks = 680 ns
30h	18 clocks = 720 ns
B0h	19 clocks = 760 ns

10.7.4 External Data (PD6722 only, Socket A, Index 2Fh)

Register Name: External Data				Register Per: socket			
Index: 2Fh only				Extended Index: 0Ah			
				Register Compatibility Type: ext.			
Bit 7	Bit 6	Bit 5	Bit 4	Bit 3	Bit 2	Bit 1	Bit 0
External Data 7	External Data 6	External Data 5	External Data 4	External Data 3	External Data 2	External Data 1	External Data 0
RW:0	RW:0	RW:0	RW:0	RW:0	RW:0	RW:0	RW:0

Bits 7:0 — External Data

This register is updated and accessed according to the setting of bits 3 and 4 of the Socket A **Extension Control 2** register (Index 2Fh, Extended Index 0Bh).

Table 15. Functions of Socket A External Data Register

Socket A Extension Control 2		Function of Socket A External Data Register
Bit 4: GPSTB on IOW*	Bit 3: GPSTB on IOR*	
0	0	Scratchpad
0	1	External read port: A_GPSTB is a read buffer enable for external data on SD[15:8]
1	0	External write port: A_GPSTB is a write latch enable for SD[15:8] to get latched to an external register. Reads of Socket A External Data register produce the value written to the latch.
1	1	Reserved

Note: For software compatibility of external data access across the PC Card (PCMCIA) controller product line, the Socket A **External Data** register should only be used as a *write* port and not as a *read* port. Also for compatibility, only the lower nibble of **External Data** should be accessed and the upper nibble should be ignored.

Refer to “Using GPSTB Pins for External Port Control (PD6722 only)” on page 91 for more information on the use of the **External Data** register.

10.7.5 External Data (PD6722 only, Socket A, Index 6Fh)

Register Name: External Data				Register Per: socket			
Index: 6Fh only				Extended Index: 0Ah		Register Compatibility Type: ext.	
Bit 7	Bit 6	Bit 5	Bit 4	Bit 3	Bit 2	Bit 1	Bit 0
External Data 7	External Data 6	External Data 5	External Data 4	External Data 3 or B_VS2# Input	External Data 2 or B_VS1# Input	External Data 1 or A_VS2# Input	External Data 0 or A_VS1# Input
RW:0	RW:0	RW:0	RW:0	R:0	R:0	R:0	R:0

Bits 7:0 — External Data

This register is updated and accessed according to the setting of bits 3 and 4 of the Socket B **Extension Control 2** register (Index 6Fh, Extended Index 0Bh).

Table 16. Functions of Socket B External Data Register (PD6722 only)

Socket B Extension Control 2		Function of Socket B External Data Register
Bit 4: GPSTB on IOW*	Bit 3: GPSTB on IOR*	
0	0	Bits 7:4 — scratchpad Bits 3:2 — Socket B VS2# and VS1# levels (PD6722 only) Bits 1:0 — Socket A VS2# and VS1# levels
0	1	External read port: B_GPSTB is a read buffer enable for external data on SD[15:8].
1	0	External write port: B_GPSTB is a write latch enable for SD[15:8] to get latched to an external register. Reads of Socket B External Data register produce the value written to the latch.
1	1	Reserved

Note: For software compatibility of external data access across the PC Card (PCMCIA) controller product line, the Socket B **External Data** register should only be used as a *read* port and not as a *write* port. Also for compatibility, only the lower nibble of **External Data** should be accessed and the upper nibble should be ignored. For software compatibility with VS1# and VS2# detection software, when Socket B is used as a read port, socket VS1# and VS2# signals should be connected to the external read buffer as shown in [Figure 15 on page 96](#).

Refer to “[Using GPSTB Pins for External Port Control \(PD6722 only\)](#)” on page 91 for more information on the use of the **External Data** register, and “[VS1# and VS2# Voltage Detection](#)” on page 95 for more information on VS1# and VS2# detection.

10.7.6 Extension Control 2 (PD6722 only)

Register Name: Extension Control 2					Register Per: socket		
Index: 2Fh		Extended Index: 0Bh			Register Compatibility Type: ext.		
Bit 7	Bit 6	Bit 5	Bit 4	Bit 3	Bit 2	Bit 1	Bit 0
Reserved		Active-high GPSTB	GPSTB on IOW*	GPSTB on IOR*	Totem-pole GPSTB	Reserved	
RW:00		RW:0	RW:0	RW:0	RW:0	RW:00	

Bit 5 — Active-high GPSTB

0	GPSTB outputs are active-low.
1	GPSTB outputs are active-high.

Bit 4 — GPSTB on IOW* (PD6722 only)

0	A_GPSTB (PD6722) pins are used as voltage sense.
1	A_GPSTB (PD6722) pins are used to strobe I/O writes on SD[15:8].

Note that setting this bit forces the pull-ups on A_GPSTB (PD6722) to be off, independent of the setting of the Pull-Up Control bit (index 2Fh, extended index 03h, bit 5). See [“External Data \(PD6722 only, Socket A, Index 6Fh\)”](#) on page 82, [“Using GPSTB Pins for External Port Control \(PD6722 only\)”](#) on page 91, and [“VS1# and VS2# Voltage Detection”](#) on page 95.

Bit 3 — GPSTB on IOR* (PD6722 only)

0	B_GPSTB (PD6722) pins (socket B) are used as voltage sense.
1	B_GPSTB (PD6722) pins are used to strobe I/O reads on SD[15:8].

Note that setting this bit forces the pull-ups on B_GPSTB (PD6722) to be off, independent of the setting of the Pull-Up Control bit (index 6Fh, extended index 03h, bit 5). See [“External Data \(PD6722 only, Socket A, Index 6Fh\)”](#), [“Using GPSTB Pins for External Port Control \(PD6722 only\)”](#), and [“VS1# and VS2# Voltage Detection”](#).

Bit 2 — Totem-pole GPSTB

0	GPSTB outputs are open-collector.
1	GPSTB outputs are totem-pole.

When GPSTB outputs are totem-pole, their ‘high’ level is driven to the level of the +5V pin, instead of high-impedance.

11.0 Timing Registers

The following information about the timing registers is important:

- All timing registers take effect immediately and should only be changed when the FIFO is empty (see the **FIFO Control** register on “[FIFO Control](#)” on page 72).
- Selection of Timing 0 or Timing 1 register sets is controlled by **I/O Window Control**, bit 3 and/or bit 7 (see “[I/O Window Control](#)” on page 58).

11.1 Setup Timing 0–1

Register Name: Setup Timing 0–1				Register Per: socket			
Index: 3Ah, 3Dh				Register Compatibility Type: 365			
Bit 7	Bit 6	Bit 5	Bit 4	Bit 3	Bit 2	Bit 1	Bit 0
Setup Prescalar Select		Setup Multiplier Value					
RW:00		RW:000001					

There are two separate Setup Timing registers, each with identical fields. These registers are located at the following indexes:

Index	Setup Timing
3Ah	Setup Timing 0
3Dh	Setup Timing 1

The Setup Timing register for each timing set controls how long a PC Card cycle’s command (that is, -OE, -WE, -IORD, -IOWR; see [Table 2 on page 20](#)) setup will be, in terms of the number of internal clock cycles.

The overall command setup number of clocks S is programmed by selecting a 2-bit prescaling value (bits 7:6 of this register) representing weights of 1, 16, 256, or 8192, and then selecting a multiplier value (bits 5:0) to which that prescalar is multiplied to produce the overall command setup timing length according to the following formula:

$$S = (N_{pres} \times N_{val}) + 1$$

The value of S , representing the number of internal clock cycles for command setup, is then multiplied by the internal clock’s period to determine the command setup time (see “[PC Card Bus Timing Calculations](#)” on page 109 for further discussion).

Bits 5:0 — Setup Multiplier Value

This field indicates an integer value N_{val} from 0 to 63; it is combined with a prescalar value (bits 7:6) to control the length of setup time before a command becomes active.

Bits 7:6 — Setup Prescalar Select

00	$N_{pres} = 1$
01	$N_{pres} = 16$
10	$N_{pres} = 256$
11	$N_{pres} = 8192$

This field chooses one of four prescalar values N_{pres} that are combined with the value of the Setup Multiplier Value (bits 5:0) to control the length of setup time before a command becomes active.

11.2 Command Timing 0–1

Register Name: Command Timing 0–1				Register Per: socket			
Index: 3Bh, 3Eh				Register Compatibility Type: 365			
Bit 7	Bit 6	Bit 5	Bit 4	Bit 3	Bit 2	Bit 1	Bit 0
Command Prescalar Select		Command Multiplier Value					
RW:00		RW:000110/001111 ¹					
1. Timing set 0 (index 3Bh) resets to 06h for socket timing equal to standard AT-bus-based cycle times. Timing set 1 (3Eh) resets to 0Fh for socket timings equal to standard AT-bus timing using one additional wait state.							

There are two separate Command Timing registers, each with identical fields. These registers are located at the following indexes:

Index	Command Timing
3Bh	Command Timing 0
3Eh	Command Timing 1

The Command Timing register for each timing set controls how long a PC Card cycle's command (that is, -OE, -WE, -IORD, -IOWR; see [Table 2 on page 20](#)) active time will be, in terms of the number of internal clock cycles.

The overall command timing length C is programmed by selecting a 2-bit prescaling value (bits 7:6 of this register) representing weights of 1, 16, 256, or 8192, and then selecting a multiplier value (bits 5:0) to which that prescalar is multiplied to produce the overall command timing length according to the following formula:

$$C = (N_{pres} \times N_{val}) + 1$$

The value of C , representing the number of internal clock cycles for a command, is then multiplied by the internal clock's period to determine the command active time (see "[PC Card Bus Timing Calculations](#)" on page 109 for further discussion).

Bits 5:0 — Command Multiplier Value

This field indicates an integer value N_{val} from 0 to 63; it is combined with a prescalar value (bits 7:6) to control the length that a command is active.

Bits 7:6 — Command Prescalar Select

00	$N_{pres} = 1$
01	$N_{pres} = 16$
10	$N_{pres} = 256$
11	$N_{pres} = 8192$

This field chooses one of four prescalar values N_{pres} that are combined with the value of the Command Multiplier Value (bits 5:0) to control the length that a command is active.

11.3 Recovery Timing 0–1

Register Name: Recovery Timing 0–1				Register Per: socket			
Index: 3Ch, 3Fh				Register Compatibility Type: 365			
Bit 7	Bit 6	Bit 5	Bit 4	Bit 3	Bit 2	Bit 1	Bit 0
Recovery Prescalar Select		Recovery Multiplier Value					
RW:00		RW:000011					

There are two separate Recover Timing registers, each with identical fields. These registers are located at the following indexes:

Index	Recovery Timing
3Ch	Recovery Timing 0
3Fh	Recovery Timing 1

The Recovery Timing register for each timing set controls how long a PC Card cycle’s command (that is, -OE, -WE, -IORD, -IOWR; see [Table 2 on page 20](#)) recovery will be, in terms of the number of internal clock cycles.

The overall command recovery timing length R is programmed by selecting a 2-bit prescaling value (bits 7:6 of this register) representing weights of 1, 16, 256, or 8192, and then selecting a multiplier value (bits 5:0) to which that prescalar is multiplied to produce the overall command recovery timing length according to the following formula:

$$R = (N_{pres} \times N_{val}) + 1$$

The value of R , representing the number of internal clock cycles for command recovery, is then multiplied by the internal clock’s period to determine the command recovery time (see [“PC Card Bus Timing Calculations” on page 109](#) for further discussion).

Bits 5:0 — Recovery Multiplier Value

This field indicates an integer value N_{val} from 0 to 63; it is combined with a prescalar value (bits 7:6) to control the length of recovery time after a command is active.

Bits 7:6 — Recovery Prescalar Select

00	$N_{pres} = 1$
01	$N_{pres} = 16$
10	$N_{pres} = 256$
11	$N_{pres} = 8192$

This field chooses one of four prescalar values N_{pres} that are combined with the value of the Recovery Multiplier Value (bits 5:0) to control the length of recovery time after a command is active.

12.0 ATA Mode Operation

The PD67XX PC Card interfaces can be dynamically configured to support a PC Card-compatible ATA disk interface (commonly known as 'IDE') instead of the standard PC Card interface. Disk drives that can be made mechanically-compatible with PC Card dimensions can thus operate through the socket using the ATA electrical interface.

Configuring a socket to support ATA operation changes the function of certain card socket signals to support the needs of the ATA disk interface. [Table 17](#) lists each interface pin and its function when a PD67XX card socket is operating in ATA mode. Refer to application note AN-PD5, *Configuring PCMCIA Sockets for ATA Drive Interface*, for more information.

All register functions of the PD67XX are available in ATA mode, including socket power control, interface signal disabling, and card window control. No memory operations are allowed in ATA mode.

Table 17. ATA Pin Cross-Reference (Sheet 1 of 3)

PC Card Socket Pin Number	Function	
	PC Card Interface	ATA Interface
1	Ground	Ground
2	D3	D3
3	D4	D4
4	D5	D5
5	D6	D6
6	D7	D7
7	-CE1	-CS0
8	A10	n/c
9	-OE	-ATA (always low)
10	A11	n/c
11	A9	CS1*
12	A8	n/c
13	A13	n/c
14	A14	n/c
15	-WE	n/c
16	-IREQ	IREQ
17	VCC	VCC
18	VPP1	n/c
19	A16	n/c
20	A15	n/c
21	A12	n/c
22	A7	n/c

1. Not supported by the PD67XX.

Table 17. ATA Pin Cross-Reference (Sheet 2 of 3)

PC Card Socket Pin Number	Function	
	PC Card Interface	ATA Interface
23	A6	n/c
24	A5	n/c
25	A4	n/c
26	A3	n/c
27	A2	A2
28	A1	A1
29	A0	A0
30	D0	D0
31	D1	D1
32	D2	D2
33	-IOIS16	-IOIS16
34	Ground	Ground
35	Ground	Ground
36	-CD1	-CD1
37	D11	D11
38	D12	D12
39	D13	D13
40	D14	D14
41	D15	D15
42	-CE2	-CS1
43	VS1	VS1
44	-IORD	-IORD
45	-IOWR	-IOWR
46	A17	n/c
47	A18	n/c
48	A19	n/c
49	A20	n/c
50	A21	n/c
51	VCC	VCC
52	VPP2	n/c
53	A22	n/c
54	A23	VU
55	A24	-M/S
56	A25	CSEL
57	VS2	VS2
1. Not supported by the PD67XX.		

Table 17. ATA Pin Cross-Reference (Sheet 3 of 3)

PC Card Socket Pin Number	Function	
	PC Card Interface	ATA Interface
58	RESET	RESET*
59	-WAIT	IOCHRDY
60	-INPACK	DREQ1
61	-REG	-DACK ¹
62	-SPKR	-LED
63	-STSCHG	-PDIAG ¹
64	D8	D8
65	D9	D9
66	D10	D10
67	-CD2	-CD2
68	Ground	Ground
1. Not supported by the PD67XX.		

13.0 Using GPSTB Pins for External Port Control (PD6722 only)

The PD6722 provides pins that can be programmed to function as general-purpose strobes to external latches or buffers, allowing them to serve as read ports or write ports mapped into the PD6722 register set.

Configuring a GPSTB pin as a read port allows an easy way to read additional card status such as VS1# and VS2# levels, a card socket microswitch status, a card port cover microswitch status, card eject solenoid position status, or general system signal status.

Configuring a GPSTB pin as a write port allows an easy way to control additional features such as card-state LEDs, card mechanism solenoids, or motor eject mechanisms.

13.1 Control of GPSTB Pins

The **Extension Control 2** register controls the GPSTB pins.

For the PD6722, the A_GPSTB pin is controlled by the **Extension Control 2** register at Socket A (index 2Fh, extended index 0Bh), and the B_GPSTB pin is controlled by the **Extension Control 2** register at Socket B (index 6Fh, extended index 0Bh).

The following table summarizes how the GPSTB pins are configured and how data is accessed from external ports created by using a GPSTB pin to control an external read or write port.

Table 18. Registers for Control and Data of GPSTB Pins

Pin Name	GPSTB Control Access	External Port Data Access
A_GPSTB (PD6722)	Set register 2E to 0Bh, access Extension Control 2 register at 2F	Set register 2E to 0Ah, access External Data register at 2F
B_GPSTB (PD6722)	Set register 6E to 0Bh, access Extension Control 2 register at 6F	Set register 6E to 0Ah, access External Data register at 6F

Programming the Extension Control 2 Register

There is one **Extension Control 2** register per GPSTB pin. Each register has identical GPSTB control bits, as follows. See also the description of this register in “[Extension Control 2 \(PD6722 only\)](#)” on page 83.

Register Name: Extension Control 2				Extended Index: 0Bh		Register Per: socket	
Index: 2Fh and 6Fh						Register Compatibility Type: ext.	
Bit 7	Bit 6	Bit 5	Bit 4	Bit 3	Bit 2	Bit 1	Bit 0
Reserved		Active-high GPSTB	GPSTB on IOW*	GPSTB on IOR*	Totem-pole GPSTB	Reserved	
RW:00		RW:0	RW:0	RW:0	RW:0	RW:00	



Bit 5 allows programming of the active level of GPSTB, with the default being active-low. Setting bit 5 to '1' causes a GPSTB output to be low normally and high (active) upon external data access.

Bit 4 controls use of the respective GPSTB pin as a write strobe for an external general-purpose latch. When the respective extended index is set to 0Ah and the index register is set to the respective 2Fh or 6Fh setting, I/O writes that access address 3E1h will result in the respective GPSTB signal being driven active for the duration of the ISA bus IOW* signal being driven low.

Bit 3 controls use of the respective GPSTB pin a read strobe for an external general-purpose buffer. When the respective extended index is set to 0Ah and the index register is set to the respective 2Fh or 6Fh setting, I/O reads that access address 3E1h will result in the respective GPSTB signal being driven active for the duration of the ISA bus IOR* signal being driven low.

Bit 2 cause the GPSTB output to be totem-pole instead of the default open-collector configuration. When GPSTB outputs are totem-pole, their 'high' level is driven to the voltage of the '+5V' pin, instead of to high-impedance.

If neither bit 3 nor bit 4 is set, the respective GPSTB pin functions as a reserved input in a PD6722 that is an internal pull-up to the '+5V' pin. This internal pull-up is turned off whenever the GPSTB pin is configured as a general-purpose strobe, or when the respective socket's Pull-up Control bit is set to '1'.

Bits 7:6 and 1:0 are reserved and *must* be programmed to '0'. These bits should not be used as scratchpad bits.

External Data Port Access through the External Data Register

Data to be accessed from an external read or write port is mapped to the respective **External Data** register at Extended Index 0Ah. This allows external data to be accessed as if it were a register in the PD67XX register set.

To achieve this mapping, the external data port's buffer or latch data connections should be made to SD[15:8] of the system bus for 16-bit systems, and to SD[7:0] of the system bus for 8-bit systems.

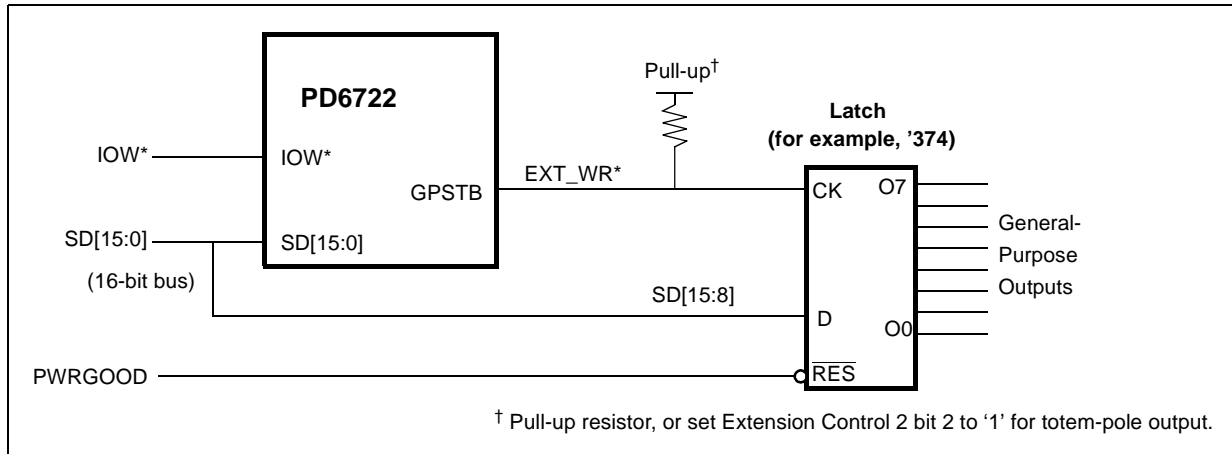
To support readback of data written to an external I/O port by use of a GPSTB pin, a shadow of the external data register exists, which is read when an I/O read is done from the external data register location corresponding to a GPSTB pin programmed as a write strobe.

For more information on the Socket A and Socket B versions of this register, see the description of this register in [“External Data \(PD6722 only, Socket A, Index 2Fh\)” on page 81](#) and [“External Data \(PD6722 only, Socket A, Index 6Fh\)” on page 82](#).

Register Name: External Data				Extended Index: 0Ah		Register Per: socket	
Index: 2Fh				Register Compatibility Type: ext.			
Bit 7	Bit 6	Bit 5	Bit 4	Bit 3	Bit 2	Bit 1	Bit 0
External Data 7	External Data 6	External Data 5	External Data 4	External Data 3	External Data 2	External Data 1	External Data 0
RW:0	RW:0	RW:0	RW:0	RW:0	RW:0	RW:0	RW:0

13.2 Example Implementations of GPSTB-Controlled Read and Write Ports

Figure 13. Example GPSTB Write Port (Extension Control 2 bits 4:3 are '10')

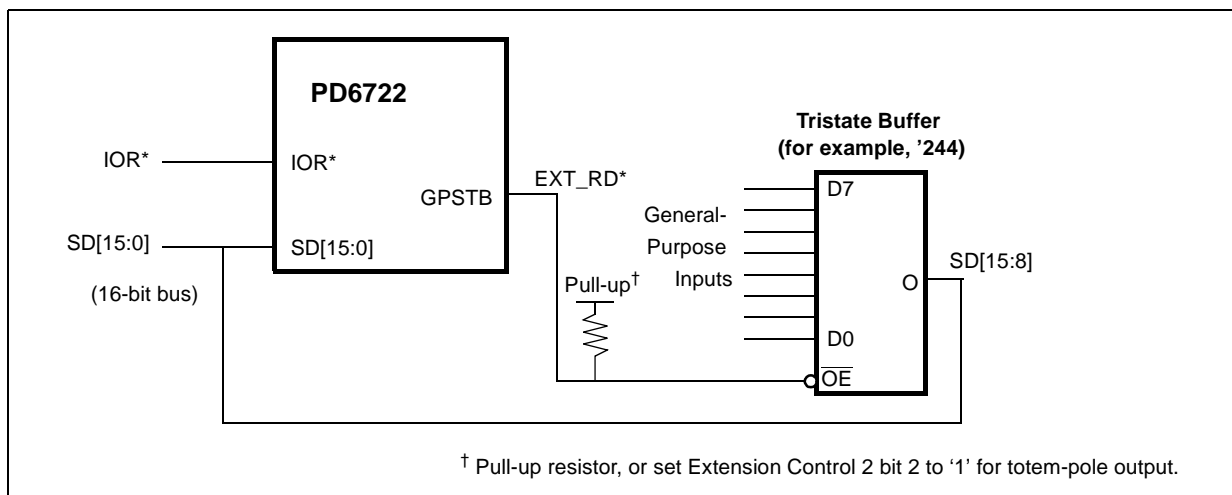


In this mode, **Extension Control 2** register bit 4 is set to '1' enabling the GPSTB pin to function as a write strobe. Writes to the respective extended index 0Ah cause the respective GPSTB to go active (low) for the duration of the system's IOW* pulse.

On writes, data is written to both the external latch and the internal shadow copy of the **External Data** register. A read of the respective extended index 0Ah would produce the last value written to the latch.

Connection of the ISA bus PWRGOOD signal to the external latch ensures that the latch assumes all '0's at its outputs when the PD67XX is reset.

Figure 14. Example GPSTB Read Port (Extension Control 2 bits 4:3 are '01')



In this mode, **Extension Control 2** register bit 3 is set to '1', enabling the respective GPSTB pin to function as a read strobe. Reads from the corresponding extended index 0Ah cause GPSTB to go active (default active level is low) for the duration of the system's IOR* pulse.

Note: Data is still written to the shadowed **External Data** register on writes to Extended Index 0Ah but is not visible.

13.3 GPSTB in Suspend Mode

GPSTB read and write strobes operate while the device is in suspend mode, but they are not allowed when the device is in hardware-assisted 'Super-Suspend' mode (AEN held high while in Suspend mode).

A clock to the PD6722 is not required for the external signal at GPSTB to occur, but shadowing of write values in the internal register at Extended Index 0Ah requires that the PD67XX is not in Suspend mode so there is an active internal clock for register writes.

14.0 VS1# and VS2# Voltage Detection

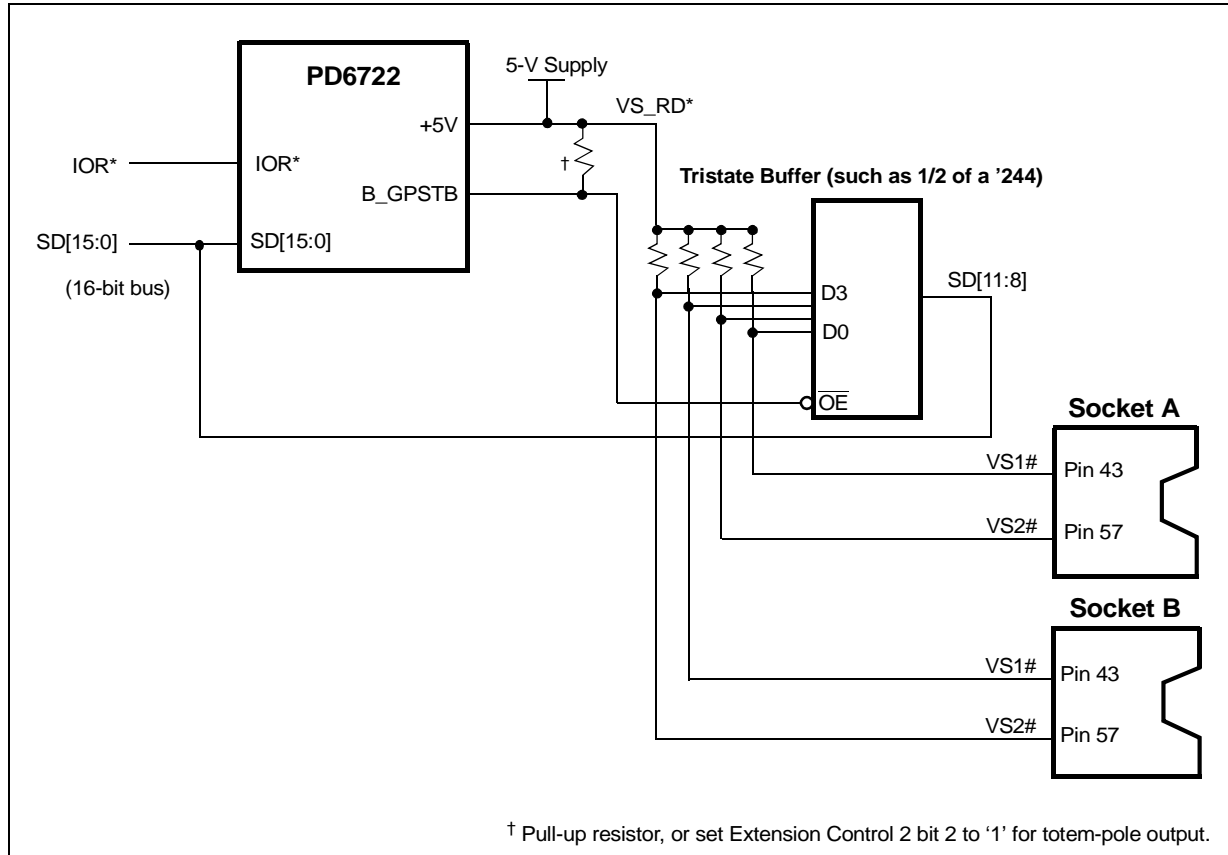
The PD6722 provides support for VS1# and VS2# voltage sense for environments where special low-voltage keyed PC Card sockets are to be used. With a low-voltage keyed socket, it is necessary to determine the operating voltage range of a card before applying power to it. The PD6722 supports reading of the levels on a socket's VS1# and VS2# pins through a uniform extended register programming model using Socket B extended register 0Ah. The programming model is as follows:

Register Name: External Data				Extended Index: 0Ah		Register Per: socket	
Index: 6Fh				Register Compatibility Type: ext.			
Bit 7	Bit 6	Bit 5	Bit 4	Bit 3	Bit 2	Bit 1	Bit 0
External Data 7	External Data 6	External Data 5	External Data 4	B_VS2 Input	B_VS1 Input	A_VS2 Input	A_VS1 Input
RW:0	RW:0	RW:0	RW:0	R:0	R:0	R:0	R:0

For voltage detection on the PD6710, refer to the 5V_DET pin.

On the PD6722, the B_GPSTB pin is programmed as a general-purpose read strobe. The VS1# and VS2# pins from the A and B sockets are connected to the external half of a '244 buffer as follows (which allows Socket A VS1 and VS2 to appear as bits 0 and 1, and Socket B VS1 and VS2 to appear as bits 2 and 3):

**Figure 15. VS1# and VS2# Sensing on a PD6722
(Socket B Extension Control 2 bit 3 is '1')**



15.0 DMA Operation (PD6722 only)

15.1 DMA Capabilities of the PD6722

The PD6722 include support of a DMA-capable PC Card slave and the movement of DMA data to/from the card with the ISA bus as a DMA master.

Only one socket at a time should be enabled for DMA transfer because the ISA bus DMA handshake signals are shared between both socket interfaces.

DMA transfers to and from the DMA-capable PC Card may be 8- or 16-bit, as indicated by the size of the ISA bus DMA cycle.

Note: Transfer size at socket interface is the same as transfer size on an ISA bus. For 8-bit DMA transfers, connect PD6722 DMA handshake signals to ISA bus DMA channels 0, 1, 2, or 3. For 16-bit transfers, connect PD6722 DMA handshake signals to ISA bus DMA channels 5, 6, or 7.

15.2 DMA-Type PC Card Cycles

Transfer of DMA data to or from a card is achieved through use of a special DMA-type PC Card interface cycle. This cycle is defined to not conflict with standard PC Card memory or I/O cycles.

A card that is DMA-capable can distinguish PC Card interface cycle types presented by the PD6722 according to the following table:

Table 19. Four Card Cycle Types for DMA-Type PC Card Interface

Socket Interface Cycle Type	Function of -WE/-OE	Function of -IORD/-IOWR	Function of -REG
Card Memory Read/Write	Data transfer signaling	Always inactive high	Always inactive high
Attribute Memory Read/Write	Data transfer signaling	Always inactive high	Always low
Card I/O Read/Write	Always inactive high	Data transfer signaling	Low = non-DMA I/O cycle
Card DMA Data Read/Write	Terminal count outputs	Data transfer signaling	High = DMA cycle

Note: Bits 7 and 6 of the **Extension Control 1** register must be nonzero for [Table 19](#) to be true; otherwise only standard PC Card cycles will be issued to the card.

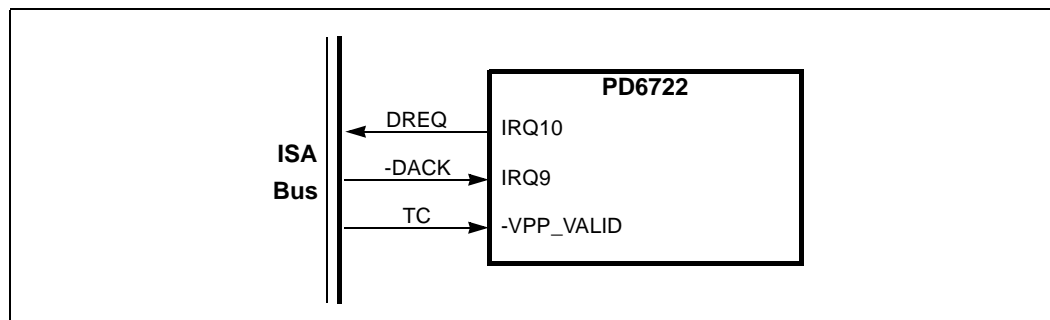
The PC Card address is also undefined during the DMA read or write cycle.

Card DMA data read and write cycles transfer DMA data to or from a DMA-capable PC Card. These cycles are distinguished from normal card I/O cycles by the -REG signal being high during the cycle, which is an undefined condition in the PC Card Standard.

15.3 ISA Bus DMA Handshake Signal

A DMA request from the card is passed to the ISA bus as long as the socket interface FIFO is empty. IRQ10 is used as the DMA request output to the ISA bus when bit 2 of the **Misc Control 2** register is '1'. When bit 2 of the **Misc Control 2** register is '1', IRQ9 is redefined as the active-low DMA acknowledge input from the ISA bus. This signal must remain active for all DMA transfers through the PD6722.

Figure 16. DMA Handshake Connections to the ISA Bus to Make the PD6722 DMA-Capable



Terminal counts are passed through to the card from the PD6722 -VPP_VALID pin when bit 6 of the **Misc Control 2** register is '1'. For a DMA write process, the last-cycle terminal count condition is indicated by -OE being active-low during a card DMA data read cycle. For a DMA read process, terminal count is indicated by -WE being active-low during the last card cycle.

15.4 Configuring the PD6722 Registers for a DMA Transfer

Program the registers as follows to configure a PD6722 socket interface for DMA transfer to/from a DMA-capable PC Card:

1. Select which pin on the PC Card interface will serve as the DMA request input.
2. Configure the socket interface as I/O-capable.
3. Prevent dual-interpretation of socket interface DMA handshake signals.
4. Set the DMA Enable bit.

15.4.1 Programming the DMA Request Pin from the Card

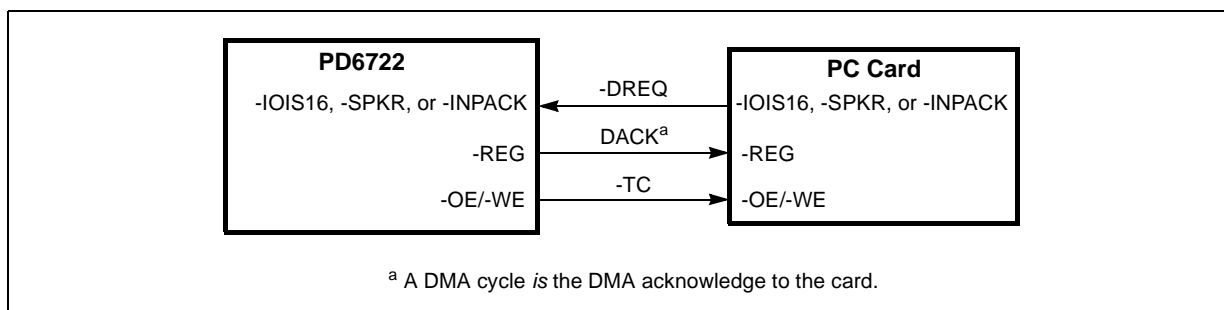
The PD6722 allows selection of one from three PC Card interface inputs to be redefined as the DMA request input, and it also allows programming of the active level of the selected input. This is done by setting bits 7 and 6 of the **Extension Control 1** register to the desired values matching those of the DMA-capable PC Card to be used.

Once this selection of DMA request input is complete, the PC Card interface is configured at the signal level for DMA card interfacing.

The following table shows how the PD6722 socket interface signals are redefined when a card is in DMA card interface mode:

Standard I/O Card Interface Signal Name	DMA-Capable Card Interface Signal Usage	When Signal Redefinition for DMA Interface is Effective
-IOIS16	-IOIS16 or may be selected as the active-low DMA request input	Extension Control 1 register bits 7-6 = '10'
(BVD2/)-SPKR/-LED	-SPKR/-LED or may be selected as the active-low DMA request input	Extension Control 1 register bits 7-6 = '11'
-INPACK	-INPACK or may be selected as the active-low DMA request input	Extension Control 1 register bits 7-6 = '01'
-REG	-REG during standard cycles, active-high DACK during DMA read/write cycles	Only during actual card DMA read or write cycle
-OE	-OE during standard cycles, active-low -TC during DMA write cycles	During DMA write cycles (that is, when -REG is high and -IORD is low)
-WE	-WE during standard cycles, active-low -TC during DMA read cycles	During DMA read cycles (that is, when -REG is high and -IOWR is low)

Figure 17. Card DMA Request and Acknowledge Handshake with Terminal Count



Notice that the DMA acknowledge to the card as -REG high is only active during the actual DMA read or write card cycle. This means there is no mechanism to deassert DACK to the card: The card must understand that receiving the first DMA cycle is its DMA acknowledgment.

15.4.2 Configuring the Socket Interface for I/O

For DMA support, bit 5 of the **Interrupt and General Control** register must be set to '1' to put the card interface in I/O Card Interface mode.

15.4.3 Preventing Dual Interpretation of DMA Handshake Signals

If the WP/-IOIS16 pin is being used as the DMA request line, the following should be considered:

1. Bit 4 of the **Interface Status** register is now the level of the DMA request line from the card.
2. Bit 5 of the socket's two I/O Window Control registers should be set to '0'.

If a socket's BVD2/-SPKR pin is being used as the DMA request line, speaker or LED output from that socket is not available.

If -INPACK is selected as the DMA request input, then bit 7 of the **Misc Control 1** register should be set to '0' to disable use of this signal as input acknowledge control.

No other register bits require special settings to accommodate DMA support on a socket interface.

15.4.4 Turning On DMA System

The DMA System bit (bit 6 of the **Misc Control 2** register) should be programmed to '1' to allow DMA operation and to redefine ISA bus interface pins for DMA support as in [Figure 16](#).

15.4.5 The DMA Transfer Process

As soon as the selected DMA request input from the card becomes active (low) and the FIFO empties, IRQ10 becomes active (high), signifying a DMA request to the system. The system then responds with an active (low) -DACK at IRQ9, which enables the PD6722 to decode any ISA bus DMA transfers that may occur and perform the corresponding transfers at the card. Normal card I/O or memory reads or writes may be interspersed with DMA read and write cycles.

15.4.6 Terminal Count to Card at Conclusion of Transfer

At the conclusion of each transfer process, systems send active (high) TC (terminal count) pulses to the -VPP_VALID pin during the last DMA cycles to the PD6722.

For a DMA write cycle, TC active is signaled at the socket interface as the -OE pin going low during DMA-type read cycles from the PC Card.

For a DMA read cycle, TC active is signaled as the -WE pin going low during DMA-type write cycles to the PC Card.

16.0 Electrical Specifications

16.1 Absolute Maximum Ratings

Ambient temperature under bias	0°C to 70°C
Storage temperature	–65°C to 150°C
Voltage on any pin (with respect to ground)	–0.5 volts to 0.5 volts greater than voltage of +5V pin, respective to ground
Operating power dissipation	500 mW
Suspend power dissipation	10 mW
Power supply voltage	7 volts
Injection current (latch up)	25 mA

Caution: Stresses above those listed may cause permanent damage to system components. These are stress ratings only; functional operation at these or any conditions above those indicated in the operational sections of this specification is not implied. Exposure to absolute maximum rating conditions for extended periods may affect system reliability.

16.2 DC Specifications

Table 20. General DC Specifications

Symbol	Parameter	MIN	MAX	Unit	Conditions
C_{IN}	Input Capacitance		10.0	pF	
C_{OUT}	Output Capacitance		10.0	pF	
I_{IL}	Input Leakage	–10.0	10.0	μA	$0 < V_{IN} < \text{respective } V_{CC} \text{ supply pin}$
I_{PU}	Internal Pull-up Current	–30	–400	μA	

Table 21. PC Card Bus Interface DC Specifications (Sheet 1 of 2)

Symbol	Parameter	MIN	MAX	Unit	Conditions
SOCKET_VCC _{5V}	Power Supply Voltage	4.5	5.5	V	Normal operation
SOCKET_VCC _{3V}	Power Supply Voltage	3.0	3.6	V	
V_{IH}	Input High Voltage	2.0		V	CORE_VDD = 3.0 V, Misc Control 2 register, bit 3 is '0'
		2.0		V	CORE_VDD = 4.5 V, Misc Control 2 register, bit 3 is '1'
V_{IL}	Input Low Voltage		0.8	V	CORE_VDD = 3.6 V, Misc Control 2 register, bit 3 is '0'
			0.8	V	CORE_VDD = 5.5 V, Misc Control 2 register, bit 3 is '1'

Table 21. PC Card Bus Interface DC Specifications (Sheet 2 of 2)

Symbol	Parameter	MIN	MAX	Unit	Conditions
V_{IHC}	Input High Voltage CMOS	$0.7 V_{DD}$		V	CORE_VDD = 4.5 V, Misc Control 2 register, bit 3 is '0'
V_{ILC}	Input Low Voltage CMOS		$0.2 V_{DD}$	V	CORE_VDD = 5.5 V, Misc Control 2 register, bit 3 is '0'
V_{OH}	Output High Voltage	2.4		V	At rated I_{OH} , respective SOCKET_VCC = 3.0 V
V_{OHC}	Output High Voltage CMOS	SOCKET_VCC C - 0.5		V	At rated I_{OHC} , respective SOCKET_VCC = 3.0 V
V_{OL}	Output Low Voltage		0.5	V	At rated I_{OL}
I_{OH}	Output High Current	-2		mA	Respective SOCKET_VCC = 3.0 V, $V_{OH} = 2.4V$
I_{OHC}	Output High Current CMOS	-1		mA	Respective SOCKET_VCC = 3.0 V, $V_{OHC} = \text{SOCKET_VCC} - 0.5 V$
I_{OL}	Output Low Current	2		mA	Respective SOCKET_VCC = 3.0 V, $V_{OL} = 0.5 V$

Table 22. ISA Bus Interface DC Specifications (Sheet 1 of 2)

Symbol	Parameter	MIN	MAX	Unit	Conditions
ISA_VCC _{5V}	Power Supply Voltage	4.5	5.5	V	Normal operation
ISA_VCC _{3V}	Power Supply Voltage	3.0	3.6	V	Normal operation
V_{IH}^1	Input High Voltage	2.0		V	CORE_VDD = 3.0 V
V_{IL}^1	Input Low Voltage		0.8	V	CORE_VDD = 3.6 V
V_{IHC}^1	Input High Voltage CMOS	$0.7 V_{DD}^1$		V	CORE_VDD = 4.5 V
V_{ILC}^1	Input Low Voltage CMOS		$0.2 V_{DD}^2$	V	CORE_VDD = 5.5 V
V_{OH}	Output High Voltage	2.4		V	At rated I_{OH} , ISA_VCC = 3.0 V
V_{OHC}	Output High Voltage CMOS	ISA_VCC - 0.5		V	At rated I_{OHC} , ISA_VCC = 3.0 V
V_{OL}	Output Low Voltage		0.5	V	At rated I_{OL}
I_{OH}	Output Current High, 2-mA-type driver	-2		mA	ISA_VCC = 3.0 V, $V_{OH} = 2.4 V$
	Output Current High, 12-mA-type driver	-5		mA	
	Output Current High, 16-mA-type driver	-5		mA	
I_{OHC}	Output Current High CMOS, 2-mA-type driver	-1		mA	ISA_VCC = 3.0 V, $V_{OHC} = \text{ISA_VCC} - 0.5 V$
	Output Current High CMOS, 12-mA-type driver	-1		mA	
	Output Current High CMOS, 16-mA-type driver	-1		mA	

1. When the CORE_VDD voltage is 3.3 V, input thresholds are TTL compatible; when the CORE_VDD voltage is 5 V, input thresholds are CMOS compatible.
2. The value of the input threshold level is dependent on the voltage applied to V_{DD} pins of the PD67XX.

Table 22. ISA Bus Interface DC Specifications (Sheet 2 of 2)

Symbol	Parameter	MIN	MAX	Unit	Conditions
I_{OL}	Output Current Low, 2-mA-type driver	2		mA	ISA_VCC = 3.0 V, $V_{OL} = 0.5$ V
	Output Current Low, 12-mA-type driver	12		mA	
	Output Current Low, 16-mA-type driver	16		mA	
1. When the CORE_VDD voltage is 3.3 V, input thresholds are TTL compatible; when the CORE_VDD voltage is 5 V, input thresholds are CMOS compatible. 2. The value of the input threshold level is dependent on the voltage applied to V_{DD} pins of the PD67XX.					

Table 23. Power Control Interface (+5V Powered) DC Specifications

Symbol	Parameter	MIN	MAX	Unit	Conditions
+5V	+5V Supply Voltage	Highest $V_{CC} - 0.3$	5.5	V	
V_{IH}	Input High Voltage	2.0		V	+5V pin voltage = 4.5 V
V_{IL}	Input Low Voltage		0.8	V	+5V pin voltage = 5.5 V
V_{OH}	Output High Voltage	2.4		V	+5V pin voltage = 4.5 V, $I_{OH} = -5$ mA
V_{OHC}	Output High Voltage CMOS	+5V voltage – 0.5		V	+5V pin voltage = 4.5 V, $I_{OH} = -1$ mA
V_{OL}	Output Low Voltage		0.5	V	
I_{OH}	Output Current High, 16-mA-type driver	-5		mA	Respective +5V pin voltage = 4.5 V, $V_{OH} = 2.4$ V
I_{OHC}	Output Current High CMOS, 16-mA-type driver	-1		mA	Respective +5V pin voltage = 4.5 V, $V_{OHC} = +5V$ pin voltage – 0.5 V
I_{OL}	Output Current Low, 16-mA-type driver	16		mA	Respective +5V pin voltage = 4.5 V, $V_{OL} = 0.5$ V

Table 24. Operating Current Specifications

Symbol	Parameter	MIN	TYP	MAX	Unit	Conditions
$I_{CCtot(1)}$	Power Supply Current, operating	< 6	8	< 20	mA	CORE_VDD = 3.3 V; +5V, SOCKET_VCC, and ISA_VCC = 5.0 V; $P_{DISS} = < 85$ mW
$I_{CCtot(2)}$	Power Supply Current, Suspend ¹		< 150		μ A	CORE_VDD = 3.3 V; +5V, SOCKET_VCC, and ISA_VCC = 5.0 V; $P_{DISS} = < 2$ mW
$I_{CCtot(3)}$	Power Supply Current, Super Suspend, No Clocks ¹		< 20		μ A	CORE_VDD = 3.3 V; +5V, SOCKET_VCC, and ISA_VCC = 5.0 V; $P_{DISS} = < 1$ mW
1. No cards in sockets; for PD6722, bit 5 of the DMA Control register is '1'.						

16.3 AC Timing Specifications

This section includes system timing requirements for the PD67XX. Timings are provided in nanoseconds (ns), at TTL input levels, with the ambient temperature varying from 0°C to 70°C, and V_{CC} varying from 3.0 to 3.6 V or 4.5 to 5.5 V DC. The AT bus speed is 10 MHz unless otherwise noted. Note that an asterisk (*) denotes an active-low signal for the ISA bus interface, and a dash (-) denotes an active-low signal for the PC Card socket interface.

- Additionally, the following statements are true for all timing information:
- All timings assume a load of 50 pF.
- TTL signals are measured at TTL threshold; CMOS signals are measured at CMOS threshold.

Table 25. List of AC Timing Specifications

Title	Page Number
Table 26 "ISA Bus Timing"	104
Table 27 "Reset Timing"	107
Table 28 "Pulse Mode Interrupt Timing"	107
Table 29 "General-Purpose Strobe Timing"	108
Table 30 "Input Clock Specification"	108
Table 31 "Memory Read/Write Timing (Word Access)"	111
Table 32 "Word I/O Read/Write Timing"	112
Table 33 "PC Card Read/Write Timing when System Is 8-Bit"	113
Table 34 "Normal Byte Read/Write Timing"	114
Table 35 "16-Bit System to 8-Bit I/O Card: Odd Byte Timing"	115
Table 36 "DMA Read Cycle Timing (PD6722 only)"	116
Table 37 "DMA Write Cycle Timing (PD6722 only)"	118
Table 38 "DMA Request Timing (PD6722 only)"	119

16.4 ISA Bus Timing

Table 26. ISA Bus Timing (Sheet 1 of 2)

Symbol	Parameter	MIN	MAX	Unit
t ₁	MEMCS16* active delay from LA[23:17] valid		40	ns
t _{1a}	LA[23:17] setup to ALE inactive	30		ns
t _{1b}	LA[23:17] hold from ALE inactive	5		ns
t ₂	IOCS16* active delay from SA[15:0] ¹		40	ns

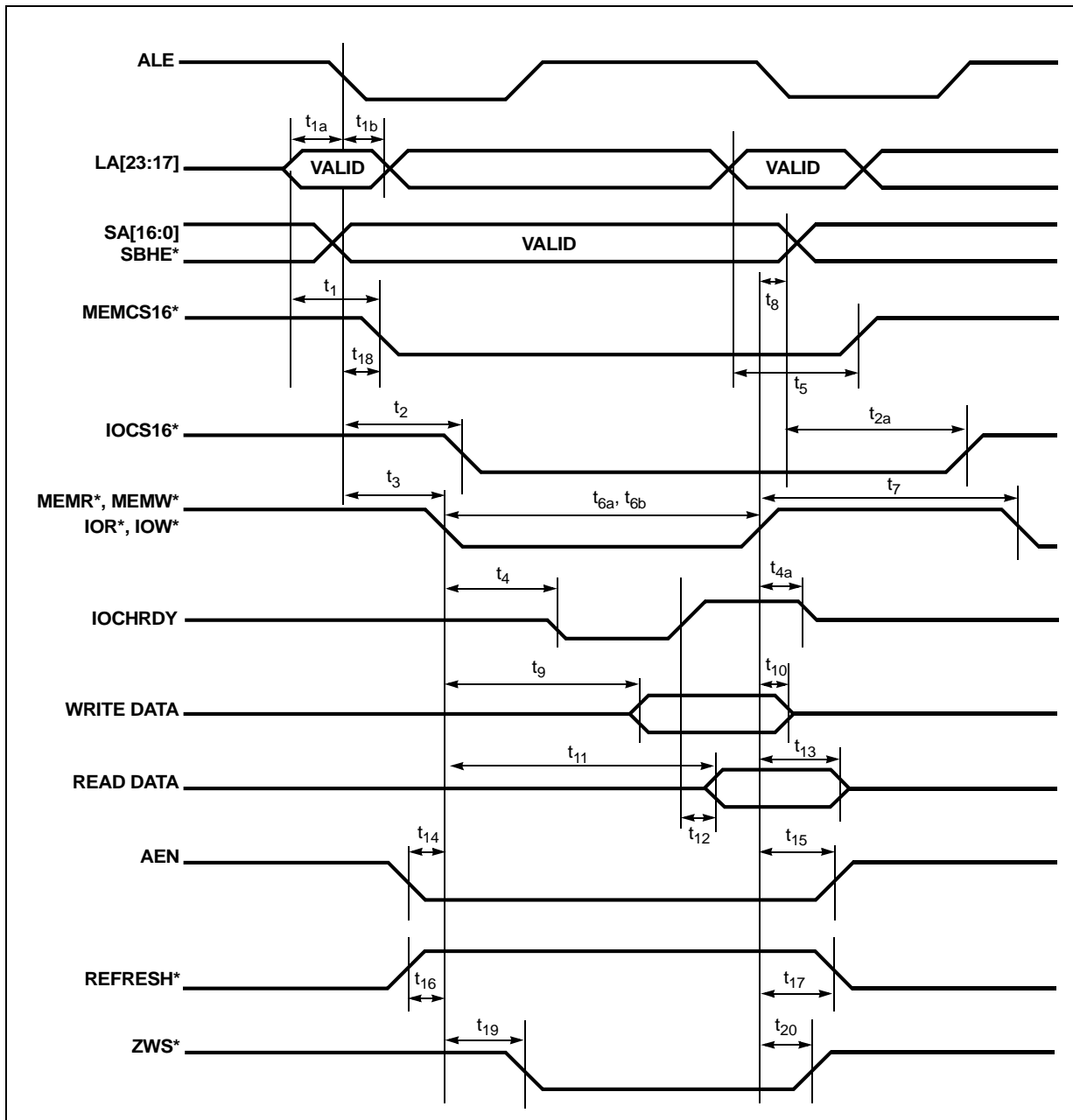
1. AEN must be inactive for t₂, t₃, and t₆ timing specifications to be applicable.
2. Command is defined as IOR*, IOW*, MEMR*, or MEMW*.
3. Except for valid card memory writes, which are zero wait state when internal write FIFO is not full.
4. If card is removed during a card access cycle, IOCHRDY is three-stated without waiting for end of Command.
5. Based on 25-MHz internal clock, produced either by an internal synthesizer and 14.318-MHz signal applied to CLK pin, or by supplying 25 MHz directly to CLK pin and bypassing the internal synthesizer.

Table 26. ISA Bus Timing (Sheet 2 of 2)

Symbol	Parameter	MIN	MAX	Unit
t _{2a}	IOCS16* inactive delay from SA[15:0] ¹		40	ns
t ₃	SA[16:0], SBHE* setup to any Command active ^{1, 2} LA[23:17] latching by ALE to any Command active	30		ns
		90		ns
t ₄	Any Command active to IOCHRDY inactive (low) ³		40	ns
t _{4a}	IOCHRDY three-state from Command inactive ⁴	5	30	
t ₅	MEMCS16* inactive delay from unlatched LA[23:17]		40	ns
t _{6a}	IOW* or IOR* pulse width ¹	140		ns
t _{6b}	MEMW* or MEMR* pulse width ¹	180		ns
t ₇	Any Command inactive to next Command active	100		ns
t ₈	Address or SBHE* hold from any Command inactive	0		ns
t ₉	Data valid from MEMW* active ⁵ Data valid from IOW* active		40	ns
			40	ns
t ₁₀	Data hold from MEMW* inactive Data hold from IOW* inactive	5		ns
		5		ns
t ₁₁	Data delay from IOR* active, for internal registers	0	130	ns
t ₁₂	Data delay from IOCHRDY active		15	ns
t ₁₃	Data hold from IOR* or MEMR* inactive	0	30	ns
t ₁₄	AEN inactive setup to valid IOR* or IOW* active	40		ns
t ₁₅	AEN hold from IOR* or IOW* inactive	5		ns
t ₁₆	REFRESH* inactive setup to valid MEMR* or MEMW* active	40		ns
t ₁₇	REFRESH* inactive hold from MEMR* or MEMW* active	0		ns
t ₁₈	MEMCS16* active delay from SA[16:12] valid		40	ns
t ₁₉	*ZWS delay from MEMW* active		30	ns
t ₂₀	*ZWS hold from MEMW* inactive		15	ns

1. AEN must be inactive for t₂, t₃, and t₆ timing specifications to be applicable.
2. Command is defined as IOR*, IOW*, MEMR*, or MEMW*.
3. Except for valid card memory writes, which are zero wait state when internal write FIFO is not full.
4. If card is removed during a card access cycle, IOCHRDY is three-stated without waiting for end of Command.
5. Based on 25-MHz internal clock, produced either by an internal synthesizer and 14.318-MHz signal applied to CLK pin, or by supplying 25 MHz directly to CLK pin and bypassing the internal synthesizer.

Figure 18. Bus Timing — ISA Bus



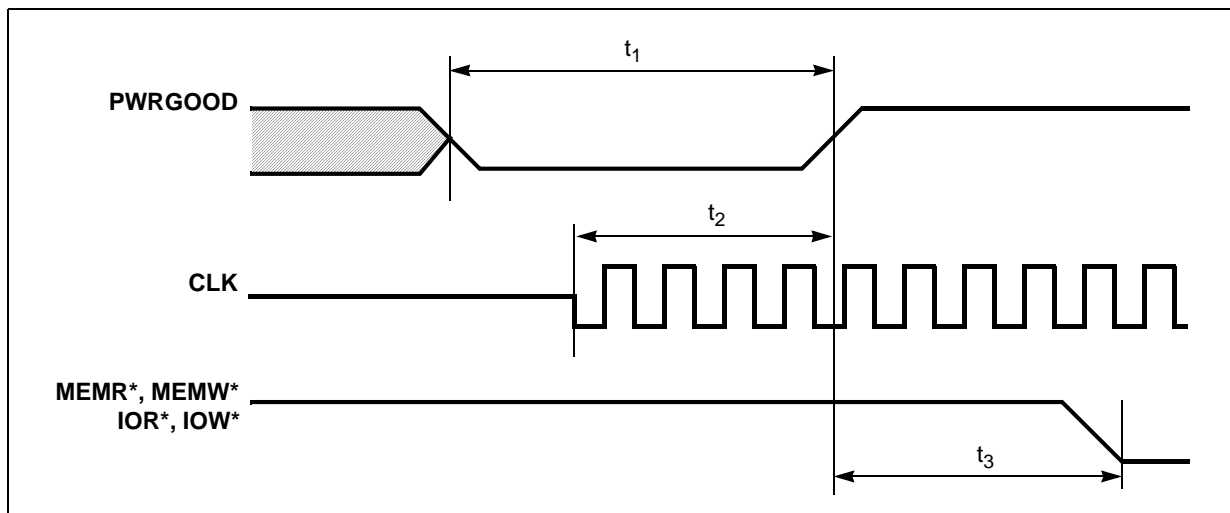
16.4.1 Reset Timing

Table 27. Reset Timing

Symbol	Parameter	MIN	MAX	Units
t_1	PWRGOOD generated reset pulse width	500		ns
t_2	Clock active before end of reset ¹	500		ns
t_3	End of PWRGOOD generated reset to first Command	500		ns

1. Clock input must be active for a minimum of 500 ns before PWRGOOD goes active to allow sufficient internal clocks to initialize internal circuitry.

Figure 19. Reset Timing

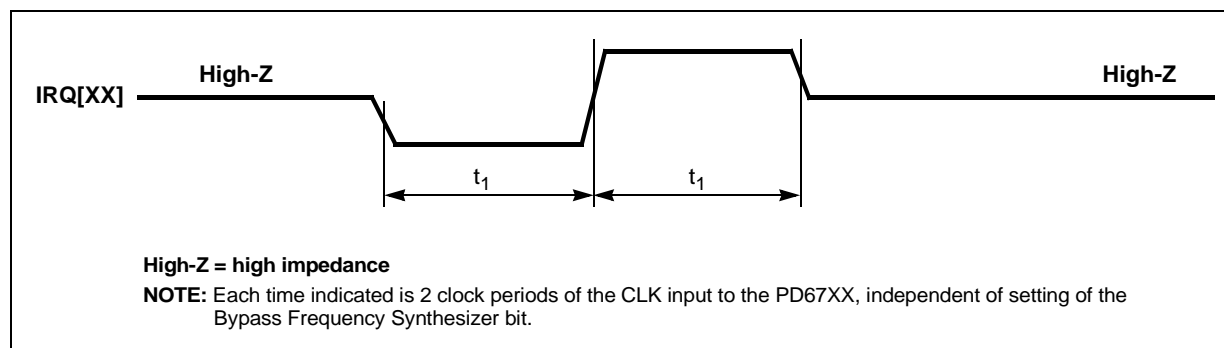


16.4.2 System Interrupt Timing

Table 28. Pulse Mode Interrupt Timing

Symbol	Parameter	MIN	MAX
t_1	IRQ[XX] low or high	2 CLK – 10 ns	2 CLK + 10 ns

Figure 20. Pulse Mode Interrupt Timing

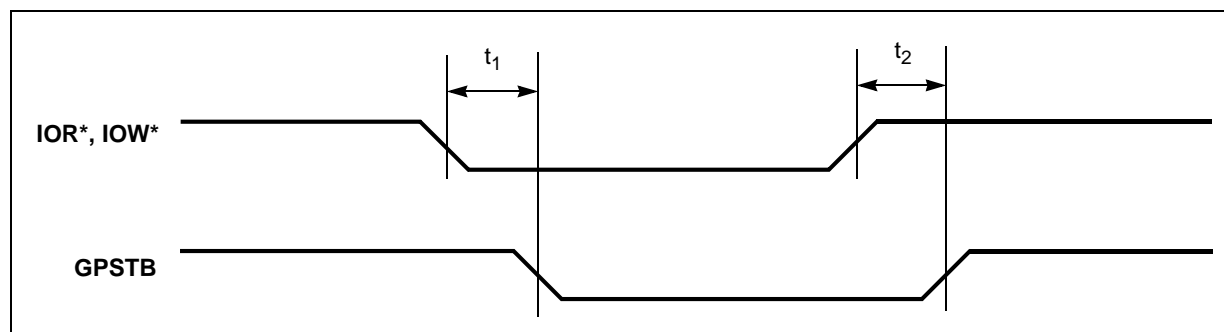


16.4.3 General-Purpose Strobe Timing (PD6722 only)

Table 29. General-Purpose Strobe Timing

Symbol	Parameter	MIN	MAX	Units
t_1	GPSTB delay after IOR* or IOW* active		40	ns
t_2	GPSTB delay after IOR* or IOW* inactive		40	ns

Figure 21. General-Purpose Strobe Timing



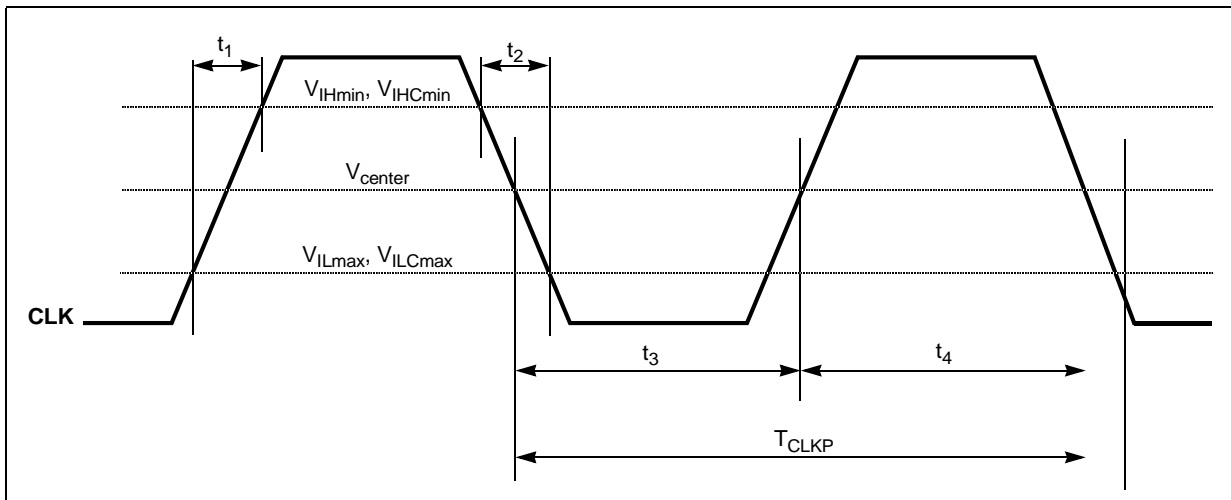
16.4.4 Input Clock Specification

Table 30. Input Clock Specification (Sheet 1 of 2)

Symbol	Parameter	MIN	MAX	Units	Conditions
t_1	CLK pin input rise time	1	7	ns	
t_2	CLK pin input fall time	1	7	ns	
t_3	CLK input low period	0.4 T_{CLKP}	0.6 T_{CLKP}	ns	
t_4	CLK input high period	0.4 T_{CLKP}	0.6 T_{CLKP}	ns	
V_{center}	Center voltage at which period specified	0.5 V_{DD}	0.5 V_{DD}	V	

Table 30. Input Clock Specification (Sheet 2 of 2)

Symbol	Parameter	MIN	MAX	Units	Conditions
T_{CLKP}	Input clock period, internal clock	69.84 – 0.1%	69.84 + 0.1%	ns	Normal synthesizer operation. Misc Control 2 register, bit 0 = '0'. CLK pin at 14.318 MHz.
T_{CLKP}	Input clock period, external clock	40 – 0.1%	40 + 0.1%	ns	Synthesizer bypassed. Misc Control 2 register, bit 0 = '1'. CLK pin at 25 MHz.
V_{IHmin}	CLK input high voltage	2.0		V	CORE_VDD = 3.0 V
V_{ILmax}	CLK input low voltage		0.8	V	CORE_VDD = 3.6 V
V_{IHCmin}	CLK input high voltage	0.7 V_{DD}		V	CORE_VDD = 4.5 V
V_{ILCmax}	CLK input low voltage		0.2 V_{DD}	V	CORE_VDD = 5.5 V

Figure 22. Input Clock Specification


16.4.5 PC Card Bus Timing Calculations

Calculations for minimum PC Card cycle Setup, Command, and Recovery timings are made by first calculating factors derived from the applicable timer set's timing registers and then by applying the factor to an equation relating it to the internal clock period.

The PC Card cycle timing factors, in terms of the number of internal clocks, are calculated as follows:

$$S = (N_{pres} \times N_{val}) + 1$$

$$C = (N_{pres} \times N_{val}) + 1$$

$$R = (N_{pres} \times N_{val}) + 1$$

N_{pres} and N_{val} are the specific selected prescaler and multiplier value from the timer set's Setup, Command, and Recovery Timing registers (see "Timing Registers" on page 84 for a description of these registers).

From this, a PC Card cycle's Setup, Command, and Recovery time for the selected timer set are calculated as follows:

$$\text{Setup time} = (S \times T_{cp}) \pm 10 \text{ ns}$$

$$\text{Command time} = (C \times T_{cp}) \pm 10 \text{ ns}$$

$$\text{Recovery time} = (R \times T_{cp}) \pm 10 \text{ ns}$$

When the internal synthesizer is used, the calculation of the internal clock period T_{cp} is:

$$T_{cp} = T_{CLKP} \times 4/7$$

where T_{CLKP} is the period of the clock supplied to the CLK input pin. An input frequency of 14.318 MHz at the CLK input pin results in an internal clock period of $T_{cp} = 40 \text{ ns}$.

When the internal synthesizer is bypassed, $T_{cp} = T_{CLKP}$. An input frequency of 25 MHz in this circumstance would also result in an internal clock period of $T_{cp} = 40 \text{ ns}$.

The timing diagrams that follow were derived for a PD67XX using the internal synthesizer and a 14.318-MHz CLK pin input. The internal clock frequency of the PD67XX is 7/4 of this incoming signal ($T_{cp} = 40 \text{ ns}$). The examples are for the default values of the Timing registers for Timer Set 0, as follows:

Timing Register Name (Timer Set 0)	Index	Value (Default)	Resultant N_{pres}	Resultant N_{val}
Setup Timing 0	3Ah	01h	1	1
Command Timing 0	3Bh	06h	1	6
Recovery Timing 0	3Ch	03h	1	3

Thus the minimum times for the default values are as follows:

$$\text{Default minimum Setup time} = (S \times T_{cp}) - 10 \text{ ns} = \{2 \times 40 \text{ ns}\} - 10 \text{ ns} = 70 \text{ ns}$$

$$\text{Default minimum Command time} = (C \times T_{cp}) - 10 \text{ ns} = \{7 \times 40 \text{ ns}\} - 10 \text{ ns} = 270 \text{ ns}$$

$$\text{Default minimum Recovery time} = (R \times T_{cp}) - 10 \text{ ns} = \{4 \times 40 \text{ ns}\} - 10 \text{ ns} = 150 \text{ ns}$$

16.4.5.1 PC Card Socket Timing

Table 31. Memory Read/Write Timing (Word Access)

Symbol	Parameter	MIN	MAX	Units
t_1	-CE[2:1], -REG, Address, and Write Data setup to Command active ¹	$(S \times T_{cp}) - 10$		ns
t_2	Command pulse width ²	$(C \times T_{cp}) - 10$		ns
t_3	Address hold and Write Data valid from Command inactive ³	$(R \times T_{cp}) - 10$		ns
t_4	-WAIT active from Command active ⁴		$(C - 2)T_{cp} - 10$	ns
t_5	Command hold from -WAIT inactive	$(2 T_{cp}) + 10$		ns
t_6	Data valid from -WAIT inactive		$T_{cp} + 10$	ns
t_7	Data setup before -OE inactive	$(2 T_{cp}) + 10$		ns
t_8	Data hold after -OE inactive	0		ns

1. The Setup time is determined by the value programmed into the **Setup Timing** register, index 3Ah/3Dh. Using the Timer Set 0 default value of 01h, the setup time would be 70 ns. $S = (N_{pres} \times N_{val} + 1)$, see "PC Card Bus Timing Calculations" on page 109.

2. The Command time is determined by the value programmed into the **Command Timing** register, index 3Bh/3Eh. Using the Timer Set 0 default value of 06h, the Command time would be 270 ns. $C = (N_{pres} \times N_{val} + 1)$, see page 109.

3. The Recovery time is determined by the value programmed into the **Recovery Timing** register, index 3Ch/3Fh. Using the Timer Set 0 default value of 03h, the hold (Recovery) time would be 150 ns. $R = (N_{pres} \times N_{val} + 1)$, see page 109.

4. For typical active timing programmed at 280 ns, maximum -WAIT timing is 190 ns after Command active.

Figure 23. Memory Read/Write Timing

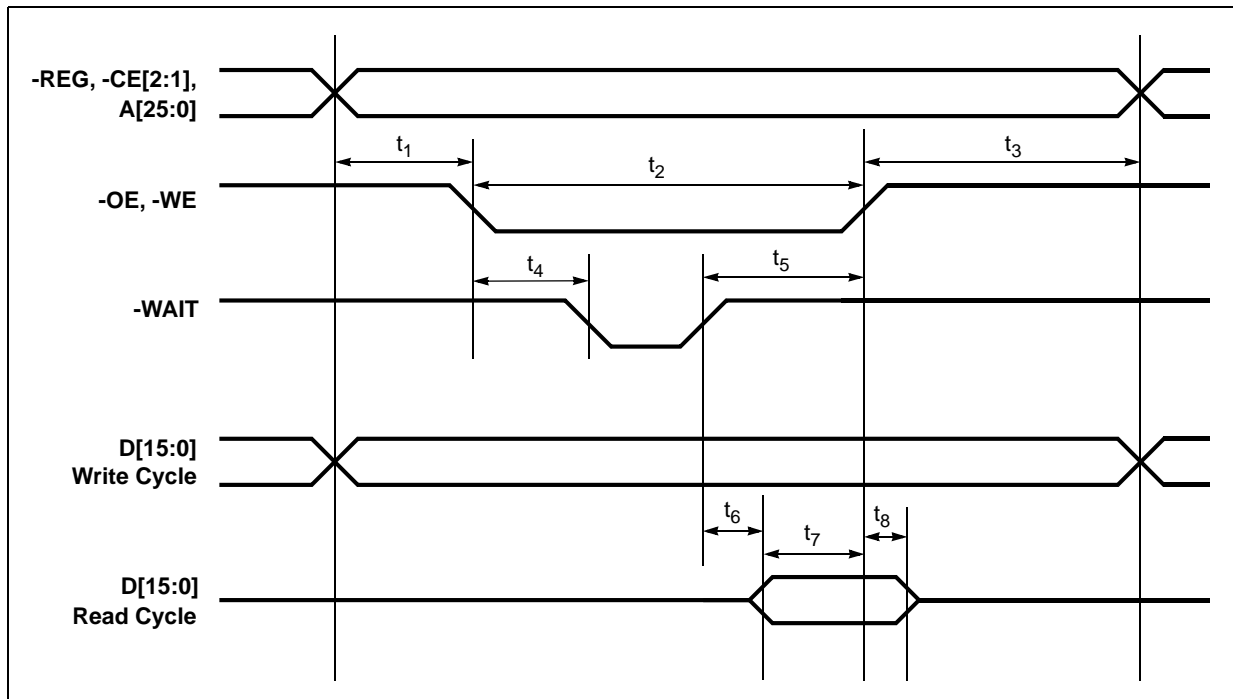


Table 32. Word I/O Read/Write Timing

Symbol	Parameter	MIN	MAX	Units
t ₁	-REG or Address setup to Command active ¹	$(S \times T_{cp}) - 10$		ns
t ₂	Command pulse width ²	$(C \times T_{cp}) - 10$		ns
t ₃	Address hold and Write Data valid from Command inactive ³	$(R \times T_{cp}) - 10$		ns
t ₄	-WAIT active from Command active ⁴		$(C - 2)T_{cp} - 10$	ns
t ₅	Command hold from -WAIT inactive	$(2 T_{cp}) + 10$		ns
t _{ref}	Card -IOIS16 delay from valid Address (PC Card specification)		35	ns
t ₆	-IOIS16 setup time before Command end	$(3 T_{cp}) + 10$		ns
t ₇	-CE2 delay from -IOIS16 active ⁵	$T_{cp} - 10$		ns
t ₆	Data valid from -WAIT inactive		$T_{cp} + 10$	ns
t ₉	Data setup before -IORD inactive	$(2 T_{cp}) + 10$		ns
t ₁₀	Data hold after -IORD inactive	0		ns

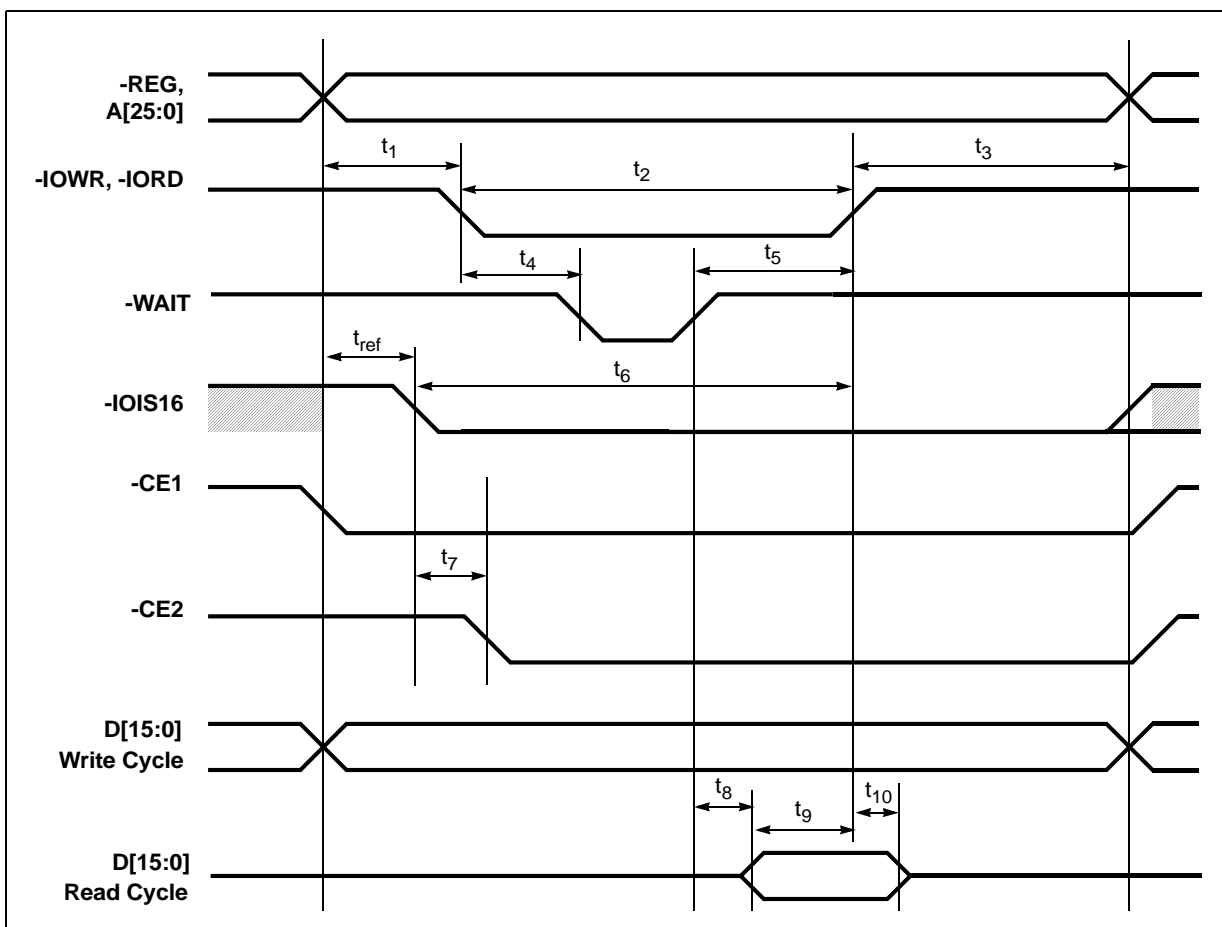
1. The Setup time is determined by the value programmed into the **Setup Timing** register, index 3Ah/3Dh. Using the Timer Set 0 default value of 01h, the setup time would be 70 ns. $S = (N_{pres} \times N_{val} + 1)$, see ["PC Card Bus Timing Calculations" on page 109](#).

2. The Command time is determined by the value programmed into the **Command Timing** register, index 3Bh/3Eh. Using the Timer Set 0 default value of 06h, the Command time would be 270 ns. $C = (N_{pres} \times N_{val} + 1)$, see page 109.

3. The Recovery time is determined by the value programmed into the **Recovery Timing** register, index 3Ch/3Fh. Using the Timer Set 0 default value of 03h, the hold (Recovery) time would be 150 ns. $R = (N_{pres} \times N_{val} + 1)$, see page 109.

4. For typical active timing programmed at 280 ns, maximum -WAIT timing is 190 ns after Command active.

5. -IOIS16 must go low within $3T_{cp} + 10$ ns of the cycle beginning or -IOIS16 will be ignored and -CE will not be activated.

Figure 24. Word I/O Read/Write Timing

Table 33. PC Card Read/Write Timing when System Is 8-Bit

Symbol	Parameter	MIN	MAX	Units
t_1	-REG or Address setup to Command active ¹	$(S \times T_{cp}) - 10$		ns
t_2	Command pulse width ²	$(C \times T_{cp}) - 10$		ns
t_3	Address hold from Command inactive ³	$(R \times T_{cp}) - 10$		ns
t_4	Data setup before Command inactive	$(2 T_{cp}) + 10$		ns
t_5	Data hold after command inactive	0		ns

1. The Setup time is determined by the value programmed into the **Setup Timing** register, index 3Ah/3Dh. Using the Timer Set 0 default value of 01h, the setup time would be 70 ns. $S = (N_{pres} \times N_{val} + 1)$, see ["PC Card Bus Timing Calculations" on page 109](#).

2. The Command time is determined by the value programmed into the **Command Timing** register, index 3Bh/3Eh. Using the Timer Set 0 default value of 06h, the Command time would be 270 ns. $C = (N_{pres} \times N_{val} + 1)$, see page 109.

3. The Recovery time is determined by the value programmed into the **Recovery Timing** register, index 3Ch/3Fh. Using the Timer Set 0 default value of 03h, the hold (Recovery) time would be 150 ns. $R = (N_{pres} \times N_{val} + 1)$, see page 109.

Figure 25. PC Card Read/Write Timing When System Is 8-Bit (\overline{SBHE} Tied High)

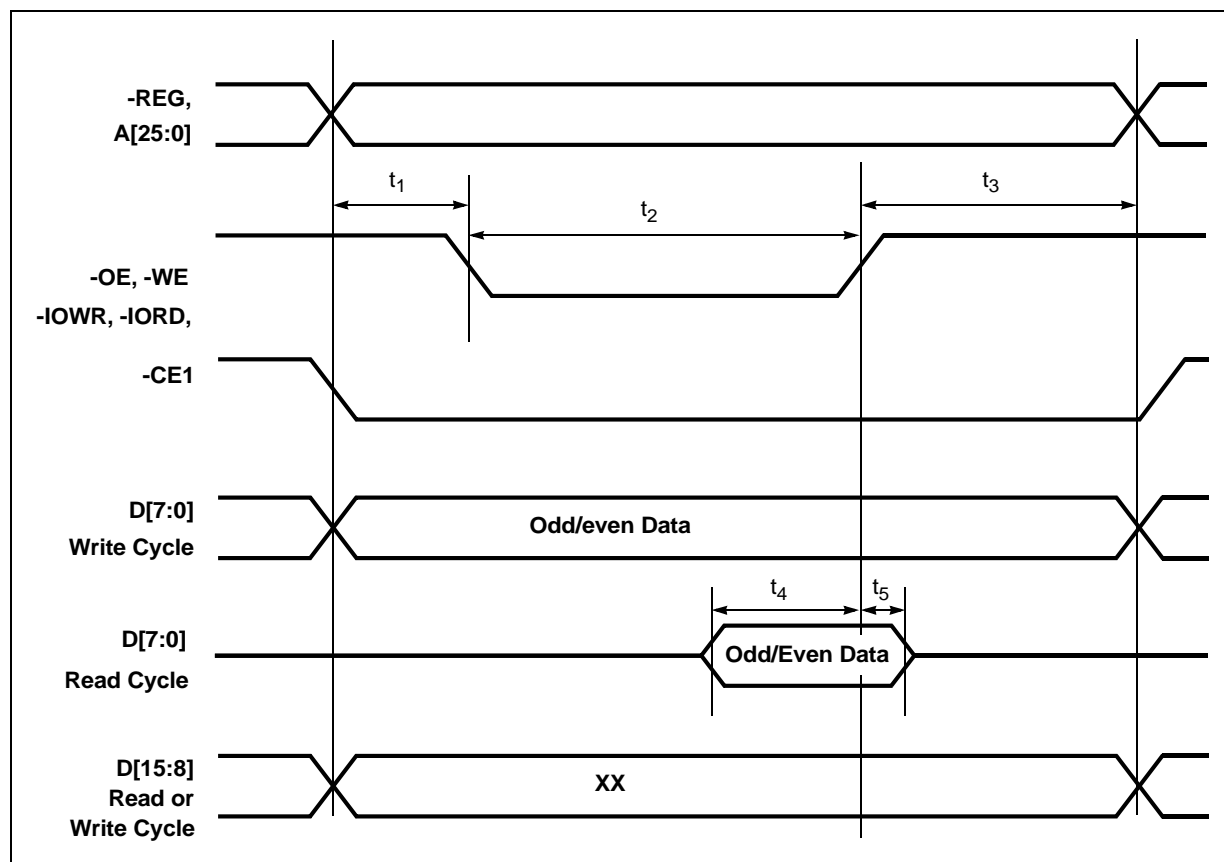


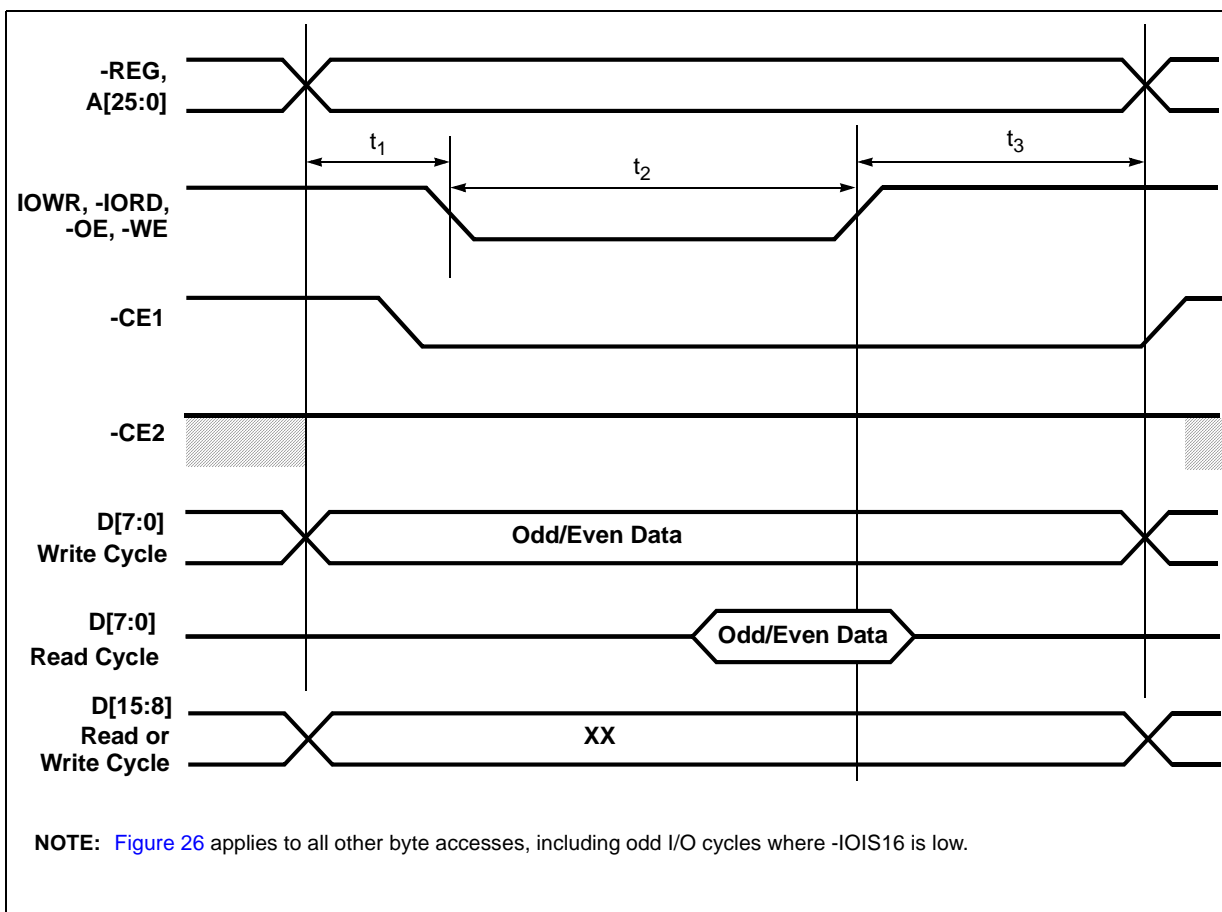
Table 34. Normal Byte Read/Write Timing

Symbol	Parameter	MIN	MAX	Units
t_1	Address setup to Command active ¹	$(S \times T_{cp}) - 10$		ns
t_2	Command pulse width ²	$(C \times T_{cp}) - 10$		ns
t_3	Address hold from Command inactive ³	$(R \times T_{cp}) - 10$		ns

1. The Setup time is determined by the value programmed into the **Setup Timing** register, index 3Ah/3Dh. Using the Timer Set 0 default value of 01h, the setup time would be 70 ns. $S = (N_{pres} \times N_{val} + 1)$, see "PC Card Bus Timing Calculations" on page 109.

2. The Command time is determined by the value programmed into the **Command Timing** register, index 3Bh/3Eh. Using the Timer Set 0 default value of 06h, the Command time would be 270 ns. $C = (N_{pres} \times N_{val} + 1)$, see page 109.

3. The Recovery time is determined by the value programmed into the **Recovery Timing** register, index 3Ch/3Fh. Using the Timer Set 0 default value of 03h, the hold (Recovery) time would be 150 ns. $R = (N_{pres} \times N_{val} + 1)$, see page 109.

Figure 26. Normal Byte Read/Write Timing

Table 35. 16-Bit System to 8-Bit I/O Card: Odd Byte Timing

Symbol	Parameter	MIN	MAX	Units
t_1	Address change to -IOIS16 inactive ⁴		$(3T_{cp}) + 10$	ns
t_2	-IOIS16 inactive to -CE2 inactive		20	ns
t_3	-IOIS16 inactive to -CE1 active		20	ns
t_4	Address setup to Command active ¹	$(S \times T_{cp}) - 10$		ns
t_5	Command pulse width ²	$(C \times T_{cp}) - 10$		ns
t_6	Address hold from Command inactive ³	$(R \times T_{cp}) - 10$		ns

1. The Setup time is determined by the value programmed into the **Setup Timing** register, index 3Ah/3Dh. Using the Timer Set 0 default value of 01h, the setup time would be 70 ns. $S = (N_{pres} \times N_{val} + 1)$, see ["PC Card Bus Timing Calculations" on page 109](#).
2. The Command time is determined by the value programmed into the **Command Timing** register, index 3Bh/3Eh. Using the Timer Set 0 default value of 06h, the Command time would be 270 ns. $C = (N_{pres} \times N_{val} + 1)$, see page 109.
3. The Recovery time is determined by the value programmed into the **Recovery Timing** register, index 3Ch/3Fh. Using the Timer Set 0 default value of 03h, the hold (Recovery) time would be 150 ns. $R = (N_{pres} \times N_{val} + 1)$, see page 109.
4. -IOIS16 level from card should be valid before -IOWR/-IORD goes active. For a typical setup time of 70 ns, a PC Card meeting the PCMCIA specification for -IOIS16 from A[25:0] change will meet this condition.

Figure 27. 16-Bit System to 8-Bit I/O Card: Odd Byte Timing

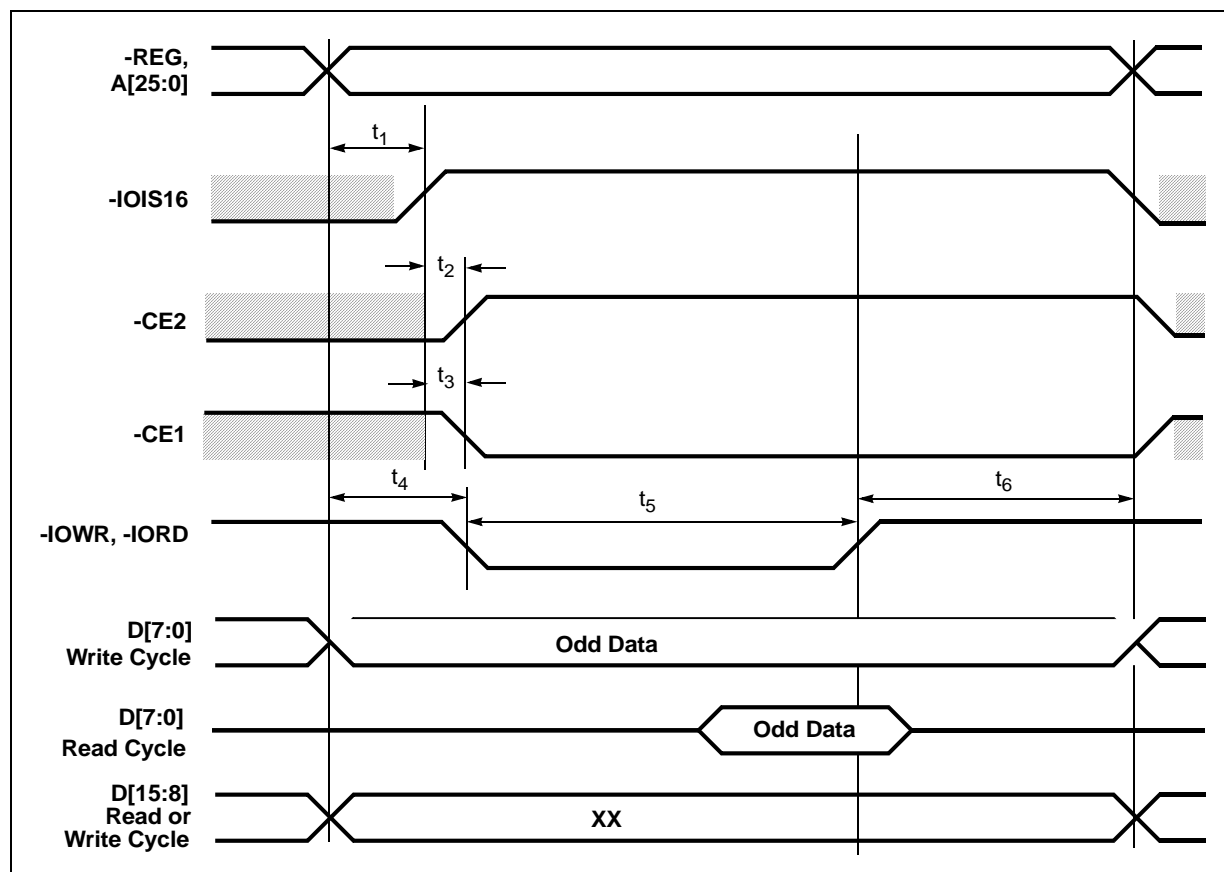


Table 36. DMA Read Cycle Timing (PD6722 only) (Sheet 1 of 2)

Symbol	Parameter	MIN	MAX	Units
t ₁	DRQ (IRQ10) and DACK* (IRQ9) active to DMA cycle begin	40		ns
t ₂	-CE[2:1], -REG, -IORD, -OE, and Write Data setup to -IOWR active ¹	$(S \times T_{cp}) - 10$		ns
t ₃	Command: -IOWR pulse width ²	$(C \times T_{cp}) - 10$		ns
t ₄	Recovery: -IOWR inactive to end of cycle ³	$(R \times T_{cp}) - 10$		ns
t ₅	-WAIT active from -IOWR active		$(C - 2)T_{cp} - 10$	ns
t ₆	-WAIT inactive to -IOWR inactive	2 T _{cp}		ns

1. The Setup time is determined by the value programmed into the **Setup Timing** register, index 3Ah/3Dh. Using the Timer Set 0 default value of 01h, the setup time would be 70 ns. $S = (N_{pres} \times N_{val} + 1)$, see "PC Card Bus Timing Calculations" on page 109.

2. The Command time is determined by the value programmed into the **Command Timing** register, index 3Bh/3Eh. Using the Timer Set 0 default value of 06h, the Command time would be 270 ns. $C = (N_{pres} \times N_{val} + 1)$, see page 109.

3. The Recovery time is determined by the value programmed into the **Recovery Timing** register, index 3Ch/3Fh. Using the Timer Set 0 default value of 03h, the hold (Recovery) time would be 150 ns. $R = (N_{pres} \times N_{val} + 1)$, see page 109.

4. Based on an internal clock period of 40 ns (25 MHz).

Table 36. DMA Read Cycle Timing (PD6722 only) (Sheet 2 of 2)

Symbol	Parameter	MIN	MAX	Units
t_7	System TC (-VPP_VALID high) to -IOWR	-40		ns
t_8	-IOWR to begin of card TC (-WE) ⁴	25	50	ns
t_9	End of card TC (-WE) to -IOWR inactive ⁴	25	50	ns

1. The Setup time is determined by the value programmed into the **Setup Timing** register, index 3Ah/3Dh. Using the Timer Set 0 default value of 01h, the setup time would be 70 ns. $S = (N_{pres} \times N_{val} + 1)$, see "PC Card Bus Timing Calculations" on page 109.
 2. The Command time is determined by the value programmed into the **Command Timing** register, index 3Bh/3Eh. Using the Timer Set 0 default value of 06h, the Command time would be 270 ns. $C = (N_{pres} \times N_{val} + 1)$, see page 109.
 3. The Recovery time is determined by the value programmed into the **Recovery Timing** register, index 3Ch/3Fh. Using the Timer Set 0 default value of 03h, the hold (Recovery) time would be 150 ns. $R = (N_{pres} \times N_{val} + 1)$, see page 109.
 4. Based on an internal clock period of 40 ns (25 MHz).

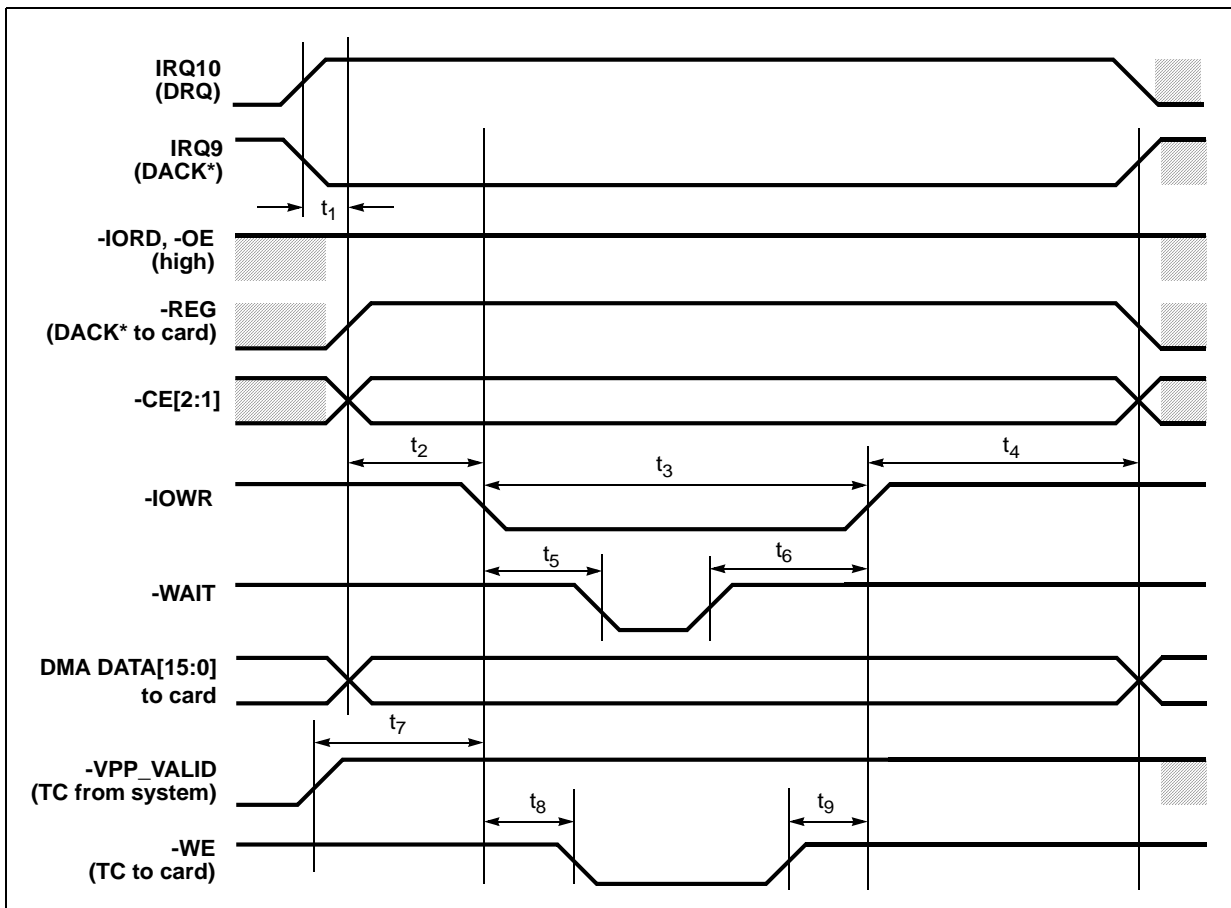
Figure 28. DMA Read Cycle Timing


Table 37. DMA Write Cycle Timing (PD6722 only)

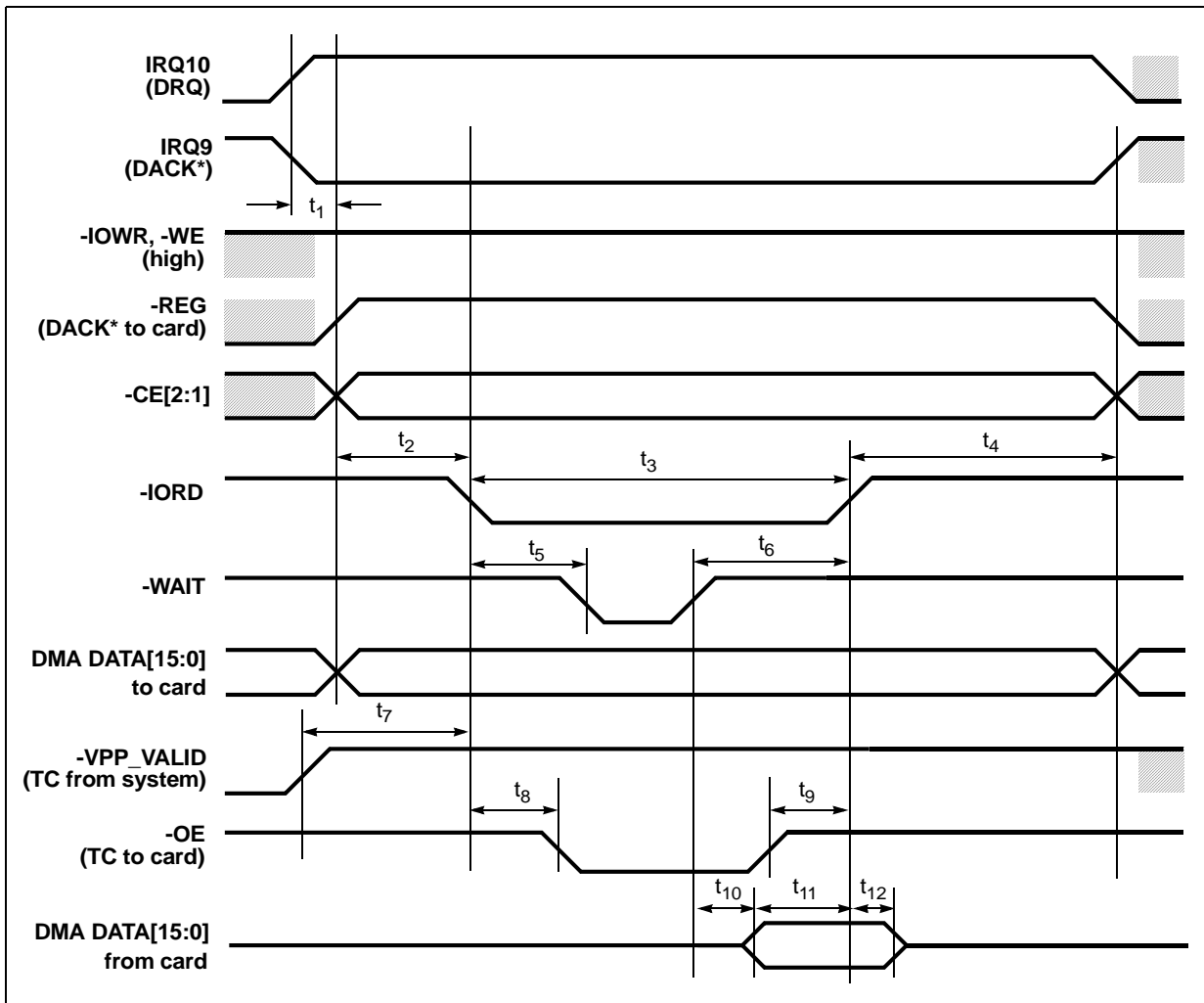
Symbol	Parameter	MIN	MAX	Units
t ₁	DRQ (IRQ10) and DACK* (IRQ9) active to DMA cycle begin	40		ns
t ₂	-CE[2:1], -REG, -IOWR, -WE, and Write Data setup to -IORD active ¹	$(S \times T_{cp}) - 10$		ns
t ₃	Command: -IORD pulse width ²	$(C \times T_{cp}) - 10$		ns
t ₄	Recovery: -IORD inactive to end of cycle ³	$(R \times T_{cp}) - 10$		ns
t ₅	-WAIT active from -IORD active		$(C - 2)T_{cp} - 10$	ns
t ₆	-WAIT inactive to -IORD inactive	2 T _{cp}		ns
t ₇	System TC (-VPP_VALID high) to -IORD	-40		ns
t ₈	-IORD to begin of card TC (-OE) ⁴	25	50	ns
t ₉	End of card TC (-OE) to -IORD inactive ⁴	25	50	ns
t ₁₀	Data valid from -WAIT inactive	T _{cp} + 10		ns
t ₁₁	Data setup before -OE inactive	$(2 T_{cp}) + 10$		ns
t ₁₂	Data hold after -OE inactive	0		ns

1. The Setup time is determined by the value programmed into the **Setup Timing** register, index 3Ah/3Dh. Using the Timer Set 0 default value of 01h, the setup time would be 70 ns. $S = (N_{pres} \times N_{val} + 1)$, see ["PC Card Bus Timing Calculations" on page 109](#).

2. The Command time is determined by the value programmed into the **Command Timing** register, index 3Bh/3Eh. Using the Timer Set 0 default value of 06h, the Command time would be 270 ns. $C = (N_{pres} \times N_{val} + 1)$, see page 109.

3. The Recovery time is determined by the value programmed into the **Recovery Timing** register, index 3Ch/3Fh. Using the Timer Set 0 default value of 03h, the hold (Recovery) time would be 150 ns. $R = (N_{pres} \times N_{val} + 1)$, see page 109.

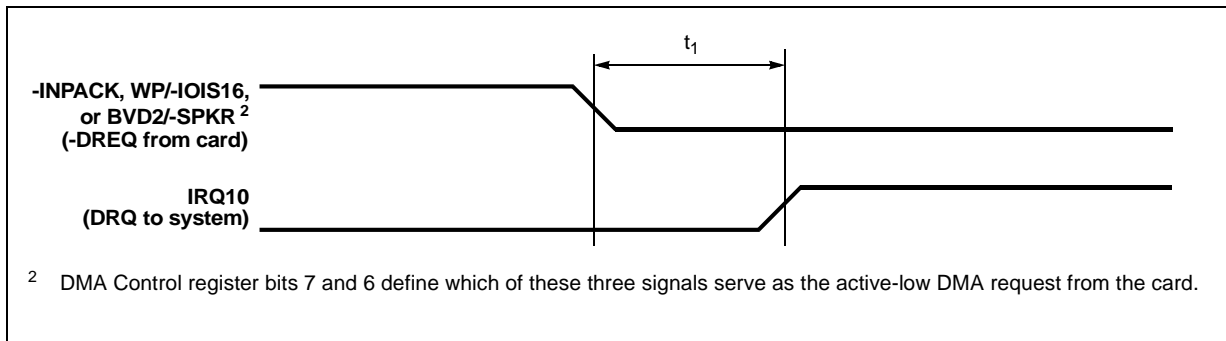
4. Based on an internal clock period of 40 ns (25 MHz).

Figure 29. DMA Write Cycle Timing

Table 38. DMA Request Timing (PD6722 only)

Symbol	Parameter	MIN	MAX	Units
t_1	DMA request from socket interface to system ¹	40		ns

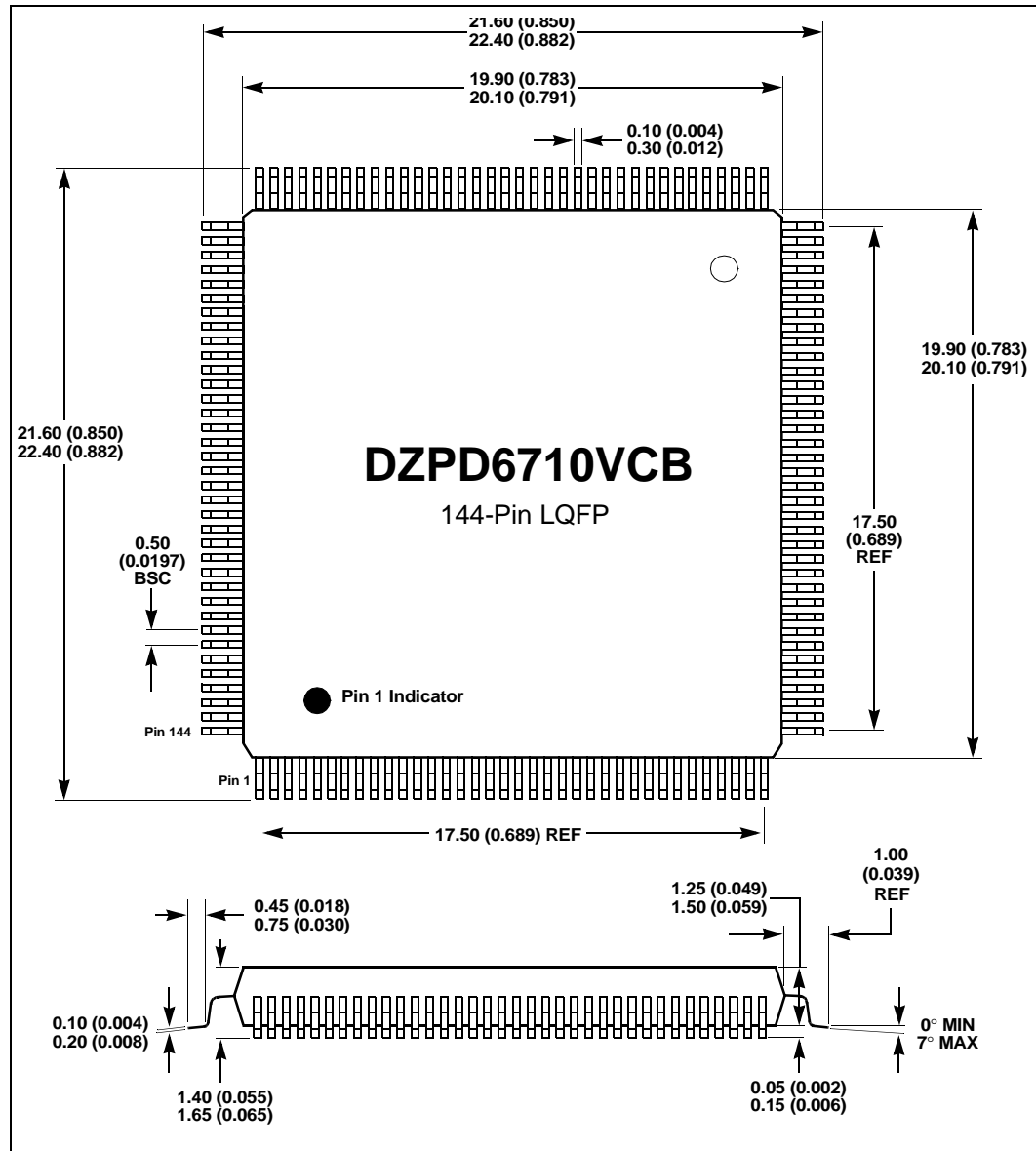
1. After FIFO empty, DMA requests held off from being presented to the system until all write data to a card has been emptied from the socket interface FIFO.

Figure 30. DMA Request Timing



17.0 Package Specifications

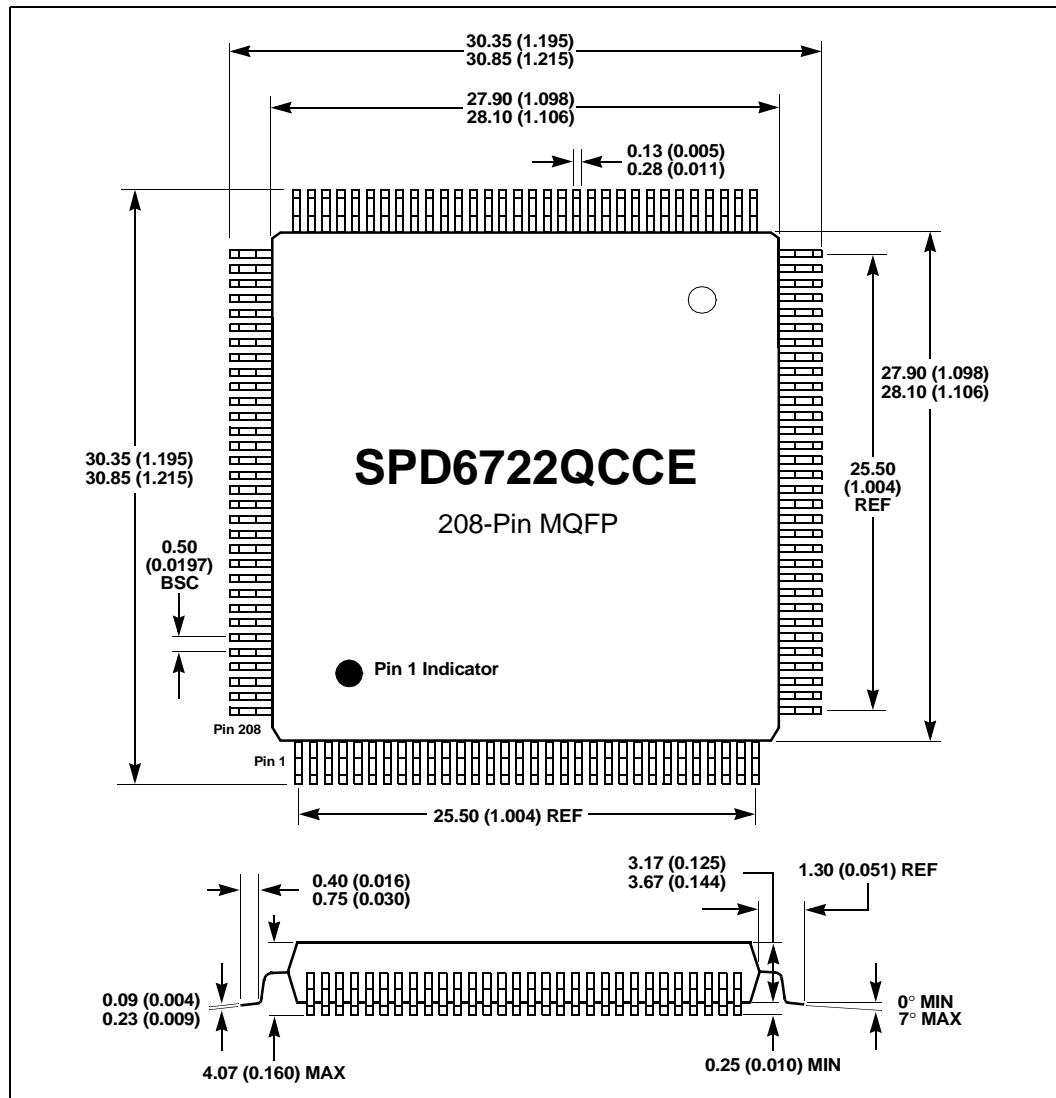
17.1 144-Pin LQFP Package



NOTES:

1. Dimensions are in millimeters (inches), and controlling dimension is millimeter.
2. Before beginning any new design with this device, please contact Intel Corp. for the latest package information.

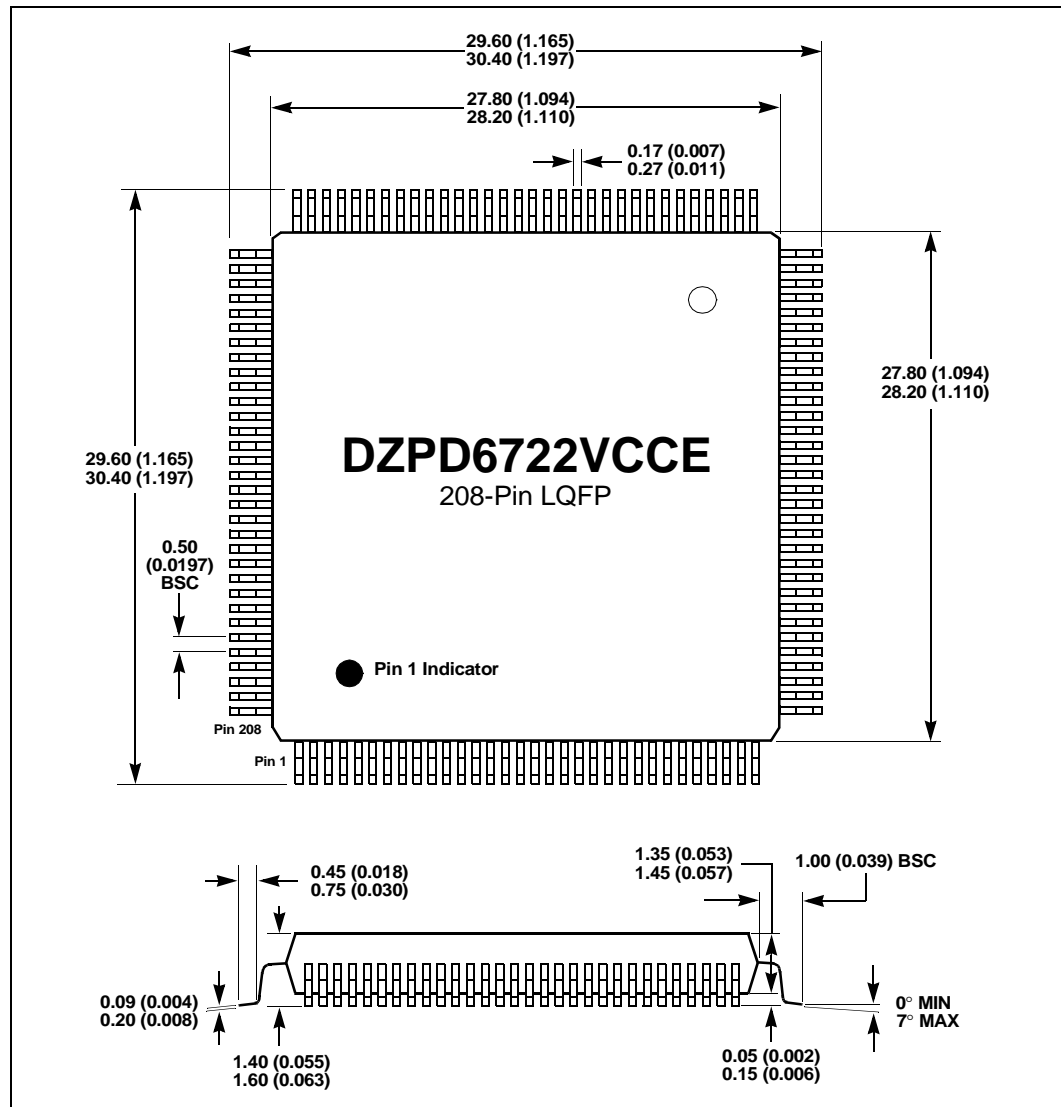
17.2 208-Pin MQFP Package



NOTES:

1. Dimensions are in millimeters (inches), and controlling dimension is inches.
2. Drawing above does not reflect exact package pin count.
3. Before beginning any new design with this device, please contact Intel Corp. for the latest package information.

17.3 208-Pin LQFP Package

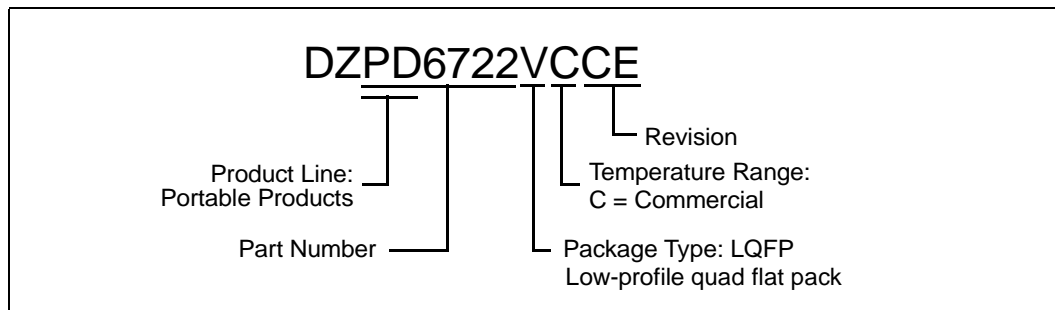
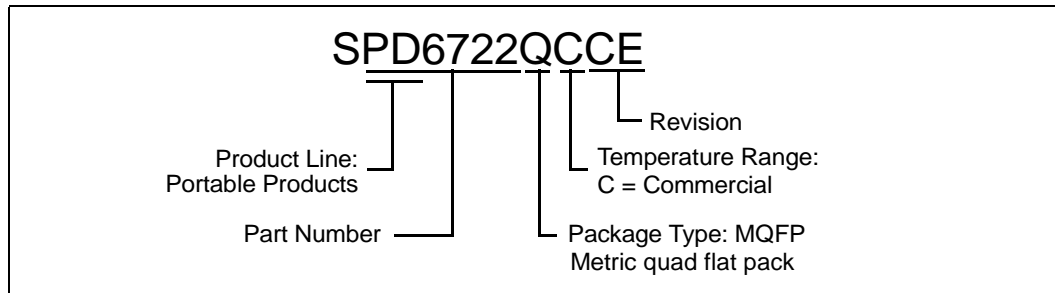
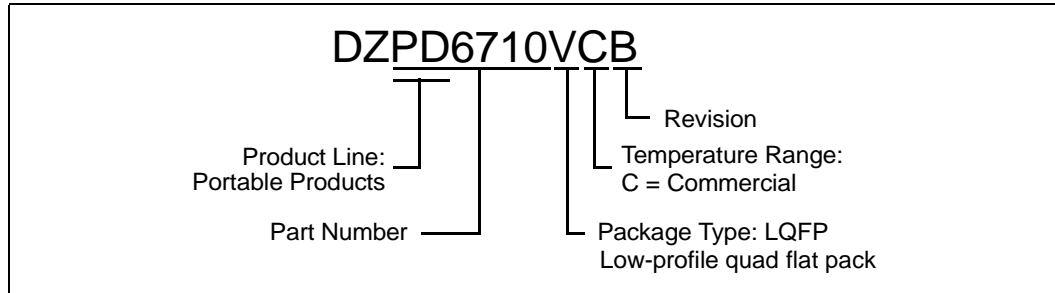


NOTES:

1. Dimensions are in millimeters (inches), and controlling dimension is inches.
2. Drawing above does not reflect exact package pin count.
3. Before beginning any new design with this device, please contact Intel Corp. for the latest package information.

18.0 Order Numbers Example

The example order numbers for PD67XX devices are as follows:



19.0 Appendix A

19.1 Register Summary Tables

19.1.1 Operation Registers

<i>Register Name: Index</i>				<i>Register Per: chip</i>			
<i>Index: n/a</i>				<i>Register Compatibility Type: 365</i>			
<i>Bit 7</i>	<i>Bit 6</i>	<i>Bit 5</i>	<i>Bit 4</i>	<i>Bit 3</i>	<i>Bit 2</i>	<i>Bit 1</i>	<i>Bit 0</i>
Device Index	Socket Index			Register Index			
RW:0	RW:0			RW:000000			

<i>Register Name: Data</i>				<i>Register Per: chip</i>			
<i>Index: n/a</i>				<i>Register Compatibility Type: 365</i>			
<i>Bit 7</i>	<i>Bit 6</i>	<i>Bit 5</i>	<i>Bit 4</i>	<i>Bit 3</i>	<i>Bit 2</i>	<i>Bit 1</i>	<i>Bit 0</i>
Data							

19.2 Chip Control Registers

<i>Register Name: Chip Revision</i>				<i>Register Per: chip</i>			
<i>Index: 00h</i>				<i>Register Compatibility Type: 365</i>			
<i>Bit 7</i>	<i>Bit 6</i>	<i>Bit 5</i>	<i>Bit 4</i>	<i>Bit 3</i>	<i>Bit 2</i>	<i>Bit 1</i>	<i>Bit 0</i>
Interface ID				Revision			
R:10		R:0	R:0	R:001 ¹			
1. Value for the current stepping only.							

Register Name: Interface Status						Register Per: socket	
Index: 01h						Register Compatibility Type: 365	
Bit 7	Bit 6	Bit 5	Bit 4	Bit 3	Bit 2	Bit 1	Bit 0
-VPP_VALID		RDY	WP	-CD2	-CD1	BVD2	BVD1
V _{PP} Valid	Card Power On	Ready/Busy*	Write Protect	Card Detect		Battery Voltage Detect	
R ¹	R:0	R ²	R ³	R ⁴		R ⁵	

1. Bit 7 is the inversion of the value of the -VPP_VALID pin (see [Table 1 on page 16](#)).
2. Bit 5 is the value of the RDY/-IREQ pin (see [Table 2 on page 20](#)).
3. Bit 4 is the value of the WP/-IOIS16 pin (see [Table 2](#)).
4. Bits 3:2 are the inversion of the values of the -CD1 and -CD2 pins (see [Table 2](#)).
5. Bits 1:0 are the values of the BVD1/-STSCHG and BVD2/-SPKR pins (see [Table 2](#)).

Register Name: Power Control						Register Per: socket	
Index: 02h						Register Compatibility Type: 365	
Bit 7	Bit 6	Bit 5	Bit 4	Bit 3	Bit 2	Bit 1	Bit 0
Card Enable	Compatibility Bit	Auto-Power	V _{CC} Power	Compatibility Bits		V _{PP1} Power	
RW:0	RW:0	RW:0	RW:0	RW:00		RW:00	

Register Name: Interrupt and General Control						Register Per: socket	
Index: 03h						Register Compatibility Type: 365	
Bit 7	Bit 6	Bit 5	Bit 4	Bit 3	Bit 2	Bit 1	Bit 0
Ring Indicate Enable	Card Reset*	Card Is I/O	Enable Management Interrupts	Card IRQ Select			
RW:0	RW:0	RW:0	RW:0	RW:0000			

Register Name: Card Status Change						Register Per: socket	
Index: 04h						Register Compatibility Type: 365	
Bit 7	Bit 6	Bit 5	Bit 4	Bit 3	Bit 2	Bit 1	Bit 0
				Card Detect Change	Ready Change	Battery Warning Change	Battery Dead Or Status Change
R:0	R:0	R:0	R:0	R:0	R:0	R:0	R:0

Register Name: Management Interrupt Configuration							Register Per: socket
Index: 05h							Register Compatibility Type: 365
Bit 7	Bit 6	Bit 5	Bit 4	Bit 3	Bit 2	Bit 1	Bit 0
Management IRQ Select				Card Detect Enable	Ready Enable	Battery Warning Enable	Battery Dead Or Status Change Enable
RW:0000				RW:0	RW:0	RW:0	RW:0

Register Name: Mapping Enable							Register Per: socket
Index: 06h							Register Compatibility Type: 365
Bit 7	Bit 6	Bit 5	Bit 4	Bit 3	Bit 2	Bit 1	Bit 0
I/O Map 1 Enable	I/O Map 0 Enable	MEMCS16 Full Decode	Memory Map 4 Enable	Memory Map 3 Enable	Memory Map 2 Enable	Memory Map 1 Enable	Memory Map 0 Enable
RW:0	RW:0	RW:0	RW:0	RW:0	RW:0	RW:0	RW:0

19.3 I/O Window Mapping Registers

Register Name: I/O Window Control							Register Per: socket
Index: 07h							Register Compatibility Type: 365
Bit 7	Bit 6	Bit 5	Bit 4	Bit 3	Bit 2	Bit 1	Bit 0
Timing Register Select 1	Compatibility Bit	Auto-Size I/O Window 1	I/O Window 1 Size	Timing Register Select 0	Compatibility Bit	Auto-Size I/O Window 0	I/O Window 0 Size
RW:0	RW:0	RW:0	RW:0	RW:0	RW:0	RW:0	RW:0

Register Name: System I/O Map 0–1 Start Address Low							Register Per: socket
Index: 08h, 0Ch							Register Compatibility Type: 365
Bit 7	Bit 6	Bit 5	Bit 4	Bit 3	Bit 2	Bit 1	Bit 0
Start Address 7:0							
RW:00000000							



Register Name: System I/O Map 0–1 Start Address High						Register Per: socket	
Index: 09h, 0Dh						Register Compatibility Type: 365	
Bit 7	Bit 6	Bit 5	Bit 4	Bit 3	Bit 2	Bit 1	Bit 0
Start Address 15:8							
RW:00000000							

Register Name: System I/O Map 0–1 End Address Low						Register Per: socket	
Index: 0Ah, 0Eh						Register Compatibility Type: 365	
Bit 7	Bit 6	Bit 5	Bit 4	Bit 3	Bit 2	Bit 1	Bit 0
End Address 7:0							
RW:00000000							

Register Name: System I/O Map 0–1 End Address High						Register Per: socket	
Index: 0Bh, 0Fh						Register Compatibility Type: 365	
Bit 7	Bit 6	Bit 5	Bit 4	Bit 3	Bit 2	Bit 1	Bit 0
End Address 15:8							
RW:00000000							

Register Name: Card I/O Map 0–1 Offset Address Low						Register Per: socket	
Index: 36h, 38h						Register Compatibility Type: ext.	
Bit 7	Bit 6	Bit 5	Bit 4	Bit 3	Bit 2	Bit 1	Bit 0
Offset Address 7:1							0^1
RW:00000000							RW:0

1. This bit must be programmed to '0'.

Register Name: Card I/O Map 0–1 Offset Address High						Register Per: socket	
Index: 37h, 39h						Register Compatibility Type: ext.	
Bit 7	Bit 6	Bit 5	Bit 4	Bit 3	Bit 2	Bit 1	Bit 0
Offset Address 15:8							
RW:00000000							

19.4 Memory Window Mapping Registers

<i>Register Name:</i> System Memory Map 0–4 Start Address Low							<i>Register Per:</i> socket
<i>Index:</i> 10h, 18h, 20h, 28h, 30h							<i>Register Compatibility Type:</i> 365
<i>Bit 7</i>	<i>Bit 6</i>	<i>Bit 5</i>	<i>Bit 4</i>	<i>Bit 3</i>	<i>Bit 2</i>	<i>Bit 1</i>	<i>Bit 0</i>
Start Address 19:12							
RW:00000000							

<i>Register Name:</i> System Memory Map 0–4 Start Address High							<i>Register Per:</i> socket
<i>Index:</i> 11h, 19h, 21h, 29h, 31h							<i>Register Compatibility Type:</i> 365
<i>Bit 7</i>	<i>Bit 6</i>	<i>Bit 5</i>	<i>Bit 4</i>	<i>Bit 3</i>	<i>Bit 2</i>	<i>Bit 1</i>	<i>Bit 0</i>
Window Data Size	Compatibility Bit	Scratchpad Bits		Start Address 23:20			
RW:0	RW:0	RW:00		RW:0000			

<i>Register Name:</i> System Memory Map 0–4 End Address Low							<i>Register Per:</i> socket
<i>Index:</i> 12h, 1Ah, 22h, 2Ah, 32h							<i>Register Compatibility Type:</i> 365
<i>Bit 7</i>	<i>Bit 6</i>	<i>Bit 5</i>	<i>Bit 4</i>	<i>Bit 3</i>	<i>Bit 2</i>	<i>Bit 1</i>	<i>Bit 0</i>
End Address 19:12							
RW:00000000							

<i>Register Name:</i> System Memory Map 0–4 End Address High							<i>Register Per:</i> socket
<i>Index:</i> 13h, 1Bh, 23h, 2Bh, 33h							<i>Register Compatibility Type:</i> 365
<i>Bit 7</i>	<i>Bit 6</i>	<i>Bit 5</i>	<i>Bit 4</i>	<i>Bit 3</i>	<i>Bit 2</i>	<i>Bit 1</i>	<i>Bit 0</i>
Card Timer Select		Scratchpad Bits		End Address 23:20			
RW:00		RW:00		RW:0000			

<i>Register Name:</i> Card Memory Map 0–4 Offset Address Low							<i>Register Per:</i> socket
<i>Index:</i> 14h, 1Ch, 24h, 2Ch, 34h							<i>Register Compatibility Type:</i> 365
<i>Bit 7</i>	<i>Bit 6</i>	<i>Bit 5</i>	<i>Bit 4</i>	<i>Bit 3</i>	<i>Bit 2</i>	<i>Bit 1</i>	<i>Bit 0</i>
Offset Address 19:12							
RW:00000000							



Register Name: Card Memory Map 0–4 Offset Address High						Register Per: socket	
Index: 15h, 1Dh, 25h, 2Dh, 35h						Register Compatibility Type: 365	
Bit 7	Bit 6	Bit 5	Bit 4	Bit 3	Bit 2	Bit 1	Bit 0
Write Protect	REG Setting	Offset Address 25:20					
RW:0	RW:0	RW:000000					

19.5 Extension Registers

Register Name: Misc Control 1						Register Per: socket	
Index: 16h						Register Compatibility Type: ext.	
Bit 7	Bit 6	Bit 5	Bit 4	Bit 3	Bit 2	Bit 1	Bit 0
Inpack Enable	Scratchpad Bits		Speaker Enable	Pulse System IRQ	Pulse Management Interrupt	V _{CC} 3.3V	5 V Detect (PD6710) Reserved (PD6722)
RW:0	RW:00		RW:0	RW:0	RW:0	RW:0	R:X W:0

Register Name: FIFO Control						Register Per: socket	
Index: 17h						Register Compatibility Type: ext.	
Bit 7	Bit 6	Bit 5	Bit 4	Bit 3	Bit 2	Bit 1	Bit 0
Empty Write FIFO	Scratchpad Bits ¹						
RW	RW:0000000						
1. Because a write will flush the FIFO, these scratchpad bits should be used only when card activity is guaranteed not to occur.							

Register Name: Misc Control 2						Register Per: chip	
Index: 1Eh						Register Compatibility Type: ext.	
Bit 7	Bit 6	Bit 5	Bit 4	Bit 3	Bit 2	Bit 1	Bit 0
IRQ15 Is RI Out	DMA System (PD6722)	Three-State Bit 7	Drive LED Enable	5V Core	Suspend	Low-Power Dynamic Mode	Bypass Frequency Synthesizer
RW:0	RW:0	RW:0	RW:0	RW:0	RW:0	RW:1	RW:0

Register Name: Chip Information						Register Per: chip	
Index: 1Fh						Register Compatibility Type: ext.	
<i>Bit 7</i>	<i>Bit 6</i>	<i>Bit 5</i>	<i>Bit 4</i>	<i>Bit 3</i>	<i>Bit 2</i>	<i>Bit 1</i>	<i>Bit 0</i>
PC Card Controller Identification		Dual/Single Socket*	PD67XX Revision Level			Reserved	
R:11		R:n ¹	R:nnnn ²			R:n ³	
1. The value for PD6710 is '0', and the value for PD6722 is '1'. 2. This read-only value depends on the revision level of the PD67XX chip. 3. The value for PD6722 is '1'.							

Register Name: ATA Control						Register Per: socket	
Index: 26h						Register Compatibility Type: ext.	
<i>Bit 7</i>	<i>Bit 6</i>	<i>Bit 5</i>	<i>Bit 4</i>	<i>Bit 3</i>	<i>Bit 2</i>	<i>Bit 1</i>	<i>Bit 0</i>
A25/CSEL	A24/M/S*	A23/VU	A22	A21	Scratchpad Bit	Speaker Is LED Input	ATA Mode
RW:0	RW:0	RW:0	RW:0	RW:0	RW:0	RW:0	RW:0

Register Name: Extended Index (PD6722 only)				Register Per: socket			
Index: 2Eh				Register Compatibility Type: ext.			
<i>Bit 7</i>	<i>Bit 6</i>	<i>Bit 5</i>	<i>Bit 4</i>	<i>Bit 3</i>	<i>Bit 2</i>	<i>Bit 1</i>	<i>Bit 0</i>
Extended Index							
RW:00000000							

Register Name: Extended Data (PD6722 only)				Register Per: socket			
Index: 2Fh				Register Compatibility Type: ext.			
<i>Bit 7</i>	<i>Bit 6</i>	<i>Bit 5</i>	<i>Bit 4</i>	<i>Bit 3</i>	<i>Bit 2</i>	<i>Bit 1</i>	<i>Bit 0</i>
Extended Data							

Register Name: Data Mask 0 (PD6722 only)				Extended Index: 01h		Register Per: socket	
Index: 2Fh				Register Compatibility Type: ext.			
<i>Bit 7</i>	<i>Bit 6</i>	<i>Bit 5</i>	<i>Bit 4</i>	<i>Bit 3</i>	<i>Bit 2</i>	<i>Bit 1</i>	<i>Bit 0</i>
Data Mask Select 0							
RW:00000000							



Register Name: Data Mask 1 (PD6722 only)				Extended Index: 02h		Register Per: socket	
Index: 2Fh				Register Compatibility Type: ext.			
Bit 7	Bit 6	Bit 5	Bit 4	Bit 3	Bit 2	Bit 1	Bit 0
Data Mask Select 1							
RW:00000000							

Register Name: Extension Control 1 (PD6722 only)				Extended Index: 03h		Register Per: socket	
Index: 2Fh				Register Compatibility Type: ext.			
Bit 7	Bit 6	Bit 5	Bit 4	Bit 3	Bit 2	Bit 1	Bit 0
DMA Enable		Pull-up Control	Reserved		LED Activity Enable	Auto Power Clear Disable	V _{CC} Power Lock
RW:00		RW:0	RW:00		RW:0	RW:0	RW:0

Register Name: Maximum DMA Acknowledge Delay (PD6722 only)				Extended Index: 04h		Register Per: socket	
Index: 2Fh				Register Compatibility Type: ext.			
Bit 7	Bit 6	Bit 5	Bit 4	Bit 3	Bit 2	Bit 1	Bit 0
Maximum DMA Acknowledge Delay							
RW:00000000							

Register Name: External Data (PD6722 only)				Extended Index: 0Ah		Register Per: socket	
Index: 2Fh				Register Compatibility Type: ext.			
Bit 7	Bit 6	Bit 5	Bit 4	Bit 3	Bit 2	Bit 1	Bit 0
External Data 7	External Data 6	External Data 5	External Data 4	External Data 3	External Data 2	External Data 1	External Data 0
RW:0	RW:0	RW:0	RW:0	RW:0	RW:0	RW:0	RW:0

Register Name: External Data (PD6722 only)				Extended Index: 0Ah		Register Per: socket	
Index: 6Fh				Register Compatibility Type: ext.			
Bit 7	Bit 6	Bit 5	Bit 4	Bit 3	Bit 2	Bit 1	Bit 0
External Data 7	External Data 6	External Data 5	External Data 4	External Data 3 or B_VS2 Input	External Data 2 or B_VS1 Input	External Data 1 or A_VS2 Input	External Data 0 or A_VS1 Input
RW:0	RW:0	RW:0	RW:0	R:0	R:0	R:0	R:0

Register Name: Extension Control 2 (PD6722 only)				Extended Index: 0Bh		Register Per: socket	
Index: 2Fh and 6Fh				Register Compatibility Type: ext.			
Bit 7	Bit 6	Bit 5	Bit 4	Bit 3	Bit 2	Bit 1	Bit 0
Reserved		Active-high GPSTB	GPSTB on IOW*	GPSTB on IOR*	Totem-pole GPSTB	Reserved	
RW:00		RW:0	RW:0	RW:0	RW:0	RW:00	

19.6 Timing Registers

Register Name: Setup Timing 0–1				Register Per: socket			
Index: 3Ah, 3Dh				Register Compatibility Type: 365			
Bit 7	Bit 6	Bit 5	Bit 4	Bit 3	Bit 2	Bit 1	Bit 0
Setup Prescalar Select		Setup Multiplier Value					
RW:00		RW:000001					

Register Name: Command Timing 0–1				Register Per: socket			
Index: 3Bh, 3Eh				Register Compatibility Type: 365			
Bit 7	Bit 6	Bit 5	Bit 4	Bit 3	Bit 2	Bit 1	Bit 0
Command Prescalar Select		Command Multiplier Value					
RW:00		RW:000110/001111 ¹					
1. Timing set 0 (index 3Bh) resets to 06h for socket timing equal to standard AT-bus-based cycle times. Timing set 1 (3Eh) resets to 0Fh for socket timings equal to standard AT-bus timing using one additional wait state.							

Register Name: Recovery Timing 0–1				Register Per: socket			
Index: 3Ch, 3Fh				Register Compatibility Type: 365			
Bit 7	Bit 6	Bit 5	Bit 4	Bit 3	Bit 2	Bit 1	Bit 0
Recovery Prescalar Select		Recovery Multiplier Value					
RW:00		RW:000011					

Symbols

+5V 25

Numerics

5V Core bit 73

A

A[25:0] 20
A21 bit 76
A22 bit 76
A23/VU bit 76
A24/M/S* bit 76
A25/CSEL bit 76
Active-high GPSTB bit 83
AEN 17
ALE 17
ATA Control register 75
ATA mode
 description 88
 overview 36
 pin cross reference 88
ATA Mode bit 75
Auto Power Clear Disable bit 78
Auto-Power bit 50
Auto-Size I/O Window 0 bit 58
Auto-Size I/O Window 1 bit 59

B

Battery Dead Or Status Change bit 53
Battery Dead Or Status Change Enable bit 54
Battery Voltage Detect bits 47
Battery Warning Change bit 53
Battery Warning Enable bit 54
bus sizing 35
BVD1/-STSCHG/-RI 23
BVD2/-SPKR/-LED 23
Bypass Frequency Synthesizer bit 73

C

C_SEL 19
Card Detect bits 47
Card Detect Change bit 53
Card Detect Enable bit 55
Card Enable bit 50
Card I/O Map 0–1 Address Offset High registers 62
Card I/O Map 0–1 Address Offset Low registers 62
Card Is I/O bit 52
Card Memory Map 0–4 Offset Address High registers 68
Card Memory Map 0–4 Offset Address Low registers 67
Card Power On bit 48
Card Reset* bit 52
Card Status Change register 52
Card Timer Select bits 67
-CD[2:1] 22
-CE[2:1] 22
Chip Information register 74
Chip Revision register 46
CLK 19
Command Multiplier Value bits 86
Command Prescalar Select bits 86
Command Timing 0–1 registers 85
conventions
 bit naming 40
 numbers and units 11
 pin naming 14
 register headings 39

D

D[15:0] 20
Data Mask 0–1 register 78
Data Mask Select 0–1 bits 78
Data register 44

Device Index bit 41
 DMA Enable bits 79
 DMA mode
 description 97
 overview 36
 DMA Read Cycle timing 116
 DMA Request timing 119
 DMA System bit 74
 DMA Write Cycle timing 118
 Drive LED Enable bit 73
 Dual/Single Socket* bit 75

E

Empty Write FIFO bit 72
 Enable Manage Int bit 51
 End Address
 19:12 bits 66
 23:20 bits 67
 7:0 bits 61
 Extended Data register 77
 Extended Index register 77
 Extended Register Index bits 77
 Extension Control 2 register 83
 External Data bits 81, 82
 External Data register 81

F

FIFO Control register 72
 form factor 1, ??–123
 functional blocks 30

G

general-purpose strobe
 control 91
 example implementations 93
 overview 32
 suspend mode 94
 General-Purpose Strobe timing 108
 GND 25
 GPSTB 24
 GPSTB on IOR* bit 83
 GPSTB on IOW* bit 83

H

host access to registers 36

I

I/O Map 0 Enable bit 57
 I/O Map 0–1 Start Address High registers 60
 I/O Map 1 Enable bit 57
 I/O Window 0 Size bit 58
 I/O Window 1 Size bit 59
 I/O Window Control register 58
 IDE 88
 Index register 41
 -INPACK 21
 Inpack Enable bit 71
 Input Clock specification 108
 Interface ID bits 46
 Interface Status register 47
 Interrupt and General Control register 51
 interrupts 30
 -INTR 18
 IOCHRDY 17
 IOCS16* 17
 -IOIS16 21
 IOR* 16
 -IORD 21
 IOW* 16
 -IOWR 21
 -IREQ 21
 IRQ[14, 11, 7, 5:3] 18
 IRQ10 18
 IRQ10 as DRQ, description 32
 IRQ12 as LED_OUT*, description 31
 IRQ12/LED_OUT* 18
 IRQ15 as RI_OUT*, description 31
 IRQ15 Is RI Out bit 74
 IRQ15/RI_OUT* 18
 IRQ9 18
 IRQ9 as DACK*, description 32
 ISA bus timing 104
 ISA_VCC 19



L

- LA[23:17] 16
- LED 23
- LED Activity Enable bit 79
- LED_OUT* 18
- Low-Power Dynamic mode 32
- Low-Power Dynamic Mode bit 73

M

- Management Interrupt Configuration register 54
- Management IRQ Select bits 55
- Mapping Enable register 55
- MEMCS16 Full Decode bit 56
- MEMCS16* 17
- Memory Map
 - 0 Enable bit 56
- MEMR* 17
- MEMW* 17
- Misc Control 1 register 70
- Misc Control 2 register 72

N

- Normal Byte Read/Write timing 114

O

- Odd Byte timing 115
- OE 20
- ordering information 124

P

- package
 - 144-pin VQFP 121
 - 208-pin PQFP 122
 - 208-pin VQFP 123
- PC Card
 - basics 27
 - bus timing calculations 109
 - Read/Write timing 113
 - socket timing 111
 - timing 36

- PCMCIA 27
- PD67XX Revision Level bits 75
- pin descriptions 12–25
- pin diagram
 - 144-pin VQFP 13
 - 208-pin PQFP or VQFP 14
- pin usage summary 25
- power consumption 34
- Power Control register 48
- power management 32
- power-on
 - configuration 25
 - setup 38
- Pull-up Control bit 79
- Pulse Management Interrupt bit 70
- Pulse Mode Interrupt timing 107
- Pulse System IRQ bit 71
- PWRGOOD 17

R

- RDY/-IREQ 21
- Ready Change bit 53
- Ready Enable bit 54
- Ready/Busy* bit 48
- Recovery Multiplier Value bits 87
- Recovery Prescaler Select bits 87
- Recovery Timing 0–1 registers 86
- REFRESH* 17
- REG 20
- REG Setting bit 68
- Register Index bits 41
- RESET 22
- Reset timing 107
- Revision bits 46
- RI 23
- RI_OUT* 18
- Ring Indicate Enable bit 52

S

- SA[16:0] 16
- SBHE* 16
- SD[15:0] 16

Setup Multiplier Value bits 84
 Setup Prescalar Select bit 85
 Setup Timing 0–1 registers 84
 SLOT_VCC. *See* SOCKET_VCC
 socket
 accessing specific registers 42
 register per 39
 Socket Index bit 41
 socket power features 34
 SOCKET_VCC 23
 Speaker Enable bit 71
 Speaker Is LED Input bit 76
 -SPKR 23
 SPKR_OUT*/C_SEL 19
 -STSCHG 23
 Super-Suspend mode, description 33
 Suspend bit 73
 Suspend mode, description 32
 System Interrupt timing 107

T

Three-State Bit 7 bit 74
 timing
 DMA Read Cycle 116
 DMA request 119
 DMA Write Cycle 118
 General-Purpose Strobe 108
 ISA bus 104
 Normal Byte Read/Write 114
 Odd Byte 115
 PC Card bus 109
 PC Card Read/Write 113
 PC Card socket 111
 Pulse Mode Interrupt 107

Reset 107
 System Interrupt 107
 Word I/O Read/Write 112
 Timing Register Select 0 bit 58
 Timing Register Select 1 bit 59
 Totem-pole GPSTB bit 83

V

V_{CC} 3.3V bit 70
 V_{CC} Power bit 50
 V_{CC} Power Lock bit 78
 -VCC_3 24
 -VCC_5 24
 voltage sense 95–96
 overview 32
 V_{PP} Valid bit 48
 VPP_PGM 24
 -VPP_VALID 19
 VPP_VCC 24
 V_{PP1} Power bits 50

W

-WAIT 21
 -WE 21
 Window Data Size bit 65
 windowing 27
 Word I/O Read/Write timing 112
 WP/-IOIS16 21
 write FIFO 35
 Write Protect bit 48, 69

Z

ZWS* 18