

**LEAD FREE  
COMPATIBLE OPTION**

# C&K ELUM™ Series Right Angle Illuminated Latching Pushbutton



## Features/Benefits

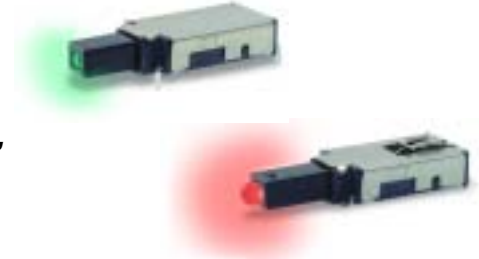
- SPDT (N.O. & N.C.)
- Low height above PCB
- Reliable self-cleaning contact
- Surface-mount or thru-hole PCB
- Standard or custom actuator
- Central LED illumination
- Latching or Momentary
- Long travel. Smooth feel
- RoHS and lead-free compliant

## Typical Applications

- Telecom network equipment
- Automotive electronics
- Consumer electronics
- Computer, server, modem, data storage
- Professional instrumentation, medical

**NEW!**

Patent Pending



## Materials

FIXED CONTACTS AND TERMINALS: Stainless steel, silver plated with gold flash (STD.)  
 MOVABLE CONTACTS: Copper alloy, silver plated with gold flash (STD.)  
 BASE: Glass filled LCP (UL94V-0)  
 ACTUATOR: Glass filled nylon 4/6 (UL94V-0)  
 COVER: Stainless steel

## Electrical

MAXIMUM POWER: 3.5 VA  
 MIN./MAX. VOLTAGE: 20 mV – 50 VDC  
 MIN./MAX. CURRENT: 0.01 mA – 250 mA  
 DIELECTRIC STRENGTH: ≥ 250 Vrms  
 CONTACT RESISTANCE: ≤ 50 mΩ  
 INSULATION RESISTANCE: ≥ 10<sup>9</sup> Ω  
 BOUNCE TIME: ≤ 1 ms  
 LED SPECIFICATIONS: See page A-5

## Mechanical

OPERATING FORCE: 2.5 N at Full Travel  
 SWITCHING TRAVEL: .067" (1.7 mm)  
 LATCH TRAVEL: .131" (3.6 mm)  
 FULL TRAVEL: .200" (5.1 mm)

## Operating Environment

OPERATING TEMPERATURE: -40°C TO 85°C.  
 STORAGE TEMPERATURE: -40°C TO 85°C.  
 RELATIVE HUMIDITY: 90% R.H. @ 85°C.  
 OPERATING LIFE: 30,000 Cycles.  
 VIBRATION: Per EIA 186-E Methods 7 & 8  
 MECHANICAL SHOCK: Per EIA 186-E Method 12.  
 OVERLOAD: Withstands 40 N for 1 minute without damage

## Process Environment

SOLDERABILITY: According to Mil STD 202F Method 208D or EIA RS-186E Method 9.  
 LEAD FREE PROCESS COMPATIBLE: 260°C peak, 10 seconds Max. above 250° C.  
 WASHING PROCESS: No clean process compatible (SMT)  
 Bottom wash compatible (Thru-hole)  
 SHEAR TEST (SWITCH/PCB): > 40 N

## Packaging

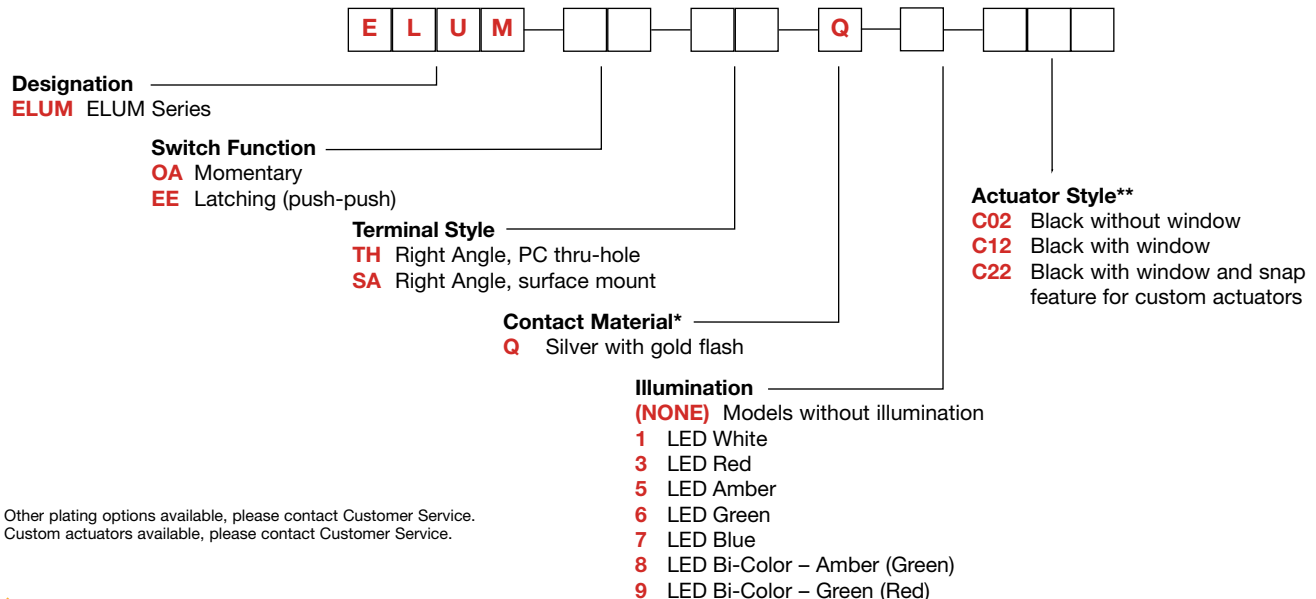
"SA" Terminal Style SMT: Tape and reel per EIA 481-2 (450/reel)  
 "TH" Terminal Style PC: Tray (60/tray)

**NOTE:** Any models supplied with Q, B or G contact material are RoHS compliant. For the latest information regarding RoHS compliance, please go to: [www.ittcannon.com/rohs](http://www.ittcannon.com/rohs).

**NOTE:** Specifications and materials listed above are for switches with standard options. For information on specific and custom switches, please contact Customer Service.

## Build-A-Switch

To order, simply select desired option from each category and place in the appropriate box.



\* Other plating options available, please contact Customer Service.  
 \*\* Custom actuators available, please contact Customer Service.



Dimensions are shown: Inches (mm)  
 Specifications and dimensions subject to change

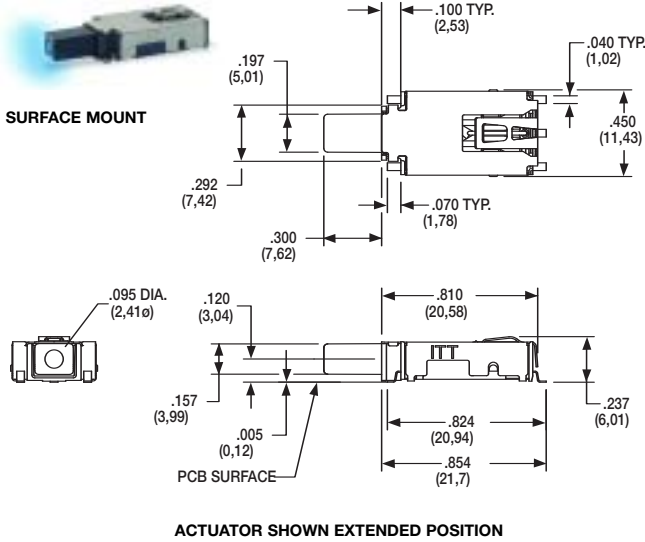


# C&K ELUM™ Series Right Angle Illuminated Latching Pushbutton

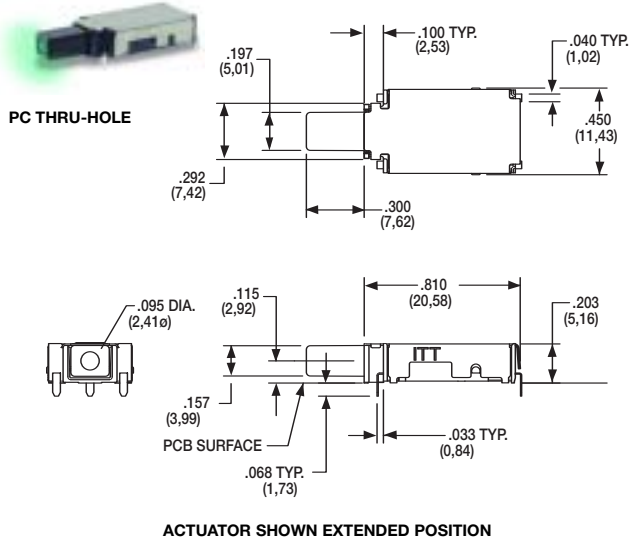
Pushbutton  
A

## STANDARD OPTIONS

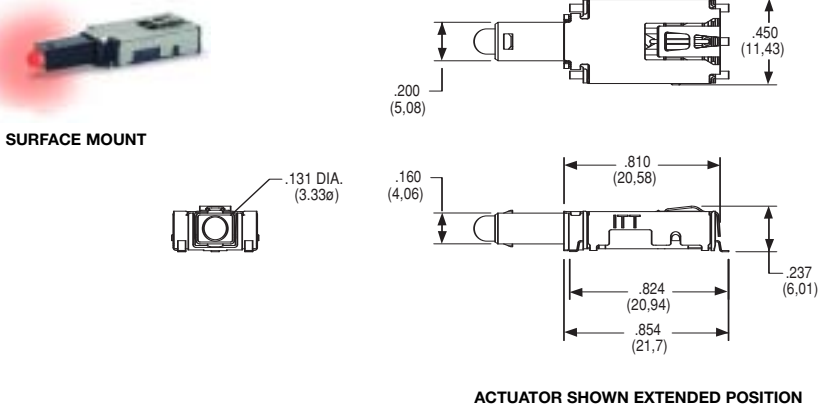
### ELUMEESAQ7C12



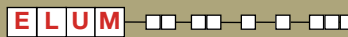
### ELUMOATHQ6C12



### ELUMEESAQ3C22

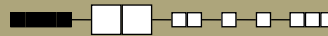


## DESIGNATION



**ELUM** ELUM SERIES, Illuminated Latching Pushbutton

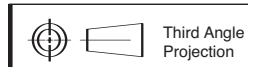
## SWITCH FUNCTION



OPTION CODE	NO. OF POLES	SWITCH FUNCTION	CONNECTED TERMINALS	SWITCH FUNCTION	CONNECTED TERMINALS	SCHEMATIC  + Anode - Cathode
<b>OA</b>	SP Momentary	ON	3 - 4	ON (Mom.)	3 - 2	
<b>EE</b>	SP Latching (Push-Push)	ON	3 - 4	ON	3 - 2	

For SPST N.O. function, only terminals 3 & 2 are used.  
For SPST N.C. function, only terminals 3 & 4 are used.  
Circuit: Make before break

LED pins 1 & 5 are independent of switch function.



Dimensions are shown: Inches (mm)  
Specifications and dimensions subject to change

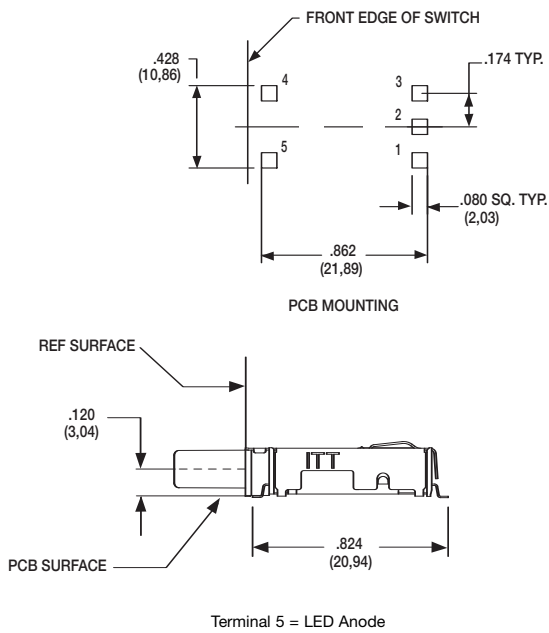
# C&K ELUM™ Series Right Angle Illuminated Latching Pushbutton



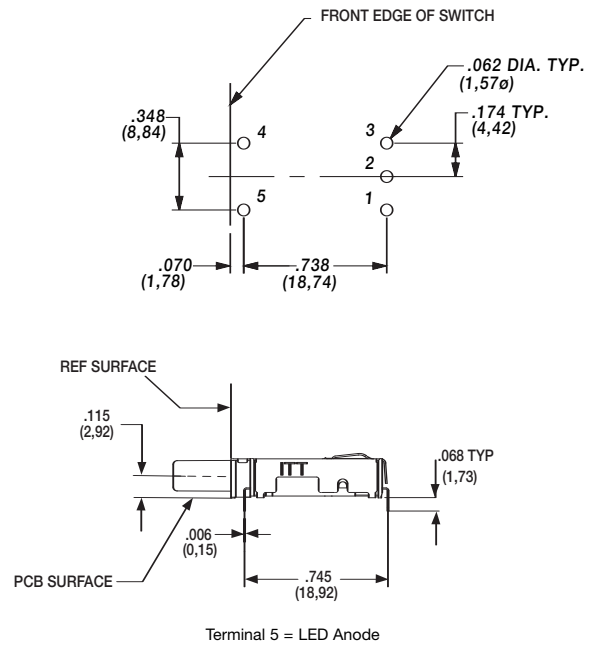
A

Pushbutton

## SA RIGHT ANGLE, SURFACE MOUNT



## TH RIGHT ANGLE, PC THRU-HOLE



## CONTACT MATERIAL

OPTION CODE	CONTACT MATERIAL	TERMINAL PLATING	RATINGS
<b>Q</b>	SILVER WITH GOLD FLASH	SILVER WITH GOLD FLASH	250 mA

FIXED CONTACTS AND TERMINALS: Stainless steel, silver plated with gold flash

MOVABLE CONTACTS: Copper alloy, silver plated with gold flash

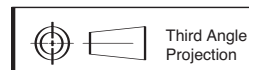
**NOTE:** Any models supplied with Q, B or G contact material are RoHS compliant.  
For the latest information regarding RoHS compliance, please go to: [www.ittcannon.com/rohs](http://www.ittcannon.com/rohs).

## ILLUMINATION

OPTION CODE	ILLUMINATION TYPE	TYPICAL INTENSITY*		PEAK WAVELENGTH	VIEWING ANGLE
		MIN	MAX		
		(mcd)		(nm)	
<b>(NONE)</b>	Model without illumination	N/A		N/A	N/A
<b>1</b>	LED Super White	4,000	5,000	N/A	30°
<b>3</b>	LED Red	4	8	700	60°
<b>5</b>	LED Amber	35	50	610	60°
<b>6</b>	LED Green	35	50	565	60°
<b>7</b>	LED Super Blue	800	1,500	470	22°
<b>8</b>	LED Bi-Color – Amber (Green)	10	10	585/565	60°
<b>9</b>	LED Bi-Color – Green (Red)	10	20	565/635	60°

\*LED FORWARD CURRENT: 20 mA  
LED FORWARD VOLTAGE: 2.0 V TYP.  
LED REVERSE VOLTAGE: 5.0 V MAX

\* For information on specific and custom LED, please contact Customer Service.



Dimensions are shown: Inches (mm)  
Specifications and dimensions subject to change



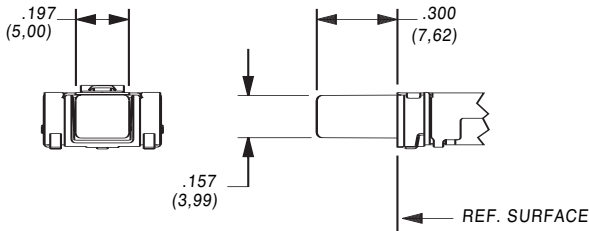
# C&K ELUM™ Series Right Angle Illuminated Latching Pushbutton

## ACTUATOR STYLE\*

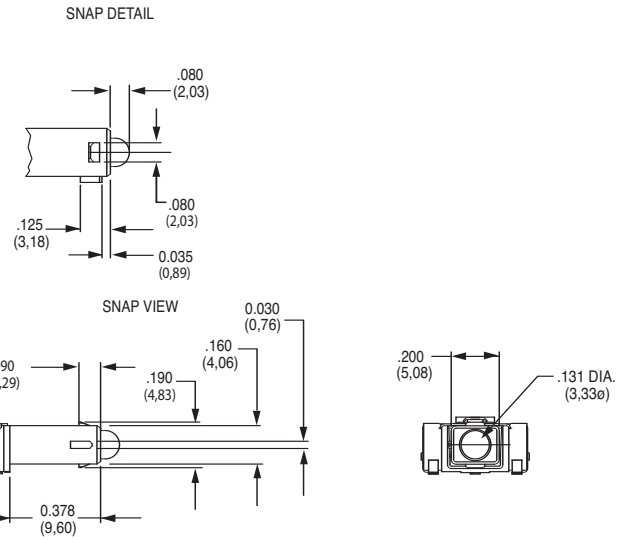


Pushbutton  
A

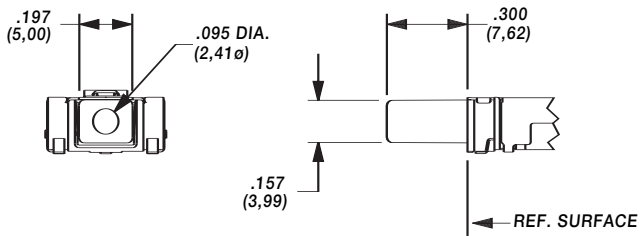
### C02 BLACK WITHOUT WINDOW



### C22 BLACK WITH WINDOW AND SNAP FEATURE TO ACCEPT CUSTOM CAP

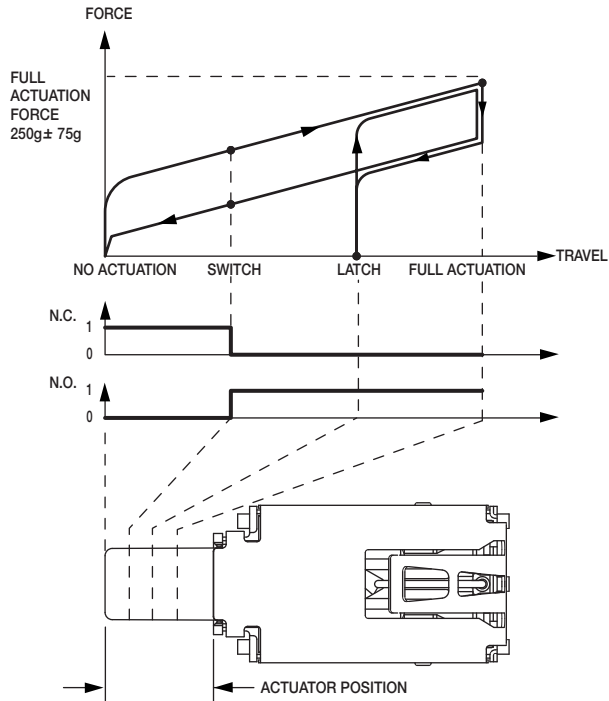


### C12 BLACK WITH WINDOW



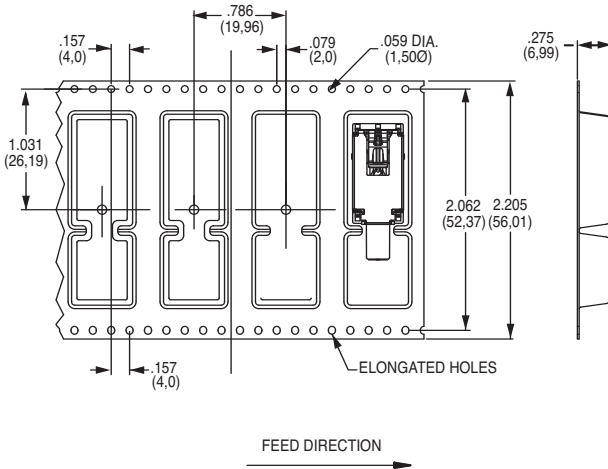
\* Custom actuators available, please contact Customer Service.

## FORCE TRAVEL DIAGRAM



	ACTUATOR POSITION	
NO ACTUATION	.300 ± .020	7,6 ± 0.5mm
SWITCH	.233 ± .020	5,9 ± 0.5mm
LATCH	.169 ± .020	4,3 ± 0.5mm
FULL ACTUATION	.100 ± .020	2,5 ± 0.5mm

## TAPE & REEL



Dimensions are shown: Inches (mm)  
Specifications and dimensions subject to change

www.ittcannon.com