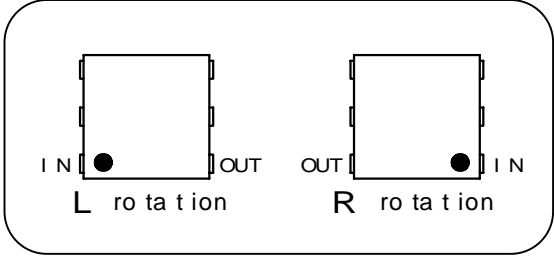


# 4mm SQUARE THIN TYPE ISOLATOR

## MODEL ESI-4AF [ ] 1.880 G 01 - T

(1)            (2)            (3)            (4) (5)        (6)

- (1) Series ESI-4AF ; 1.6 +/-0.1mm Height
- (2) Rotating Direction (R or L)
- (3) Center Frequency
- (4) G ; GHz
- (5) Control No.
- (6) T ; Taping  
Blank ; Bulk

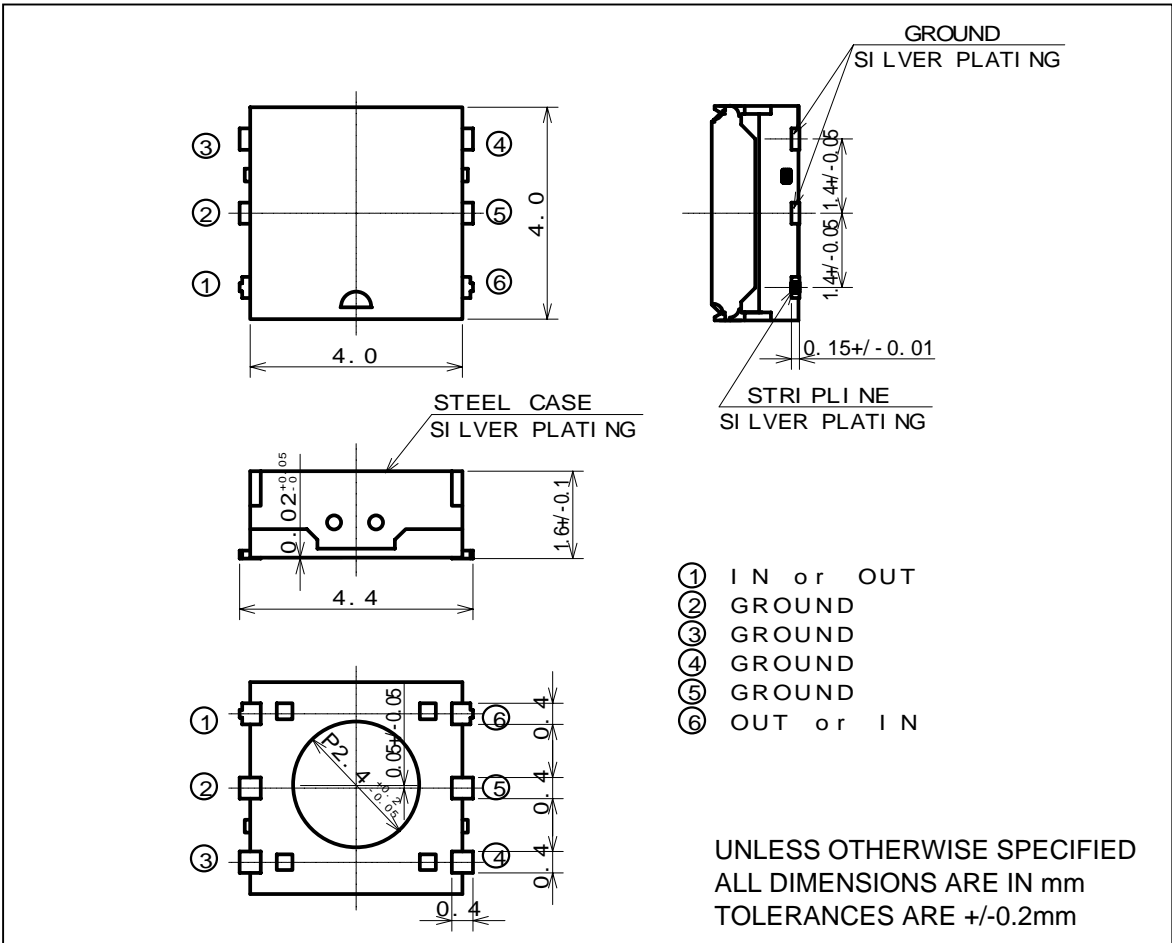


### Specification

Frequency (GHz)	Ins. Loss Max. (dB)	Isolation Min. (dB)	V.S.W.R. Max.	Attenuation		Handling Power Max. (W)	Reflection Power Max. (W)
				at 2f Min. (dB)	at 3f Min. (dB)		
1.850-1.910	0.50	15	1.5	13	15	5.0	1.0

Operating Temperature(deg.C) ; -35 to +85  
Impedance ; 50 ohms Typ.

### Shape & Size



TAE707-2

