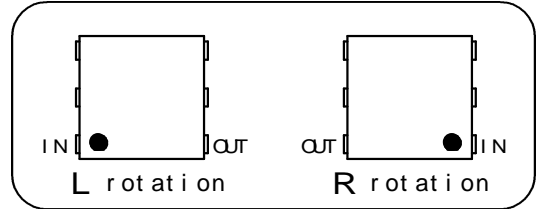


# 4mm SQUARE THIN TYPE ISOLATOR

## MODEL ESI-4DC [ ] 0836 M 01-T

(1) (2) (3) (4) (5) (6)

- (1) Series ESI-4DC ; 1.8mm Height
- (2) Rotating Direction (R or L)
- (3) Center Frequency
- (4) M ; MHz
- (5) Control No.
- (6) T ; Taping  
Blank ; Bulk

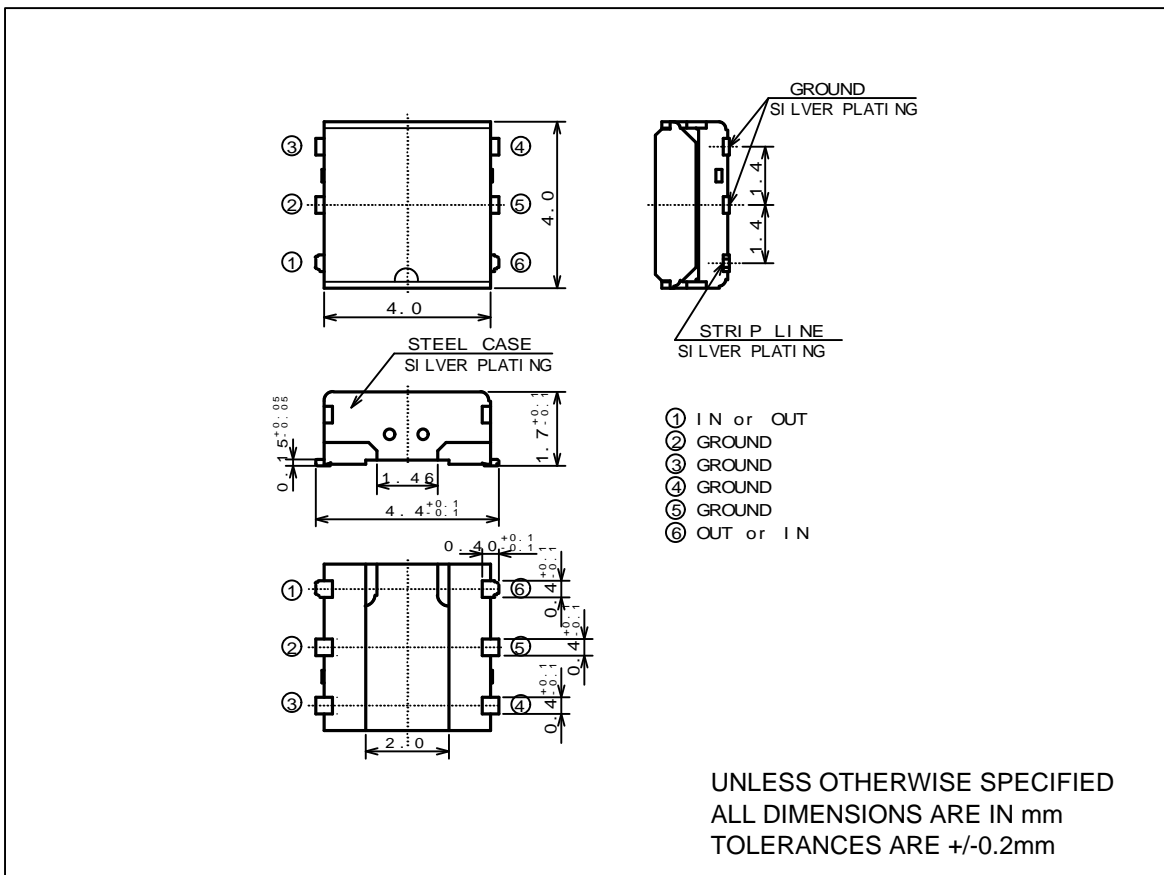


### Target Specification

Frequency (MHz)	Ins. Loss Max. (dB)	Isolation Min. (dB)	V.S.W.R. Max.	Attenuation		Handling Power Max. (W)	Reflection Power Max. (W)
				at 2f Min. (dB)	at 3f Min. (dB)		
824-849	0.75	12	1.6	15	15	5.0	1.0

Operating Temperature(deg.C) ; -35 to +85  
Impedance ; 50 ohms Typ.

### Shape & Size



TAE593-4