

Suppression Inductors, VHF Inductors

REFERENCE STANDARDS:

VDE 0565 part 2
EN 60068-1

CORE MATERIAL:

Ferrite

WINDING:

Enamelled copper wire (CuL)
or copper wire tinned

TERMINALS:

On both sides, ends tinned

TEMPERATURE:

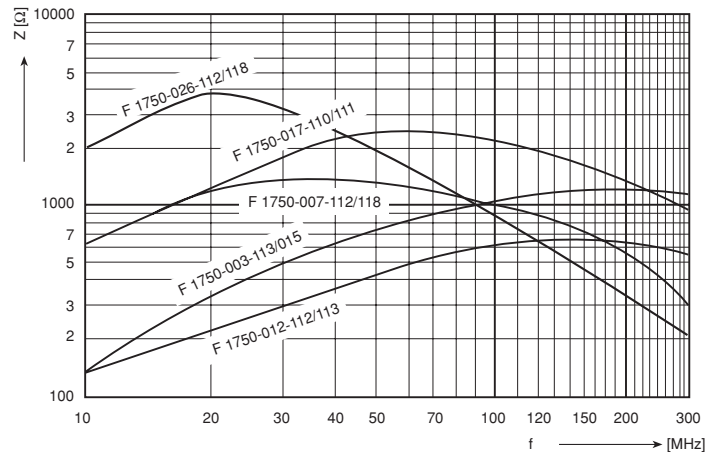
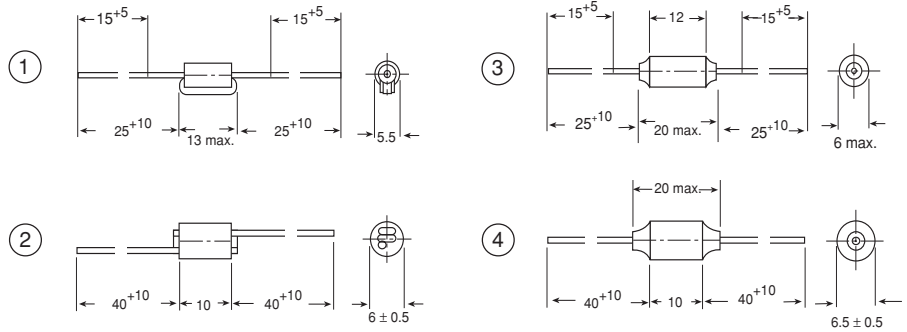
- 25°C to + 100°C

CLIMATIC TESTING CLASS ACC. TO

EN 60068-1:

25/110/21

Impedance (Z) as a function of frequency (f)
at $T_a = 20^\circ\text{C}$ (average).



RESONANCE FREQUENCY f_r (MHz)	IMPEDANCE AT f_r Z (Ω)	RATED CURRENT* (amps)	MINIMUM INDUCTANCE (μH)	APPROX. DC-RESISTANCE ($\text{m}\Omega$)	DIMENSIONAL DRAWING	ORDERING CODE
See diagram above		0.8	7.0	14	1	F1750-017-110
		0.8	7.0	14	3	F1750-017-111
		2.5	2.25	13	2	F1750-003-013
		2.5	2.25	15	4	F1750-003-015
		2.5	7.0	14	1	F1750-007-112
		2.5	7.0	14	3	F1750-007-118
		3.0	26.0	20	1	F1750-026-112
		3.0	26.0	20	3	F1750-026-118
		10.0	2.5	6	1	F1750-012-112
		10.0	2.5	6	3	F1750-012-113

*For ambient temperature of $> 40^\circ\text{C}$ the allowed current decreases in ratio to the rated current. See diagram on page 111 (Document Number 27502).