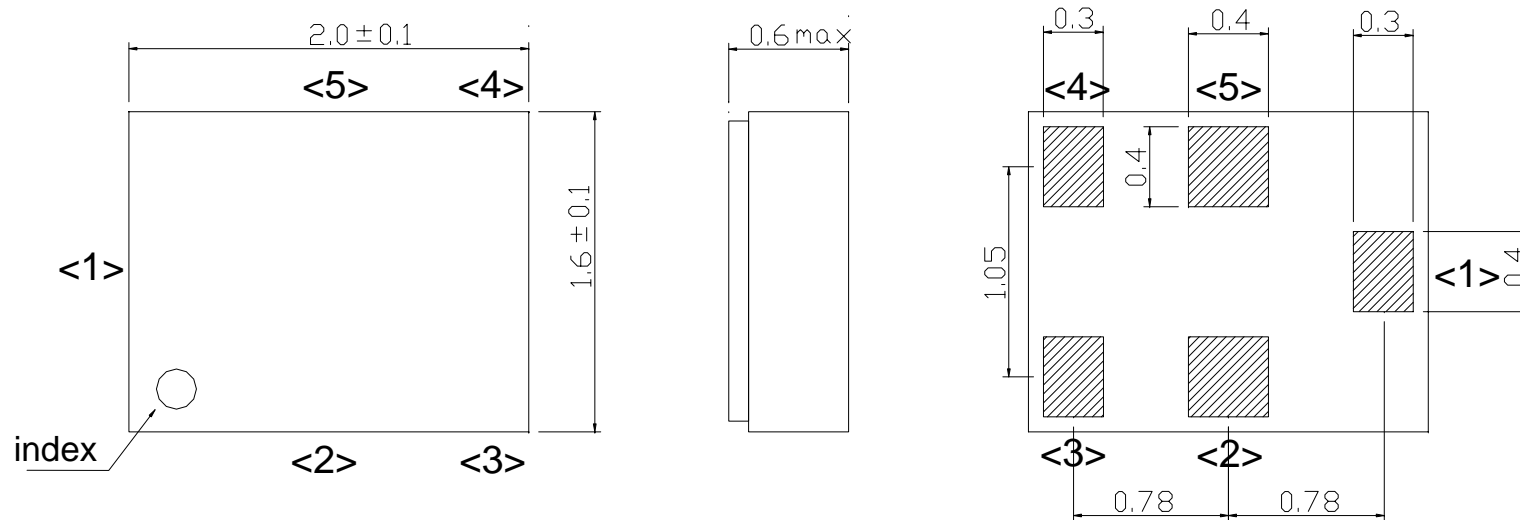


2.0 x 1.6mm package F5EB / F6EB Dimensions & Pin Configuration



Unit : mm

Pin No.	Pin name	Description
1	IN or OUT	Unbalance pin
2	GND	Ground pin
3	OUT or IN	Balance pin
4	OUT or IN	Balance pin
5	GND	Ground pin

2.0 x 1.6mm package F5EB / F6EB Recommended footprint pattern

