

# FAN5069 PWM and LDO Controller Combo

## Features

- General Purpose PWM Regulator and LDO Controller
- Input Voltage Range: 3V to 24V
- Output Voltage Range: 0.8V to 15V
- VCC
  - 5V
  - Shunt Regulator for 12V Operation
- Support for Ceramic Cap on PWM Output
- Programmable Current Limit for PWM Output
- Programmable Switching Frequency (200KHz to 600KHz)
- $R_{DS(ON)}$  Current Sensing
- Internal Synchronous Boot Diode
- Soft-Start for both PWM and LDO
- Multi-Fault Protection with Optional Auto-restart
- 16-pin TSSOP Package

## Applications

- PC/Server Motherboard Peripherals
  - VCC\_MCH (1.5V), VDDQ (1.5V) and VTT\_GTL(1.25V)
- Power Supply for
  - FPGA, DSP, Embedded Controllers, Graphic Card Processor, and Communication Processors
- Industrial Power Supplies
- High Power DC-to-DC Converters

## Description

The FAN5069 combines a high efficiency PWM controller and a LDO (Low DropOut) linear regulator controller. Synchronous rectification provides high efficiency over a wide range of load currents. Efficiency is further enhanced by using the low-side MOSFET's  $R_{DS(ON)}$  to sense current.

Both the linear and PWM regulator soft-start are controlled by a single external capacitor, to limit inrush current from the supply when the regulators are first enabled. Current limit for PWM is also programmable.

The PWM regulator employs a Summing-Current-Mode control with external compensation to achieve fast load transient response and provide system design optimization.

FAN5069 is offered in both industrial temperature grade (-40°C to +85°C) as well as commercial temperature grade (-10°C to +85°C)

## Ordering Information

Part Number	Operating Temp. Range	Pb-Free	Package	Packing Method	Qty/Reel
FAN5069MTCX	-10°C to +85°C	Yes	16-Lead TSSOP	Tape and Reel	2500
FAN5069EMTCX	-40°C to +85°C	Yes	16-Lead TSSOP	Tape and Reel	2500

Note: Contact Fairchild Sales for availability of other package options.

Typical Application

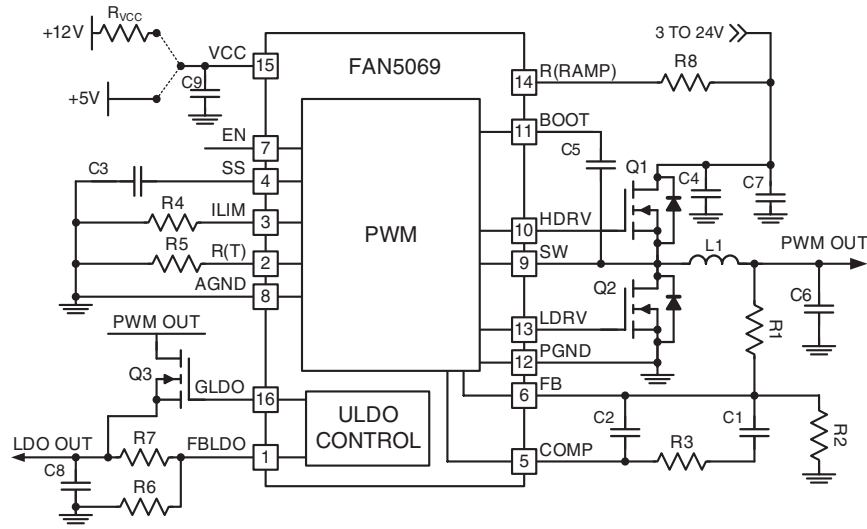


Figure 1. Typical Application Diagram

## Pin Assignment

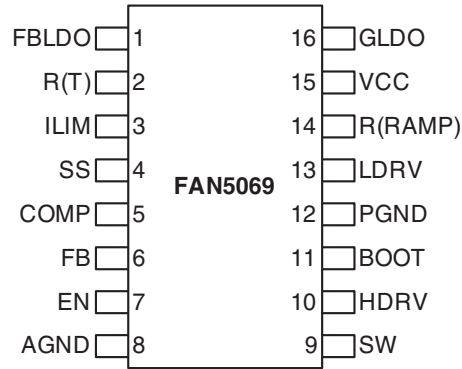


Figure 2. Pin Assignment

## Pin Description

Pin No.	Pin Name	Pin Description
1	FBLDO	<b>LDO Feedback.</b> This node is regulated to $V_{REF}$ .
2	R(T)	<b>Oscillator Set Resistor.</b> This pin provides oscillator switching frequency adjustment. By placing a resistor (RT) from this pin to GND, the nominal 200kHz switching frequency is increased.
3	ILIM	<b>Current Limit.</b> A resistor from this pin to GND sets the current limit.
4	SS	<b>Soft-Start.</b> A capacitor from this pin to GND programs the slew rate of the converter and the LDO during initialization. It also sets the time by which the converter will delay when restarting after a fault occurs. SS has to reach 1.2V before fault shut-down feature is enabled. The LDO is enabled when SS reaches 2.2V.
5	COMP	<b>COMP.</b> The output of the error amplifier drives this pin.
6	FB	<b>Feedback.</b> This pin is the inverting input of the internal error amplifier. Use this pin, in combination with the COMP pin, to compensate the feedback loop of the converter.
7	EN	<b>Enable.</b> Enables operation when pulled to logic high. Toggling EN will also reset the regulator after a latched fault condition. This is a CMOS input whose state is indeterminate if left open and hence needs to be properly biased at all times.
8	AGND	<b>Analog Ground.</b> The signal ground for the IC. All internal control voltages are referred to this pin. Tie this pin to the ground island/plane through the lowest impedance connection available.
9	SW	<b>Switching Node.</b> Return for the high-side MOSFET driver and a current sense input. Connect to source of high-side MOSFET and drain of low-side MOSFET.
10	HDRV	<b>High-Side Gate Drive Output.</b> Connect to the gate of the high-side power MOSFETs. This pin is also monitored by the adaptive shoot-through protection circuitry to determine when the high-side MOSFET is turned off.
11	BOOT	<b>Bootstrap Supply Input.</b> Provides a boosted voltage to the high-side MOSFET driver. Connect to bootstrap capacitor as shown in Figure 1.
12	PGND	<b>Power Ground.</b> The return for the low-side MOSFET driver. Connect to source of low-side MOSFET.
13	LDRV	<b>Low-Side Gate Drive Output.</b> Connect to the gate of the low-side power MOSFETs. This pin is also monitored by the adaptive shoot-through protection circuitry to determine when the lower MOSFET is turned off.
14	R(RAMP)	<b>Ramp Resistor.</b> A resistor from this pin to VIN sets the ramp amplitude and provides voltage feed-forward.
15	VCC	<b>VCC.</b> Provides bias power to the IC and the drive voltage for LDRV. Bypass with a ceramic capacitor as close to this pin as possible. This pin has a shunt regulator which will draw current when the input voltage is above 5.6V.
16	GLDO	<b>Gate Drive for the LDO.</b> Turned off (low) until SS is greater than 2.2V.

### Absolute Maximum Ratings (Note1)

Parameter		Min.	Max.	Unit
V <sub>CC</sub> to PGND			6	V
BOOT to PGND			33	V
SW to PGND	Continuous	-0.5	33	V
	Transient (t < 50nS, F < 500kHz)	-3	33	V
HDRV (V <sub>BOOT</sub> -V <sub>SW</sub> )			6	V
LDRV		-0.5	6	V
All Other Pins		-0.3	V <sub>CC</sub> +0.3	V
Maximum Shunt Current for V <sub>CC</sub>			150	mA
Electrostatic Discharge Protection (ESD) Level (Note 2)	HBM	2		kV
	CDM	0.4		

### Thermal Information

Parameter	Min.	Typ.	Max.	Unit
Storage Temperature	-65		150	°C
Lead Soldering Temperature, 10 Seconds			300	°C
Vapor Phase, 60 Second			215	°C
Infrared, 15 Seconds			220	°C
Power Dissipation (P <sub>D</sub> ), T <sub>A</sub> = 25°C			715	mW
Thermal Resistance- Junction to Case(θ <sub>JC</sub> )		37		°C/W
Thermal Resistance- Junction to Ambient (θ <sub>JA</sub> ) (Note 3)		100		°C/W

### Recommended Operating Conditions

Parameter	Conditions	Min.	Typ.	Max.	Unit
Supply Voltage (V <sub>CC</sub> )	V <sub>CC</sub> to GND	4.5	5	5.5	V
Ambient Temperature (T <sub>A</sub> )	Commercial	-10		85	°C
	Industrial	-40		85	°C
Junction Temperature (T <sub>J</sub> )				125	°C

#### Notes:

- Stresses above those listed under "Absolute Maximum Ratings" may cause permanent damage to the device. This is a stress rating only and functional operation of the device at these or any other conditions above those indicated in the operational section of this specification is not implied. Exposure to absolute maximum rating conditions for extended periods may affect device reliability. Absolute maximum ratings apply individually only, not in combination. Unless otherwise specified all other voltages are referenced to AGND.
- Using Mil Std. 883E, method 3015.7(Human Body Model) and EIA/JESD22C101-A (Charge Device Model).
- Junction to ambient thermal resistance, θ<sub>JA</sub>, is a strong function of PCB material, board thickness, thickness and number of copper planes, number of vias used, diameter of vias used, available copper surface, and attached heat sink characteristics.

## Electrical Characteristics

Unless otherwise noted,  $V_{CC} = 5V$ ,  $T_A = 25^\circ C$ , using circuit in Figure 1.

The '•' denotes that the specifications apply to the full ambient operating temperature range. See Notes 4 and 5.

Symbol	Parameter	Conditions		Min.	Typ.	Max.	Unit
<b>Supply Current</b>							
$I_{VCC}$	$V_{CC}$ Current (Quiescent)	HDRV, LDRV Open	•	2.6	3.2	3.8	mA
$I_{VCC(SD)}$	$V_{CC}$ Current (Shutdown)	EN = 0V, $V_{CC} = 5.5V$	•		200	400	$\mu A$
$I_{VCC(OP)}$	$V_{CC}$ Current (Operating)	EN = 5V, $V_{CC} = 5.0V$			10	15	mA
$V_{SHUNT}$	$V_{CC}$ Voltage (Note 6)	Sinking 20mA to 100mA at $V_{CC}$ Pin		5.5		5.9	V
<b>UVLO</b>							
UVLO(H)	Rising $V_{CC}$ UVLO Threshold		•	4.0	4.25	4.5	V
UVLO(L)	Falling $V_{CC}$ UVLO Threshold		•	3.6	3.75	4.0	V
	$V_{CC}$ UVLO Threshold Hysteresis				0.5		V
<b>Soft-Start</b>							
$I_{SS}$	Current				10		$\mu A$
$V_{LDOSTART}$	LDO Start threshold				2.2		V
$V_{SSOK}$	PWM Protection Enable threshold				1.2		V
<b>Oscillator</b>							
$F_{OSC}$	Frequency	R(T) = 56K $\Omega$ $\pm$ 1%		240	300	360	KHz
		R(T) = Open		160	200	240	KHz
	Frequency Range			160		600	KHz
$\Delta V_{RAMP}$	Ramp Amplitude (Peak-to-Peak)	R(RAMP) = 330K $\Omega$			0.4		V
	Minimum ON Time	F = 200kHz			200		nS.
<b>Reference</b>							
$V_{REF}$	Reference Voltage (Measured at FB Pin)	$T_A = 0^\circ C$ to $70^\circ C$	•	790	800	810	mV
		$T_A = -40^\circ C$ to $85^\circ C$	•	788	800	812	mV
	Current Amplifier Reference (at SW node)				160		mV
<b>Error Amplifier</b>							
	DC Gain				80		dB
GBWP	Gain-BW Product				25		MHz
S/R	Slew Rate	10pF across COMP to GND			8		V/ $\mu S$ .
	Output Voltage Swing	No Load	•	0.5		4.0	V
$I_{FB}$	FB Pin Source Current				1		$\mu A$
<b>Gate Drive</b>							
$R_{HUP}$	HDRV Pull-up Resistor	Sourcing	•		1.8	3	$\Omega$
$R_{HDN}$	HDRV Pull-down Resistor	Sinking	•		1.8	3	$\Omega$
$R_{LUP}$	LDRV Pull-up Resistor	Sourcing	•		1.8	3	$\Omega$
$R_{LDN}$	LDRV Pull-down Resistor	Sinking	•		1.2	2	$\Omega$

## Electrical Characteristics (Contd.)

Unless otherwise noted,  $V_{CC} = 5V$ ,  $T_A = 25^\circ C$ , using circuit in Figure 1.  
 The '●' denotes that the specifications apply to the full ambient operating temperature range. See Notes 4 and 5.

Symbol	Parameter	Conditions		Min.	Typ.	Max.	Unit
<b>Protection/Disable</b>							
$I_{LIM}$	ILIMIT Source Current			9	10	11	$\mu A$
$I_{SWPD}$	SW Pull-down Current	SW = 1V, EN = 0V			10		mA
$V_{UV}$	SW Pull-down Current	As % of set point. 2 $\mu S$ noise filter	●	65	75	80	%
$V_{OV}$	Under-voltage Shutdown	As % of set point. 2 $\mu S$ noise filter	●	110	115	120	%
<b>Supply Current</b>							
	Thermal Shutdown				160		$^\circ C$
	Enable Threshold Voltage	Enable Condition	●	2.0			V
	Enable Threshold Voltage	Disable Condition	●			0.8	V
	Enable Source Current	$V_{CC} = 5V$			50		$\mu A$
<b>LDO (See Note 7)</b>							
$V_{LDOREF}$	Reference Voltage (measured at FBLDO pin)	$T_A = 0^\circ C$ to $70^\circ C$	●	775	800	825	mV
		$T_A = -40^\circ C$ to $85^\circ C$	●	770	800	830	mV
	Regulation	$0A \leq I_{LOAD} \leq 5A$	●	1.17	1.2	1.23	V
$V_{LDO\_DO}$	Drop-out Voltage	$I_{LOAD} \leq 5A$ and $R_{DS-ON} < 50m\Omega$				0.3	V
	External Gate Drive	$V_{CC} = 4.75V$	●			4.5	V
		$V_{CC} = 5.6V$	●			5.3	V
	Gate Drive Source Current				1.2		mA
	Gate Drive Sink Current				400		$\mu A$

### Notes:

- All limits at operating temperature extremes are guaranteed by design, characterization and statistical quality control.
- AC specifications guaranteed by design/characterization (not production tested).
- For a case when  $V_{CC}$  is higher than the typical 5V  $V_{CC}$ . Voltage observed at  $V_{CC}$  pin when the internal shunt regulator is sinking current to keep voltage on  $V_{CC}$  pin constant.
- Test Conditions:  $V_{LDO\_IN} = 1.5V$  and  $V_{LDO\_OUT} = 1.2V$

## Typical Performance Characteristics

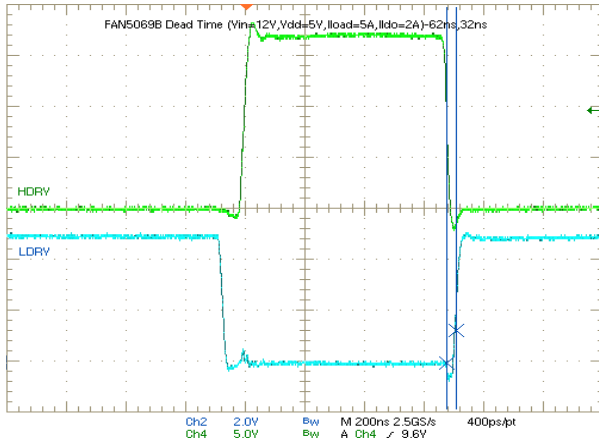


Figure 3. Dead Time Waveform

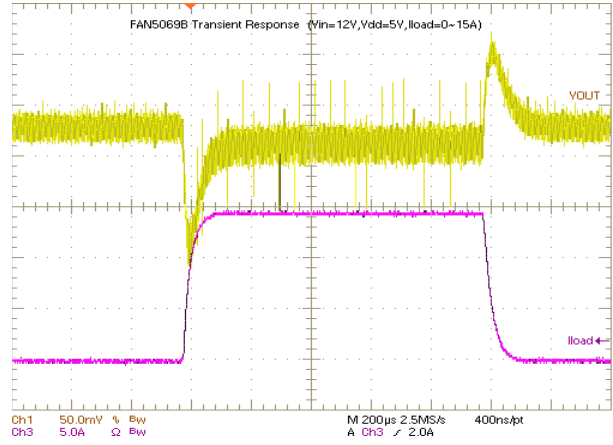


Figure 6. PWM Load Transient (0 to 15A)

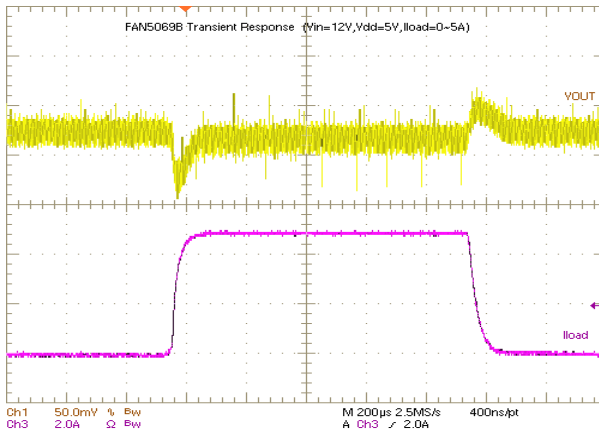


Figure 4. PWM Load Transient (0 to 5A)

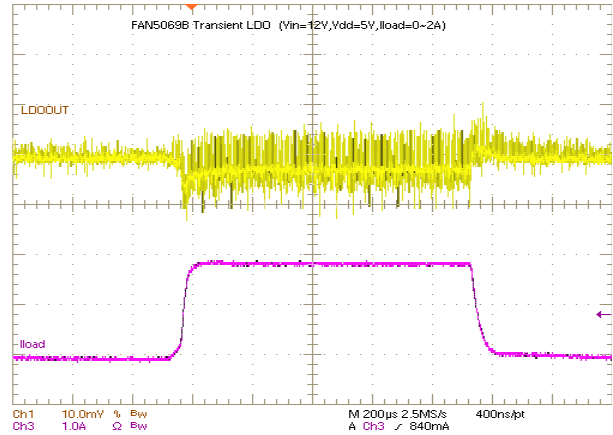


Figure 7. LDO Load Transient (0 to 2A)

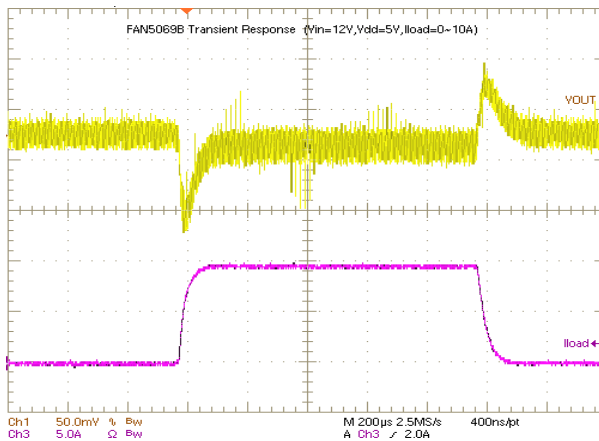


Figure 5. PWM Load Transient (0 to 10A)

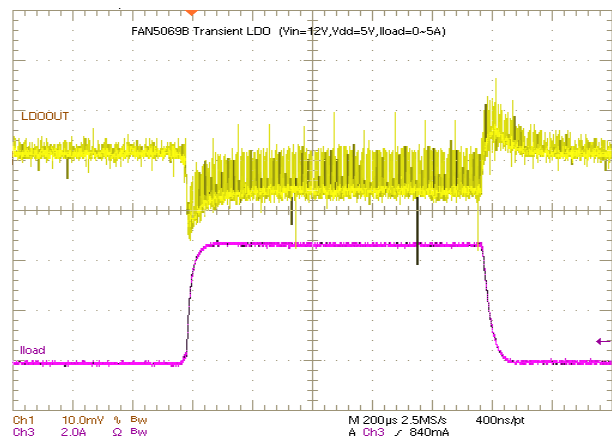
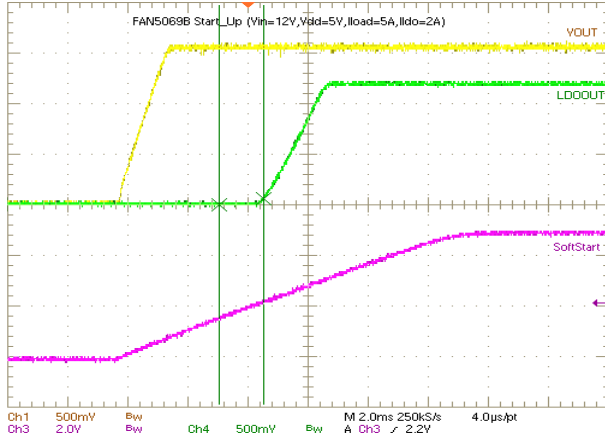
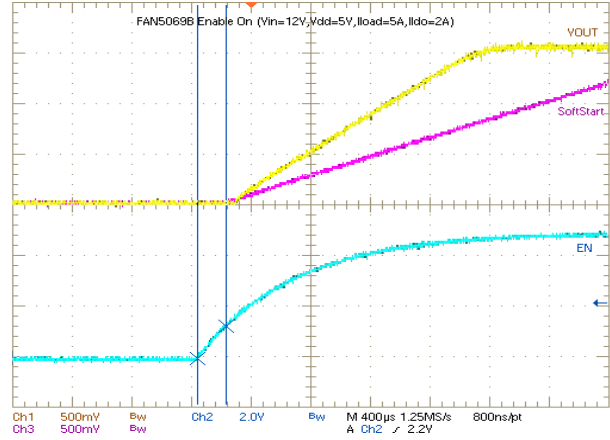


Figure 8. LDO Load Transient (0 to 5A)

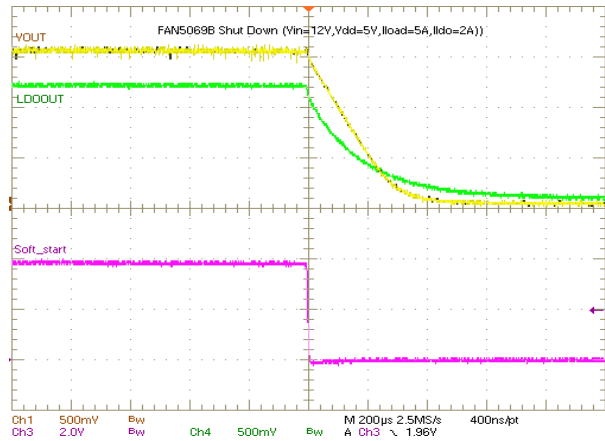
## Typical Performance Characteristics (Contd.)



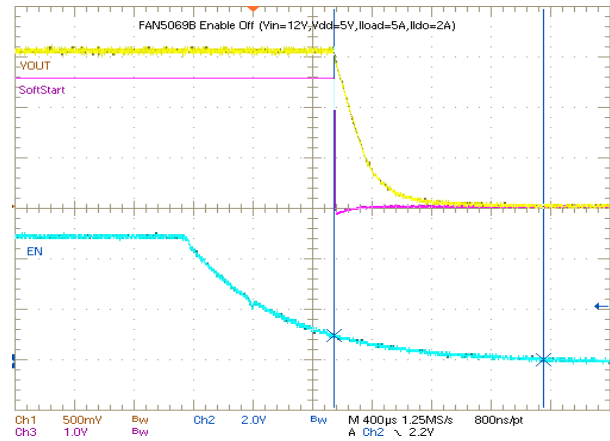
**Figure 9. PWM/LDO Power Up**



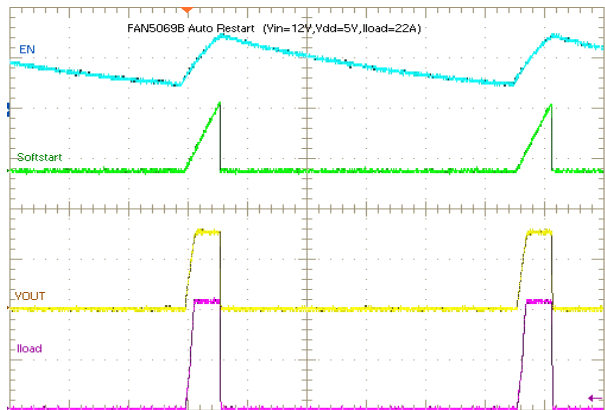
**Figure 12. Enable ON ( $I_{PWM} = 5A$ )**



**Figure 10. PWM/LDO Power Down**



**Figure 13. Enable OFF ( $I_{PWM} = 5A$ )**



**Figure 11. Auto Restart**



Typical Performance Characteristics (Contd.)

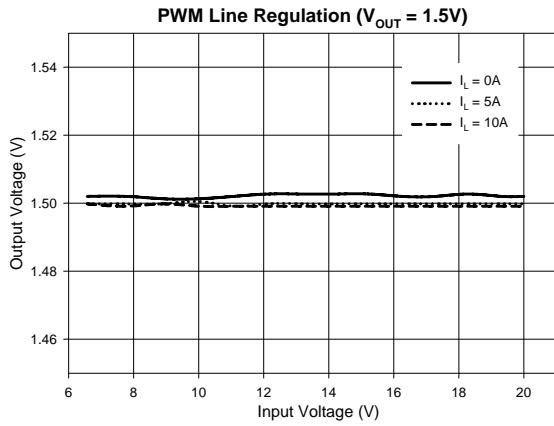


Figure 14. PWM Line Regulation

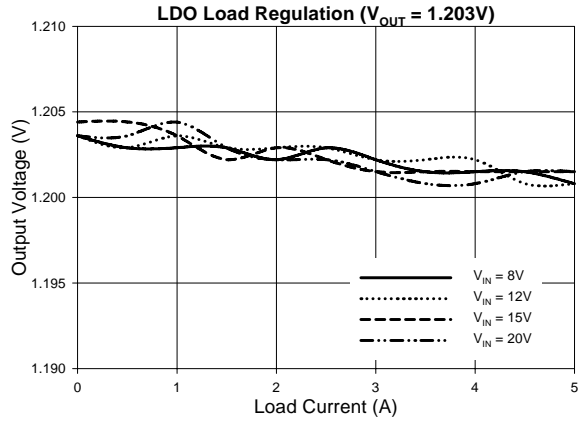


Figure 17. LDO Load Regulation

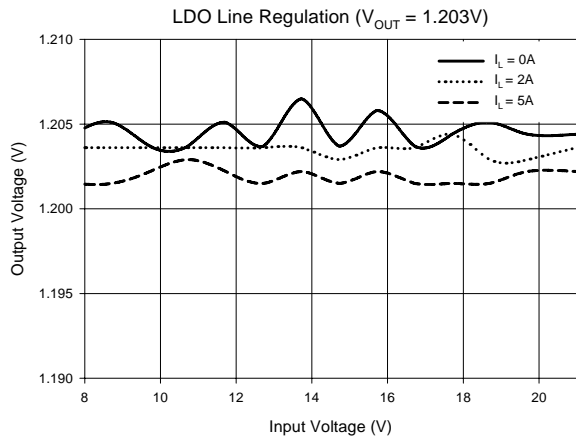


Figure 15. LDO Line Regulation

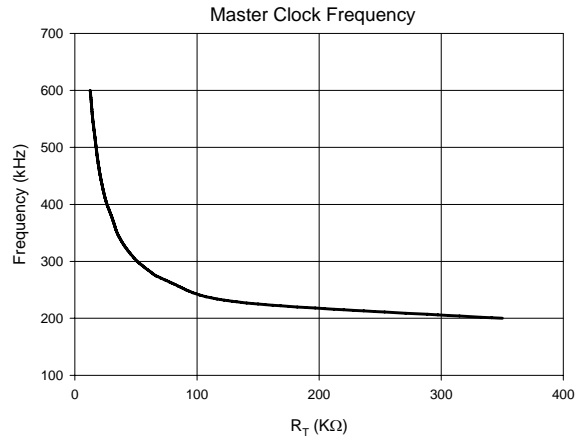


Figure 18.  $R_T$  vs. Frequency

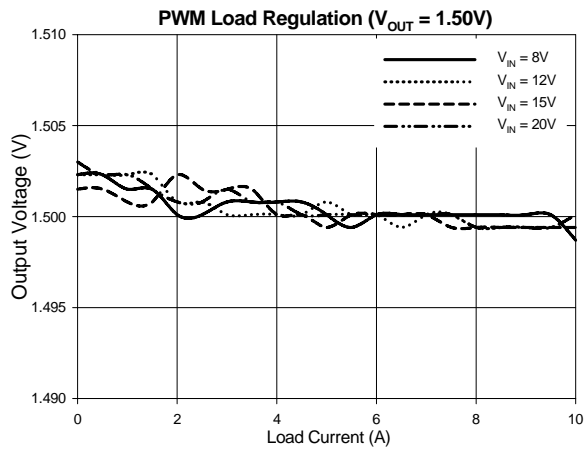


Figure 16. PWM Load Regulation

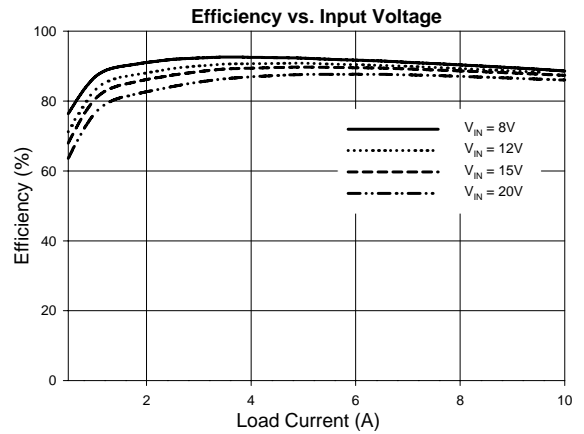


Figure 19. 1.5V PWM Efficiency

## Block Diagram

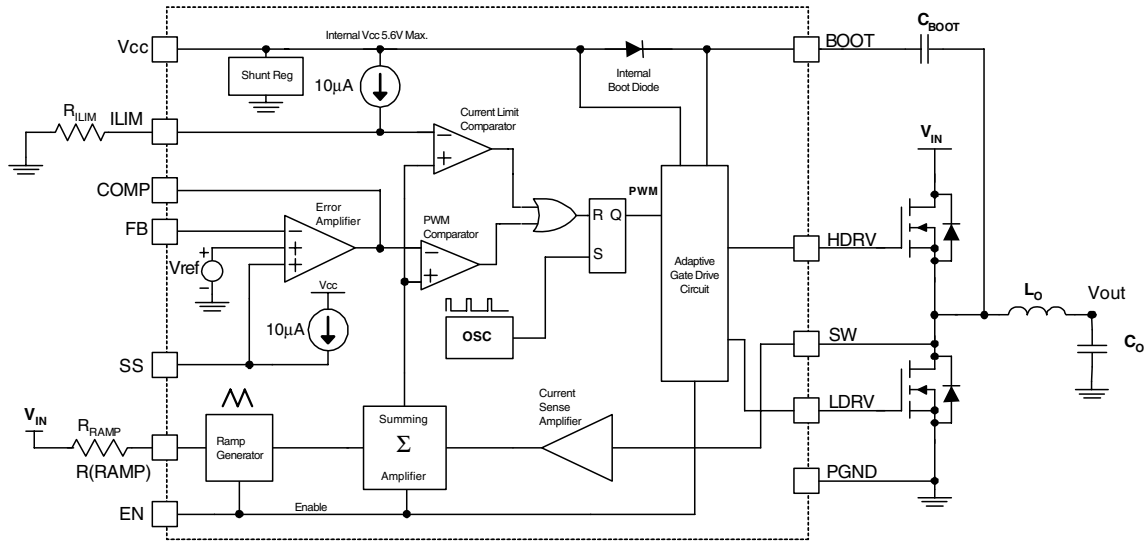


Figure 20. Block Diagram

## Detailed Operation Description

FAN5069 combines a high efficiency fixed-frequency PWM controller designed for single phase synchronous buck Point-Of-Load converters with an integrated LDO controller to support GTL type of loads. This controller is ideally suited to deliver low voltage, high current power supplies needed in desktop computers, notebooks, workstations and servers. The controller comes with an integrated boot diode which helps reduce component cost and increase space savings. With this controller, the input to the power supply can be varied from 3V to 24V and the output voltage can be set to regulate at 0.8V to 15V on the switcher output. The LDO output can be configured to regulate between 0.8V to 3V and the input to the LDO can be from 1.5V to 5V, respectively. An internal shunt regulator at the V<sub>CC</sub> pin facilitates the controller operation from either a 5V or 12V power source.

### V<sub>CC</sub> Bias Supply

The FAN5069 is capable of operating from either a 5V or 12V supply. The internal shunt regulator at the V<sub>CC</sub> pin is capable of sinking 150mA of current to ensure that the controller's internal V<sub>CC</sub> is maintained at 5.6V Max. To operate from a 12V supply, an external resistor must be used between the 12V supply and the V<sub>CC</sub> pin as shown in Figure 1.

Select a resistor such that:

- It is rated to handle the power dissipation
- Current sunk within the controller is minimized to prevent temperature rise.

### PWM Section

The FAN5069's PWM controller combines the conventional voltage mode control and current sensing through lower MOSFET R<sub>DS\_ON</sub> to generate the PWM signals. Although this method of current sensing is loss-less and cost effective, for more accurate current sense requirements an optional external resistor can be connected with the bottom MOSFET in series.

### PWM Operation

Refer to Figure 20 for the PWM control mechanism. The FAN5069 uses the summing mode method of control to generate the PWM pulses. The amplified output of the current sense amplifier is summed with an internally generated ramp and the combined signal is amplified and compared with the output of the error amplifier to get the pulse width to drive the high-side MOSFET. The sensed current from the previous cycle is used to modulate the output of the summing block. The output of the summing block is also compared against the voltage threshold set by the R<sub>LIM</sub> resistor to limit the inductor current on a cycle-by-cycle basis. The controller facilitates external compensation for enhanced flexibility.

### Initialization

When the PWM is disabled, the SW node is connected to GND through an internal 70Ω MOSFET to slowly discharge the output. As long as the PWM controller is enabled, this internal MOSFET remains OFF.

### Soft-Start (PWM and LDO)

When V<sub>CC</sub> exceeds the UVLO threshold and EN is high, the circuit releases SS and enables the PWM regulator. The capacitor connected to the SS pin and GND is now charged by a 10µA internal current source causing the voltage on the capacitor to rise. When this voltage exceeds 1.2V, all protection circuits are enabled. When this voltage exceeds 2.2V, the LDO output is enabled. The input to the error amplifier at the non-inverting pin is clamped by the voltage on the SS pin until it crosses the reference voltage.

The time it takes the PWM output to reach regulation (T<sub>Rise</sub>) is calculated using the following equation:

$$T_{RISE} = 8 \times 10^{-2} \times C_{SS} \quad (C_{SS} \text{ is in } \mu\text{f}) \quad (\text{EQ. 1})$$

### Oscillator Clock Frequency (PWM)

The clock frequency on the oscillator is set using an external resistor, connected between R(T) pin and ground. The frequency follows the graph as shown in Figure 18. The minimum clock frequency is 200KHz which is when R(T) pin is left open. Select the value of R(T) as shown in the equation below. This equation is valid for all  $F_{OSC} > 200\text{kHz}$ .

$$R(T) = \frac{5 \times 10^9}{(F_{OSC} - 200 \times 10^3)} \Omega \quad (\text{EQ. 2})$$

Where  $F_{OSC}$  is in Hz.

For example for  $F_{OSC} = 300\text{kHz}$ ,  $R(T) = 50\text{K}\Omega$ .

### R<sub>RAMP</sub> Selection and Feed Forward Operation

The FAN5069 provides for feed forward function through  $R_{RAMP}$ . The value of  $R_{RAMP}$  effectively changes the slope of the internal ramp keeping the gain of the modulator constant for changes in input voltage.  $R_{RAMP}$  also affects the current limit as explained in the later sections. The minimum value recommended to use for  $R_{RAMP}$  is 400K $\Omega$  at maximum input voltage of 24V. For other input voltages (E.g. 8V), calculate  $R_{RAMP}$  resistor using the following equation:

$$R_{RAMP} = \frac{V_{IN} - 1.8}{55 \times 10^{-6}} \quad (\text{EQ. 3})$$

### Gate Drive Section

The adaptive gate control logic translates the internal PWM control signal into the MOSFET gate drive signals and provides necessary amplification, level shifting, and shoot-through protection. Also, it has functions that help optimize the IC performance over a wide range of operating conditions. Since the MOSFET switching time can vary dramatically from device to device and with the input voltage, the gate control logic provides adaptive dead time by monitoring the gate-to-source voltages of both upper and lower MOSFETs. The lower MOSFET drive is not turned on until the gate-to-source voltage of the upper MOSFET has decreased to less than approximately 1V. Similarly, the upper MOSFET is not turned on until the gate-to-source voltage of the lower MOSFET has decreased to less than approximately 1V. This allows a wide variety of upper and lower MOSFETs to be used without a concern for simultaneous conduction, or shoot-through.

A low impedance path between the driver pin and the MOSFET gate is recommended for the adaptive dead-time circuit to work properly. Any delay along this path reduces the delay generated by the adaptive dead-time circuit thereby increasing the chances for shoot-through.

### Protection

In the FAN5069, the converter is protected against extreme over load, short circuit, over voltage, and under voltage conditions. All of these extreme conditions generate an internal "fault latch" which shuts down the converter. For all fault conditions both the high-side and the low-side drives are off except in the case of OVP where the low-side MOSFET is turned on until the voltage on the FB pin goes below 0.4V. The fault latch can be reset either by toggling the EN pin or recycling VCC to the chip.

### Over Current Limit (PWM)

The PWM converter is protected against overloading through a cycle-by-cycle current limit set by selecting  $R_{ILIM}$  resistor. An internal 10 $\mu\text{A}$  current source sets the threshold voltage for the output of the summing amplifier. When the summing amplifier output exceeds this threshold level, the current limit comparator trips and the PWM starts skipping pulses. If the current limit tripping occurs for 16 continuous clock cycles, a fault latch is set and the controller shuts down the converter. This shut down feature is disabled during the start-up until the voltage on the SS capacitor crosses 1.2V.

To achieve current limit, the FAN5069 monitors the inductor current during the OFF time by monitoring and holding the voltage across the lower MOSFET. The voltage across the lower MOSFET is sensed between the PGND and the SW pins.

The output of the summing amplifier is a function of the inductor current,  $R_{DS\_ON}$  of the bottom FET and the gain of the current sense amplifier. With the  $R_{DS\_ON}$  method of current sensing, the current limit can vary widely from unit to unit.  $R_{DS\_ON}$  not only varies from unit to unit, but also has a typical junction temperature coefficient of about 0.4%/ $^{\circ}\text{C}$  (consult the MOSFET datasheet for actual values). Hence, the set point of the actual current limit decreases in proportion to increase in MOSFET die temperature. A factor of 1.6 in the current limit set point typically compensates for all MOSFET  $R_{DS\_ON}$  variations, assuming the MOSFET's heat sinking will keep its operating die temperature below 125 $^{\circ}\text{C}$ .

For more accurate current limit setting, use resistor sensing. In a resistor sensing scheme, an appropriate current sense resistor is connected between the source terminal of the bottom MOSFET and PGND.

Set the current limit by selecting  $R_{ILIM}$  as follows:

$$R_{ILIM} = \left[ 128 + \frac{K1 \times I_{MAX} \times R_{DS\_ON}}{0.0625} + \left( \left( 1 - \frac{1.8}{V_{IN}} \right) \times \frac{V_{OUT} \times 33.2 \times 10^{11}}{F_{SW} \times R_{RAMP}} \right) \right] \text{K}\Omega \quad (\text{EQ. 4})$$

Where

$R_{ILIM}$  is in K $\Omega$ ,  $I_{MAX}$  is the maximum load current.

K1 is a constant to compensate for the variation of MOSFET  $R_{DS\_ON}$ . Typically, this value is 1.6.

With  $K1=1.6$ ,  $I_{MAX}=10\text{A}$ ,  $R_{DS\_ON}=7\text{m}\Omega$ ,  $V_{IN}=24\text{V}$ ,  $V_{OUT}=1.5\text{V}$ ,  $F_{SW} = 300\text{kHz}$ , and  $R_{RAMP}=400\text{K}\Omega$ ,  $R_{ILIM}$  equals 168.18 K $\Omega$ .

### Auto Restart (PWM)

The FAN5069 supports two modes of response when the internal fault latch is set. The user can configure it to keep the power supply latched in the OFF state OR in the Auto Restart mode. When the EN pin is tied to  $V_{CC}$ , the power supply is latched OFF. When the EN pin is terminated with a 100nF to GND, the power supply is in Auto Restart mode. The table below describes the relationship between PWM restart and setting on EN pin. Do not leave the EN pin open without any capacitor.

EN Pin	PWM/Restart
Pull to GND	OFF
$V_{CC}$	No restart after fault
Cap to GND	Restart after TDELAY (Sec.) = $0.85 \times C$ Where C is in $\mu\text{F}$

The fault latch can also be reset by recycling the VCC to the controller.

### Under Voltage Protection (PWM)

The PWM converter output is monitored constantly for under voltage at the FB pin. If the voltage on the FB pin stays lower than 75% of internal Vref for 16 clock cycles, the fault latch is set and the converter shuts down. This shutdown feature is disabled during startup till the voltage on the SS capacitor reaches 1.2V.

### Over Voltage Protection (PWM)

The PWM converter output voltage is monitored constantly at the FB pin for over voltage. If the voltage on the FB pin stays higher than 115% of internal Vref for 2 clock cycles, the controller turns OFF the upper MOSFET and turns ON the lower MOSFET. This crowbar action stops when the voltage on the FB pin comes down to 0.4V to prevent the output voltage from becoming negative. This OVP protection feature is active as soon as the voltage on the EN pin becomes high.

Turning ON the low-side MOSFETs on an OVP condition pulls down the output resulting in a reverse current which starts to build up in the inductor. If the output over-voltage is due to failure of the high-side MOSFET, this crowbar action pulls down the input supply or blow its fuse, protecting the system which is very critical.

During soft-start, if the output overshoots beyond 115% of Vref, then the output voltage is brought down by the low-side MOSFET till the voltage on the FB pin goes below 0.4V. The fault latch is NOT set until the voltage on the SS pin reaches 1.2V. Once the fault latch is set, the converter shuts down.

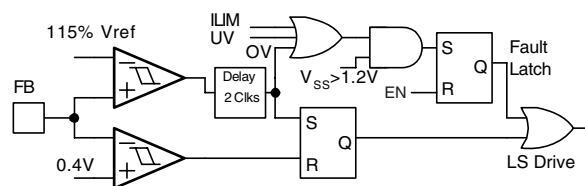


Figure 21. Over Voltage Protection

### Thermal Fault Protection

The FAN5069 features thermal protection where the IC temperature is monitored. When the IC junction temperature exceeds +160°C, the controller shuts down and when the junction temperature gets down to +125°C, the converter restarts.

### LDO Section

The LDO controller is designed to provide ultra low voltages, as low as, 0.8V for GTL type of loads. The regulating loop employs a very fast response feedback loop. Hence, small capacitors can be used to keep track of the changing output voltage during transients. For stable operation, the minimum capacitance on the output needs to be 100µF and the typical ESR needs to be around 100mΩ.

The maximum voltage at the gate drive for the MOSFET can reach close to 0.5V below the VCC of the controller. For example, for a 1.2V output, the minimum enhancement voltage required with 4.75V on VCC is 3.05V (4.75V-0.5V-1.2V = 3.05V). The drop-out voltage for the LDO is dependent on the load cur-

rent and the MOSFET chosen. It is recommended to use low enhancement voltage MOSFETs for the LDO.

The soft-start on the LDO output (ramp) is controlled by the capacitor on the SS pin to GND. The LDO output is enabled only when the voltage on the SS pin reaches 2.2V. Refer to figure 9 for startup waveform.

## Design Section

### General Design Guidelines

Establishing the input voltage range and the maximum current loading on the converter before choosing the switching frequency and the inductor ripple current is highly recommended. There are design tradeoffs in choosing an optimum switching frequency and the ripple current.

The input voltage range should accommodate the worst-case input voltage with which the converter may ever operate. This voltage needs to account for the cable drop encountered from the source to the converter. Typically, the converter efficiency tends to be higher at lower input voltage conditions.

When selecting maximum loading conditions, consider the transient and steady state (continuous) loading separately. The transient loading affects the selection of the inductor and the output capacitors. Steady state loading affects the selection of MOSFETs, input capacitors, and other critical heat generating components.

The selection of switching frequency is tricky. While higher switching frequency results in smaller components, it also results in lower efficiency. Ideal selection of switching frequency takes into account the maximum operating voltage. The MOSFET switching losses are directly proportional to  $F_{SW}$  and the square function of the input voltage.

When selecting the inductor, consider the min. and max. load conditions. Lower inductor values produce better transient response but result in higher ripple & lower efficiency due to high RMS currents. Optimum minimum inductance value enables the converter to operate at the boundary of continuous and discontinuous conduction modes.

### Setting the Output Voltage (PWM)

The internal reference for the PWM controller is at 0.8V. The output voltage of the PWM regulator can be set in the range of 0.8V to 90% of its power input by an external resistor divider. The output is divided down by an external voltage divider to the FB pin (for example, R1 and R<sub>BIAS</sub> as in Figure 24.). Thus the output voltage is given by the following equation:

$$V_{OUT} = 0.8V \times \left(1 + \frac{R1}{R_{BIAS}}\right) \quad (\text{EQ. 5})$$

To minimize noise pickup on this node, keep the resistor to GND (R<sub>BIAS</sub>) below 10KΩ.

### Inductor Selection (PWM)

When the ripple current, switching frequency of the converter, and the input-output voltages are established, select the inductor using the following equation:

$$L_{MIN} = \frac{\left(V_{OUT} - \frac{V_{OUT}^2}{V_{IN}}\right)}{I_{Ripple} \times F_{SW}} \quad (\text{EQ. 6})$$

Where  $I_{Ripple}$  is the ripple current.

Typically this number varies between 20% to 50% of the maximum steady state load on the converter.

When selecting an inductor from the vendors, select the inductance value which is close to the value calculated at the rated current (including half the ripple current).

### Input Capacitor Selection (PWM)

The input capacitors must have an adequate RMS current rating to withstand the temperature rise caused by the internal power dissipation. The combined RMS current rating for the input capacitor should be greater than the value calculated using the following equation:

$$I_{INPUT(RMS)} = I_{LOAD(MAX)} \times \left( \sqrt{\left(\frac{V_{OUT}}{V_{IN}}\right)^2 - \left(\frac{V_{OUT}}{V_{IN}}\right)^2} \right) \quad (EQ. 7)$$

Common capacitor types used for such application include aluminum, ceramic, POS CAP, and OSCON.

### Output Capacitor Selection (PWM)

The output capacitors chosen must have low enough ESR to meet the output ripple and load transient requirements. The ESR of the output capacitor should be lower than both of the values calculated below to satisfy both the transient loading and steady state ripple conditions as given by the following equation:

$$ESR \leq \frac{V_{STEP}}{\Delta I_{LOAD(MAX)}} \quad \text{and} \quad ESR \leq \frac{V_{Ripple}}{I_{Ripple}} \quad (EQ. 8)$$

Typically, in case of aluminum and polymer based capacitors, the output capacitance is higher than normally required to meet these requirements. While selecting the ceramic capacitors for the output, although lower ESR can be achieved easily, higher capacitance values are required to meet the  $V_{OUT(MIN)}$  restrictions during a load transient. From the stability point of view, the zero caused by the ESR of the output capacitor plays an important role in the stability of the converter.

### Output Capacitor Selection (LDO)

For stable operation, the minimum capacitance of 100 $\mu$ F with ESR around 100m $\Omega$  is recommended. For other values, contact the factory.

### Power MOSFET Selection (PWM)

The FAN5069 is capable of driving N-Channel MOSFETs as circuit switch elements. For better performance, the MOSFET selection should address the following key parameters:

- The maximum drain to source voltage should be at least 25% higher than the worst-case input voltage.
- The MOSFETs chosen should have low  $Q_G$ ,  $Q_{GD}$ , and  $Q_{GS}$
- The  $R_{DS\_ON}$  of the MOSFETs be as low as possible.

In typical applications for a buck converter, the duty cycles are lower than 20%. So, to optimize the selection of MOSFETs for both the high-side and low-side, follow different selection criteria. Select the high-side MOSFET to minimize the switching losses and the low-side MOSFET to minimize the conduction losses due to the channel and the body diode losses. Note that the gate drive losses also affect the temperature rise on the controller.

For loss calculation, refer to Fairchild's Application Note AN-6005 and the associated Excel spreadsheet.

### High-Side Losses

Losses in the MOSFET can be understood by following switching interval of the MOSFET as shown in Figure 22. MOSFET Gate drive equivalent circuit is shown in Figure 23.

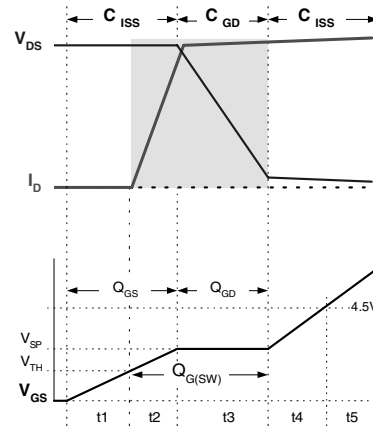


Figure 22. Switching Losses and  $Q_G$

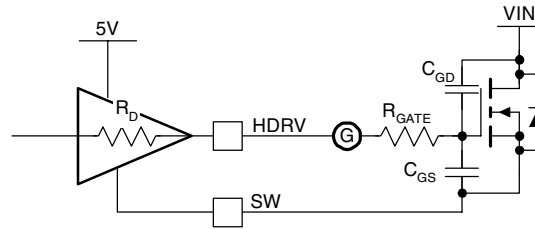


Figure 23. Drive Equivalent Circuit

The upper graph in Figure 22 represents Drain-to-Source Voltage ( $V_{DS}$ ) and Drain Current ( $I_D$ ) waveforms. The lower graph details Gate-to-Source Voltage ( $V_{GS}$ ) vs. time with a constant current charging the gate. The x-axis therefore is also representative of Gate Charge ( $Q_G$ ).  $C_{ISS} = C_{GD} + C_{GS}$ , and it controls t1, t2, and t4 timing.  $C_{GD}$  receives the current from the gate driver during t3 (as  $V_{DS}$  is falling). Obtain the gate charge ( $Q_G$ ) parameters shown on the lower graph from the MOSFET data sheets.

Assuming switching losses are about the same for both the rising edge and falling edge, Q1's switching losses occur during the shaded time when the MOSFET has voltage across it and current through it.

These losses are given by (EQ. 9), (EQ. 11), and (EQ. 11):

$$P_{UPPER} = P_{SW} + P_{COND} \quad (EQ. 9)$$

$$P_{SW} = \left( \frac{V_{DS} \times I_L}{2} \times 2 \times t_s \right) F_{SW} \quad (EQ. 10)$$

$$P_{COND} = \left( \frac{V_{OUT}}{V_{IN}} \right) \times I_{OUT}^2 \times R_{DS(ON)} \quad (EQ. 11)$$

Where:

$P_{UPPER}$  is the upper MOSFET's total losses, and  $P_{SW}$  and  $P_{COND}$  are the switching and conduction losses for a given

MOSFET.  $R_{DS(ON)}$  is at the maximum junction temperature ( $T_J$ ).  $t_S$  is the switching period (rise or fall time) and equals  $t_2+t_3$  (Figure 22.).

The driver's impedance and  $C_{ISS}$  determine  $t_2$  while  $t_3$ 's period is controlled by the driver's impedance and  $Q_{GD}$ . Since most of  $t_S$  occurs when  $V_{GS} = V_{SP}$  we can assume a constant current for the driver to simplify the calculation of  $t_S$  using the following equation:

$$t_s = \frac{Q_{G(SW)}}{I_{Driver}} \approx \frac{Q_{G(SW)}}{\left( \frac{V_{CC} - V_{SP}}{R_{Driver} + R_{Gate}} \right)} \quad (EQ. 12)$$

Most MOSFET vendors specify  $Q_{GD}$  and  $Q_{GS}$ .  $Q_{G(SW)}$  can be determined as:

$Q_{G(SW)} = Q_{GD} + Q_{GS} - Q_{TH}$  where  $Q_{TH}$  is the gate charge required to get the MOSFET to its threshold ( $V_{TH}$ ).

Note that for the high-side MOSFET,  $V_{DS}$  equals  $V_{IN}$ , which can be as high as 20V in a typical portable application. Also include the power delivered to the MOSFET's ( $P_{GATE}$ ) in calculating the power dissipation required for the FAN5069.

$P_{GATE}$  is determined by the following equation:

$$P_{Gate} = Q_G \times V_{CC} \times F_{SW} \quad (EQ. 13)$$

where  $Q_G$  is the total gate charge to reach  $V_{CC}$ .

### Low-Side Losses

Q2, however, switches on or off with its parallel schottky diode simultaneously conducting. Hence, the  $V_{DS} \approx 0.5V$ . Since  $P_{SW}$  is proportional to  $V_{DS}$ , Q2's switching losses are negligible and we can select Q2 based on  $R_{DS(ON)}$  alone.

Conduction losses for Q2 are given by the following equation:

$$P_{COND} = (1 - D) \times I_{OUT}^2 \times R_{DS(ON)} \quad (EQ. 14)$$

where  $R_{DS(ON)}$  is the  $R_{DS(ON)}$  of the MOSFET at the highest operating junction temperature and  $D=V_{OUT}/V_{IN}$  is the minimum duty cycle for the converter.

Since  $D_{MIN} < 20\%$  for portable computers,  $(1-D) \approx 1$  produces a conservative result, further simplifying the calculation.

The maximum power dissipation ( $P_{D(MAX)}$ ) is a function of the maximum allowable die temperature of the low-side MOSFET, the  $\theta_{JA}$ , and the maximum allowable ambient temperature rise.  $P_{D(MAX)}$  is calculated using the following equation:

$$P_{D(MAX)} = \frac{T_{J(MAX)} - T_{A(MAX)}}{\theta_{JA}} \quad (EQ. 15)$$

$\theta_{JA}$  depends primarily on the amount of PCB area that is devoted to heat sinking.

### Selection of MOSFET Snubber Circuit

The Switch node (SW) ringing is caused by fast switching transitions due to the energy stored in the parasitic elements. This ringing on the SW node couples to other circuits around the converter if they are not handled properly. To dampen this ringing, an R-C snubber is connected across the SW node and the source of the low-side MOSFET.

R-C components for the snubber are selected as follows:

- a) Measure the SW node ringing frequency ( $F_{ring}$ ) with a low capacitance scope probe.
- b) Connect a capacitor ( $C_{SNUB}$ ) from SW node to GND so that it reduces this ringing by half.
- c) Place a resistor ( $R_{SNUB}$ ) in series with this capacitor.  $R_{SNUB}$  is calculated using the following equation:

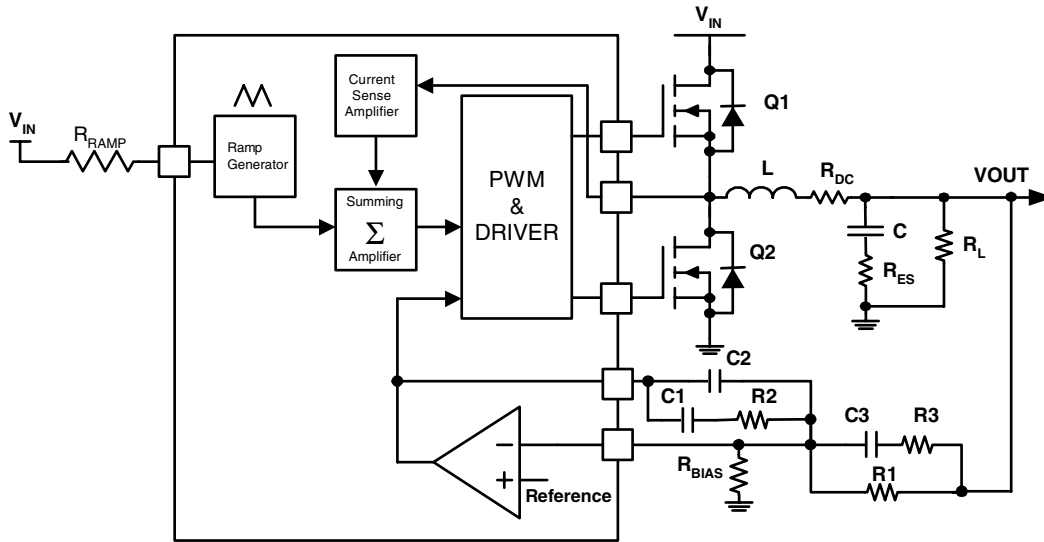
$$R_{SNUB} = \frac{2}{\pi \times F_{ring} \times C_{SNUB}} \quad (EQ. 16)$$

- d) Calculate the power dissipated in the snubber resistor as shown in the following equation:

$$P_{R(SNUB)} = C_{SNUB} \times V_{IN(MAX)}^2 \times F_{SW} \quad (EQ. 17)$$

Where,  $V_{IN(MAX)}$  is the maximum input voltage and  $F_{SW}$  is the converter switching frequency.

The snubber resistor chosen should be adequately de-rated to handle the worst-case power dissipation. **Do not use wire wound resistors for  $R_{SNUB}$ .**



**Figure 24. Closed Loop System with Type 3 Network**

### Loop Compensation

Typically, the closed loop crossover frequency ( $F_{cross}$ ) where the overall gain is unity, should be selected to achieve optimal transient and steady state response to disturbances in line and load conditions. It is recommended to keep  $F_{cross}$  below 1/5th of the switching frequency of the converter. Higher phase margin tends to have a more stable system with more sluggish response to load transients. Optimum phase margin is about  $60^\circ$ , a good compromise between steady state and transient responses. A typical design should address variations over a wide range of load conditions and over a large sample of devices.

FAN5069 has a high gain error amplifier around which the loop is closed. Figure 24 shows a type 3 compensation network. For type 2 compensation, R3 and C3 are not used. Since the FAN5069 architecture employs summing current mode, type 2 compensation can be used for most applications. For type 2 compensation networks, refer to the following reference for further information:

- Venable, H. Dean, "The K factor: A new mathematical tool for stability analysis and synthesis", *Proceedings of Powercon*, March 1983.

For critical applications requiring wide loop bandwidth using very low ESR output capacitors, use type 3 compensation.

### Type 3 Feedback Component Calculations

Use the following steps to calculate feedback components:

#### Notation:

- $C_0$  = net output filter capacitance
- $G_p(s)$  = net gain of plant = control-to-output transfer function
- L = inductor value
- $R_{DS(on)}$  = on-state Drain-to Source resistance of Low-side MOSFET
- $R_{es}$  = net ESR of the output filter capacitors

- $R_L$  = load resistance
- $T_s$  = Switching Period
- $V_i$  = input voltage
- $F_{SW}$  = switching frequency

#### Equations:

$$\text{Effective current sense resistance} = R_i = 7 \times R_{DS(on)} \quad (\text{EQ. 18})$$

$$\text{Current modulator DC gain} = M_i = \frac{R_L}{R_i} \quad (\text{EQ. 19})$$

$$\begin{aligned} \text{Effective ramp amplitude} = \\ V_m = 2.34 \times 10^{-10} \times \frac{(V_i - 0.8) \times T_s}{R_{ramp}} \end{aligned} \quad (\text{EQ. 20})$$

$$\text{Voltage modulator DC gain} = M_v = \frac{V_i}{V_m} \quad (\text{EQ. 21})$$

$$\text{Plant DC gain} = M_o = M_v \parallel M_i = \frac{M_v \times M_i}{M_v + M_i} \quad (\text{EQ. 22})$$

$$\text{Sampling gain natural frequency} = \omega_n = \frac{\pi}{T_s} \quad (\text{EQ. 23})$$

$$\text{Effective inductance} = L_e = \frac{M_o}{M_v} \times \left( L + \frac{M_v \times R_i}{\omega_n \times Q_2} \right) \quad (\text{EQ. 24})$$

$$R_p = \frac{M_v \times R_i \times R_L}{M_v \times R_i + R_L} = (M_v \times R_i) \parallel R_L \quad (\text{EQ. 25})$$

**Poles and Zeros of Plant Transfer Function:**

$$\text{Plant zero frequency} = f_z = \frac{1}{2 \times \pi \times C_o \times R_{es}} \quad (\text{EQ. 26})$$

$$\text{Plant 1}^{\text{st}} \text{ pole frequency} = f_{p1} = \frac{1}{2 \times \pi \times (C_o \times R_p + \frac{L_e}{R_L})} \quad (\text{EQ. 27})$$

$$\text{Plant 2}^{\text{nd}} \text{ pole frequency} = f_{p2} = \frac{1}{2 \times \pi} \times \left( \frac{1}{C_o \times R_L} + \frac{R_p}{L_e} \right) \quad (\text{EQ. 28})$$

$$\text{Plant 3}^{\text{rd}} \text{ pole frequency} = f_{p3} = \frac{\omega_n^2 \times L_e}{2 \times \pi \times R_p} \quad (\text{EQ. 29})$$

**Plant gain (magnitude) response:**

$$|G_p(f)| = 20 \times \log M_0 + 10 \times \log \left[ \frac{1 + \left(\frac{f}{f_z}\right)^2}{\left[1 + \left(\frac{f}{f_{p1}}\right)^2\right] \times \left[1 + \left(\frac{f}{f_{p2}}\right)^2\right] \times \left[1 + \left(\frac{f}{f_{p3}}\right)^2\right]} \right] \quad (\text{EQ. 30})$$

**Plant phase response:**

$$\angle G_p(f) = \tan^{-1}\left(\frac{f}{f_z}\right) - \tan^{-1}\left(\frac{f}{f_{p1}}\right) - \tan^{-1}\left(\frac{f}{f_{p2}}\right) - \tan^{-1}\left(\frac{f}{f_{p3}}\right) \quad (\text{EQ. 31})$$

Choose R1, R<sub>BIAS</sub> to set the output voltage using EQ.5. Choose the zero cross over frequency F<sub>CROSS</sub> of the overall loop. Typically F<sub>CROSS</sub> should be less than 1/5th of F<sub>sw</sub>. Choose the desired phase margin. Typically this number should be between 60° to 90°.

Calculate plant gain at F<sub>CROSS</sub> using EQ.28 by substituting F<sub>CROSS</sub> in place of f. The gain that the amplifier needs to provide to get the required cross over is given by

$$G_{AMP} = \frac{1}{|G_p(F_{cross})|} \quad (\text{EQ. 32})$$

The phase boost required is calculated as given in (EQ. 33).

$$\text{Phase Boost} = M - P - 90^\circ \quad (\text{EQ. 33})$$

Where, M is the desired phase margin in degrees and P is the modulator phase shift in degrees at the time of crossover.

The feedback component values are now calculated as given in equations below:

$$K = \left\{ \tan \left[ \left( \frac{\text{Boost}}{4} \right) + 45 \right] \right\}^2 \quad (\text{EQ. 34})$$

$$C1 = \frac{1}{2 \times \pi \times F_{cross} \times G_{AMP} \times R1} \quad (\text{EQ. 35})$$

$$C2 = C1 \times (K - 1) \quad (\text{EQ. 36})$$

$$C3 = \frac{1}{2 \times \pi \times F_{cross} \times \sqrt{K} \times R3} \quad (\text{EQ. 37})$$

$$R2 = \frac{\sqrt{K}}{2 \times \pi \times F_{cross} \times C2} \quad (\text{EQ. 38})$$

$$R3 = \frac{R1}{(K - 1)} \quad (\text{EQ. 39})$$

**Layout Considerations**

The switching power converter layout needs careful attention and is critical to achieving low losses and clean and stable operation. Below are specific recommendations for a good board layout:

- Keep the high current traces and load connections as short as possible.
- Use thick copper boards whenever possible to achieve higher efficiency.
- Keep the loop area between the SW node, low-side MOSFET, inductor and the output capacitor as small as possible.
- Route high dV/dt signals such as SW node away from the error amplifier input/output pins. Keep components connected to these pins close to the pins.
- Place ceramic de-coupling capacitors very close to VCC pin.
- All input signals are referenced with respect to AGND pin. Dedicate one layer of the PCB for a GND plane. Use at least 4 layers for the PCB.
- Minimize GND loops in the layout to avoid EMI related issues.
- Use wide traces for the lower gate drive to keep the drive impedances low.
- Connect PGND directly to the lower MOSFET source pin.
- Use wide land areas with appropriate thermal vias to effectively remove heat from the MOSFET's.
- Use snubber circuits to minimize high frequency ringing at the SW nodes.
- Place the output capacitor for the LDO close to the source of the LDO MOSFET.



## Application Board Schematic ( $V_{IN} = 3 \text{ to } 24\text{V}$ ; $V_{OUT} = 1.5\text{V} @ 20\text{A}$ )

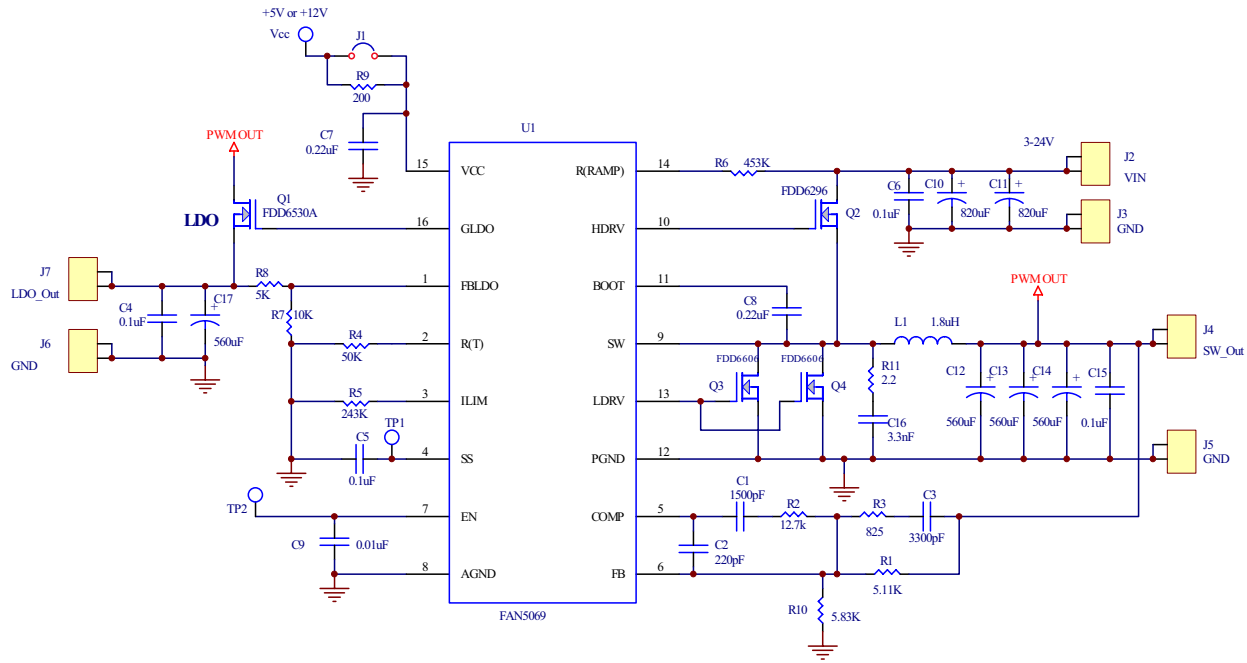


Figure 25. Application Board Schematic

### Bill of Materials

Part Description	Quantity	Designator	Vendor	Vendor Part Number
Capacitor, 1500pF, 20%, 25V, 0603,X7R	1	C1	Panasonic	PCC1774CT-ND
Capacitor, 220pF, 5%, 50V, 0603,NPO	1	C2	Panasonic	PCC221ACVCT-ND
Capacitor, 3300pF, 10%, 50V, 0603,X7R	1	C3	Panasonic	PCC1778CT-ND
Capacitor, 0.1uF, 10%, 25V, 0603,X7R	4	C4, C5, C6, C15	Panasonic	PCC2277CT-ND
Capacitor, 0.22uF, 20%, 25V, 0603,X7R	2	C7, C8	Panasonic	PCC1767CT-ND
Capacitor, 0.01uF, 10%, 50V, 0603,X7R	1	C9	Panasonic	PCC1784CT-ND
Capacitor, 820uF, 20%, 10X20, 25V,20mOhm,1.96A	2	C10, C11	Nippon-Chemicon	KZH25VB820MHJ20
Capacitor, 820uF, 20%, 8X8, 2.5V,7mOhm,6.1A	1	C17	Nippon-Chemicon	PSC2.5VB820MH08
Capacitor, 560uF, 20%, 8X11.5, 4V,7mOhm,5.58A	3	C12, C13, C14,	Nippon-Chemicon	PSA4VB560MH11
Capacitor, 3300pF, 10%, 50V, 0603,X7R	1	C16	Panasonic	PCC332BNCT-ND
Connector Header 0.100 Vertical, Tin - 2 Pin	1	J1	Molex	WM6436-ND
Terminal Quickfit Male .052"Dia.187" Tab	6	J2 - J7	Keystone	1212K-ND
Inductor, 1.8uH, 20%, 26Amps Max, 3.24mOhm	1	L1	Inter-Technical	SC5018-1R8M
MOSFET N-CH, 32 mOhm, 20V, 21A, D-PAK, FSID: FDD6530A	1	Q1	Fairchild Semiconductor	FDD6530A
MOSFET N-CH, 8.8 mOhm, 30V, 50A, D-PAK, FSID: FDD6296	1	Q2	Fairchild Semiconductor	FDD6296
MOSFET N-CH, 6 mOhm, 30V, 75A, D-PAK, FSID: FDD6606	2	Q3, Q4	Fairchild Semiconductor	FDD6606
Resistor , 5.11K , 1% , 1/16W	1	R1	Panasonic	P5.11KHCT-ND
Resistor , 12.7K , 1% , 1/16W	1	R2	Panasonic	P12.7KHCT-ND
Resistor , 825 , 1% , 1/16W	1	R3	Panasonic	P825HCT-ND
Resistor , 49.9KK , 1% , 1/16W	1	R4	Panasonic	P49.9KHCT-ND
Resistor , 243K , 1% , 1/16W	1	R5	Panasonic	P243KHCT-ND
Resistor ,453K , 1% , 1/16W	1	R6	Panasonic	P453KHCT-ND
Resistor ,10K , 1% , 1/16W	1	R7	Panasonic	P10.0KHCT-ND
Resistor , 4.99K , 1% , 1/16W	1	R8	Panasonic	P4.99KHCT-ND
Resistor , 200 , 1% , 1/8W	1	R9	Panasonic	P200FCT-ND
Resistor , 5.90K , 1% , 1/16W	1	R10	Panasonic	P5.90KHCT-ND
Resistor , 2.2 , 1% , 1/8W	1	R11	Panasonic	P2.2ECT-ND
Connector Header 0.100 Vertical, Tin - 1 Pin	3	TP1,TP2, Vcc	Molex	WM6436-ND
IC, System Regulator, TSSOP16, FSID: FAN5069	1	U1	Fairchild Semiconductor	FAIRCHILD

Typical Application Board Layout

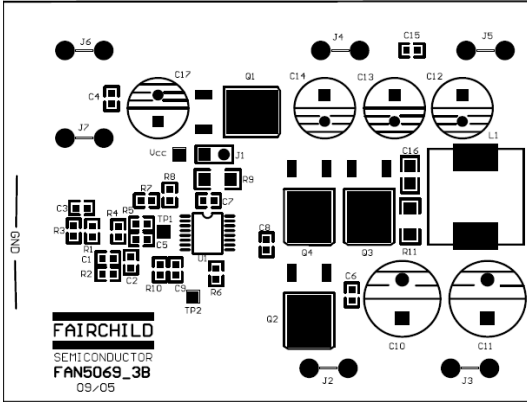


Figure 26. Assembly Diagram

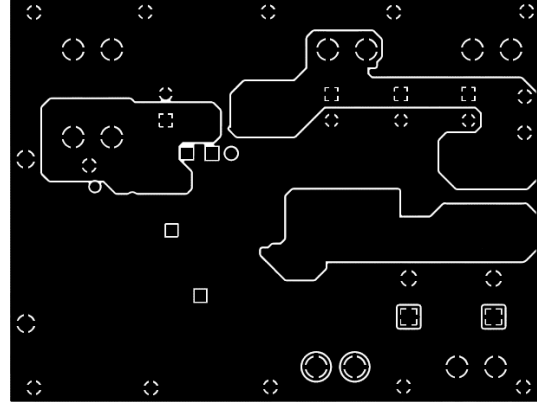


Figure 29. Mid Layer 2

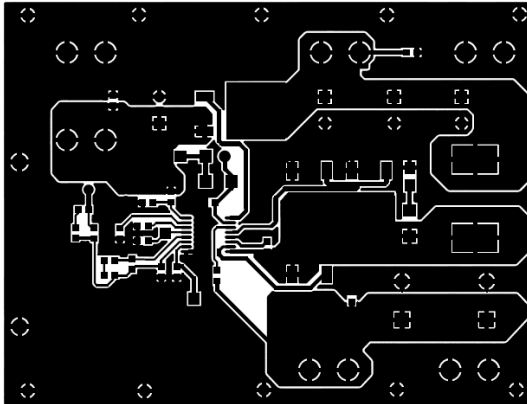


Figure 27. Top Layer

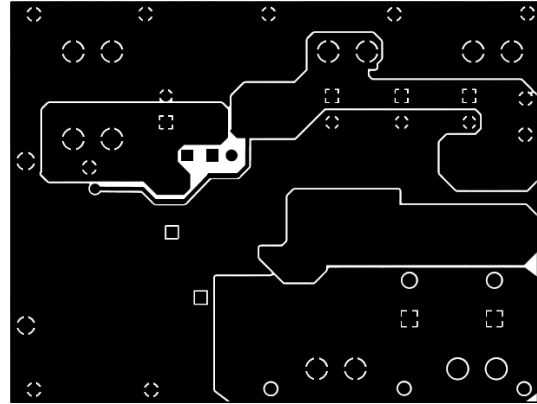


Figure 30. Bottom Layer

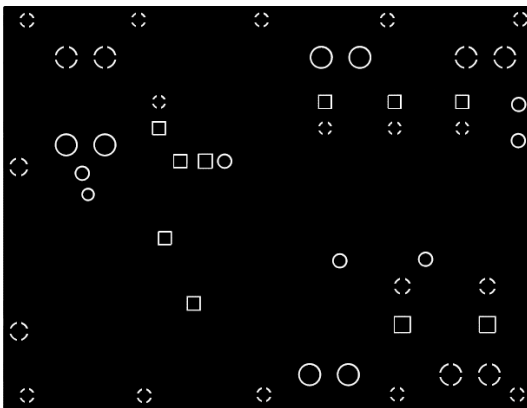
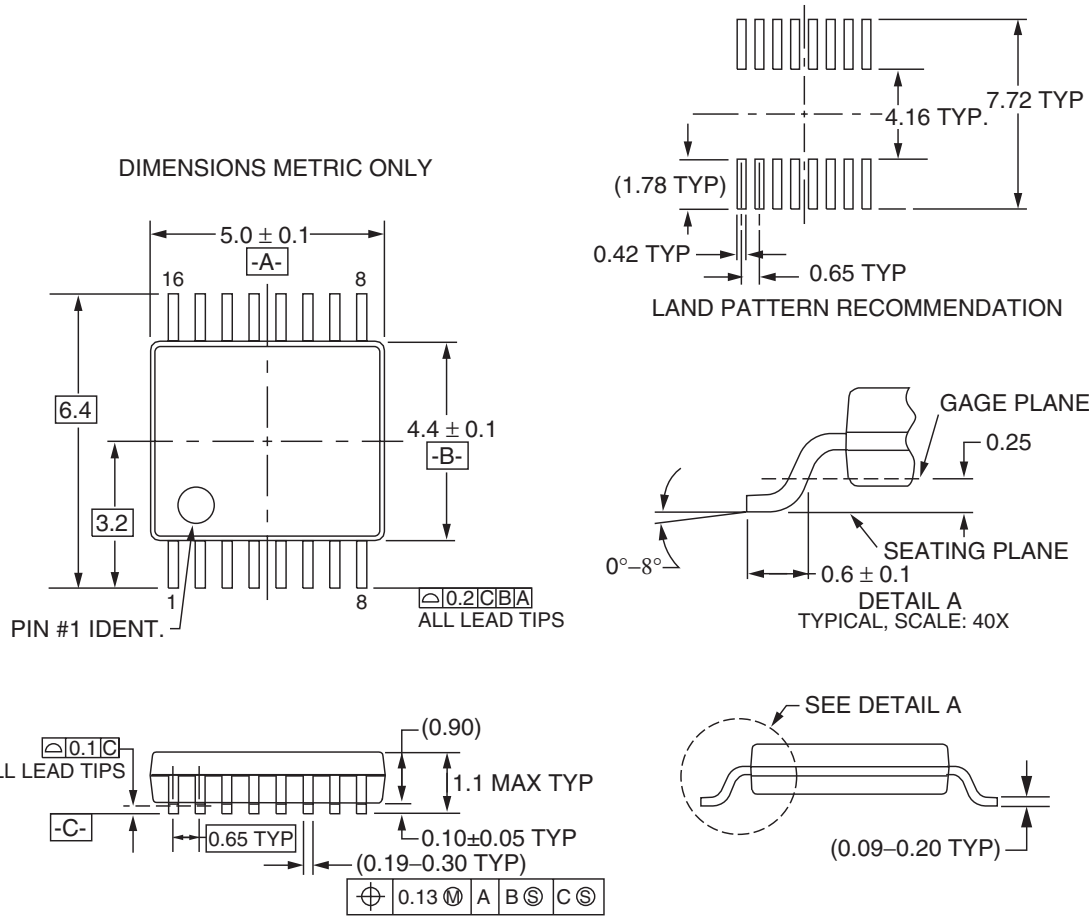


Figure 28. Mid Layer 1

# Mechanical Dimensions

## 16-Lead TSSOP



## TRADEMARKS

The following are registered and unregistered trademarks Fairchild Semiconductor owns or is authorized to use and is not intended to be an exhaustive list of all such trademarks.

ACEx™	FACT Quiet Series™	ISOPLANAR™	POP™	SuperFET™
ActiveArray™	FAST®	LittleFET™	Power247™	SuperSOT™-3
Bottomless™	FASTr™	MICROCOUPLER™	PowerTrench®	SuperSOT™-6
CoolFET™	FPS™	MicroFET™	QFET®	SuperSOT™-8
CROSSVOLT™	FRFET™	MicroPak™	QS™	SyncFET™
DOMET™	GlobalOptoisolator™	MICROWIRE™	QT Optoelectronics™	TinyLogic®
EcoSPARK™	GTO™	MSX™	Quiet Series™	TINYOPTO™
E <sup>2</sup> CMOS™	HiSeC™	MSXPro™	RapidConfigure™	TruTranslation™
EnSigna™	I <sup>2</sup> C™	OCX™	RapidConnect™	UHC™
FACT™	ImpliedDisconnect™	OCXPro™	SILENT SWITCHER®	UltraFET®
Across the board. Around the world.™		OPTOLOGIC®	SMART START™	VCX™
The Power Franchise™		OPTOPLANAR™	SPM™	
Programmable Active Droop™		PACMAN™	Stealth™	

## DISCLAIMER

FAIRCHILD SEMICONDUCTOR RESERVES THE RIGHT TO MAKE CHANGES WITHOUT FURTHER NOTICE TO ANY PRODUCTS HEREIN TO IMPROVE RELIABILITY, FUNCTION OR DESIGN. FAIRCHILD DOES NOT ASSUME ANY LIABILITY ARISING OUT OF THE APPLICATION OR USE OF ANY PRODUCT OR CIRCUIT DESCRIBED HEREIN; NEITHER DOES IT CONVEY ANY LICENSE UNDER ITS PATENT RIGHTS, NOR THE RIGHTS OF OTHERS.

## LIFE SUPPORT POLICY

FAIRCHILD'S PRODUCTS ARE NOT AUTHORIZED FOR USE AS CRITICAL COMPONENTS IN LIFE SUPPORT DEVICES OR SYSTEMS WITHOUT THE EXPRESS WRITTEN APPROVAL OF FAIRCHILD SEMICONDUCTOR CORPORATION. As used herein:

1. Life support devices or systems are devices or systems which, (a) are intended for surgical implant into the body, or (b) support or sustain life, or (c) whose failure to perform when properly used in accordance with instructions for use provided in the labeling, can be reasonably expected to result in significant injury to the user.

2. A critical component is any component of a life support device or system whose failure to perform can be reasonably expected to cause the failure of the life support device or system, or to affect its safety or effectiveness.

## PRODUCT STATUS DEFINITIONS

### Definition of Terms

Datasheet Identification	Product Status	Definition
Advance Information	Formative or In Design	This datasheet contains the design specifications for product development. Specifications may change in any manner without notice.
Preliminary	First Production	This datasheet contains preliminary data, and supplementary data will be published at a later date. Fairchild Semiconductor reserves the right to make changes at any time without notice in order to improve design.
No Identification Needed	Full Production	This datasheet contains final specifications. Fairchild Semiconductor reserves the right to make changes at any time without notice in order to improve design.
Obsolete	Not In Production	This datasheet contains specifications on a product that has been discontinued by Fairchild semiconductor. The datasheet is printed for reference information only.

Rev. 17