

# 2.54mm (0.100") PITCH CONNECTOR

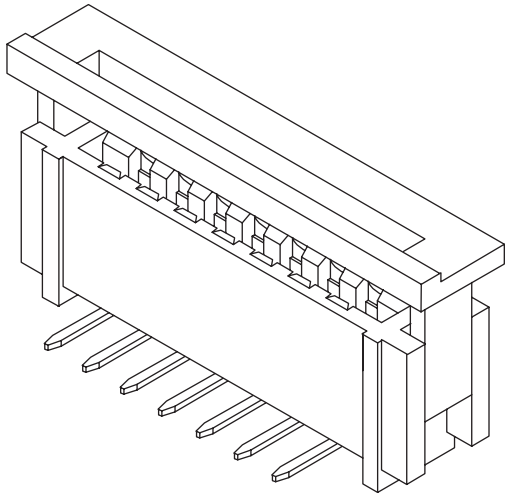


**FFC/FPC Connector Housing**

**FCZ254-NNR Series**

**DIP, ZIF**

**Right Angle**



## Material

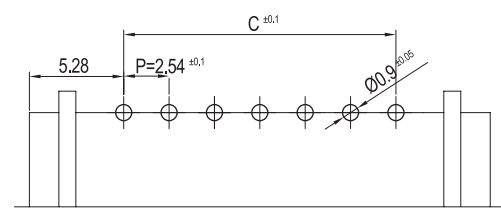
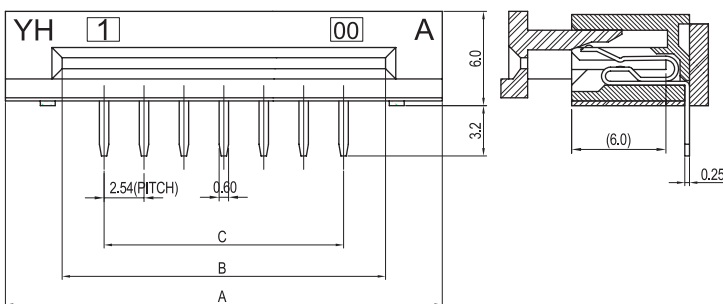
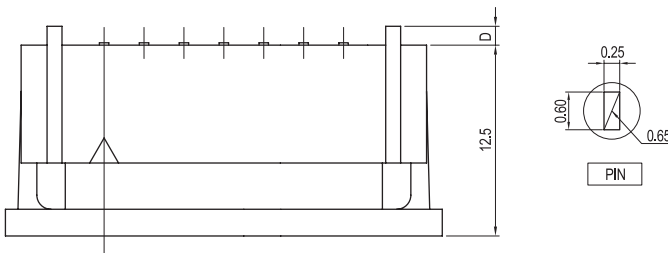
| I/NO | DESCRIPTION | TITLE      | MATERIAL                     |
|------|-------------|------------|------------------------------|
| 1    | HOUSING     | FCZ254-NNR | PBT, UL94 V Grade            |
| 2    | ACTUATOR    |            | PBT, UL94 V Grade            |
| 3    | TERMINAL    | FCZ254     | Phosphor Bronze & Tin-Plated |

## Available Pin

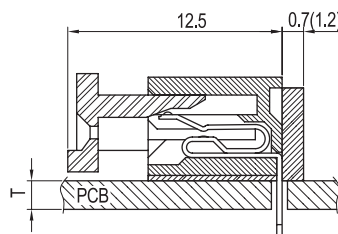
| PARTS NO.  | A     | B     | C     | C        |
|------------|-------|-------|-------|----------|
| FCZ254-08R | 30.34 | 23.12 | 17.78 | 0.7(1.2) |
| FCZ254-09R | 32.88 | 25.66 | 20.32 | 0.7(1.2) |
| FCZ254-10R | 35.42 | 28.20 | 22.86 | 0.7(1.2) |
| FCZ254-11R | 37.96 | 30.74 | 25.4  | 0.7(1.2) |
| FCZ254-12R | 40.50 | 33.28 | 27.94 | 0.7(1.2) |
| FCZ254-13R | 43.04 | 35.82 | 30.48 | 0.7(1.2) |
| FCZ254-14R | 45.58 | 38.36 | 33.02 | 0.7(1.2) |
| FCZ254-16R | 50.66 | 43.44 | 38.10 | 0.7(1.2) |
| FCZ254-17R | 53.20 | 45.98 | 40.64 | 0.7(1.2) |

## Specification

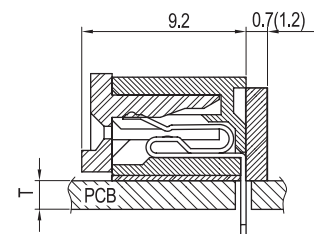
| ITEM                   | SPEC          |
|------------------------|---------------|
| Voltage Rating         | AC/DC 250V    |
| Current Rating         | AC/DC 1A      |
| Operating Temperature  | -25°C ~ +85°C |
| Contact Resistance     | 30mΩ MAX      |
| Withstanding Voltage   | AC1000V/1min  |
| Insulation Resistance  | 1000MΩ MIN    |
| Applicable Wire        | -             |
| Applicable P.C.B       | 1.2 ~ 1.6mm   |
| Applicable FPC/FFC     | 0.30±0.05mm   |
| Solder Height          | -             |
| Crimp Tensile Strength | -             |
| UL FILE NO             | E108706       |



PCB LAYOUT



Actuator Open



Actuator Close

PCB ASS'Y