

Model No.: FF1575M42-AP71 (FSF1575AA1)
 1575.42 MHz SAW Filter (Low insertion loss)

Rev. No.: 2

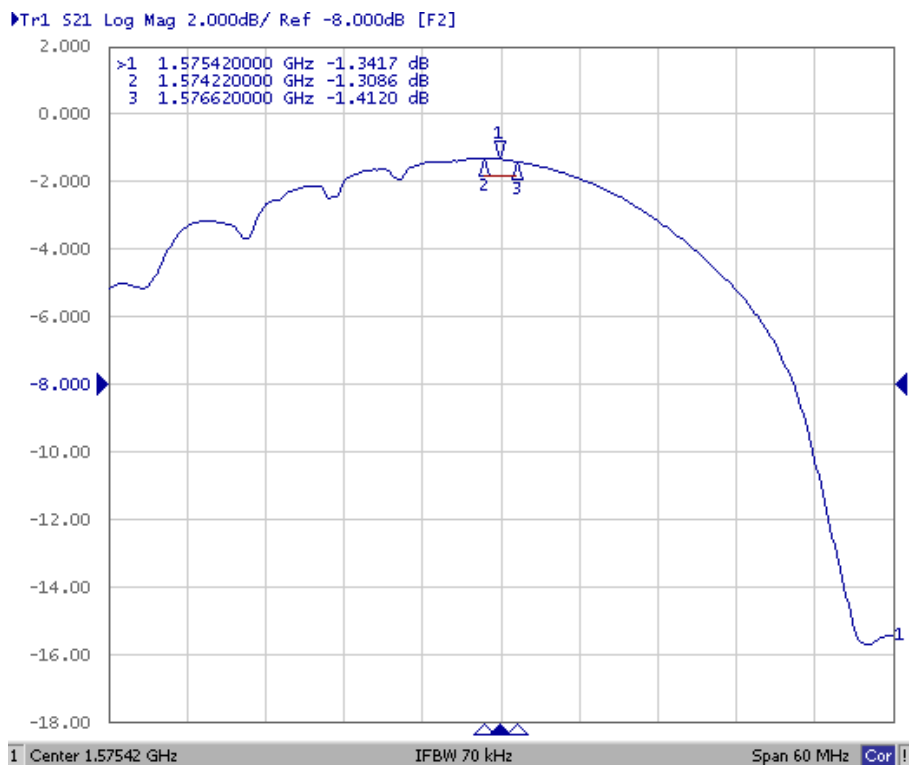
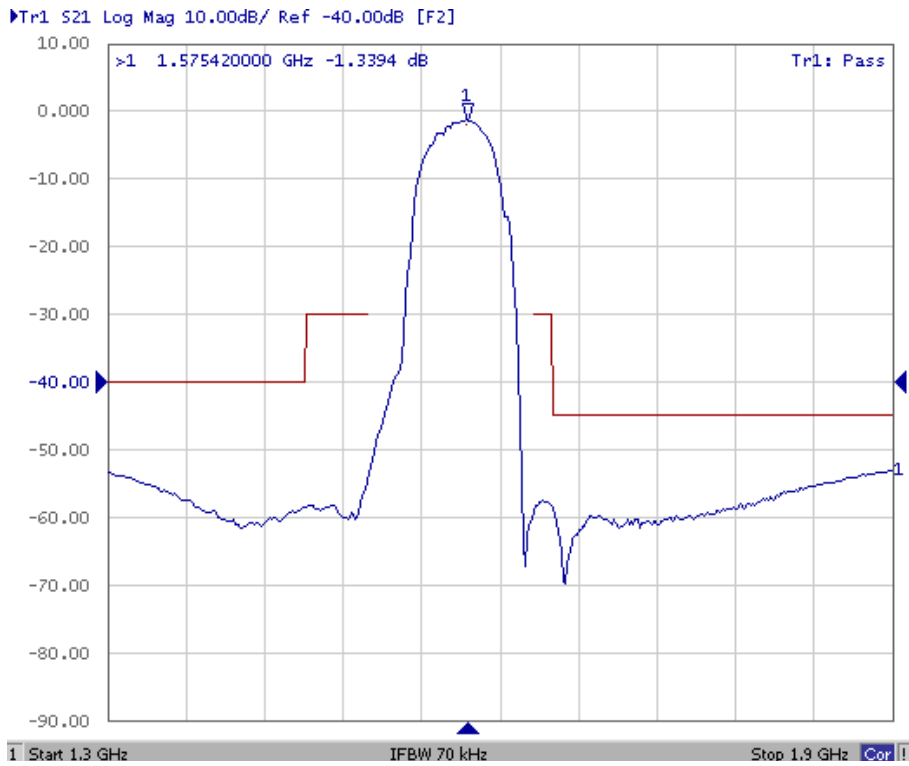
A. Maximum ratings:

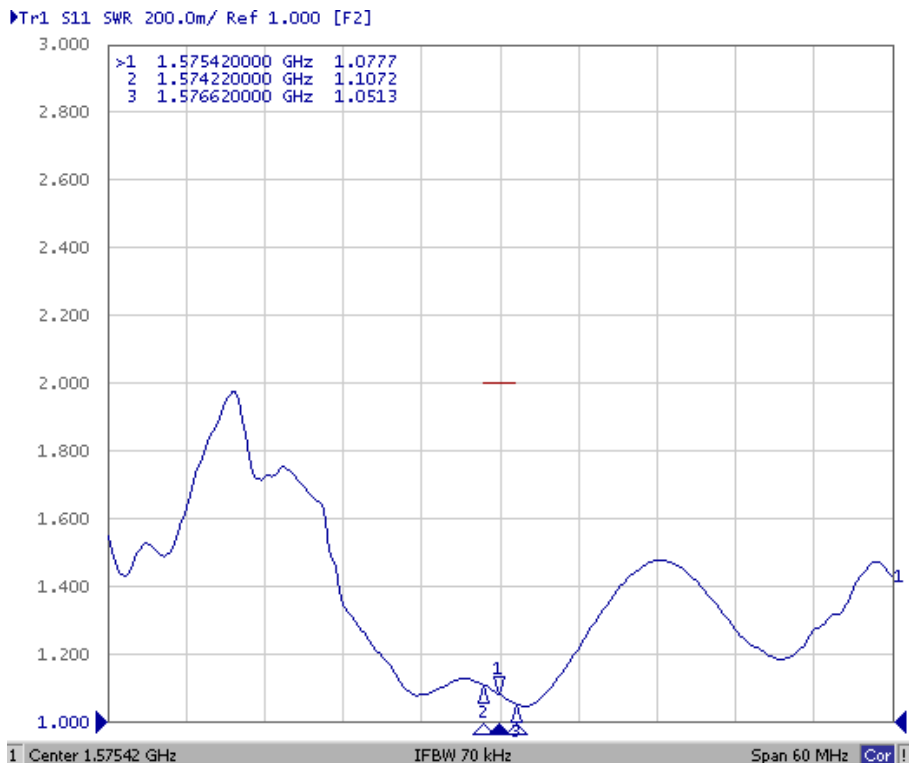
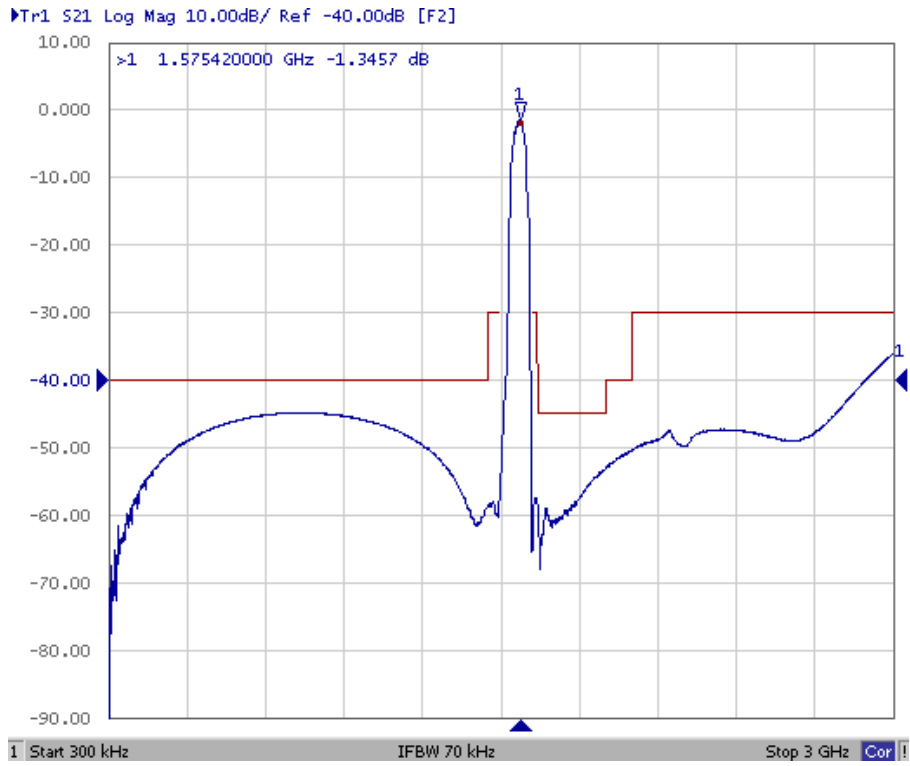
1. Input power level: +10dBm
2. Operating temperature: -40°C to +85°C
3. Storage temperature: -40°C to +85°C

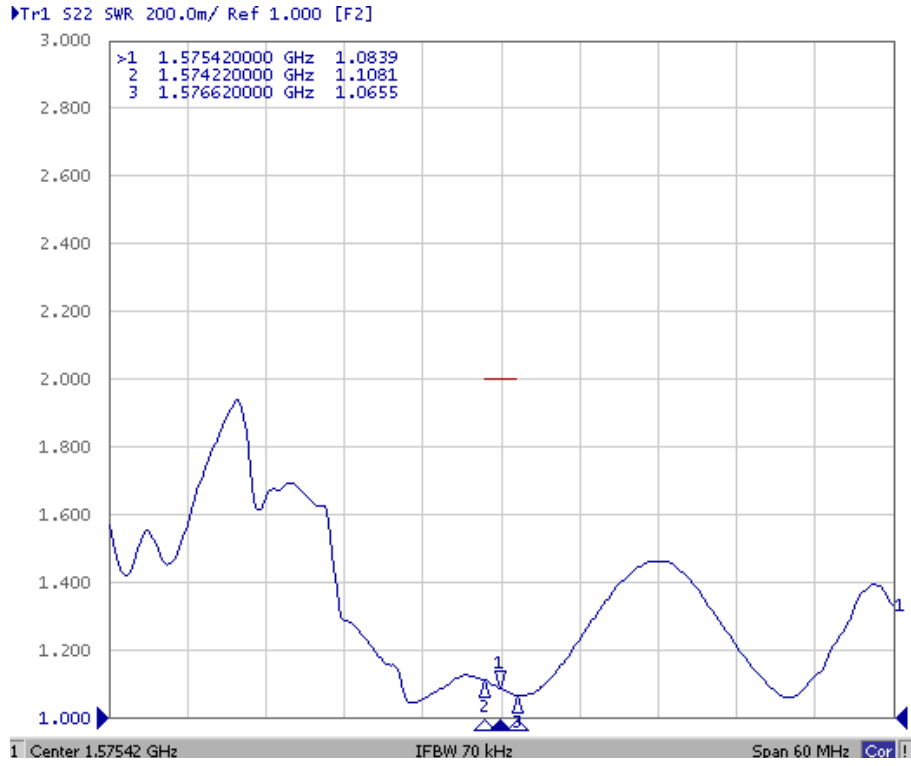
B. Electrical specifications:

Item	Unit	Min.	Typ.	Max.
Center frequency, f_0	MHz	-	1575.42	-
Insertion loss, IL within 1574.22~1576.62MHz	dB	-	1.3	1.8
Amplitude ripple within 1574.22~1576.62MHz	dB	-	0.2	1.0
Input/Output VSWR within 1574.22~1576.62MHz		-	1.3	2
Attenuation (relative to 0dB)				
0 ~ 1450 MHz	dB	40	42	-
1450 ~ 1500 MHz	dB	30	45	-
1625 ~ 1640 MHz	dB	30	58	-
1640 ~ 1900 MHz	dB	45	50	-
1900 ~ 2000 MHz	dB	40	48	-
2000 ~ 3000 MHz	dB	30	35	-
Source / Load impedance	Ω	-	50	-

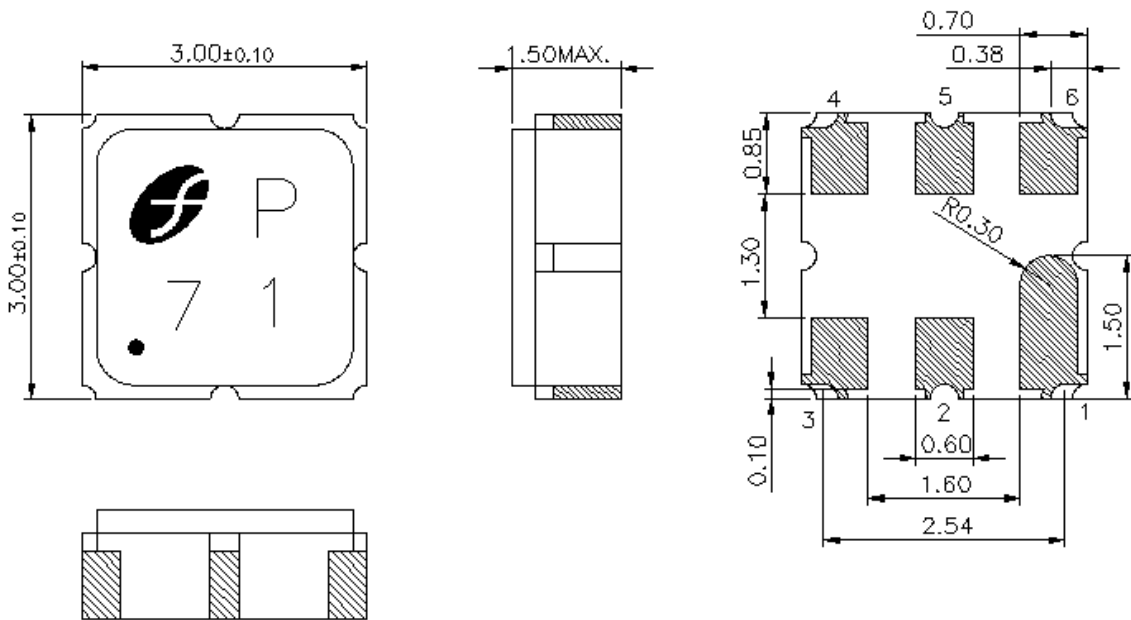
C. Characteristics:







D. Package and pin configuration:



(Unit: mm)

- | | |
|---------------|---------------|
| Pin 1: Ground | Pin 4: Ground |
| Pin 2: Input | Pin 5: Output |
| Pin 3: Ground | Pin 6: Ground |