

FFM101-MH THRU FFM107-MH

Fast recovery type

Features

- Plastic package has Underwriters Laboratory Flammability Classification 94V-O Utilizing Flame Retardant Epoxy Molding Compound.
- For surface mounted applications.
- Exceeds environmental standards of MIL-S-19500 / 228
- Low leakage current

Mechanical data

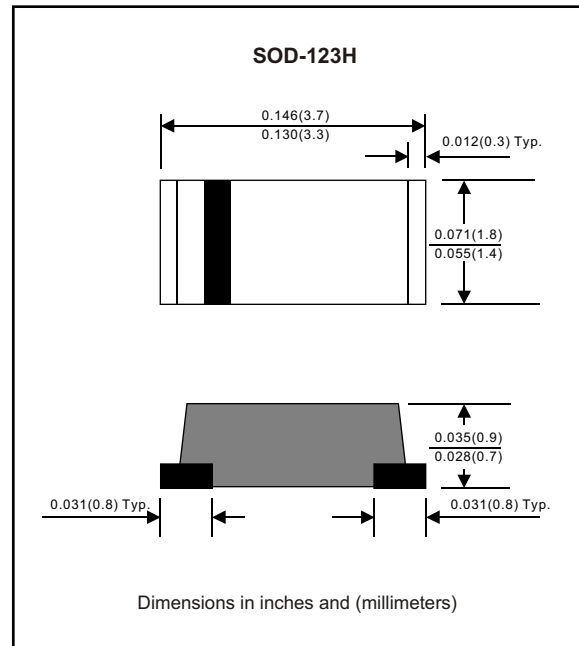
Case : Molded plastic, JEDEC SOD-123H

Terminals : Solder plated, solderable per MIL-STD-750, Method 2026

Polarity : Indicated by cathode band

Mounting Position : Any

Weight : 0.0393 gram



MAXIMUM RATINGS (AT $T_A=25^{\circ}C$ unless otherwise noted)

PARAMETER	CONDITIONS	Symbol	MIN.	TYP.	MAX.	UNIT
Forward rectified current	Ambient temperature = $55^{\circ}C$	I_O			1.0	A
Forward surge current	8.3ms single half sine-wave superimposed on rate load (JEDEC methode)	I_{FSM}			25	A
Reverse current	$V_R = V_{RRM}$ $T_A = 25^{\circ}C$	I_R			5.0	μA
	$V_R = V_{RRM}$ $T_A = 100^{\circ}C$				100	μA
Thermal resistance	Junction to ambient	R_{JA}		42		$^{\circ}C / w$
Diode junction capacitance	$f=1MHz$ and applied 4vDC reverse voltage	C_J		15		pF
Storage temperature		T_{STG}	-55		+150	$^{\circ}C$

SYMBOLS	MARKING CODE	V_{RRM}^{*1} (V)	V_{RMS}^{*2} (V)	V_R^{*3} (V)	V_F^{*4} (V)	T_{RR}^{*5} (nS)	Operating temperature ($^{\circ}C$)
FFM101-MH	F1	50	35	50	1.3	150	-55 to +150
FFM102-MH	F2	100	70	100			
FFM103-MH	F3	200	140	200			
FFM104-MH	F4	400	280	400			
FFM105-MH	F5	600	420	600		250	
FFM106-MH	F6	800	560	800		500	
FFM107-MH	F7	1000	700	1000			

*1 Repetitive peak reverse voltage

*2 RMS voltage

*3 Continuous reverse voltage

*4 Maximum forward voltage

*5 Reverse recovery time

RATING AND CHARACTERISTIC CURVES (FFM101-MH THRU FFM107-MH)

FIG.1-TYPICAL FORWARD CHARACTERISTICS

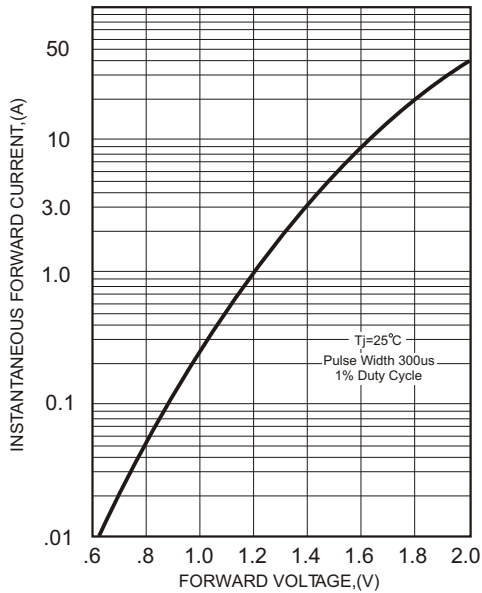


FIG.2-TYPICAL FORWARD CURRENT DERATING CURVE

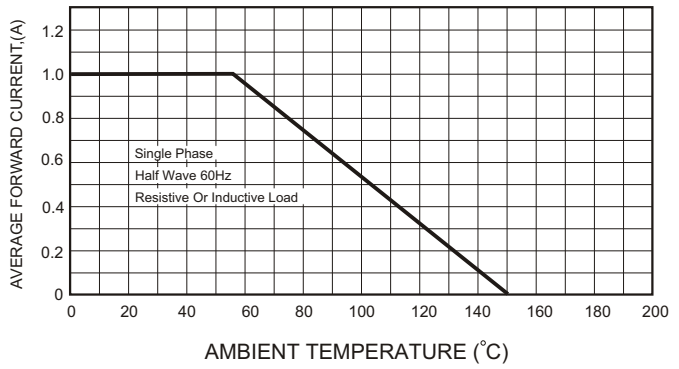


FIG.4-MAXIMUM NON-REPETITIVE FORWARD SURGE CURRENT

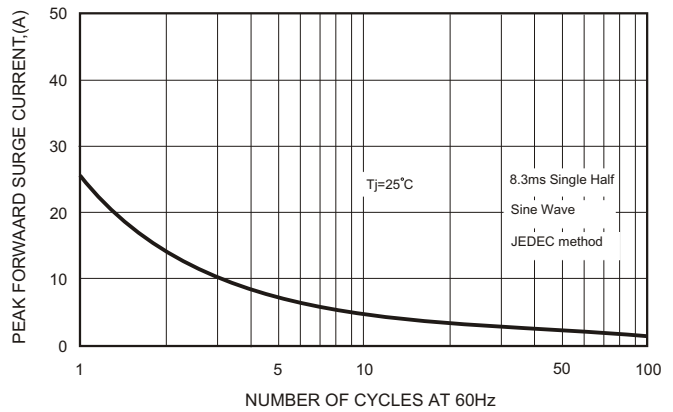
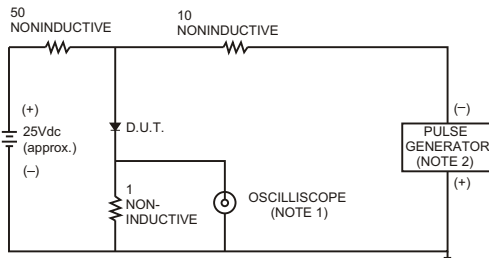


FIG.3- TEST CIRCUIT DIAGRAM AND REVERSE RECOVERY TIME CHARACTERISTICS



NOTES: 1. Rise Time= 7ns max., Input Impedance= 1 megohm, 22pF.
2. Rise Time= 10ns max., Source Impedance= 50 ohms.

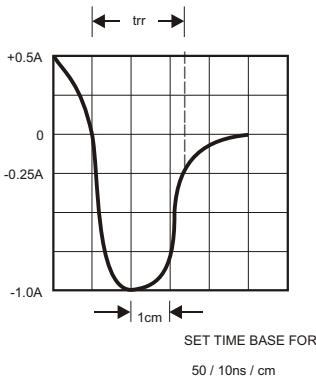


FIG.5-TYPICAL JUNCTION CAPACITANCE

