

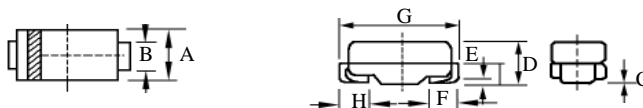
FM4933 – FM4937

 1A 片式快速二极管
 1A FAST RECOVERY SMA DIODES

型号 TYPE	印字 Marking	反向重复 峰值电压 $V_{RRM}(V)$	正向 平均电流 $I_F(A)$	正向 峰值电压 $V_F(V)$	反向 峰值电流 $I_{RM}(\mu A)$	正向 浪涌电流 $I_{FSM}(A)$	反向 恢复时间 $T_{rr}(ns)$	外形尺寸 Package Dimensions
FM4933	FM3	50	1.0	1.20	5.0	30	150	DO – 214AC
FM4934	FM4	100						
FM4935	FM5	200						
FM4936	FM6	400						
FM4937	FM7	600						

Trr 测试条件: $I_F=1A, I_R=0.5A, I_{RR}=0.25A$

Trr Test Conditions: $I_F=1A, I_R=0.5A, I_{RR}=0.25A$



A	B	C	D	E	F	G	H
$\frac{.110(2.8)}{.086(2.2)}$	$\frac{.067(1.7)}{.051(1.3)}$	$\frac{.008}{(.2)} \text{ MAX}$	$\frac{.091(2.3)}{.067(1.7)}$	$\frac{.051(1.3)}{.008(0.2)}$	$\frac{.059(1.5)}{.035(0.9)}$	$\frac{.209(5.3)}{.185(4.7)}$	$\frac{.059(1.5)}{.035(0.9)}$

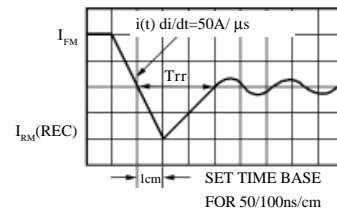
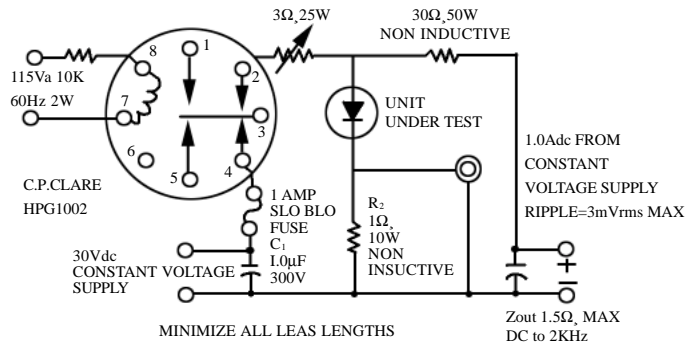
DO – 214AC

FM4933 – FM4937

1 A 片式快速二极管额定值与特性曲线

RATING & CHARACTERISTIC CURVES OF 1A FAST RECOVERY SMA DIODES

FIG.1-REVERSE RECOVERY TIME CHARACTERISTIC AND TEST CIRCUIT DIAGRAM



A TEKTRONIX 545A.K PLUG IN PRE AMP R₂ TEN 1W 10Ω, % CARBON CORE
 P6000 PROBE OR EQUIVALENT IN PARALLEL
 R₁ ADJUSTED FOR 1.4 Ω, BETWEEN T_A 25th °C FOR RECTIFIER
 POINT 2 OF RELAY AND RECTIFIER
 INDUCTIVE = 38μH

FIG.3-TYPICAL FORWARD CHARACTERISTICS

FIG. 2 - TYPICAL FORWARD CURRENT DERATING CURVE

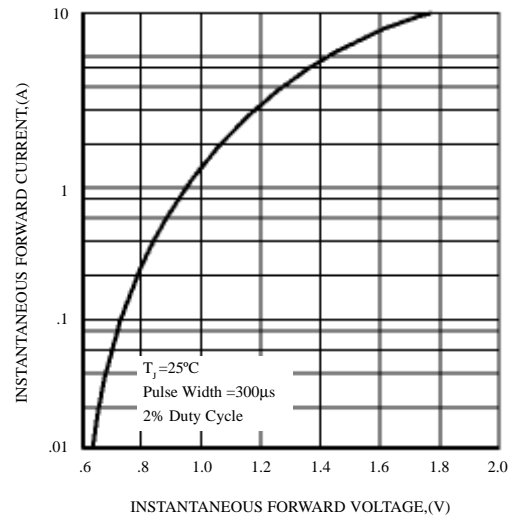
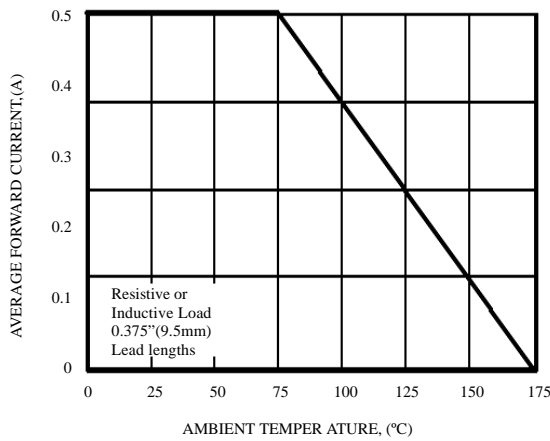


FIG.5-TYPICAL REVERSE CHARACTERISTICS

FIG.4-TYPICAL JUNCTION CAPACITANCE

