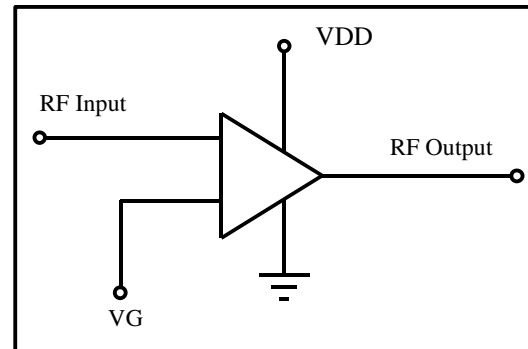


12.7-16GHz MMIC POWER AMPLIFIER
FEATURES:

- Balanced Topology
- 37dBm OIP3
- 30dB Gain
- Input Return Loss < -15dB
- Output Return Loss < -15dB

GENERAL DESCRIPTION:

The FMA3011 is a high performance 12.7-16GHz Gallium Arsenide monolithic power amplifier with sufficiently high gain to ensure that IMD products from preceding stages can be kept to an absolute minimum. Coupled with the the low IMD of this device, highly linear system performance can be achieved, while preserving the overall system gain requirements. It is suitable for use in digital microwave radios and electronic warfare applications. Balanced configuration using Lange couplers ensures excellent return losses and tolerance to external loads. The input stage is self-biased.

FUNCTIONAL SCHEMATIC:

TYPICAL APPLICATIONS:

- Electronic Warfare
- Broadband Communication Infrastructure
- Cellular Backhaul
- Point to Point Radio

ELECTRICAL SPECIFICATIONS:

PARAMETER	CONDITIONS (VDD=7V, ID=450mA)	MIN	TYP	MAX	UNITS
Small Signal Gain	12-16GHz	26.5	30		dB
Input Return Loss	12-16GHz	-12	-15		dB
Output Return Loss	12-16GHz	-12	-15		dB
Output Power at 1dB compression point	13GHz	26	28		dBm
	15GHz	26	28		dBm
3rd Order Output Intercept Point (OIP3)	13GHz (measured at 22dBm total output power)	35.5	37		dBm
	15GHz (measured at 22dBm total output power)	35.5	37		dBm
Noise Figure	12-16GHz		4	4.9	dB
Self-bias Current	Total for both input stages		70	100	mA

Note: T_{AMBIENT} = +25°C, Z₀ = 50Ω

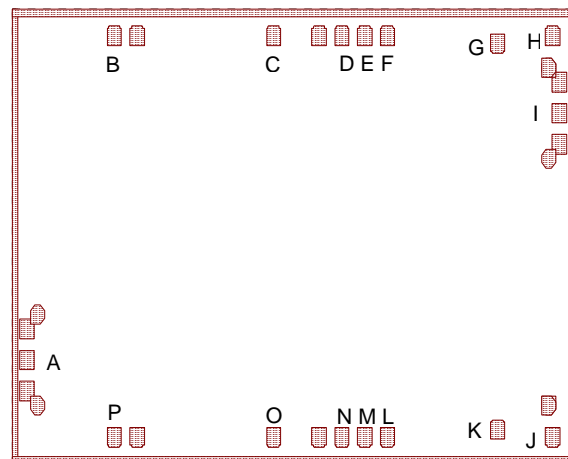
ABSOLUTE MAXIMUM RATINGS:

PARAMETER	SYMBOL	ABSOLUTE MAXIMUM
Max Input Power	Pin	+25dBm
Gate Voltage	VG1	-2V
Drain Voltage	VDD	+10V
Power Dissipation	Pdiss	3.5W
Operating Temp	Toper	-40°C to +85°C
Storage Temp	Tstor	-55°C to +150°C

Note: Exceeding any one of these absolute maximum ratings may cause permanent damage to the device.

PAD LAYOUT:

PAD REF	PAD NAME	DESCRIPTION	PIN COORDINATES (µm)
A	I	RF in	(96,503)
B	D1A	1st Stage Drain	(671,2068)
C	G23A	2nd and 3rd Gate	(1721, 2068)
D	D2AA	2nd Drain Direct	(2171,2068)
E	D2AB	2nd Drain With Resistor	(2321,2068)
F	D3AB	3rd Drain With Resistor	(2471,2068)
G	D3AC	Alt 3rd Drain Direct	(3198,2040)
H	D3AA	3rd Stage Drain Direct	(3560,2068)
I	O	RF Output	(3604,1698)
J	D3BA	3rd Stage Drain Direct	(3560,132)
K	D3BC	Alt 3rd Drain Direct	(3198,160)
L	D3BB	3rd Drain With Resistor	(2471,132)
M	D2BB	2nd Drain With Resistor	(2321,132)
N	D2BA	2nd Drain Direct	(2171,132)
O	G23B	2nd and 3rd Gate	(1721,132)
P	D1B	1st Stage Drain	(671,132)



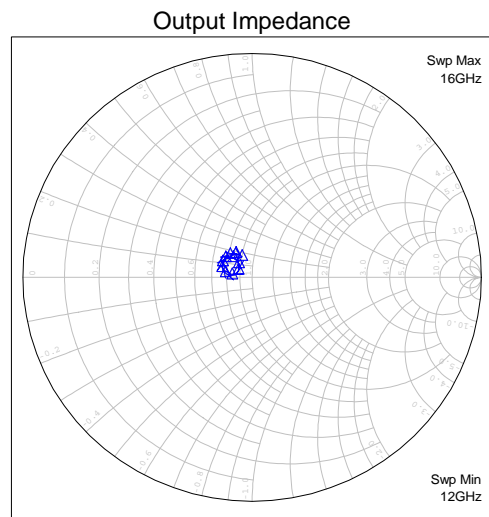
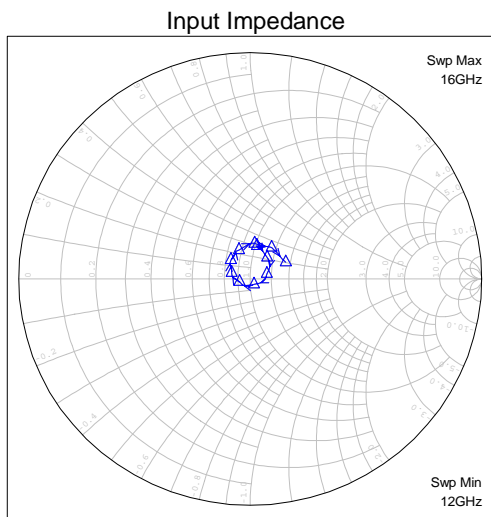
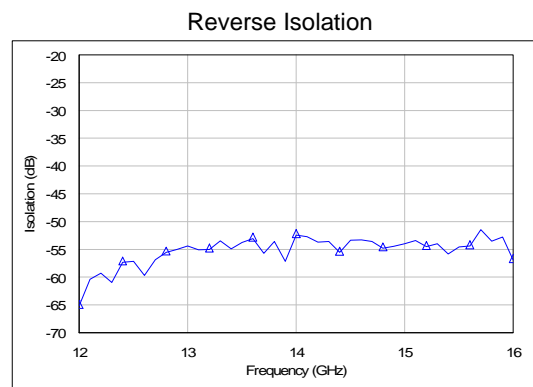
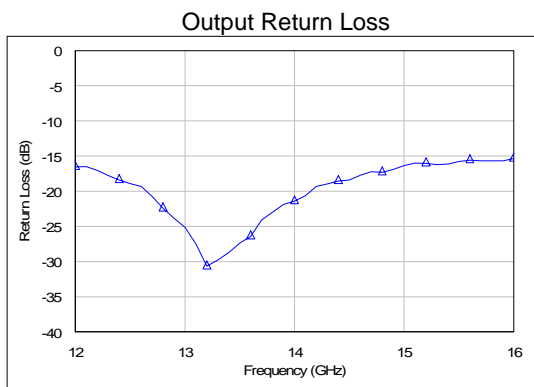
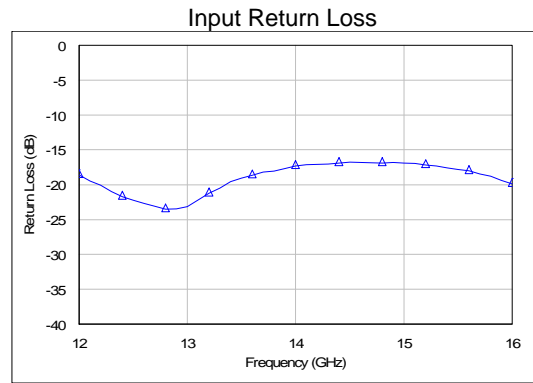
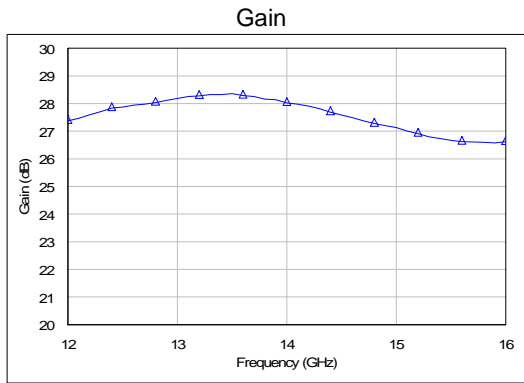
Note: Co-ordinates are referenced from the bottom left hand corner of the die to the centre of bond pad opening. Pads without identifiers are ground connections used in wafer testing.

DIE SIZE (µm)	DIE THICKNESS (µm)	MIN. BOND PAD PITCH (µm)	MIN. BOND PAD OPENING (µm x µm)
3700 x 2200	100	150µm	100 x 100

TYPICAL PERFORMANCE FOR ON WAFER MEASUREMENTS:

Note: RF on wafer measurements conducted at a lower bias point. Gain increases to the typical value at full bias.

Measurement Conditions: $V_{G1} = -0.5V$, $I_D = 180mA$, $V_{DD} = 5V$, $T_{AMBIENT} = 25^{\circ}C$



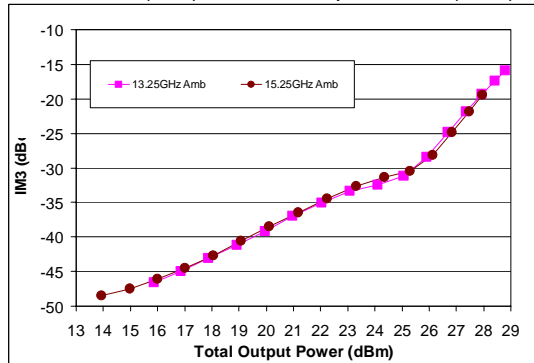
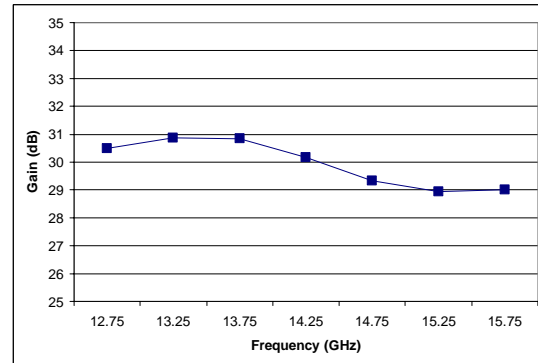
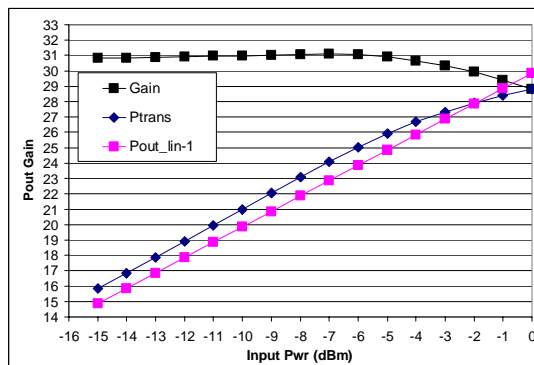
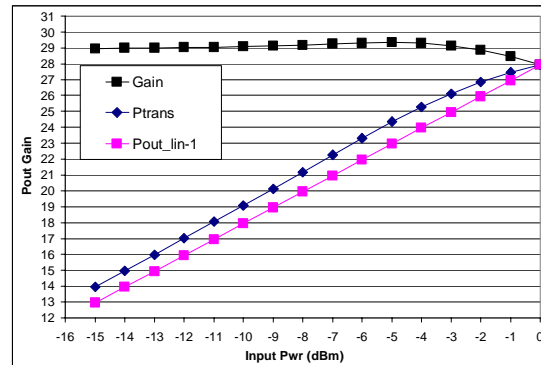
TYPICAL PERFORMANCE FOR ON WAFER MEASUREMENTS:

Note: RF on wafer measurements conducted at a lower bias point. Gain increases to the typical value at full bias.

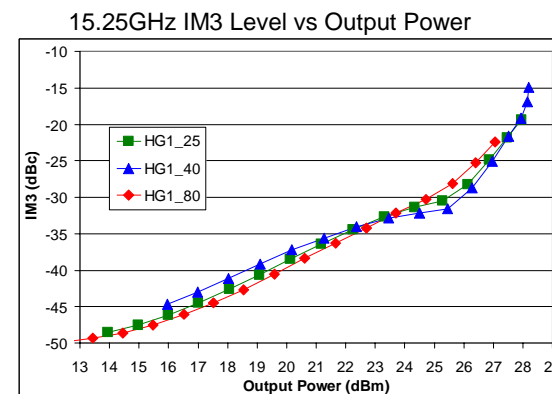
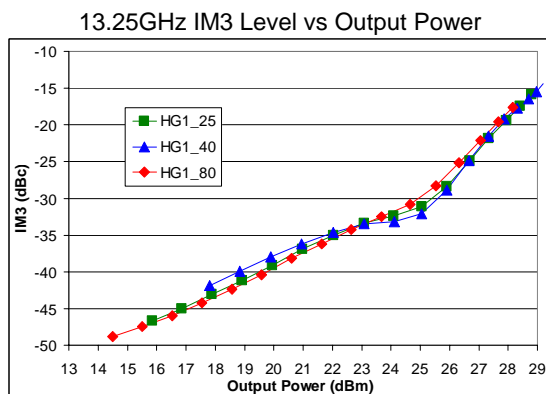
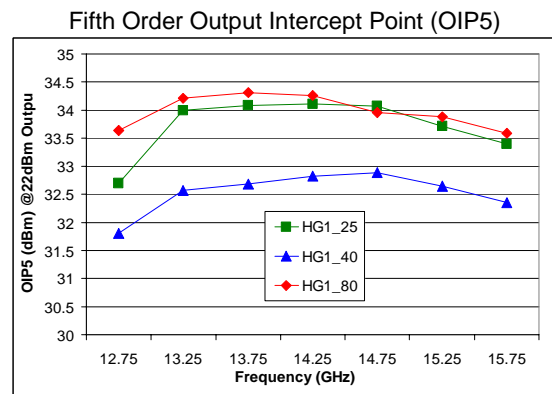
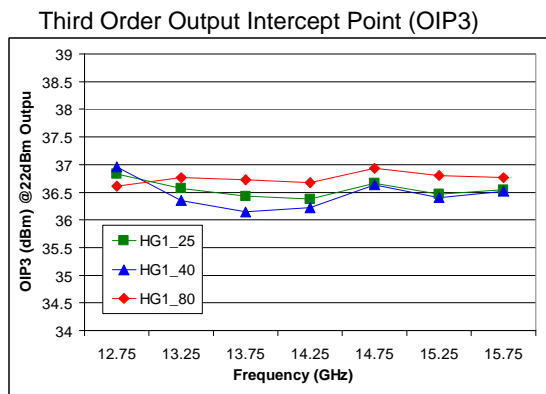
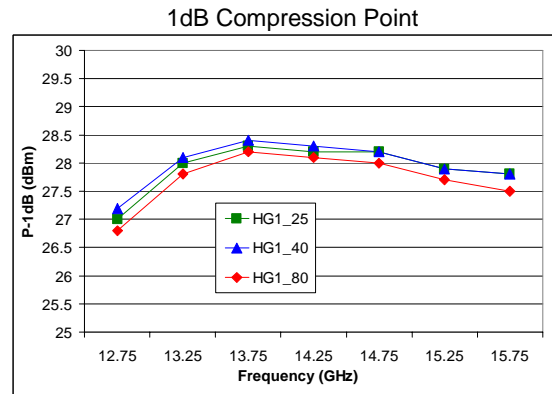
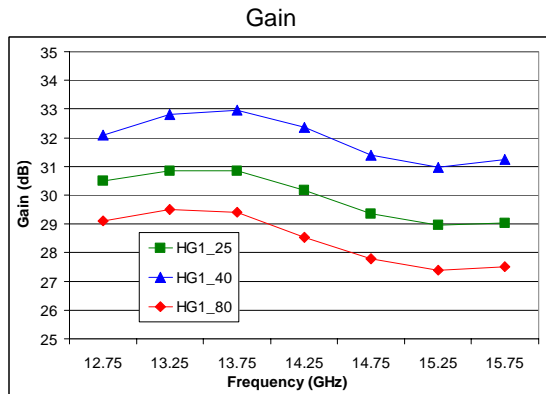
Measurement Conditions: $V_{G1} = -0.5V$, $I_D = 180mA$, $V_{DD} = 5V$, $T_{AMBIENT} = 25^{\circ}C$

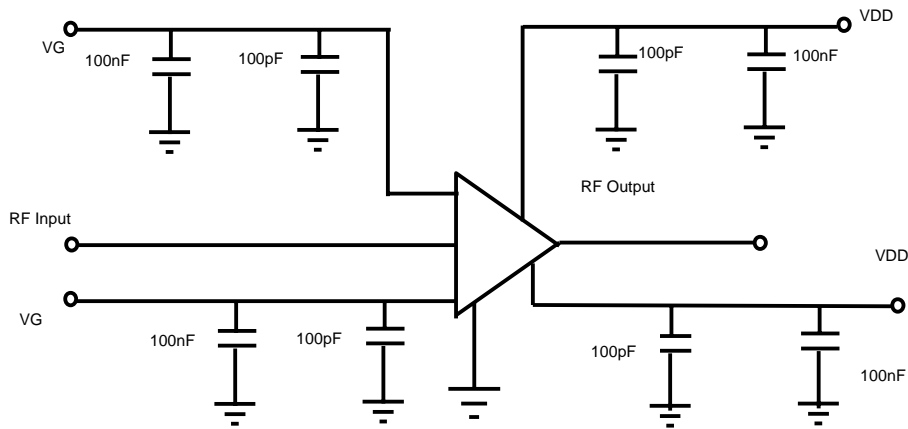
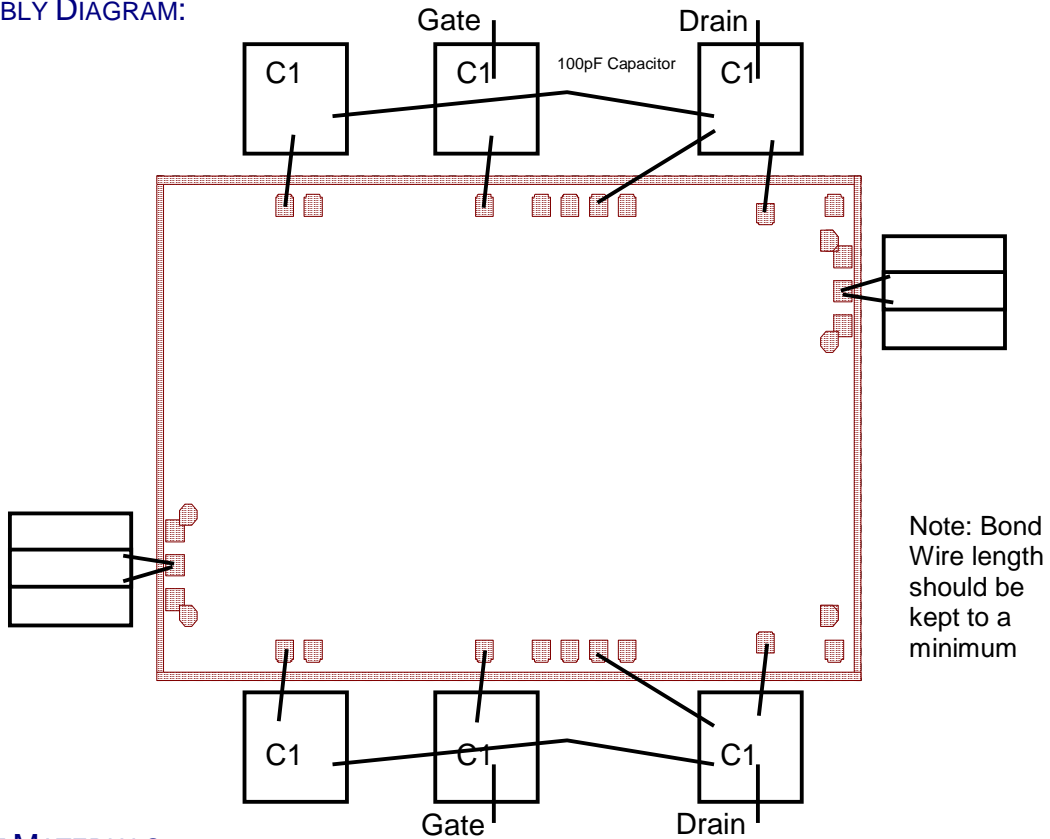
Frequency	ReS11	ImS11	ReS21	ImS21	ReS12	ImS12	ReS22	ImS22
12.000000	0.02862	0.14634	-6.67930	22.40440	-0.00002	-0.00055	-0.08042	0.08541
12.100000	0.04739	0.14199	-3.50866	23.34877	0.00065	-0.00070	-0.06926	0.08047
12.200000	0.05071	0.13091	-0.24776	23.97320	0.00030	-0.00104	-0.06486	0.07525
12.300000	0.05901	0.11523	3.18014	24.08470	0.00038	-0.00081	-0.05980	0.06616
12.400000	0.07374	0.09515	6.72798	23.70643	0.00028	-0.00133	-0.05717	0.05895
12.500000	0.08162	0.07863	10.21719	22.56068	0.00054	-0.00128	-0.05739	0.05220
12.600000	0.08652	0.06465	13.39561	21.06022	0.00018	-0.00102	-0.05660	0.04683
12.700000	0.08131	0.04328	16.42668	18.92982	0.00102	-0.00101	-0.05818	0.03881
12.800000	0.07224	0.02250	19.08678	16.47102	0.00107	-0.00128	-0.05909	0.03077
12.900000	0.06434	-0.00163	21.43423	13.71294	0.00135	-0.00114	-0.06285	0.02316
13.000000	0.05353	-0.01339	23.36681	10.66305	0.00138	-0.00131	-0.06789	0.01570
13.100000	0.03684	-0.02027	24.87215	7.07652	0.00152	-0.00090	-0.07716	0.01088
13.200000	0.01690	-0.02392	25.72424	3.35031	0.00157	-0.00083	-0.08625	0.00932
13.300000	-0.00248	-0.03228	26.09245	-0.53323	0.00209	-0.00036	-0.09435	0.00948
13.400000	-0.01801	-0.03173	25.70407	-4.42088	0.00170	-0.00056	-0.10434	0.01258
13.500000	-0.03347	-0.02676	24.80453	-8.34490	0.00205	-0.00013	-0.11028	0.01474
13.600000	-0.04619	-0.01233	23.09648	-11.90000	0.00219	-0.00038	-0.11522	0.01902
13.700000	-0.06234	-0.00087	21.00504	-15.11085	0.00164	0.00006	-0.12067	0.02500
13.800000	-0.07110	0.00140	18.32389	-17.87180	0.00200	0.00062	-0.12163	0.02956
13.900000	-0.07895	0.01599	15.46391	-20.31469	0.00136	0.00027	-0.12588	0.03534
14.000000	-0.08032	0.02743	12.11258	-22.07279	0.00233	0.00054	-0.13015	0.04070
14.100000	-0.08049	0.04620	8.78339	-23.44850	0.00222	0.00064	-0.13013	0.04824
14.200000	-0.08831	0.06197	5.16222	-24.30297	0.00178	0.00106	-0.12897	0.05541
14.300000	-0.08713	0.07151	1.55327	-24.54886	0.00197	0.00069	-0.12704	0.06067
14.400000	-0.08305	0.08453	-2.05811	-24.14934	0.00129	0.00105	-0.12680	0.06672
14.500000	-0.07201	0.09639	-5.39476	-23.34800	0.00180	0.00118	-0.12620	0.07174
14.600000	-0.06335	0.11361	-8.61700	-22.07628	0.00192	0.00099	-0.12231	0.07730
14.700000	-0.06197	0.12273	-11.48291	-20.37179	0.00166	0.00126	-0.11860	0.08131
14.800000	-0.04812	0.12781	-14.12595	-18.29621	0.00163	0.00080	-0.11485	0.08523
14.900000	-0.03018	0.13962	-16.44033	-15.96085	0.00146	0.00120	-0.11173	0.09098
15.000000	-0.00996	0.15195	-18.40505	-13.31864	0.00124	0.00156	-0.10638	0.09579
15.100000	0.00530	0.15823	-19.86278	-10.37735	0.00121	0.00175	-0.10103	0.09968
15.200000	0.01873	0.15667	-20.88333	-7.40515	0.00121	0.00143	-0.09553	0.10018
15.300000	0.03561	0.15014	-21.43556	-4.37013	0.00093	0.00176	-0.08894	0.10282
15.400000	0.05833	0.14512	-21.67941	-1.27367	0.00029	0.00159	-0.08270	0.10265
15.500000	0.07723	0.14294	-21.46588	1.79864	0.00053	0.00179	-0.07516	0.10419
15.600000	0.09221	0.13881	-20.88945	4.79123	0.00064	0.00179	-0.06926	0.10464
15.700000	0.10365	0.12732	-19.93439	7.75941	0.00080	0.00255	-0.06143	0.10268
15.800000	0.12069	0.11209	-18.55769	10.59434	-0.00001	0.00210	-0.05579	0.10057
15.900000	0.13756	0.08919	-16.75654	13.19331	0.00010	0.00229	-0.04917	0.09557
16.000000	0.15418	0.07345	-14.71157	15.56911	-0.00011	0.00142	-0.04345	0.09163

TYPICAL PERFORMANCE FOR FULL BIAS JIG BASED MEASUREMENTS:

 Note: Measurement Conditions: $V_G = -0.35V$, $V_{DD} = 7V$, $I_d = 450mA$
IM3 Level (dBc) vs Total Output Power (dBm)

Gain

Power Transfer Characteristic 13GHz P-1dB

Power Transfer Characteristic 15GHz P-1dB


TYPICAL PERFORMANCE FOR FULL BIAS JIG BASED TEMPERATURE MEASUREMENTS:

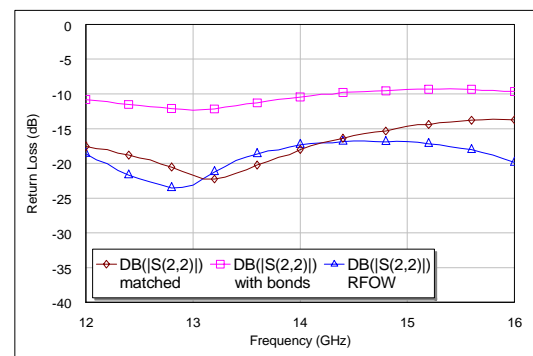
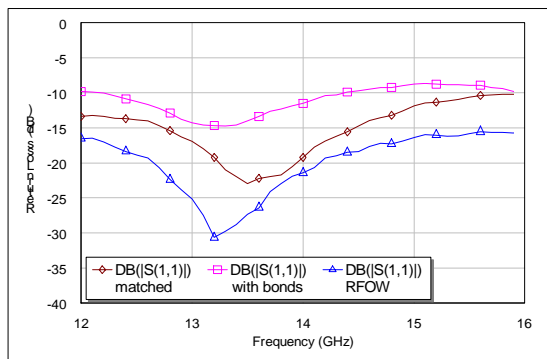
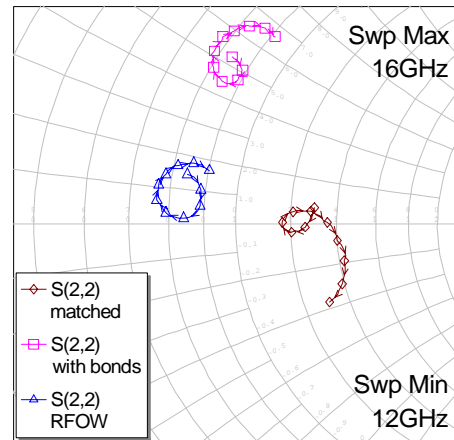
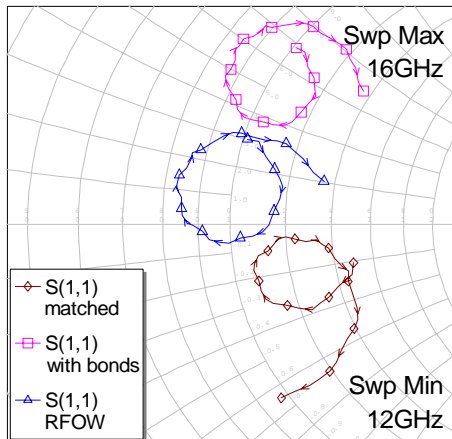
 Note: Measurement Conditions: $V_G = -0.35V$, $V_{DD} = 7V$, $I_d = 450mA$ $T_{AMBIENT} = -40^{\circ}C$, $+25^{\circ}C$ and $+80^{\circ}C$


BIASING CIRCUIT SCHEMATIC:

ASSEMBLY DIAGRAM:

BILL OF MATERIALS:

LABEL	COMPONENT
Board	All RF tracks should be 50Ω characteristic material
C1	Capacitor, 100pF, chip capacitor
	Capacitor, 100nF, 0402

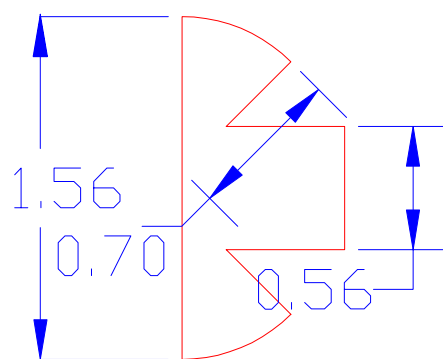
EFFECT OF BONDWIRES AND BOND COMPENSATION:

A pair of bondwires in the 'V' formation shown in the figure above, should if kept reasonably short, yield a combined inter-connect inductance of below 0.25nH. The FMA3011 has excellent return losses (blue triangles) and these are modified by the addition of a 0.25nH bondwire inductance (pink squares) as shown in the figures below.



Once bonded the return losses are still at a reasonable level. They can be improved with a simple compensation network. The figures also show the effect of this bondwire compensation network (brown diamonds). The network is shown at the end of this section.

Dimensions in mm. Material is 10 thou 4350
Er=3.38



PREFERRED ASSEMBLY INSTRUCTIONS:

GaAs devices are fragile and should be handled with great care. Specially designed collets should be used where possible.

The recommended die attach is gold/tin eutectic solder under a nitrogen atmosphere. Stage temperature should be 280-290°C; maximum time at temperature is one minute. The recommended wire bond method is thermo-compression wedge bonding with 0.7 or 1.0 mil (0.018 or 0.025 mm) gold wire. Stage temperature should be 250-260°C.

Bonds should be made from the die first and then to the mounting substrate or package. The physical length of the bondwires should be minimised especially when making RF or ground connections.

ORDERING INFORMATION:

PART NUMBER	DESCRIPTION
FMA3011	Die in Waffle-pack (Gel-pak available on request)

**HANDLING
PRECAUTIONS:**


To avoid damage to the devices care should be exercised during handling. Proper Electrostatic Discharge (ESD) precautions should be observed at all stages of storage, handling, assembly, and testing. These devices should be treated as Class 1A (0-500 V) as defined in JEDEC Standard No. 22-A114. Further information on ESD control measures can be found in MIL-STD-1686 and MIL-HDBK-263.

APPLICATION NOTES & DESIGN DATA:

Application Notes and design data including S-parameters, noise data and large-signal models are available on request.

DISCLAIMERS:

This product is not designed for use in any space based or life sustaining/supporting equipment.