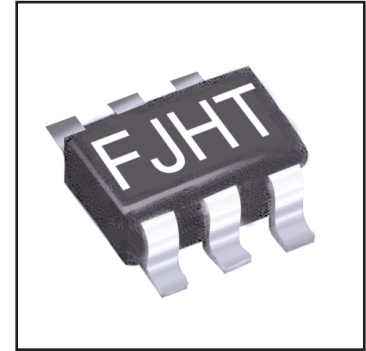


FEATURES

- Low Power Consumption: 60mW (Typ.)
- Operation to 6.0 GHz
- Input Frequency divide by 4, OUT and $\overline{\text{OUT}}$
- -3V (or+3V) DC Single Power Supply
- External 50 ohm Load Driving Capability
- Small 6-pin **Plastic** Package for SMT applications (ML)
- Tape and Reel available



DESCRIPTION

The FMM1062ML is a GaAs Microwave Static Frequency Divider designed for dividing an input signal by 4 over a frequency range from 2.0 to 6.0 GHz. This part is designed for Synthesizer, Phase-Locked Oscillator, Electronic Toll Collection (ETC) applications.

Eudyna's stringent Quality Assurance Program assures the highest reliability and consistent performance.

ABSOLUTE MAXIMUM RATINGS (Ambient Temperature Ta=25°C)

Parameter	Symbol	Limit		Unit
		Min.	Max.	
Supply Voltage	V _{DD}	-0.5	+4.5	V
Input Voltage	I _{DD}	-	40	mA
Input Voltage	V _{in}	-0.5	V _{DD} to +0.5	V
Input Power	P _{in}	-	+13.0	dBm
Storage Temperature	T _{stg}	-65	+150	°C
Power Dissipation	P _D	-	0.12	W

RECOMMENDED OPERATING CONDITIONS

Parameter	Symbol	Limit			Unit
		Min.	Typ.	Max.	
Supply Voltage	V _{DD}	+2.7	+3.0	+3.6	V
Ambient Temperature	T _a	-40	-	+85	°C

ELECTRICAL CHARACTERISTICS (Ambient Temperature Ta = -40~+85°C, VDD = +2.7~+3.6V)

Parameter	Symbol	Condition	Limit			Unit
			Min.	Typ.	Max.	
Power Supply Current	I _{DD}	V _{DD} = 3.0V, T _a = 25°C	-	21.0	-	mA
Output Power	P _{out}	R _L = 50Ω, f _{in} = 5.8 GHz	-8	-4	0	dBm
Operating Frequency	f _{in}	P _{in} = 0dBm	2.0	-	6.0	GHz
Input Power	P _{in}	f _{in} = 2~6 GHz	-5	0	+10	dBm

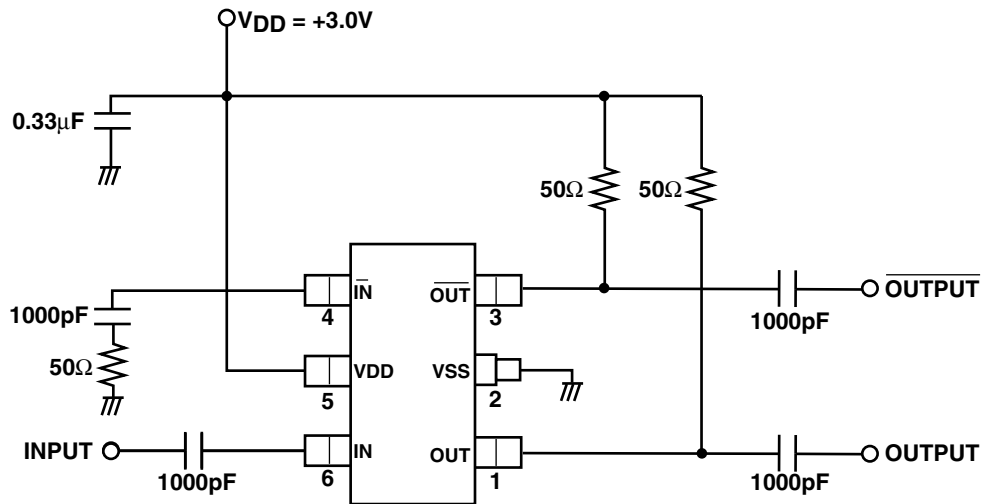
CASE STYLE: ML

1. Electrical characteristics are assured on a lot basis by sample testing at an AQL = 0.1%, Level II. Any lot failure shall be 100% retested.
2. The package marking "FJHT" shows the part number, year and month of manufacturer.

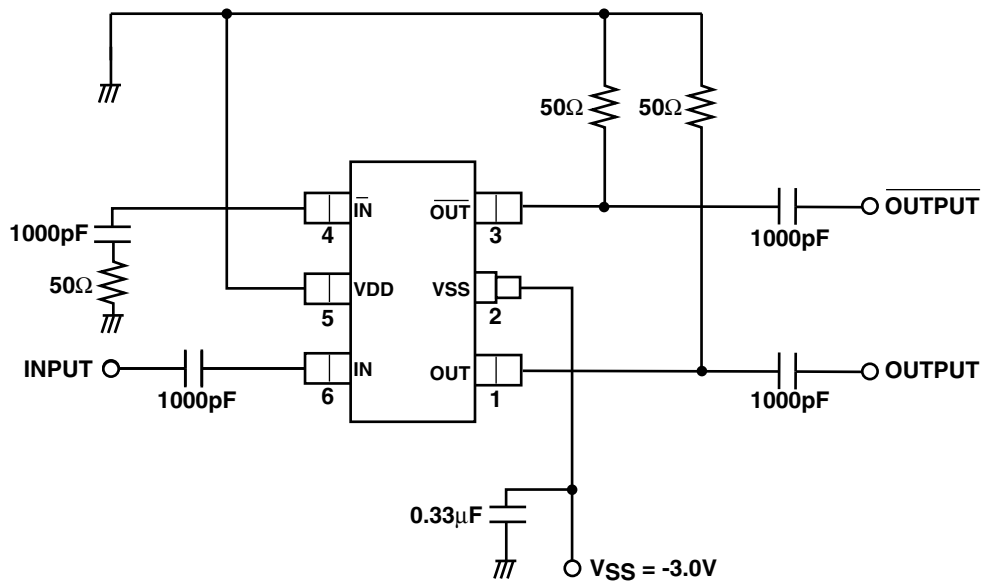
Where: "FJ" indicates the part number (FMM1062ML)
 "H" indicates the year (2000)
 "T" indicates the month (July)

Test Circuit

Positive Supply Voltage
VDD = +3V Operation Circuit



Negative Supply Voltage
VSS = -3V Operation Circuit

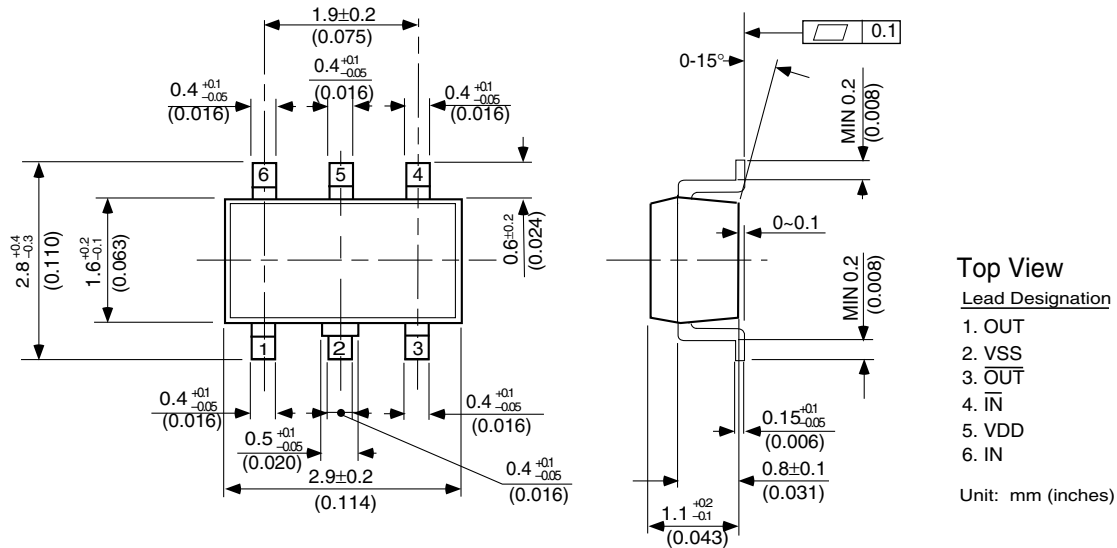


NOTES

FMM1062ML

GaAs MMIC

Case Style "ML"



For further information please contact:

Eudyna Devices USA Inc.

2355 Zanker Rd.
San Jose, CA 95131-1138, U.S.A.
TEL: (408) 232-9500
FAX: (408) 428-9111
www.us.eudyna.com

Eudyna Devices Europe Ltd.

Network House
Norreys Drive
Maidenhead, Berkshire SL6 4FJ
United Kingdom
TEL: +44 (0) 1628 504800
FAX: +44 (0) 1628 504888

Eudyna Devices Asia Pte Ltd.

Hong Kong Branch
Rm. 1101, Ocean Centre, 5 Canton Rd.
Tsim Sha Tsui, Kowloon, Hong Kong
TEL: +852-2377-0227
FAX: +852-2377-3921

Eudyna Devices Inc.

Sales Division
1, Kanai-cho, Sakae-ku
Yokohama, 244-0845, Japan
TEL: +81-45-853-8156
FAX: +81-45-853-8170

CAUTION

Eudyna Devices Inc. products contain **gallium arsenide (GaAs)** which can be hazardous to the human body and the environment. For safety, observe the following procedures:

- Do not put this product into the mouth.
- Do not alter the form of this product into a gas, powder, or liquid through burning, crushing, or chemical processing as these by-products are dangerous to the human body if inhaled, ingested, or swallowed.
- Observe government laws and company regulations when discarding this product. This product must be discarded in accordance with methods specified by applicable hazardous waste procedures.

Eudyna Devices Inc. reserves the right to change products and specifications without notice. The information does not convey any license under rights of Eudyna Devices Inc. or others.

© 2004 Eudyna Devices USA Inc.
Printed in U.S.A.