

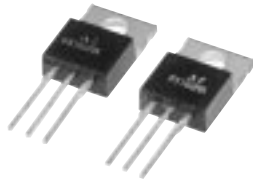
PRELIMINARY
 Notice: This is not a final specification.
 Some parametric limits are subject to change.

MITSUBISHI Nch POWER MOSFET

FS16UMA-5A

HIGH-SPEED SWITCHING USE

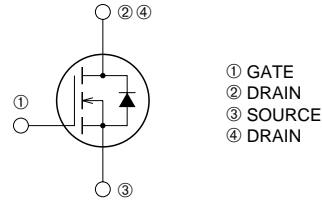
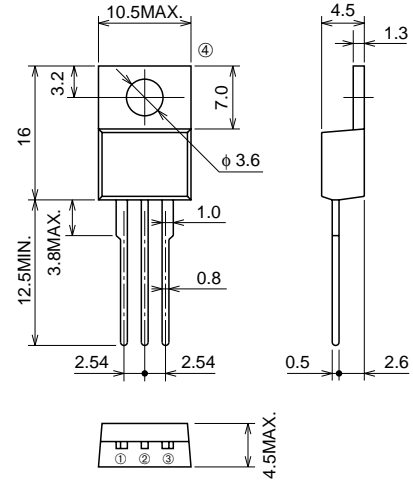
FS16UMA-5A



- 10V DRIVE
- V_{DSS} 250V
- $r_{DS(ON)}(MAX)$ 0.25Ω
- I_D 16A

OUTLINE DRAWING

Dimensions in mm



TO-220

APPLICATION

Cs Switch for CRT Display monitor

MAXIMUM RATINGS (Tc = 25°C)

Symbol	Parameter	Conditions	Ratings	Unit
V_{DSS}	Drain-source voltage	$V_{GS} = 0V$	250	V
V_{GSS}	Gate-source voltage	$V_{DS} = 0V$	± 20	V
I_D	Drain current		16	A
I_{DM}	Drain current (Pulsed)		48	A
I_{DA}	Avalanche drain current (Pulsed)	$L = 200\mu H$	16	A
P_D	Maximum power dissipation		80	W
T_{ch}	Channel temperature		-55 ~ +150	°C
T_{stg}	Storage temperature		-55 ~ +150	°C
—	Weight	Typical value	2.0	g

Sep.1998

PRELIMINARY
 Notice: This is not a final specification.
 Some parametric limits are subject to change.

ELECTRICAL CHARACTERISTICS ($T_{ch} = 25^{\circ}\text{C}$)

Symbol	Parameter	Test conditions	Limits			Unit
			Min.	Typ.	Max.	
V (BR) DSS	Drain-source breakdown voltage	$I_D = 1\text{mA}, V_{GS} = 0\text{V}$	250	—	—	V
I _{GSS}	Gate-source leakage current	$V_{GS} = \pm 20\text{V}, V_{DS} = 0\text{V}$	—	—	± 10	μA
I _{DSS}	Drain-source leakage current	$V_{DS} = 250\text{V}, V_{GS} = 0\text{V}$	—	—	1	mA
V _{GS} (th)	Gate-source threshold voltage	$I_D = 1\text{mA}, V_{DS} = 10\text{V}$	2.0	3.0	4.0	V
r _{DS} (ON)	Drain-source on-state resistance	$I_D = 8\text{A}, V_{GS} = 10\text{V}$	—	0.19	0.25	Ω
V _{DS} (ON)	Drain-source on-state voltage	$I_D = 8\text{A}, V_{GS} = 10\text{V}$	—	1.52	2.00	V
y _{fs}	Forward transfer admittance	$I_D = 8\text{A}, V_{DS} = 10\text{V}$	—	16.0	—	S
C _{iss}	Input capacitance	$V_{DS} = 25\text{V}, V_{GS} = 0\text{V}, f = 1\text{MHz}$	—	1850	—	pF
C _{oss}	Output capacitance		—	180	—	pF
C _{rss}	Reverse transfer capacitance		—	50	—	pF
t _d (on)	Turn-on delay time		—	30	—	ns
t _r	Rise time	$V_{DD} = 150\text{V}, I_D = 8\text{A}, V_{GS} = 10\text{V}, R_{GEN} = R_{GS} = 50\Omega$	—	50	—	ns
t _d (off)	Turn-off delay time		—	320	—	ns
t _f	Fall time		—	70	—	ns
V _{SD}	Source-drain voltage	$I_S = 8\text{A}, V_{GS} = 0\text{V}$	—	0.95	—	V
R _{th} (ch-c)	Thermal resistance	Channel to case	—	—	1.56	$^{\circ}\text{C/W}$