

## GHB-0802R-DR

### Features

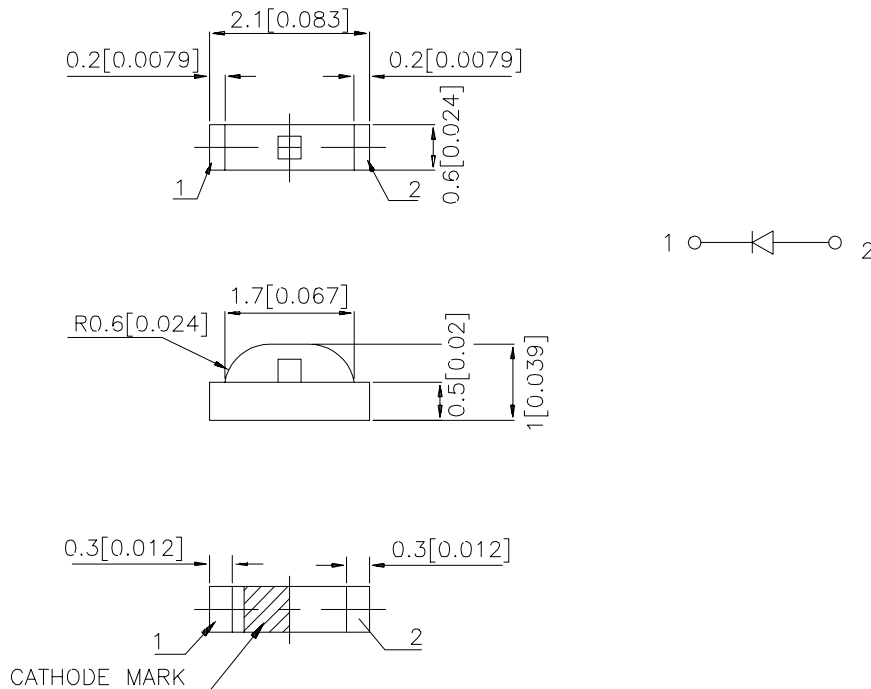
- ✓ 2.1mmx0.6mm SMT LED, 1.0mm THICKNESS.
- ✓ LOW POWER CONSUMPTION.
- ✓ WIDE VIEWING ANGLE.
- ✓ IDEAL FOR BACKLIGHT AND INDICATOR.
- ✓ VARIOUS COLORS AND LENS TYPES AVAILABLE.
- ✓ PACKAGE : 2000PCS / REEL.

### Description

The Super Bright Red source color devices are made with Gallium Aluminum Arsenide Red Light Emitting Diode.

### 3.2x1.6mm RIGHT ANGLE SURFACE LED

### Package Dimensions



#### Notes:

1. All dimensions are in millimeters (inches).
2. Tolerance is 0.2(0.0079") unless otherwise noted.
3. Specifications are subject to change without notice.

## Selection Guide

| Part No.     | Dice                     | Lens Type   | Iv (mcd)<br>@ 20 mA |      | Viewing<br>Angle |
|--------------|--------------------------|-------------|---------------------|------|------------------|
|              |                          |             | Min.                | Typ. |                  |
| GHB-0802R-DR | SUPER BRIGHT RED(GaAlAs) | WATER CLEAR | 50                  | 100  | 120°             |

Note:

- 1/2 is the angle from optical centerline where the luminous intensity is 1/2 the optical centerline value.

## Electrical / Optical Characteristics at T<sub>A</sub>=25 C

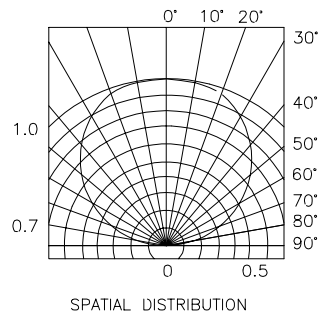
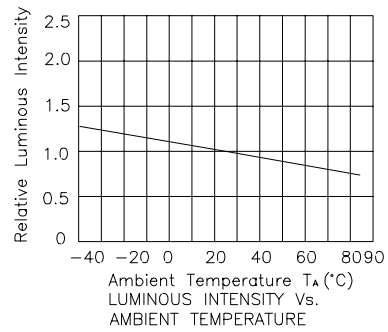
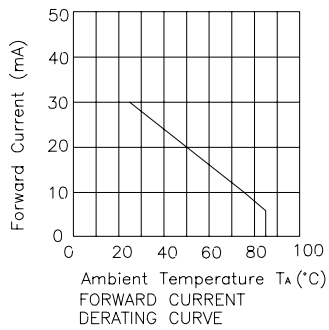
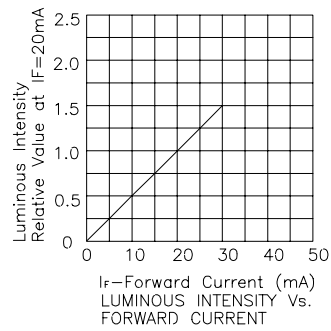
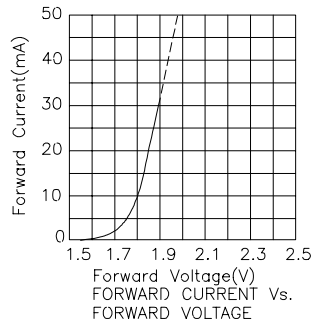
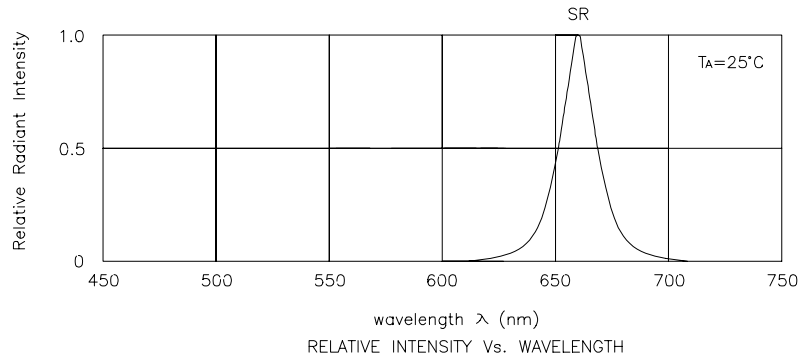
| Symbol         | Parameter                | Device           | Typ. | Max. | Units | Test Conditions           |
|----------------|--------------------------|------------------|------|------|-------|---------------------------|
| peak           | Peak Wavelength          | Super Bright Red | 660  |      | nm    | I <sub>F</sub> =20mA      |
| D              | Dominate Wavelength      | Super Bright Red | 640  |      | nm    | I <sub>F</sub> =20mA      |
| 1/2            | Spectral Line Half-width | Super Bright Red | 20   |      | nm    | I <sub>F</sub> =20mA      |
| C              | Capacitance              | Super Bright Red | 45   |      | pF    | V <sub>F</sub> =0V;f=1MHz |
| V <sub>F</sub> | Forward Voltage          | Super Bright Red | 1.85 | 2.5  | V     | I <sub>F</sub> =20mA      |
| I <sub>R</sub> | Reverse Current          | Super Bright Red |      | 10   | uA    | V <sub>R</sub> = 5V       |

## Absolute Maximum Ratings at T<sub>A</sub>=25 C

| Parameter                     | Super Bright Red | Units |
|-------------------------------|------------------|-------|
| Power dissipation             | 100              | mW    |
| DC Forward Current            | 30               | mA    |
| Peak Forward Current [1]      | 155              | mA    |
| Reverse Voltage               | 5                | V     |
| Operating/Storage Temperature | -40 C To +85 C   |       |

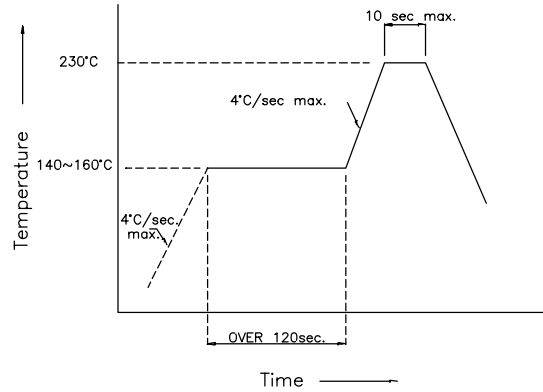
Note:

1. 1/10 Duty Cycle, 0.1ms Pulse Width.

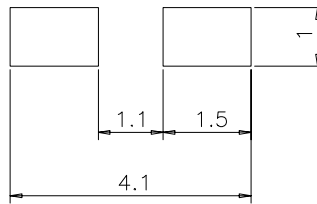


### SMT Reflow Soldering Instructions

Number of reflow process shall be less than 2 times and cooling process to normal temperature is required between first and second soldering process.



### Recommended Soldering Pattern (Units : mm)



### Tape Specifications (Units : mm)

