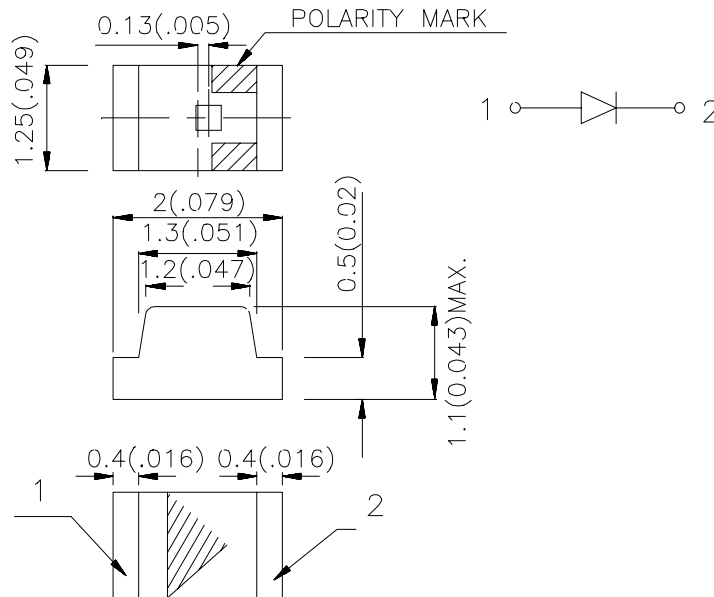


GHB-0805-Y

Features

- ✓ 2.0mmx1.25mm SMT LED, 1.1mm THICKNESS.
- ✓ LOW POWER CONSUMPTION.
- ✓ WIDE VIEWING ANGLE.
- ✓ IDEAL FOR BACKLIGHT AND INDICATOR.
- ✓ VARIOUS COLORS AND LENS TYPES AVAILABLE.
- ✓ PACKAGE: 2000PCS / REEL.

Package Dimensions



Notes:

1. All dimensions are in millimeters (inches).
2. Tolerance is 0.1(0.004") unless otherwise noted.
3. Specifications are subject to change without notice.

Selection Guide

| Part No. | Dice | Lens Type | Iv (mcd) @ 20 mA | | Viewing Angle |
|------------|------------------------------|-------------|---------------------|------|------------------|
| | | | Min. | Typ. | |
| GHB-0805-Y | SUPER BRIGHTYELLOW (InGaAlP) | WATER CLEAR | 36 | 100 | 120 |

Note:

- 1/2 is the angle from optical centerline where the luminous intensity is 1/2 the optical centerline value.

Electrical / Optical Characteristics at T_A=25 C

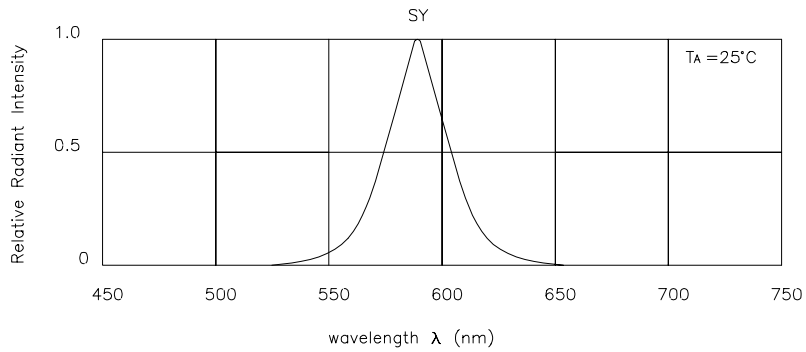
| Symbol | Parameter | Device | Typ. | Max. | Units | Test Conditions |
|----------------|--------------------------|---------------------|------|------|-------|---------------------------|
| peak | Peak Wavelength | Super Bright Yellow | 590 | | nm | I _F =20mA |
| D | Dominant Wavelength | Super Bright Yellow | 588 | | nm | I _F =20mA |
| 1/2 | Spectral Line Half-width | Super Bright Yellow | 28 | | nm | I _F =20mA |
| C | Capacitance | Super Bright Yellow | 25 | | pF | V _F =0V;f=1MHz |
| V _F | Forward Voltage | Super Bright Yellow | 2.0 | 2.5 | V | I _F =20mA |
| I _R | Reverse Current | Super Bright Yellow | | 10 | uA | V _R = 5V |

Absolute Maximum Ratings at T_A=25 C

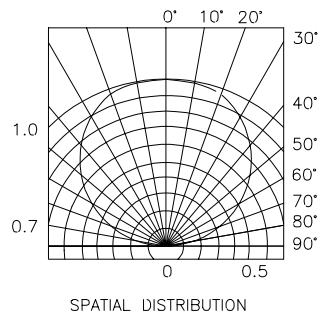
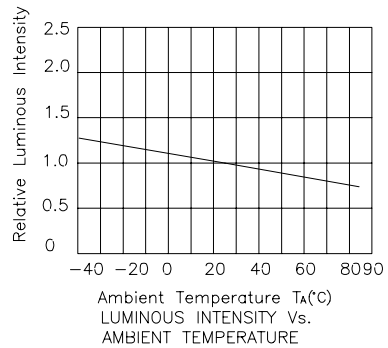
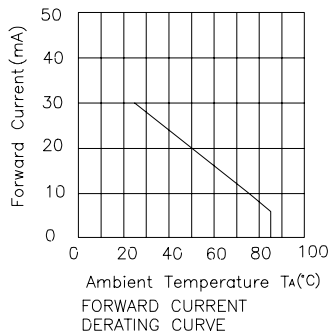
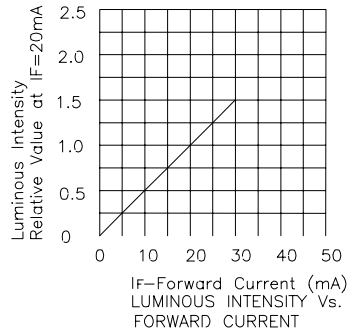
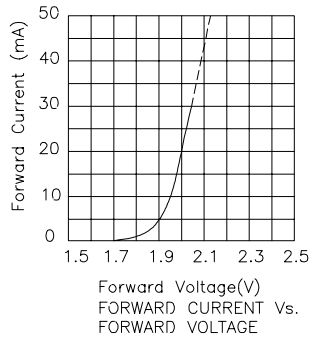
| Parameter | Super Bright Yellow | Units |
|-------------------------------|---------------------|-------|
| Power dissipation | 125 | mW |
| DC Forward Current | 30 | mA |
| Peak Forward Current [1] | 150 | mA |
| Reverse Voltage | 5 | V |
| Operating/Storage Temperature | -40 C To +85 C | |

Note:

1. 1/10 Duty Cycle, 0.1ms Pulse Width.

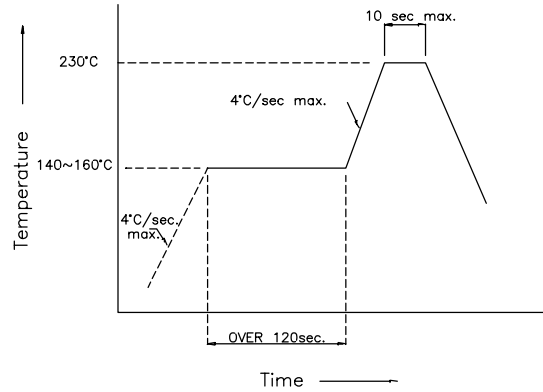


RELATIVE INTENSITY Vs. WAVELENGTH

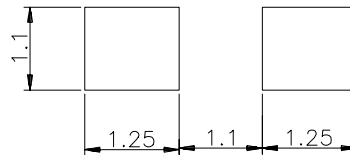


SMT Reflow Soldering Instructions

Number of reflow process shall be less than 2 times and cooling process to normal temperature is required between first and second soldering process.



Recommended Soldering Pattern (Units : mm)



Tape Specifications (Units : mm)

