

## GHB-SOT23-Y

### Features

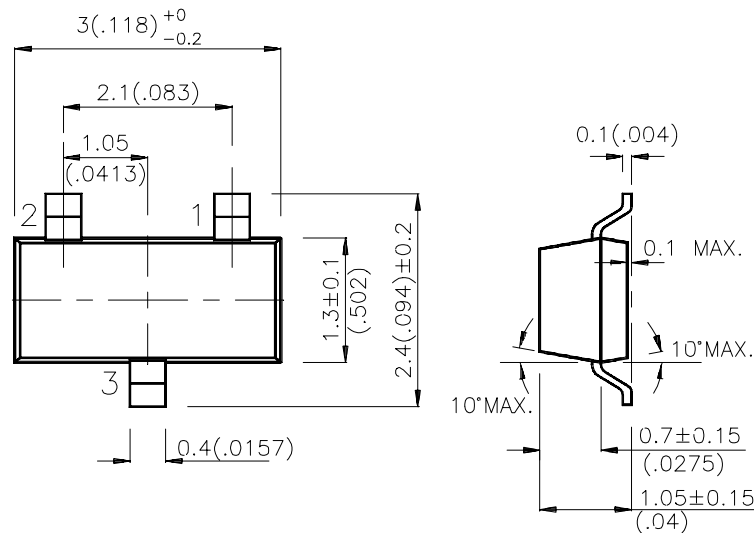
- ✓SOT-23 PACKAGE SURFACE MOUNT LED LAMP.
- ✓LOW POWER CONSUMPTION.
- ✓LONG LIFE - SOLID STATE RELIABILITY.
- ✓PACKAGE: 2000PCS / REEL.

### Description

The Super Bright Yellow source color devices are made with DH InGaAlP on GaAs substrate Light Emitting Diode.

### SOT-23 SURFACE MOUNT LED LAMP

### Package Dimensions



- 1 ANODE
- 2 N.C.
- 3 CATHODE

#### Notes:

1. All dimensions are in millimeters (inches).
2. Tolerance is  $0.25(0.01)$ " unless otherwise noted.
3. Lead spacing is measured where the lead emerge package.
4. Specifications are subject to change without notice.

## Selection Guide

Part No.	Dice	Lens Type	I <sub>v</sub> (mcd) @ 20 mA		Viewing Angle
			Min.	Typ.	2 1/2
GHB-SOT23-Y	SUPER BRIGHT YELLOW (InGaAlP)	WATER CLEAR	50	100	140°

Note:

1. 1/2 is the angle from optical centerline where the luminous intensity is 1/2 the optical centerline value.

## Electrical / Optical Characteristics at T<sub>A</sub>=25 C

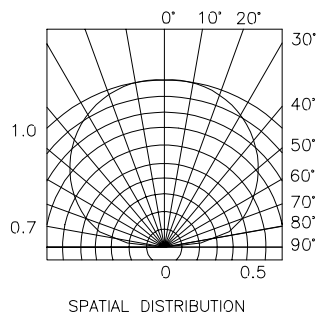
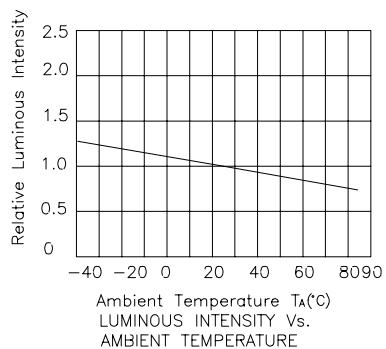
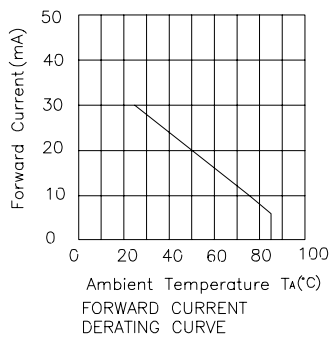
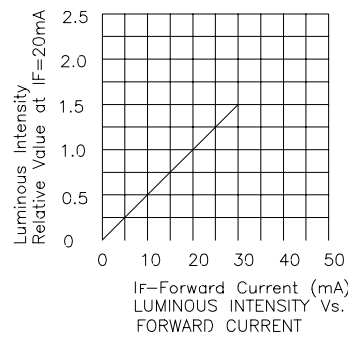
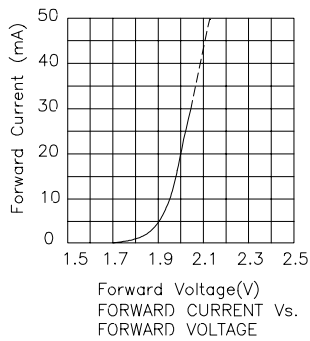
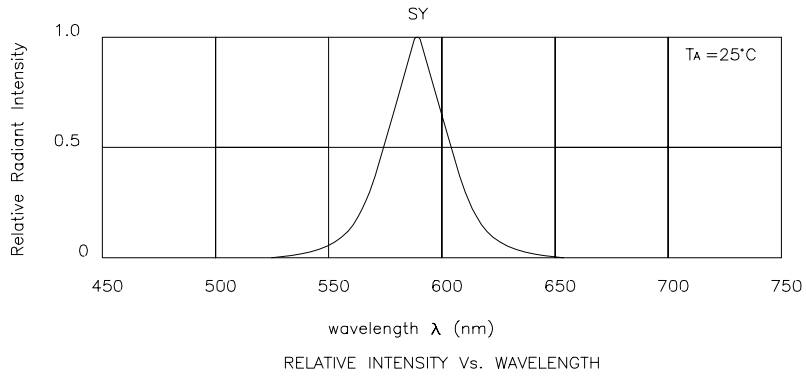
Symbol	Parameter	Device	Typ.	Max.	Units	Test Conditions
peak	Peak Wavelength	Super Bright Yellow	590		nm	I <sub>F</sub> =20mA
D	Dominate Wavelength	Super Bright Yellow	588		nm	I <sub>F</sub> =20mA
1/2	Spectral Line Half-width	Super Bright Yellow	28		nm	I <sub>F</sub> =20mA
C	Capacitance	Super Bright Yellow	25		pF	V <sub>F</sub> =0V;f=1MHz
V <sub>F</sub>	Forward Voltage	Super Bright Yellow	2.0	2.5	V	I <sub>F</sub> =20mA
I <sub>R</sub>	Reverse Current	Super Bright Yellow		10	uA	V <sub>R</sub> = 5V

## Absolute Maximum Ratings at T<sub>A</sub>=25 C

Parameter	Super Bright Yellow	Units
Power dissipation	125	mW
DC Forward Current	30	mA
Peak Forward Current [1]	150	mA
Reverse Voltage	5	V
Operating/Storage Temperature	-40 C To +85 C	

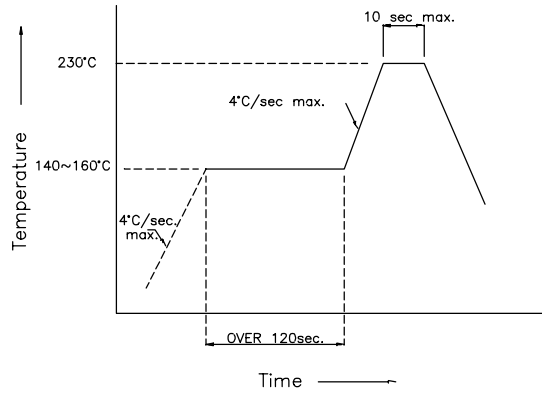
Note:

1. 1/10 Duty Cycle, 0.1ms Pulse Width.

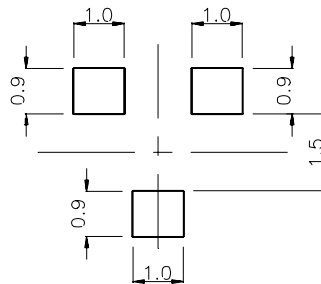


### SMT Reflow Soldering Instructions

Number of reflow process shall be less than 2 times and cooling process to normal temperature is required between first and second soldering process.



### Recommended Soldering Pattern (Units : mm)



### Tape Specifications (Units : mm)

