

Under Development

## Square type Optical Fiber Transmitter / Receiver Unit for 3V Operation and Double Speed

[GP1FA313TZ/RZ, GP1FA352TZ/RZ]

### Features

- Double speed for high quality audio signal I/O (Data rate: MAX 15.5 Mbps)
- Low voltage operation ( $V_{CC}$ =2.7 to 3.6V)
- Low current consumption

### Applications

- DVD player
- AV amplifier

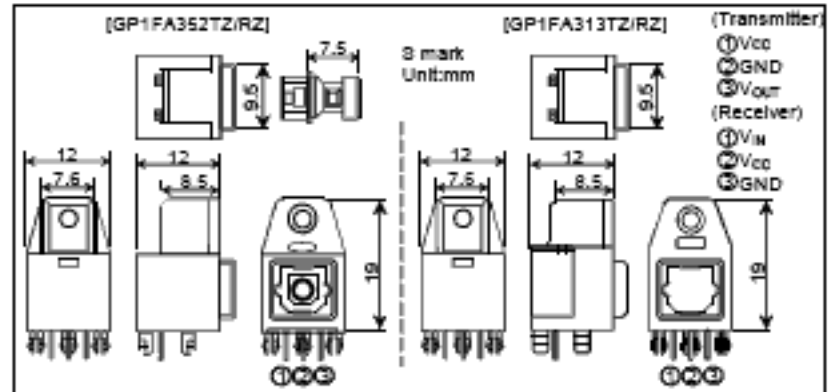
### Development of Square type optical fiber for double speed



### Specifications

Transmitter			Receiver		
Parameter	Symbol	Characteristics	Parameter	Symbol	Characteristics
Operating supply voltage	$V_{CC}$	2.7 to 3.6 V	Operating supply voltage	$V_{CC}$	2.7 to 3.6 V
Consumption current	$I_{CC}$	MAX 12 mA	Consumption current	$I_{CC}$	MAX 15 mA
Peak emission wavelength	$\lambda_p$	TYP 680 nm	Minimum input optical level	$P_{MIN}$	MAX -27 dBm
Optical output coupling loss	$P_c$	MIN -21 dBm	Data rate	$f$	MAX 15.5 Mbps
Data rate	$f$	MAX 15.5 Mbps	Jitter	$j$	TYP 1 ns
Jitter	$j$	TYP 1 ns	Operating temperature	$T_{op}$	-20 to +70 °C
Operating temperature	$T_{op}$	-20 to +70 °C			

### Outline dimensions



### Line-up of Square type Optical fiber unit

