

# GT15 Series

— HID Lamp DII Sockets —

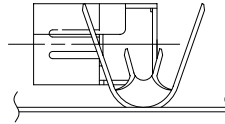
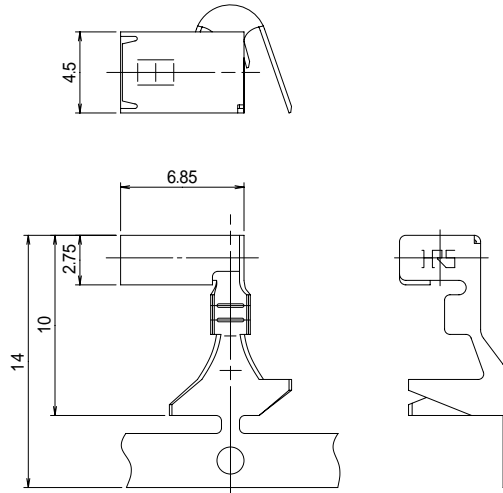


## ■ Features

- Engages with P32d type lamp base conforming to the IEC61-1 standard.
- Crimping is used as the wiring method with the cable to make assembly very easy.
- A bulb check function is available with some types (e.g., GT15A and B).
- GT15B permits shielded mounting.

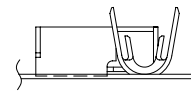
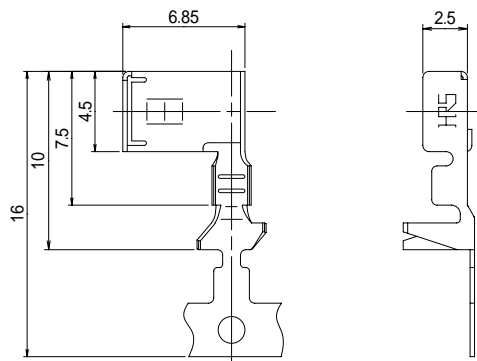


● Terminals



| Part Number   | CL No.     | Conductor Size (AWG) | Outer Diameter |
|---------------|------------|----------------------|----------------|
| GT15B-2024SCF | 765-0022-6 | #20 to 24            | 3.6 to 4.0 mm  |

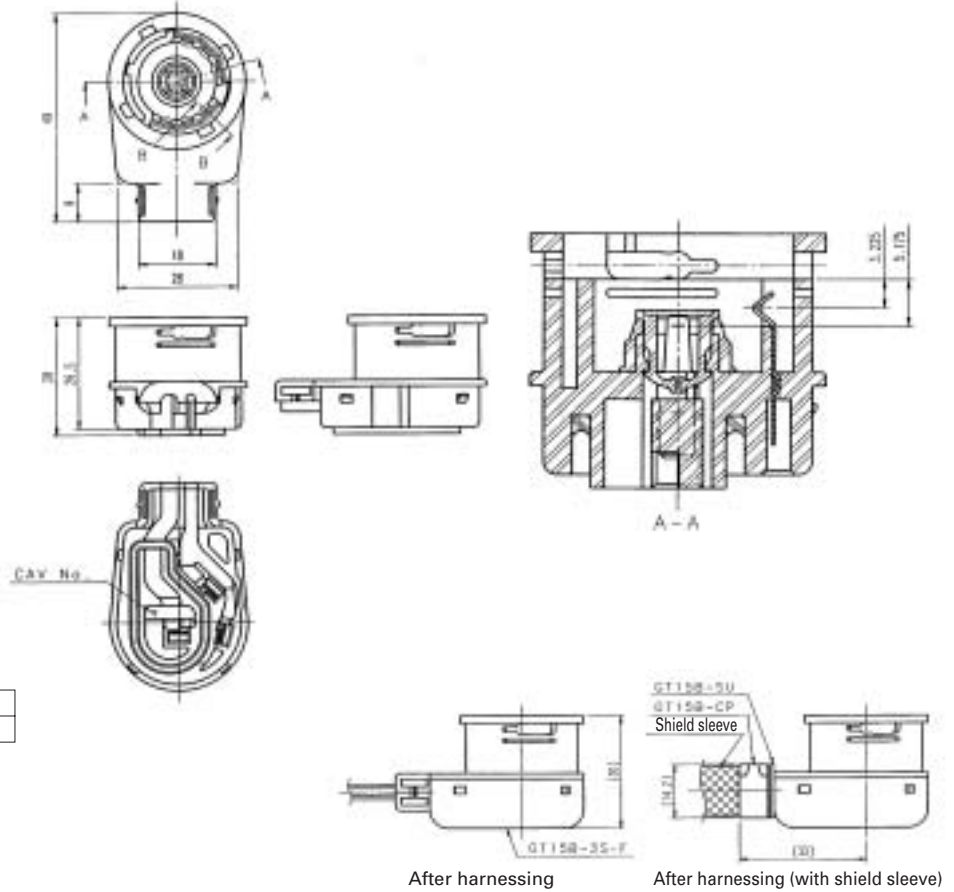
\* For high-voltage cables



| Part Number       | CL No.     | Conductor Size (AWG) | Outer Diameter |
|-------------------|------------|----------------------|----------------|
| GT15A-2024SCF (A) | 765-0014-8 | #20 to 24            | 1.8 to 2.2 mm  |
| GT15A-2024SCF (B) | 765-0025-4 | #20 to 24            | 2.4 to 2.7 mm  |

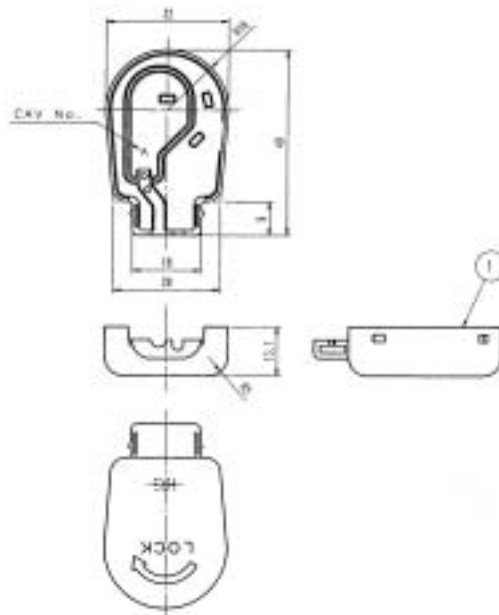
\* For low-voltage check cables

● Body



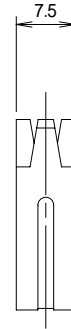
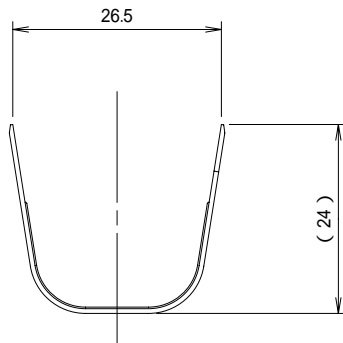
| Part Number | CL No.     |
|-------------|------------|
| GT15B-3S    | 765-0020-0 |

● Cover



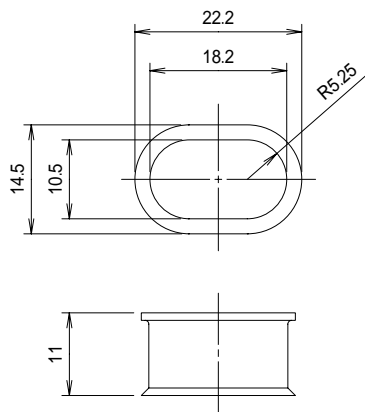
| Part Number | CL No.     |
|-------------|------------|
| GT15B-3S-F  | 765-0021-3 |

● Shield Clamp



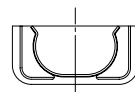
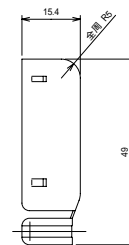
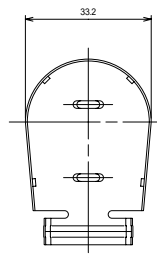
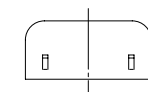
|             |            |
|-------------|------------|
| Part Number | CL No.     |
| GT15B-CP    | 765-0023-9 |

● Shield Sleeve



|             |            |
|-------------|------------|
| Part Number | CL No.     |
| GT15B-SU    | 765-0024-1 |

● Shield Cover



|             |            |
|-------------|------------|
| Part Number | CL No.     |
| GT15B-SC-K  | 765-0037-3 |

## ◆ Termination Tools

User's manuals are available. Please contact your Hirose Electric account representative.

### ● Automatic Crimping Machine

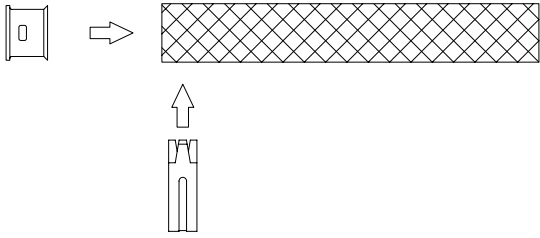
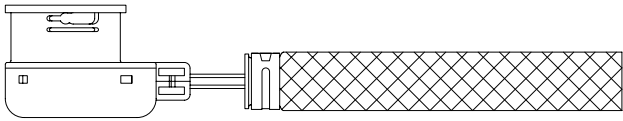
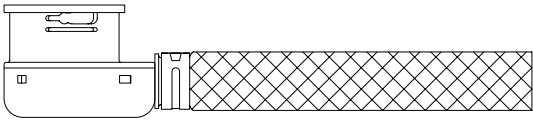
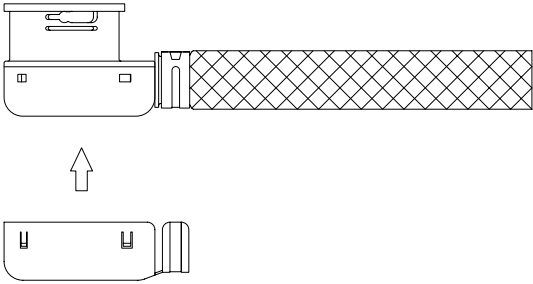
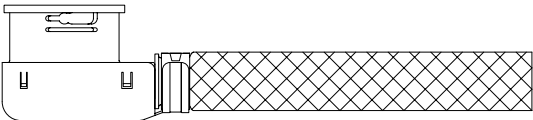


Part number CM-105

#### Specifications

| Item              | Specification                | Remarks       |
|-------------------|------------------------------|---------------|
| Specification     | 1.5ton                       |               |
| Stroke length     | 30mm                         |               |
| Number of strokes | 200spm (50Hz)                | 240spm (60Hz) |
| Wight             | 75kg                         |               |
| Motor             | 0.2kW                        | AC100V        |
| Crimping speed    | 2,000 to 4,000 pcs. per Hour |               |

◆ Method of Using GT15B-SU, GT15B-CP, and GT15B-SC-K

|   |  |
|---|--|
| <p>1. Insert GT15B-SU into the shield sleeve and crimp with GT15B-CP.</p> |    |
| <p>2. Insert the wire of harnessed GT15B-3S into the shield sleeve.</p>   |    |
| <p>3. Push in until the stopper catches.</p>                              |  |
| <p>4. Push in GT15B-SC-K until the stopper catches.</p>                   |  |
| <p>5. Completion</p>  |  |