



3 Volt Advanced Boot Block Flash Memory

28F004/400B3, 28F008/800B3, 28F016/160B3, 28F320B3, 28F640B3

Preliminary Datasheet

Product Features

- Flexible SmartVoltage Technology
 - 2.7 V–3.6 V Read/Program/Erase
 - 12 V V_{PP} Fast Production Programming
- 2.7 V or 1.65 V I/O Option
 - Reduces Overall System Power
- High Performance
 - 2.7 V–3.6 V: 70 ns Max Access Time
- Optimized Block Sizes
 - Eight 8-KB Blocks for Data, Top or Bottom Locations
 - Up to One Hundred Twenty-Seven 64-KB Blocks for Code
- Block Locking
 - V_{CC} -Level Control through WP#
- Low Power Consumption
 - 9 mA Typical Read Current
- Absolute Hardware-Protection
 - V_{PP} = GND Option
 - V_{CC} Lockout Voltage
- Extended Temperature Operation
 - -40 °C to +85 °C
- Automated Program and Block Erase
 - Status Registers
- Intel® Flash Data Integrator Software
 - Flash Memory Manager
 - System Interrupt Manager
 - Supports Parameter Storage, Streaming Data (e.g., Voice)
- Extended Cycling Capability
 - Minimum 100,000 Block Erase Cycles Guaranteed
- Automatic Power Savings Feature
 - Typical I_{CCS} after Bus Inactivity
- Standard Surface Mount Packaging
 - 48-Ball CSP Packages
 - 40- and 48-Lead TSOP Packages
- Density and Footprint Upgradeable for common package
 - 4-, 8-, 16-, 32- and 64-Mbit Densities
- ETOX™ VII (0.18 μ) Flash Technology
 - 28F160/320/640B3xC
 - 4-, 8-, 16-, and 32-Mbit also exist on ETOX™ V (0.4 μ) and/or ETOX™ VI (0.25 μ) Flash Technology
- x8 not recommended for new designs
- 4-Mbit density not recommended for new designs

The 3 Volt Advanced Boot Block flash memory, manufactured on Intel's latest 0.18 μ m technology, represents a feature-rich solution at overall lower system cost. The 3 Volt Advanced Boot Block flash memory products in x16 will be available in 48-lead TSOP and 48-ball CSP packages. The x8 option of this product family will only be available in 40-lead TSOP and 48-ball μ BGA* packages. Additional information on this product family can be obtained by accessing Intel's website at: <http://www.intel.com/design/flash>.

Notice: This document contains preliminary information on new products in production. The specifications are subject to change without notice. Verify with your local Intel sales office that you have the latest datasheet before finalizing a design.



Information in this document is provided in connection with Intel® products. No license, express or implied, by estoppel or otherwise, to any intellectual property rights is granted by this document. Except as provided in Intel's Terms and Conditions of Sale for such products, Intel assumes no liability whatsoever, and Intel disclaims any express or implied warranty, relating to sale and/or use of Intel products including liability or warranties relating to fitness for a particular purpose, merchantability, or infringement of any patent, copyright or other intellectual property right. Intel products are not intended for use in medical, life saving, or life sustaining applications.

Intel may make changes to specifications and product descriptions at any time, without notice.

Designers must not rely on the absence or characteristics of any features or instructions marked "reserved" or "undefined." Intel reserves these for future definition and shall have no responsibility whatsoever for conflicts or incompatibilities arising from future changes to them.

The 28F004/400B3, 28F008/800B3, 28F016/160B3, 28F320B3, 28F640B3 may contain design defects or errors known as errata which may cause the product to deviate from published specifications. Current characterized errata are available on request.

Contact your local Intel sales office or your distributor to obtain the latest specifications and before placing your product order.

Copies of documents which have an ordering number and are referenced in this document, or other Intel literature may be obtained by calling 1-800-548-4725 or by visiting Intel's website at <http://www.intel.com>.

Copyright © Intel Corporation 1999–2000.

*Other brands and names are the property of their respective owners.

Preliminary

Contents

| | | |
|------------|---|----|
| 1.0 | Introduction | 1 |
| 1.1 | Product Overview | 2 |
| 2.0 | Product Description | 3 |
| 2.1 | Package Pinouts | 3 |
| 2.2 | Block Organization | 7 |
| 2.2.1 | Parameter Blocks | 7 |
| 2.2.2 | Main Blocks | 7 |
| 3.0 | Principles of Operation | 7 |
| 3.1 | Bus Operation | 7 |
| 3.1.1 | Read | 8 |
| 3.1.2 | Output Disable | 8 |
| 3.1.3 | Standby | 8 |
| 3.1.4 | Deep Power-Down / Reset | 8 |
| 3.1.5 | Write | 9 |
| 3.2 | Modes of Operation | 9 |
| 3.2.1 | Read Array | 9 |
| 3.2.2 | Read Identifier | 11 |
| 3.2.3 | Read Status Register | 11 |
| 3.2.4 | Program Mode | 12 |
| 3.2.5 | Erase Mode | 12 |
| 3.3 | Block Locking | 14 |
| 3.3.1 | WP# = V_{IL} for Block Locking | 14 |
| 3.3.2 | WP# = V_{IH} for Block Unlocking | 15 |
| 3.4 | V_{PP} Program and Erase Voltages | 15 |
| 3.4.1 | $V_{PP} = V_{IL}$ for Complete Protection | 15 |
| 3.5 | Power Consumption | 15 |
| 3.5.1 | Active Power | 16 |
| 3.5.2 | Automatic Power Savings (APS) | 16 |
| 3.5.3 | Standby Power | 16 |
| 3.5.4 | Deep Power-Down Mode | 16 |
| 3.6 | Power-Up/Down Operation | 16 |
| 3.6.1 | RP# Connected to System Reset | 17 |
| 3.6.2 | V_{CC} , V_{PP} and RP# Transitions | 17 |
| 3.7 | Power Supply Decoupling | 17 |
| 4.0 | Electrical Specifications | 18 |
| 4.1 | Absolute Maximum Ratings | 18 |
| 4.2 | Operating Conditions | 19 |
| 4.3 | Capacitance | 19 |
| 4.4 | DC Characteristics | 20 |
| 4.5 | AC Characteristics —Read Operations | 23 |
| 4.6 | AC Characteristics —Write Operations | 27 |
| 4.7 | Program and Erase Timings | 31 |



| | | |
|-------------------|--|-----------|
| 5.0 | Reset Operations | 33 |
| 6.0 | Ordering Information | 34 |
| 7.0 | Additional Information | 36 |
| Appendix A | Write State Machine Current/Next States | 37 |
| Appendix B | Architecture Block Diagram | 38 |
| Appendix C | Word-Wide Memory Map Diagrams..... | 39 |
| Appendix D | Byte-Wide Memory Map Diagrams | 45 |
| Appendix E | Program and Erase Flowcharts | 48 |

Revision History

| Number | Description |
|--------|---|
| -001 | Original version |
| -002 | <p>Section 3.4, <i>V_{PP} Program and Erase Voltages</i>, added</p> <p>Updated Figure 9: <i>Automated Block Erase Flowchart</i></p> <p>Updated Figure 10: <i>Erase Suspend/Resume Flowchart</i> (added program to table)</p> <p>Updated Figure 16: <i>AC Waveform: Program and Erase Operations</i> (updated notes)</p> <p><i>I_{PPR}</i> maximum specification change from $\pm 25 \mu\text{A}$ to $\pm 50 \mu\text{A}$</p> <p>Program and Erase Suspend Latency specification change</p> <p>Updated Appendix A: <i>Ordering Information</i> (included 8 M and 4 M information)</p> <p>Updated Figure, Appendix D: <i>Architecture Block Diagram</i> (Block info. in words not bytes)</p> <p>Minor wording changes</p> |
| -003 | <p>Combined byte-wide specification (previously 290605) with this document</p> <p>Improved speed specification to 80 ns (3.0 V) and 90 ns (2.7 V)</p> <p>Improved 1.8 V I/O option to minimum 1.65 V (Section 3.4)</p> <p>Improved several DC characteristics (Section 4.4)</p> <p>Improved several AC characteristics (Sections 4.5 and 4.6)</p> <p>Combined 2.7 V and 1.8 V DC characteristics (Section 4.4)</p> <p>Added 5 V <i>V_{PP}</i> read specification (Section 3.4)</p> <p>Removed 120 ns and 150 ns speed offerings</p> <p>Moved <i>Ordering Information</i> from Appendix to Section 6.0; updated information</p> <p>Moved <i>Additional Information</i> from Appendix to Section 7.0</p> <p>Updated figure Appendix B, <i>Access Time vs. Capacitive Load</i></p> <p>Updated figure Appendix C, <i>Architecture Block Diagram</i></p> <p>Moved Program and Erase Flowcharts to Appendix E</p> <p>Updated <i>Program Flowchart</i></p> <p>Updated <i>Program Suspend/Resume Flowchart</i></p> <p>Minor text edits throughout</p> |
| -004 | <p>Added 32-Mbit density</p> <p>Added 98H as a reserved command (Table 4)</p> <p>$A_1-A_{20} = 0$ when in read identifier mode (Section 3.2.2)</p> <p>Status register clarification for SR3 (Table 7)</p> <p><i>V_{CC}</i> and <i>V_{CCQ}</i> absolute maximum specification = 3.7 V (Section 4.1)</p> <p>Combined <i>I_{PPW}</i> and <i>I_{CCW}</i> into one specification (Section 4.4)</p> <p>Combined <i>I_{PPe}</i> and <i>I_{CCE}</i> into one specification (Section 4.4)</p> <p>Max Parameter Block Erase Time (t_{WHQV2}/t_{EHQV2}) reduced to 4 sec (Section 4.7)</p> <p>Max Main Block Erase Time (t_{WHQV3}/t_{EHQV3}) reduced to 5 sec (Section 4.7)</p> <p>Erase suspend time @ 12 V (t_{WHRH2}/t_{EHRH2}) changed to 5 μs typical and 20 μs maximum (Section 4.7)</p> <p><i>Ordering Information</i> updated (Section 6.0)</p> <p>Write State Machine Current/Next States Table updated (Appendix A)</p> <p>Program Suspend/Resume Flowchart updated (Appendix F)</p> <p>Erase Suspend/Resume Flowchart updated (Appendix F)</p> <p>Text clarifications throughout</p> |
| -005 | <p>μBGA package diagrams corrected (Figures 3 and 4)</p> <p><i>I_{PPD}</i> test conditions corrected (Section 4.4)</p> <p>32-Mbit ordering information corrected (Section 6)</p> <p>μBGA package top side mark information added (Section 6)</p> |
| -006 | <p><i>V_{IH}</i> and <i>V_{IL}</i> Specification change (Section 4.4)</p> <p><i>I_{CCS}</i> test conditions clarification (Section 4.4)</p> <p>Added Command Sequence Error Note (Table 7)</p> <p>Datasheet renamed from <i>Smart 3 Advanced Boot Block 4-Mbit, 8-Mbit, 16-Mbit Flash Memory Family</i>.</p> <p>Added device ID information for 4-Mbit x8 device</p> <p>Removed 32-Mbit x8 to reflect product offerings</p> <p>Minor text changes</p> |
| -007 | <p>Corrected RP# pin description in Table 2, <i>3 Volt Advanced Boot Block Pin Descriptions</i></p> <p>Corrected typographical error fixed in <i>Ordering Information</i></p> |



| Number | Description |
|--------|--|
| -008 | 4-Mbit packaging and addressing information corrected throughout document |
| -009 | Corrected 4-Mbit memory addressing tables in Appendices D and E |
| -010 | Max I _{CCD} changed to 25 μ A V _{CCMax} on 32 M (28F320B3) changed to 3.3 V |
| -011 | Added 64-Mbit density and faster speed offerings Removed access time vs. capacitance load curve |
| -012 | Changed references of 32Mbit 80ns devices to 70ns devices to reflect the faster product offering. Changed V _{ccMax} =3.3V reference to indicate the affected product is the 0.25 μ m 32Mbit device. Minor text edits throughout document. |

1.0 Introduction

This datasheet contains the specifications for the 3 Volt Advanced Boot Block flash memory family, which is optimized for low power, portable systems. This family of products features 1.65 V–2.5 V or 2.7 V–3.6 V I/Os and a low V_{CC}/V_{PP} operating range of 2.7 V–3.6 V for read, program, and erase operations. In addition this family is capable of fast programming at 12 V. Throughout this document, the term “2.7 V” refers to the full voltage range 2.7 V–3.6 V (except where noted otherwise) and “ $V_{PP} = 12 V$ ” refers to 12 V $\pm 5\%$. Section 1.0 and 2.0 provide an overview of the flash memory family including applications, pinouts and pin descriptions. Section 3.0 describes the memory organization and operation for these products. Sections 4.0 and 5.0 contain the operating specifications. Finally, Sections 6.0 and 7.0 provide ordering and other reference information.

The 3 Volt Advanced Boot Block flash memory features:

- Enhanced blocking for easy segmentation of code and data or additional design flexibility
- Program Suspend to Read command
- V_{CCQ} input of 1.65 V–2.5 V on all I/Os. See Figures 1 through 4 for pinout diagrams and V_{CCQ} location
- Maximum program and erase time specification for improved data storage.

Table 1. 3 Volt Advanced Boot Block Feature Summary

| Feature | 28F004B3 ⁽²⁾ , 28F008B3, 28F016B3 | 28F400B3 ⁽²⁾ , 28F800B3, 28F160B3, 28F320B3 ⁽³⁾ , 28F640B3 | Reference |
|--------------------------------|---|--|-----------------------------|
| V_{CC} Read Voltage | 2.7 V– 3.6 V | | Section 4.2, Section 4.4 |
| V_{CCQ} I/O Voltage | 1.65 V–2.5 V or 2.7 V– 3.6 V | | Section 4.2, 4.4 |
| V_{PP} Program/Erase Voltage | 2.7 V– 3.6 V or 11.4 V– 12.6 V | | Section 4.2, 4.4 |
| Bus Width | 8 bit | 16 bit | Table 3 |
| Speed | 70 ns, 80 ns, 90 ns, 100 ns, 110 ns | | Section 4.5 |
| Memory Arrangement | 512 Kbit x 8 (4 Mbit), 1024 Kbit x 8 (8 Mbit), 2048 Kbit x 8 (16 Mbit) | 256 Kbit x 16 (4 Mbit), 512 Kbit x 16 (8 Mbit), 1024 Kbit x 16 (16 Mbit), 2048 Kbit x 16 (32 Mbit), 4096 Kbit x 16 (64 Mbit) | Section 2.2 |
| Blocking (top or bottom) | Eight 8-Kbyte parameter blocks and Seven 64-Kbyte blocks (4 Mbit) or Fifteen 64-Kbyte blocks (8 Mbit) or Thirty-one 64-Kbyte main blocks (16 Mbit) Sixty-three 64-Kbyte main blocks (32 Mbit) One hundred twenty-seven 64-Kbyte main blocks (64 Mbit) | | Section 2.2 Appendix C |
| Locking | $WP\#$ locks/unlocks parameter blocks All other blocks protected using V_{PP} | | Section 3.3 Table 8 |
| Operating Temperature | Extended: –40 °C to +85 °C | | Section 4.2, 4.4 |
| Program/Erase Cycling | 100,000 cycles | | Section 4.2, 4.4 |
| Packages | 40-lead TSOP ⁽¹⁾ , 48-Ball μ BGA* CSP ⁽²⁾ | 48-Lead TSOP, 48-Ball μ BGA CSP ⁽²⁾ , 48-Ball VF BGA ⁽⁴⁾ | Figure 3, Figure 4 |

NOTES:

1. 32-Mbit and 64-Mbit densities not available in 40-lead TSOP.
2. 4-Mbit density not available in μ BGA* CSP.
3. V_{CCMax} is 3.3 V on 0.25 μ m 32-Mbit devices.
4. 4- and 64-Mbit densities not available on 48-Ball VF BGA.

1.1 Product Overview

Intel provides the most flexible voltage solution in the flash industry, providing three discrete voltage supply pins: V_{CC} for read operation, V_{CCQ} for output swing, and V_{PP} for program and erase operation. All 3 Volt Advanced Boot Block flash memory products provide program/erase capability at 2.7 V or 12 V (for fast production programming) and read with V_{CC} at 2.7 V. Since many designs read from the flash memory a large percentage of the time, 2.7 V V_{CC} operation can provide substantial power savings.

The 3 Volt Advanced Boot Block flash memory products are available in either x8 or x16 packages in the following densities: (see [Section 6.0, “Ordering Information” on page 34](#) for availability.)

- 4-Mbit (4,194,304-bit) flash memory organized as 256 Kwords of 16 bits each or 512 Kbytes of 8-bits each
- 8-Mbit (8,388,608-bit) flash memory organized as 512 Kwords of 16 bits each or 1024 Kbytes of 8-bits each
- 16-Mbit (16,777,216-bit) flash memory organized as 1024 Kwords of 16 bits each or 2048 Kbytes of 8-bits each
- 32-Mbit (33,554,432-bit) flash memory organized as 2048 Kwords of 16 bits each
- 64-Mbit (67,108,864-bit) flash memory organized as 4096 Kwords of 16 bits each

The parameter blocks are located at either the top (denoted by -T suffix) or the bottom (-B suffix) of the address map in order to accommodate different microprocessor protocols for kernel code location. The upper two (or lower two) parameter blocks can be locked to provide complete code security for system initialization code. Locking and unlocking is controlled by WP# (see [Section 3.3, “Block Locking” on page 14](#) for details).

The Command User Interface (CUI) serves as the interface between the microprocessor or microcontroller and the internal operation of the flash memory. The internal Write State Machine (WSM) automatically executes the algorithms and timings necessary for program and erase operations, including verification, thereby un-burdening the microprocessor or microcontroller. The status register indicates the status of the WSM by signifying block erase or word program completion and status.

The 3 Volt Advanced Boot Block flash memory is also designed with an Automatic Power Savings (APS) feature which minimizes system current drain, allowing for very low power designs. This mode is entered following the completion of a read cycle (approximately 300 ns later).

The RP# pin provides additional protection against unwanted command writes that may occur during system reset and power-up/down sequences due to invalid system bus conditions (see [Section 3.6, “Power-Up/Down Operation” on page 16](#)).

[Section 3.0, “Principles of Operation” on page 7](#) gives detailed explanation of the different modes of operation. Complete current and voltage specifications can be found in [Section 4.4, “DC Characteristics” on page 20](#). Refer to [Section 4.5, “AC Characteristics —Read Operations” on page 23](#) for read, program and erase performance specifications.

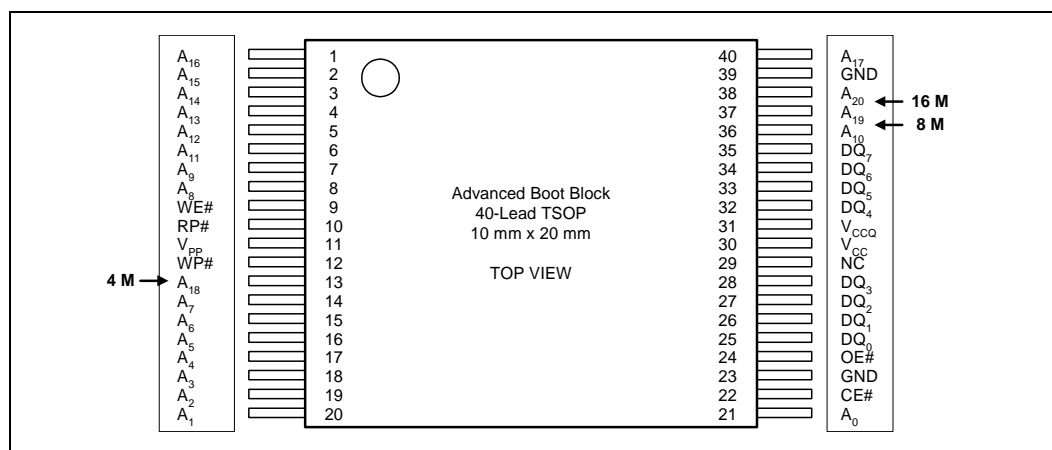
2.0 Product Description

This section explains device pin description and package pinouts.

2.1 Package Pinouts

The 3 Volt Advanced Boot Block flash memory is available in 40-lead TSOP (x8, [Figure 1](#)), 48-lead TSOP (x16, [Figure 2](#)) and 48-ball μ BGA(x8 and x16, [Figure 3](#) and [Figure 4](#), respectively) and 48-ball VF BGA (x16, [Figure 4](#)) packages. In all figures, pin changes necessary for density upgrades have been circled.

Figure 1. 40-Lead TSOP Package for x8 Configurations

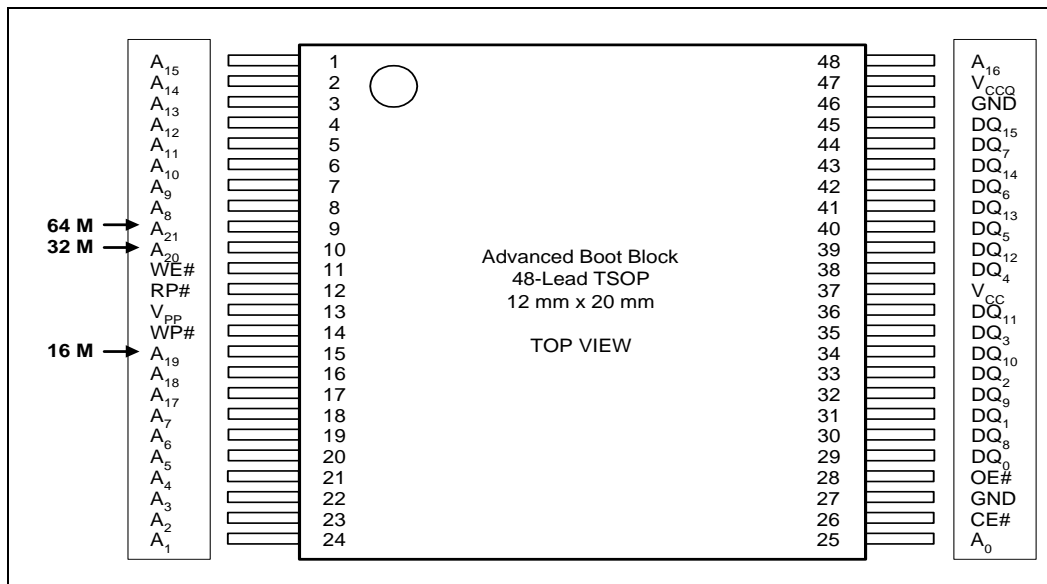


0580_01

NOTES:

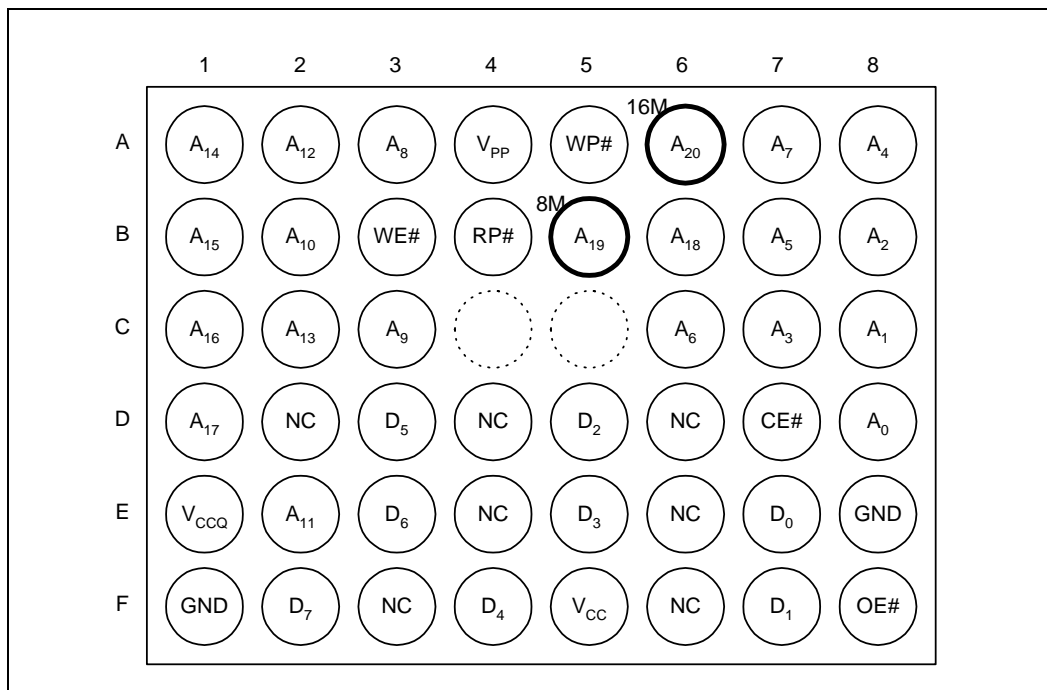
1. 40-Lead TSOP available for 8- and 16-Mbit densities.
2. Lower densities will have NC on the upper address pins. For example, an 8-Mbit device will have NC on Pin 38.

Figure 2. 48-Lead TSOP Package for x16 Configurations



NOTE: Lower densities will have NC on the upper address pins. For example, an 16-Mbit device will have NC on Pins 9 and 10. 0580_02

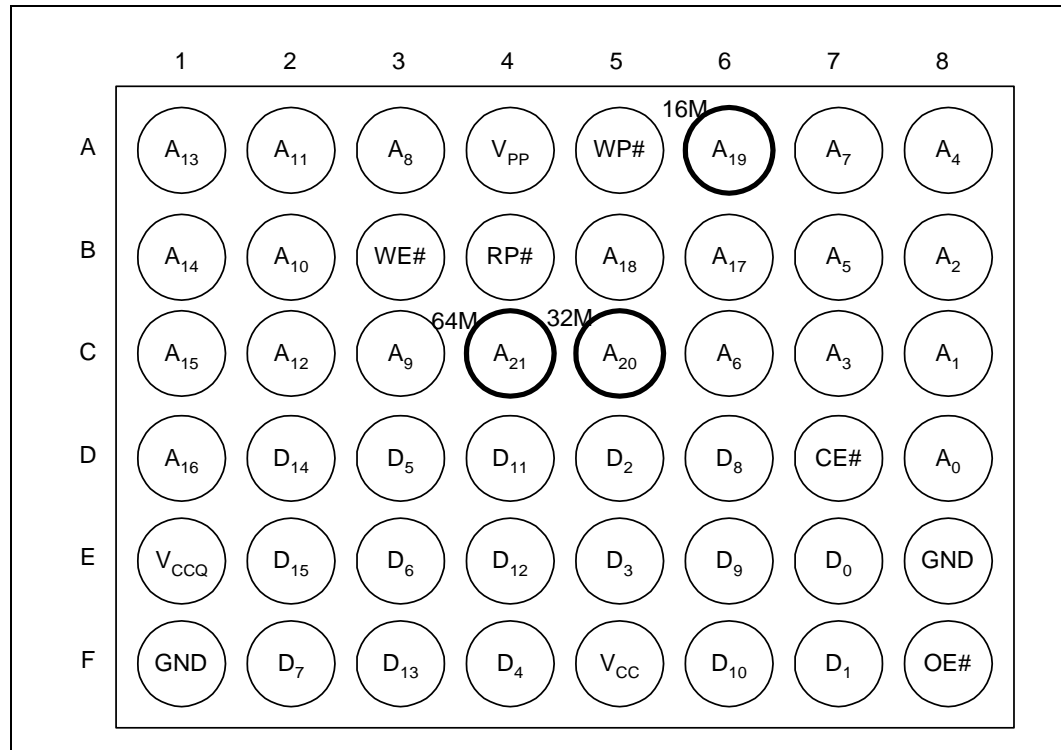
Figure 3. x8 48-Ball μ BGA* Chip Size Package (Top View, Ball Down)



NOTES: 0580_04

- Shaded connections indicate the upgrade address connections. Lower density devices will not have the upper address solder balls. Routing is not recommended in this area. A₂₀ is the upgrade address for the 16-Mbit device.
- 4-Mbit density not available in μ BGA* CSP.

Figure 4. x16 48-Ball Very Thin Profile Pitch BGA and μ BGA* Chip Size Package (Top View, Ball Down)



0580_03

NOTES:

1. Shaded connections indicate the upgrade address connections. Lower density devices will not have the upper address solder balls. Routing is not recommended in this area. A₁₉ is the upgrade address for the 16-Mbit device. A₂₀ is the upgrade address for the 32-Mbit device. A₂₁ is the upgrade address for the 64-Mbit device.
2. 4-Mbit density not available in μ BGA CSP.

Table 2, “3 Volt Advanced Boot Block Pin Descriptions” on page 6 details the usage of each device pin.

Table 2. 3 Volt Advanced Boot Block Pin Descriptions

| Symbol | Type | Name and Function |
|---------------------------------------|------------------|--|
| A ₀ –A ₂₁ | INPUT | ADDRESS INPUTS for memory addresses. Addresses are internally latched during a program or erase cycle. 28F004B3: A[0-18], 28F008B3: A[0-19], 28F016B3: A[0-20], 28F400B3: A[0-17], 28F800B3: A[0-18], 28F160B3: A[0-19], 28F320B3: A[0-20], 28F640B3: A[0-21] |
| DQ ₀ –DQ ₇ | INPUT/ OUTPUT | DATA INPUTS/OUTPUTS: Inputs array data on the second CE# and WE# cycle during a Program command. Inputs commands to the Command User Interface when CE# and WE# are active. Data is internally latched. Outputs array, identifier and status register data. The data pins float to tri-state when the chip is de-selected or the outputs are disabled. |
| DQ ₈ – DQ ₁₅ | INPUT/ OUTPUT | DATA INPUTS/OUTPUTS: Inputs array data on the second CE# and WE# cycle during a Program command. Data is internally latched. Outputs array and identifier data. The data pins float to tri-state when the chip is de-selected. Not included on x8 products. |
| CE# | INPUT | CHIP ENABLE: Activates the internal control logic, input buffers, decoders and sense amplifiers. CE# is active low. CE# high de-selects the memory device and reduces power consumption to standby levels. |
| OE# | INPUT | OUTPUT ENABLE: Enables the device's outputs through the data buffers during a read operation. OE# is active low. |
| WE# | INPUT | WRITE ENABLE: Controls writes to the Command Register and memory array. WE# is active low. Addresses and data are latched on the rising edge of the second WE# pulse. |
| RP# | INPUT | RESET/DEEP POWER-DOWN: Uses two voltage levels (V _{IL} , V _{IH}) to control reset/deep power-down mode. When RP# is at logic low, the device is in reset/deep power-down mode , which drives the outputs to High-Z, resets the Write State Machine, and minimizes current levels (I _{CCD}). When RP# is at logic high, the device is in standard operation. When RP# transitions from logic-low to logic-high, the device defaults to the read array mode. |
| WP# | INPUT | WRITE PROTECT: Provides a method for locking and unlocking the two lockable parameter blocks. When WP# is at logic low, the lockable blocks are locked , preventing program and erase operations to those blocks. If a program or erase operation is attempted on a locked block, SR.1 and either SR.4 [program] or SR.5 [erase] will be set to indicate the operation failed. When WP# is at logic high, the lockable blocks are unlocked and can be programmed or erased. See Section 3.3 for details on write protection. |
| V _{CCQ} | INPUT | OUTPUT V_{CC}: Enables all outputs to be driven to 1.8 V – 2.5 V while the V _{CC} is at 2.7 V–3.3 V. If the V _{CC} is regulated to 2.7 V–2.85 V, V _{CCQ} can be driven at 1.65 V–2.5 V to achieve lowest power operation (see Section 4.4). This input may be tied directly to V _{CC} (2.7 V–3.6 V). |
| V _{CC} | | DEVICE POWER SUPPLY: 2.7 V–3.6 V |
| V _{PP} | | PROGRAM/ERASE POWER SUPPLY: Supplies power for program and erase operations. V _{PP} may be the same as V _{CC} (2.7 V–3.6 V) for single supply voltage operation. For fast programming at manufacturing, 11.4 V–12.6 V may be supplied to V _{PP} . This pin cannot be left floating. Applying 11.4 V–12.6 V to V _{PP} can only be done for a maximum of 1000 cycles on the main blocks and 2500 cycles on the parameter blocks. V _{PP} may be connected to 12 V for a total of 80 hours maximum (see Section 3.4 for details). V _{PP} < V _{PPK} protects memory contents against inadvertent or unintended program and erase commands. |
| GND | | GROUND: For all internal circuitry. All ground inputs must be connected. |
| NC | | NO CONNECT: Pin may be driven or left floating. |

2.2 Block Organization

The 3 Volt Advanced Boot Block is an asymmetrically-blocked architecture that enables system integration of code and data within a single flash device. Each block can be erased independently of the others up to 100,000 times. For the address locations of each block, see the memory maps in [Appendix C](#).

2.2.1 Parameter Blocks

The 3 Volt Advanced Boot Block flash memory architecture includes parameter blocks to facilitate storage of frequently updated small parameters (e.g., data that would normally be stored in an EEPROM). By using software techniques, the word-rewrite functionality of EEPROMs can be emulated. Each device contains eight parameter blocks of 8-Kbytes/4-Kwords (8192 bytes/4,096 words) each.

2.2.2 Main Blocks

After the parameter blocks, the remainder of the array is divided into equal size main blocks (65,536 bytes/32,768 words) for data or code storage. The 4-Mbit device contains seven main blocks; 8-Mbit device contains fifteen main blocks; 16-Mbit flash has thirty-one main blocks; 32-Mbit has sixty-three main blocks; 64-Mbit has one hundred twenty-seven main blocks.

3.0 Principles of Operation

Flash memory combines EEPROM functionality with in-circuit electrical program and erase capability. The 3 Volt Advanced Boot Block flash memory family utilizes a Command User Interface (CUI) and automated algorithms to simplify program and erase operations. The CUI allows for 100% CMOS-level control inputs and fixed power supplies during erasure and programming.

When $V_{PP} < V_{PPLK}$, the device will only execute the following commands successfully: Read Array, Read Status Register, Clear Status Register and Read Identifier. The device provides standard EEPROM read, standby and output disable operations. Manufacturer identification and device identification data can be accessed through the CUI. All functions associated with altering memory contents, namely program and erase, are accessible via the CUI. The internal Write State Machine (WSM) completely automates program and erase operations while the CUI signals the start of an operation and the status register reports status. The CUI handles the WE# interface to the data and address latches, as well as system status requests during WSM operation.

3.1 Bus Operation

3 Volt Advanced Boot Block flash memory devices read, program and erase in-system via the local CPU or microcontroller. All bus cycles to or from the flash memory conform to standard microcontroller bus cycles. Four control pins dictate the data flow in and out of the flash component: CE#, OE#, WE# and RP#. These bus operations are summarized in [Table 3](#).

Table 3. Bus Operations⁽¹⁾

| Mode | Note | RP# | CE# | OE# | WE# | DQ ₀₋₇ | DQ ₈₋₁₅ |
|-------------------------------------|--------|-----------------|-----------------|-----------------|-----------------|-------------------|--------------------|
| Read (Array, Status, or Identifier) | 2–4 | V _{IH} | V _{IL} | V _{IL} | V _{IH} | D _{OUT} | D _{OUT} |
| Output Disable | 2 | V _{IH} | V _{IL} | V _{IH} | V _{IH} | High Z | High Z |
| Standby | 2 | V _{IH} | V _{IH} | X | X | High Z | High Z |
| Reset | 2, 7 | V _{IL} | X | X | X | High Z | High Z |
| Write | 2, 5–7 | V _{IH} | V _{IL} | V _{IH} | V _{IL} | D _{IN} | D _{IN} |

NOTES:

- 8-bit devices use only DQ[0:7], 16-bit devices use DQ[0:15].
- X must be V_{IL}, V_{IH} for control pins and addresses.
- See *DC Characteristics* for V_{PPK}, V_{PP1}, V_{PP2}, V_{PP3}, V_{PP4} voltages.
- Manufacturer and device codes may also be accessed in read identifier mode (A₁–A₂₁ = 0). See Table 5.
- Refer to Table 6 for valid D_{IN} during a write operation.
- To program or erase the lockable blocks, hold WP# at V_{IH}.
- RP# must be at GND ± 0.2 V to meet the maximum deep power-down current specified.

3.1.1 Read

The flash memory has four read modes available: read array, read identifier, read status and read query. These modes are accessible independent of the V_{PP} voltage. The appropriate Read Mode command must be issued to the CUI to enter the corresponding mode. Upon initial device power-up or after exit from reset, the device automatically defaults to read array mode.

CE# and OE# must be driven active to obtain data at the outputs. CE# is the device selection control; when active it enables the flash memory device. OE# is the data output control and it drives the selected memory data onto the I/O bus. For all read modes, WE# and RP# must be at V_{IH}. Figure 7 illustrates a read cycle.

3.1.2 Output Disable

With OE# at a logic-high level (V_{IH}), the device outputs are disabled. Output pins are placed in a high-impedance state.

3.1.3 Standby

Deselecting the device by bringing CE# to a logic-high level (V_{IH}) places the device in standby mode, which substantially reduces device power consumption without any latency for subsequent read accesses. In standby, outputs are placed in a high-impedance state independent of OE#. If deselected during program or erase operation, the device continues to consume active power until the program or erase operation is complete.

3.1.4 Deep Power-Down / Reset

From read mode, RP# at V_{IL} for time t_{PLPH} deselects the memory, places output drivers in a high-impedance state, and turns off all internal circuits. After return from reset, a time t_{PHQV} is required until the initial read access outputs are valid. A delay (t_{PHWL} or t_{PHL}) is required after return from reset before a write can be initiated. After this wake-up interval, normal operation is restored. The CUI resets to read array mode, and the status register is set to 80H. This case is shown in Figure 9A.

If RP# is taken low for time t_{PLPH} during a program or erase operation, the operation will be aborted and the memory contents at the aborted location (for a program) or block (for an erase) are no longer valid, since the data may be partially erased or written. The abort process goes through the following sequence: When RP# goes low, the device shuts down the operation in progress, a process which takes time t_{PLRH} to complete. After this time t_{PLRH} , the part will either reset to read array mode (if RP# has gone high during t_{PLRH} , [Figure 9B](#)) or enter reset mode (if RP# is still logic low after t_{PLRH} , [Figure 9C](#)). In both cases, after returning from an aborted operation, the relevant time t_{PHQV} or t_{PHWL}/t_{PHEL} must be waited before a read or write operation is initiated, as discussed in the previous paragraph. However, in this case, these delays are referenced to the end of t_{PLRH} rather than when RP# goes high.

As with any automated device, it is important to assert RP# during system reset. When the system comes out of reset, processor expects to read from the flash memory. Automated flash memories provide status information when read during program or block erase operations. If a CPU reset occurs with no flash memory reset, proper CPU initialization may not occur because the flash memory may be providing status information instead of array data. Intel® Flash memories allow proper CPU initialization following a system reset through the use of the RP# input. In this application, RP# is controlled by the same RESET# signal that resets the system CPU.

3.1.5 Write

A write takes place when both CE# and WE# are low and OE# is high. Commands are written to the Command User Interface (CUI) using standard microprocessor write timings to control flash operations. The CUI does not occupy an addressable memory location. The address and data buses are latched on the rising edge of the second WE# or CE# pulse, whichever occurs first. [Figure 8](#) illustrates a program and erase operation. The available commands are shown in [Table 6](#), and [Appendix A](#) provides detailed information on moving between the different modes of operation using CUI commands.

There are two commands that modify array data: Program (40H) and Erase (20H). Writing either of these commands to the internal Command User Interface (CUI) initiates a sequence of internally-timed functions that culminate in the completion of the requested task (unless that operation is aborted by either RP# being driven to V_{IL} for t_{PLRH} or an appropriate suspend command).

3.2 Modes of Operation

The flash memory has four read modes and two write modes. The read modes are read array, read identifier, read status and read query (see [Appendix B](#)). The write modes are program and block erase. Three additional modes (erase suspend to program, erase suspend to read and program suspend to read) are available only during suspended operations. These modes are reached using the commands summarized in [Table 4](#). A comprehensive chart showing the state transitions is in [Appendix A](#).

3.2.1 Read Array

When RP# transitions from V_{IL} (reset) to V_{IH} , the device defaults to read array mode and will respond to the read control inputs (CE#, address inputs, and OE#) without any additional CUI commands.

When the device is in read array mode, four control signals control data output:

- WE# must be logic high (V_{IH})
- CE# must be logic low (V_{IL})
- OE# must be logic low (V_{IL})
- RP# must be logic high (V_{IH})

In addition, the address of the desired location must be applied to the address pins. If the device is not in read array mode, as would be the case after a program or erase operation, the Read Array command (FFH) must be written to the CUI before array reads can take place.

Table 4. Command Codes and Descriptions

| Code | Device Mode | Description |
|------------------------|---|--|
| 00, 01, 60, 2F, C0, 98 | Invalid/Reserved | Unassigned commands that should not be used. Intel reserves the right to redefine these codes for future functions. |
| FF | Read Array | Places the device in read array mode, such that array data will be output on the data pins. |
| 40 | Program Set-Up | This is a two-cycle command. The first cycle prepares the CUI for a program operation. The second cycle latches addresses and data information and initiates the WSM to execute the Program algorithm. The flash outputs status register data when CE# or OE# is toggled. A Read Array command is required after programming to read array data. See Section 3.2.4 . |
| 10 | Alternate Program Set-Up | (See 40H/Program Set-Up) |
| 20 | Erase Set-Up | Prepares the CUI for the Erase Confirm command. If the next command is not an Erase Confirm command, then the CUI will (a) set both SR.4 and SR.5 of the status register to a "1," (b) place the device into the read status register mode, and (c) wait for another command. See Section 3.2.5 . |
| D0 | Erase Confirm Program / Erase Resume | If the previous command was an Erase Set-Up command, then the CUI will close the address and data latches, and begin erasing the block indicated on the address pins. During erase, the device will only respond to the Read Status Register and Erase Suspend commands. The device will output status register data when CE# or OE# is toggled. If a program or erase operation was previously suspended, this command will resume that operation |
| B0 | Program / Erase Suspend | Issuing this command will begin to suspend the currently executing program/erase operation. The status register will indicate when the operation has been successfully suspended by setting either the program suspend (SR.2) or erase suspend (SR.6) and the WSM status bit (SR.7) to a "1" (ready). The WSM will continue to idle in the SUSPEND state, regardless of the state of all input control pins except RP#, which will immediately shut down the WSM and the remainder of the chip if it is driven to V_{IL} . See Section 3.2.4.1 and Section 3.2.4.1 . |
| 70 | Read Status Register | This command places the device into read status register mode. Reading the device will output the contents of the status register, regardless of the address presented to the device. The device automatically enters this mode after a program or erase operation has been initiated. See Section 3.2.3 . |
| 50 | Clear Status Register | The WSM can set the block lock status (SR.1) , V_{PP} status (SR.3), program status (SR.4), and erase status (SR.5) bits in the status register to "1," but it cannot clear them to "0." Issuing this command clears those bits to "0." |
| 90 | Read Identifier | Puts the device into the intelligent identifier read mode, so that reading the device will output the manufacturer and device codes ($A_0 = 0$ for manufacturer, $A_0 = 1$ for device, all other address inputs must be 0). See Section 3.2.2 . |

NOTE: See [Appendix A](#) for mode transition information.

3.2.2 Read Identifier

To read the manufacturer and device codes, the device must be in read identifier mode, which can be reached by writing the Read Identifier command (90H). Once in read identifier mode, $A_0 = 0$ outputs the manufacturer's identification code and $A_0 = 1$ outputs the device identifier (see Table 5) Note: $A_1-A_{21} = 0$. To return to read array mode, write the Read Array command (FFH).

Table 5. Read Identifier Table

| Size | Mfr. ID | Device Identifier | |
|----------|---------|-------------------|---------------------|
| | | -T (Top Boot) | -B (Bottom Boot) |
| 28F004B3 | 0089H | D4H | D5H |
| 28F400B3 | | 8894H | 8895H |
| 28F008B3 | 0089H | D2H | D3H |
| 28F800B3 | | 8892H | 8893H |
| 28F016B3 | | D0H | D1H |
| 28F160B3 | 0089H | 8890H | 8891H |
| 28F320B3 | | 8896H | 8897H |
| 28F640B3 | | 8898H | 8899H |

3.2.3 Read Status Register

The device status register indicates when a program or erase operation is complete and the success or failure of that operation. To read the status register issue the Read Status Register (70H) command to the CUI. This causes all subsequent read operations to output data from the status register until another command is written to the CUI. To return to reading from the array, issue the Read Array (FFH) command.

The status register bits are output on DQ_0-DQ_7 . The upper byte, DQ_8-DQ_{15} , outputs 00H during a Read Status Register command.

The contents of the status register are latched on the falling edge of $OE\#$ or $CE\#$. This prevents possible bus errors which might occur if status register contents change while being read. $CE\#$ or $OE\#$ must be toggled with each subsequent status read, or the status register will not indicate completion of a program or erase operation.

When the WSM is active, SR.7 will indicate the status of the WSM; the remaining bits in the status register indicate whether or not the WSM was successful in performing the desired operation (see Table 7 on page 14).

3.2.3.1 Clearing the Status Register

The WSM sets status bits 1 through 7 to "1," and clears bits 2, 6 and 7 to "0," but cannot clear status bits 1 or 3 through 5 to "0." Because bits 1, 3, 4 and 5 indicate various error conditions, these bits can only be cleared through the Clear Status Register (50H) command. By allowing the system software to control the resetting of these bits, several operations may be performed (such as cumulatively programming several addresses or erasing multiple blocks in sequence) before

reading the status register to determine if an error occurred during that series. Clear the status register before beginning another command or sequence. Note, again, that the Read Array command must be issued before data can be read from the memory array.

3.2.4 Program Mode

Programming is executed using a two-write sequence. The Program Setup command (40H) is written to the CUI followed by a second write which specifies the address and data to be programmed. The WSM will execute a sequence of internally timed events to program desired bits of the addressed location, then verify the bits are sufficiently programmed. Programming the memory results in specific bits within an address location being changed to a “0.” If the user attempts to program “1”s, the memory cell contents do not change and no error occurs.

The status register indicates programming status: while the program sequence executes, status bit 7 is “0.” The status register can be polled by toggling either CE# or OE#. While programming, the only valid commands are Read Status Register, Program Suspend, and Program Resume.

When programming is complete, the Program Status bits should be checked. If the programming operation was unsuccessful, bit SR.4 of the status register is set to indicate a program failure. If SR.3 is set then V_{PP} was not within acceptable limits, and the WSM did not execute the program command. If SR.1 is set, a program operation was attempted on a locked block and the operation was aborted.

The status register should be cleared before attempting the next operation. Any CUI instruction can follow after programming is completed; however, to prevent inadvertent status register reads, be sure to reset the CUI to read array mode.

3.2.4.1 Suspending and Resuming Program

The Program Suspend halts the in-progress program operation to read data from another location of memory. Once the programming process starts, writing the Program Suspend command to the CUI requests that the WSM suspend the program sequence (at predetermined points in the program algorithm). The device continues to output status register data after the Program Suspend command is written. Polling status register bits SR.7 and SR.2 will determine when the program operation has been suspended (both will be set to “1”). t_{WHRH1}/t_{EHRH1} specify the program suspend latency.

A Read Array command can now be written to the CUI to read data from blocks other than that which is suspended. The only other valid commands while program is suspended, are Read Status Register, Read Identifier, and Program Resume. After the Program Resume command is written to the flash memory, the WSM will continue with the program process and status register bits SR.2 and SR.7 will automatically be cleared. After the Program Resume command is written, the device automatically outputs status register data when read (see [Appendix E](#) for *Program Suspend and Resume Flowchart*). V_{PP} must remain at the same V_{PP} level used for program while in program suspend mode. RP# must also remain at V_{IH} .

3.2.5 Erase Mode

To erase a block, write the Erase Set-up and Erase Confirm commands to the CUI, along with an address identifying the block to be erased. This address is latched internally when the Erase Confirm command is issued. Block erasure results in all bits within the block being set to “1.” Only one block can be erased at a time. The WSM will execute a sequence of internally-timed events to program all bits within the block to “0,” erase all bits within the block to “1,” then verify that all bits within the block are sufficiently erased. While the erase executes, status bit 7 is a “0.”

When the status register indicates that erasure is complete, check the erase status bit to verify that the erase operation was successful. If the erase operation was unsuccessful, SR.5 of the status register will be set to a “1,” indicating an erase failure. If V_{PP} was not within acceptable limits after the Erase Confirm command was issued, the WSM will not execute the erase sequence; instead, SR.5 of the status register is set to indicate an erase error, and SR.3 is set to a “1” to identify that V_{PP} supply voltage was not within acceptable limits.

After an erase operation, clear the status register (50H) before attempting the next operation. Any CUI instruction can follow after erasure is completed; however, to prevent inadvertent status register reads, it is advisable to place the flash in read array mode after the erase is complete.

3.2.5.1 Suspending and Resuming Erase

Since an erase operation requires on the order of seconds to complete, an Erase Suspend command is provided to allow erase-sequence interruption in order to read data from or program data to another block in memory. Once the erase sequence is started, writing the Erase Suspend command to the CUI requests that the WSM pause the erase sequence at a predetermined point in the erase algorithm. The status register will indicate if/when the erase operation has been suspended.

A Read Array/Program command can now be written to the CUI in order to read data from/program data to blocks other than the one currently suspended. The Program command can subsequently be suspended to read yet another array location. The only valid commands while erase is suspended are Erase Resume, Program, Read Array, Read Status Register, or Read Identifier. During erase suspend mode, the chip can be placed in a pseudo-standby mode by taking $CE\#$ to V_{IH} . This reduces active current consumption.

Erase Resume continues the erase sequence when $CE\# = V_{IL}$. As with the end of a standard erase operation, the status register must be read and cleared before the next instruction is issued.

Table 6. Command Bus Definitions (1,4)

| Command | Notes | First Bus Cycle | | | Second Bus Cycle | | |
|-----------------------|-------|-----------------|------|-----------|------------------|------|------|
| | | Oper | Addr | Data | Oper | Addr | Data |
| Read Array | | Write | X | FFH | | | |
| Read Identifier | 2 | Write | X | 90H | Read | IA | ID |
| Read Status Register | | Write | X | 70H | Read | X | SRD |
| Clear Status Register | | Write | X | 50H | | | |
| Program | 3 | Write | X | 40H / 10H | Write | PA | PD |
| Block Erase/Confirm | | Write | X | 20H | Write | BA | D0H |
| Program/Erase Suspend | | Write | X | B0H | | | |
| Program/Erase Resume | | Write | X | D0H | | | |

NOTES:

PA: Program Address PD: Program Data BA: Block Address
 IA: Identifier Address ID: Identifier Data SRD: Status Register Data

1. Bus operations are defined in Table 3.
2. Following the Intelligent Identifier command, two read operations access manufacturer and device codes. $A_0 = 0$ for manufacturer code, $A_0 = 1$ for device code. $A_1-A_{21} = 0$.
3. Either 40H or 10H command is valid although the standard is 40H.
4. When writing commands to the device, the upper data bus [DQ₈-DQ₁₅] should be either V_{IL} or V_{IH} , to minimize current draw.

Table 7. Status Register Bit Definition

| WSMS | ESS | ES | PS | VPPS | PSS | BLS | R |
|--|-----|----|----|--|-----|-----|---|
| 7 | 6 | 5 | 4 | 3 | 2 | 1 | 0 |
| NOTES: | | | | | | | |
| SR.7 = WRITE STATE MACHINE STATUS (WSMS) 1 = Ready 0 = Busy | | | | Check Write State Machine bit first to determine word program or block erase completion, before checking program or erase status bits. | | | |
| SR.6 = ERASE-SUSPEND STATUS (ESS) 1 = Erase Suspended 0 = Erase In Progress/Completed | | | | When erase suspend is issued, WSM halts execution and sets both WSMS and ESS bits to "1." ESS bit remains set at "1" until an Erase Resume command is issued. | | | |
| SR.5 = ERASE STATUS (ES) 1 = Error In Block Erasure 0 = Successful Block Erase | | | | When this bit is set to "1," WSM has applied the max. number of erase pulses to the block and is still unable to verify successful block erasure. | | | |
| SR.4 = PROGRAM STATUS (PS) 1 = Error in Word Program 0 = Successful Word Program | | | | When this bit is set to "1," WSM has attempted but failed to program a word. | | | |
| SR.3 = V _{PP} STATUS (VPPS) 1 = V _{PP} Low Detect, Operation Abort 0 = V _{PP} OK | | | | The V _{PP} status bit does not provide continuous indication of V _{PP} level. The WSM interrogates V _{PP} level only after the Program or Erase command sequences have been entered, and informs the system if V _{PP} has not been switched on. The V _{PP} is also checked before the operation is verified by the WSM. The V _{PP} status bit is not guaranteed to report accurate feedback between V _{PPLK} max and V _{PP1} min or between V _{PP1} max and V _{PP4} min. | | | |
| SR.2 = PROGRAM SUSPEND STATUS (PSS) 1 = Program Suspended 0 = Program in Progress/Completed | | | | When program suspend is issued, WSM halts execution and sets both WSMS and PSS bits to "1." PSS bit remains set to "1" until a Program Resume command is issued. | | | |
| SR.1 = BLOCK LOCK STATUS 1 = Program/Erase attempted on locked block; Operation aborted 0 = No operation to locked blocks | | | | If a program or erase operation is attempted to one of the locked blocks, this bit is set by the WSM. The operation specified is aborted and the device is returned to read status mode. | | | |
| SR.0 = RESERVED FOR FUTURE ENHANCEMENTS (R) | | | | This bit is reserved for future use and should be masked out when polling the status register. | | | |

NOTE: A Command Sequence Error is indicated when both SR.4, SR.5 and SR.7 are set.

3.3 Block Locking

The 3 Volt Advanced Boot Block flash memory architecture features two hardware-lockable parameter blocks.

3.3.1 WP# = V_{IL} for Block Locking

The lockable blocks are locked when WP# = V_{IL}; any program or erase operation to a locked block will result in an error, which will be reflected in the status register. For top configuration, the top two parameter blocks (blocks #133 and #134 for the 64 Mbit, #69 and #70 for the 32 Mbit, blocks #37 and #38 for the 16 Mbit, blocks #21 and #22 for the 8 Mbit, blocks #13 and #14 for the 4 Mbit) are lockable. For the bottom configuration, the bottom two parameter blocks (blocks #0 and #1 for 4 / 8 / 16 / 32 / 64 Mbit) are lockable. Unlocked blocks can be programmed or erased normally (unless V_{PP} is below V_{PPLK}).

3.3.2 WP# = V_{IH} for Block Unlocking

WP# = V_{IH} unlocks all lockable blocks.

These blocks can now be programmed or erased.

Note that RP# does not override WP# locking as in previous Boot Block devices. WP# controls all block locking and V_{PP} provides protection against spurious writes. Table 8 defines the write protection methods.

Table 8. Write Protection Truth Table for the Advanced Boot Block Flash Memory Family

| V _{PP} | WP# | RP# | Write Protection Provided |
|---------------------|-----------------|-----------------|---------------------------|
| X | X | V _{IL} | All Blocks Locked |
| V _{IL} | X | V _{IH} | All Blocks Locked |
| ≥ V _{PPLK} | V _{IL} | V _{IH} | Lockable Blocks Locked |
| ≥ V _{PPLK} | V _{IH} | V _{IH} | All Blocks Unlocked |

3.4 V_{PP} Program and Erase Voltages

Intel® 3 Volt Advanced Boot Block products provide in-system programming and erase at 2.7 V. For customers requiring fast programming in their manufacturing environment, 3 Volt Advanced Boot Block includes an additional low-cost 12 V programming feature.

The 12 V V_{PP} mode enhances programming performance during the short period of time typically found in manufacturing processes; however, it is not intended for extended use. 12 V may be applied to V_{PP} during program and erase operations for a maximum of 1000 cycles on the main blocks and 2500 cycles on the parameter blocks. V_{PP} may be connected to 12 V for a total of 80 hours maximum.

Warning: Stressing the device beyond these limits may cause permanent damage.

During read operations or idle times, V_{PP} may be tied to a 5 V supply. For program and erase operations, a 5 V supply is not permitted. The V_{PP} must be supplied with either 2.7 V–3.6 V or 11.4 V–12.6 V during program and erase operations.

3.4.1 V_{PP} = V_{IL} for Complete Protection

The V_{PP} programming voltage can be held low for complete write protection of all blocks in the flash device. When V_{PP} is below V_{PPLK}, any program or erase operation will result in an error, prompting the corresponding status register bit (SR.3) to be set.

3.5 Power Consumption

Intel Flash devices have a tiered approach to power savings that can significantly reduce overall system power consumption. The Automatic Power Savings (APS) feature reduces power consumption when the device is selected but idle. If the CE# is deasserted, the flash enters its standby mode, where current consumption is even lower. The combination of these features can minimize memory power consumption, and therefore, overall system power consumption.

3.5.1 Active Power

With CE# at a logic-low level and RP# at a logic-high level, the device is in the active mode. Refer to the DC Characteristic tables for I_{CC} current values. Active power is the largest contributor to overall system power consumption. Minimizing the active current could have a profound effect on system power consumption, especially for battery-operated devices.

3.5.2 Automatic Power Savings (APS)

Automatic Power Savings provides low-power operation during read mode. After data is read from the memory array and the address lines are quiescent, APS circuitry places the device in a mode where typical current is comparable to I_{CCS} . The flash stays in this static state with outputs valid until a new location is read.

3.5.3 Standby Power

With CE# at a logic-high level (V_{IH}) and device in read mode, the flash memory is in standby mode, which disables much of the device's circuitry and substantially reduces power consumption. Outputs are placed in a high-impedance state independent of the status of the OE# signal. If CE# transitions to a logic-high level during erase or program operations, the device will continue to perform the operation and consume corresponding active power until the operation is completed.

System engineers should analyze the breakdown of standby time versus active time and quantify the respective power consumption in each mode for their specific application. This will provide a more accurate measure of application-specific power and energy requirements.

3.5.4 Deep Power-Down Mode

The deep power-down mode is activated when $RP\# = V_{IL}$ ($GND \pm 0.2 V$). During read modes, RP# going low de-selects the memory and places the outputs in a high impedance state. Recovery from deep power-down requires a minimum time of t_{PHQV} (see *AC Characteristics—Read Operations*, Section 4.5).

During program or erase modes, RP# transitioning low will abort the in-progress operation. The memory contents of the address being programmed or the block being erased are no longer valid as the data integrity has been compromised by the abort. During deep power-down, all internal circuits are switched to a low power savings mode (RP# transitioning to V_{IL} or turning off power to the device clears the status register).

3.6 Power-Up/Down Operation

The device is protected against accidental block erasure or programming during power transitions. Power supply sequencing is not required, since the device is indifferent as to which power supply, V_{PP} or V_{CC} , powers-up first.

3.6.1 RP# Connected to System Reset

The use of RP# during system reset is important with automated program/erase devices since the system expects to read from the flash memory when it comes out of reset. If a CPU reset occurs without a flash memory reset, proper CPU initialization will not occur because the flash memory may be providing status information instead of array data. Intel recommends connecting RP# to the system CPU RESET# signal to allow proper CPU/flash initialization following system reset.

System designers must guard against spurious writes when V_{CC} voltages are above V_{LKO} . Since both WE# and CE# must be low for a command write, driving either signal to V_{IH} will inhibit writes to the device. The CUI architecture provides additional protection since alteration of memory contents can only occur after successful completion of the two-step command sequences. The device is also disabled until RP# is brought to V_{IH} , regardless of the state of its control inputs. By holding the device in reset (RP# connected to system POWERGOOD) during power-up/down, invalid bus conditions during power-up can be masked, providing yet another level of memory protection.

3.6.2 V_{CC} , V_{PP} and RP# Transitions

The CUI latches commands as issued by system software and is not altered by V_{PP} or CE# transitions or WSM actions. Its default state upon power-up, after exit from reset mode or after V_{CC} transitions above V_{LKO} (Lockout voltage), is read array mode.

After any program or block erase operation is complete (even after V_{PP} transitions down to V_{PPLK}), the CUI must be reset to read array mode via the Read Array command if access to the flash memory array is desired.

3.7 Power Supply Decoupling

Flash memory's power switching characteristics require careful device decoupling. System designers should consider three supply current issues:

1. Standby current levels (I_{CCS})
2. Read current levels (I_{CCR})
3. Transient peaks produced by falling and rising edges of CE#.

Transient current magnitudes depend on the device outputs' capacitive and inductive loading. Two-line control and proper decoupling capacitor selection will suppress these transient voltage peaks. Each flash device should have a 0.1 μ F ceramic capacitor connected between each V_{CC} and GND, and between its V_{PP} and GND. These high-frequency, inherently low-inductance capacitors should be placed as close as possible to the package leads.

4.0 Electrical Specifications

4.1 Absolute Maximum Ratings

| Parameter | Maximum Rating |
|---|--------------------------------------|
| Extended Operating Temperature | -40 °C to +85 °C |
| During Read | |
| During Block Erase and Program | |
| Temperature under Bias | |
| Storage Temperature | -65 °C to +125 °C |
| Voltage On Any Pin (except V _{CC} , V _{CCQ} and V _{PP}) with Respect to GND | -0.5 V to +3.7 V ⁽¹⁾ |
| V _{PP} Voltage (for Block Erase and Program) with Respect to GND | -0.5 V to +13.5 V ^(1,2,3) |
| V _{CC} and V _{CCQ} Supply Voltage with Respect to GND | -0.2 V to +3.7 V ⁽⁴⁾ |
| Output Short Circuit Current | 100 mA ⁽⁵⁾ |

NOTES:

1. Minimum DC voltage is -0.5 V on input/output pins, with allowable undershoot to -2.0 V for periods <20 ns. Maximum DC voltage on input/output pins is V_{CC} +0.5 V, with allowable overshoot to V_{CC} +1.5 for periods of <20 ns.
2. Maximum DC voltage on V_{PP} may overshoot to +14.0 V for periods <20 ns.
3. V_{PP} Program voltage is normally 2.7 V–3.6 V. Connection to a 11.4 V–12.6 V supply can be done for a maximum of 1000 cycles on the main blocks and 2500 cycles on the parameter blocks during program/erase. V_{PP} may be connected to 12 V for a total of 80 hours maximum. See [Section 3.4](#) for details.
4. Minimum DC voltage is -0.5 V on V_{CC} and V_{CCQ}, with allowable undershoot to -2.0 V for periods <20 ns. Maximum DC voltage on V_{CC} and V_{CCQ} pins is V_{CC} +0.5 V, with allowable overshoot to V_{CC} +1.5 for periods of <20 ns.
5. Output shorted for no more than one second. No more than one output shorted at a time.

NOTICE: This datasheet contains preliminary information on new products in production. Specifications are subject to change without notice. Verify with your local Intel Sales office that you have the latest datasheet before finalizing a design.

Warning: Stressing the device beyond the “Absolute Maximum Ratings” may cause permanent damage. These are stress ratings only. Operation beyond the “Operating Conditions” is not recommended and extended exposure beyond the “Operating Conditions” may affect device reliability.

4.2 Operating Conditions

| Symbol | Parameter | Notes | Min | Max | Units |
|-------------------|--------------------------------|-------|---------|------|--------|
| T _A | Operating Temperature | | -40 | +85 | °C |
| V _{CC1} | V _{CC} Supply Voltage | 1, 2 | 2.7 | 3.6 | Volts |
| V _{CC2} | | | 2.7 | 2.85 | |
| V _{CC3} | | | 2.7 | 3.3 | |
| V _{CCQ1} | I/O Supply Voltage | 1 | 2.7 | 3.6 | Volts |
| V _{CCQ2} | | | 1.65 | 2.5 | |
| V _{CCQ3} | | | 1.8 | 2.5 | |
| V _{PP1} | Program and Erase Voltage | 1 | 2.7 | 3.6 | Volts |
| V _{PP2} | | | 2.7 | 2.85 | |
| V _{PP3} | | | 2.7 | 3.3 | |
| V _{PP4} | | 3, 4 | 11.4 | 12.6 | |
| Cycling | Block Erase Cycling | 4 | 100,000 | | Cycles |

NOTES:

1. V_{CC1}, V_{CCQ1}, and V_{PP3} must share the same supply when all three are between 2.7 V and 3.6 V.
2. V_{CC}Max is 3.3 V on 0.25µm 32-Mbit devices.
3. During read operations or idle time, 5 V may be applied to V_{PP} indefinitely. V_{PP} must be at valid levels for program and erase operations
4. Applying V_{PP} = 11.4 V–12.6 V during a program/erase can only be done for a maximum of 1000 cycles on the main blocks and 2500 cycles on the parameter blocks. V_{PP} may be connected to 12 V for a total of 80 hours maximum. See [Section 3.4](#) for details.

4.3 Capacitance

T_A = 25 °C, f = 1 MHz

| Sym | Parameter | Notes | Typ | Max | Units | Conditions |
|------------------|--------------------|-------|-----|-----|-------|------------------------|
| C _{IN} | Input Capacitance | 1 | 6 | 8 | pF | V _{IN} = 0 V |
| C _{OUT} | Output Capacitance | 1 | 10 | 12 | pF | V _{OUT} = 0 V |

NOTE: Sampled, not 100% tested.



4.4 DC Characteristics

| Sym | Parameter | V _{CC} | 2.7 V–3.6 V | | 2.7 V–2.85 V | | 2.7 V–3.3 V | | Unit | Test Conditions |
|---------------------------------------|--|------------------|-------------|------|--------------|------|-------------|------|------|--|
| | | V _{CCQ} | 2.7 V–3.6 V | | 1.65 V–2.5 V | | 1.8 V–2.5 V | | | |
| | | Note | Typ | Max | Typ | Max | Typ | Max | | |
| I _{LI} | Input Load Current | 1,2 | | ± 1 | | ± 1 | | ± 1 | µA | V _{CC} = V _{CC} Max V _{CCQ} = V _{CCQ} Max V _{IN} = V _{CCQ} or GND |
| I _{LO} | Output Leakage Current | 1,2 | | ± 10 | | ± 10 | | ± 10 | µA | V _{CC} = V _{CC} Max V _{CCQ} = V _{CCQ} Max V _{IN} = V _{CCQ} or GND |
| I _{CCS} | V _{CC} Standby Current for 0.18 Micron Product | 1,2 | 7 | 15 | 20 | 50 | 150 | 250 | µA | V _{CC} = V _{CC} Max CE# = RP# = V _{CCQ} or during Program/ Erase Suspend WP# = V _{CCQ} or GND |
| | V _{CC} Standby Current for 0.25 Micron and 0.4 Micron Product | 1,2 | 18 | 35 | 20 | 50 | 150 | 250 | µA | |
| I _{CCD} | V _{CC} Power-Down Current for 0.18 Micron Product | 1,2 | 7 | 15 | 7 | 20 | 7 | 20 | µA | V _{CC} = V _{CC} Max V _{CCQ} = V _{CCQ} Max V _{IN} = V _{CCQ} or GND RP# = GND ± 0.2 V |
| | V _{CC} Power-Down Current for 0.25 Micron and 0.4 Micron Product | 1,2 | 7 | 25 | 7 | 25 | 7 | 25 | µA | |
| I _{CCR} | V _{CC} Read Current for 0.18 Micron Product | 1,2,3 | 9 | 18 | 8 | 15 | 9 | 15 | mA | V _{CC} = V _{CC} Max V _{CCQ} = V _{CCQ} Max OE# = V _{IH} , CE# = V _{IL} f = 5 MHz, I _{OUT} = 0 mA Inputs = V _{IL} or V _{IH} |
| | V _{CC} Read Current for 0.25 and 0.4 Micron Product | 1,2,3 | 10 | 18 | 8 | 15 | 9 | 15 | mA | |
| I _{PPD} | V _{PP} Deep Power-Down Current | | 0.2 | 5 | 0.2 | 5 | 0.2 | 5 | µA | RP# = GND ± 0.2 V V _{PP} ≤ V _{CC} |
| I _{PPR} | V _{PP} Read Current | 1,4 | 2 | ±15 | 2 | ±15 | 2 | ±15 | µA | V _{PP} ≤ V _{CC} |
| | | | 50 | 200 | 50 | 200 | 50 | 200 | µA | V _{PP} > V _{CC} |
| I _{CCW+} I _{PPW} | V _{CC} + V _{PP} Program Current for 0.18 Micron Product | 1,2,4 | 18 | 55 | 18 | 55 | 18 | 55 | mA | V _{PP} = V _{PP1, 2, 3} Program in Progress |
| | | | 8 | 15 | 10 | 30 | 10 | 30 | mA | V _{PP} = V _{PP4} Program in Progress |
| | V _{CC} + V _{PP} Program Current for 0.25 Micron and 0.4 Micron Product | 1,2,4 | 18 | 55 | 18 | 55 | 18 | 55 | mA | V _{PP} = V _{PP1, 2, 3} Program in Progress |
| | | | 10 | 30 | 10 | 30 | 10 | 30 | mA | V _{PP} = V _{PP4} Program in Progress |

DC Characteristics, Continued

| Sym | Parameter | V _{CC} | 2.7 V–3.6 V | | 2.7 V–2.85 V | | 2.7 V–3.3 V | | Unit | Test Conditions |
|--|--|------------------|-------------|-----|--------------|-----|-------------|-----|------|---|
| | | V _{CCQ} | 2.7 V–3.6 V | | 1.65 V–2.5 V | | 1.8 V–2.5 V | | | |
| | | Note | Typ | Max | Typ | Max | Typ | Max | | |
| I _{CCE} +I _{PPE} | V _{CC} + V _{PP} Erase Current for 0.18 Micron Product | 1,2,4 | 16 | 45 | 21 | 45 | 21 | 45 | mA | V _{PP} = V _{PP1, 2, 3} Program in Progress |
| | | | 16 | 45 | 16 | 45 | 16 | 45 | | V _{PP} = V _{PP4} Program in Progress |
| | V _{CC} + V _{PP} Erase Current for 0.25 Micron and 0.4 Micron Product | 1,2,4 | 20 | 45 | 21 | 45 | 21 | 45 | mA | V _{PP} = V _{PP1, 2, 3} Program in Progress |
| | | | 16 | 45 | 16 | 45 | 16 | 45 | | V _{PP} = V _{PP4} Program in Progress |
| I _{PPES} I _{PPWS} | V _{PP} Erase Suspend Current | 1,4 | 50 | 200 | 50 | 200 | 50 | 200 | μA | V _{PP} = V _{PP1, 2, 3, 4} Program or Erase Suspend in Progress |

DC Characteristics, Continued

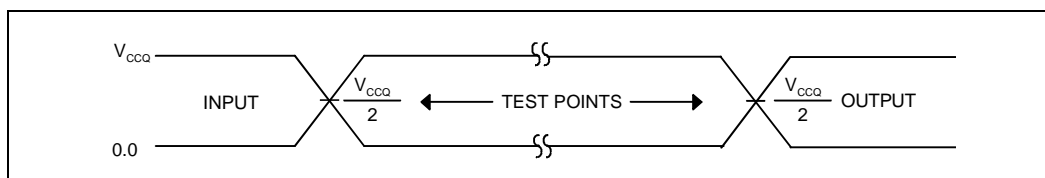
| Sym | Parameter | V _{CC} | 2.7 V–3.6 V | | 2.7 V–2.85 V | | 2.7 V–3.3 V | | Unit | Test Conditions |
|-------------------|---|------------------|---------------------------|-----------------------------|---------------------------|---------------------------|---------------------------|---------------------------|------|---|
| | | V _{CCQ} | 2.7 V–3.6 V | | 1.65 V–2.5 V | | 1.8 V–2.5 V | | | |
| | | Note | Min | Max | Min | Max | Min | Max | | |
| V _{IL} | Input Low Voltage | | -0.4 | V _{CC} * 0.22 V | -0.4 | 0.4 | -0.4 | 0.4 | V | |
| V _{IH} | Input High Voltage | | 2.0 | V _{CCQ} +0.3V | V _{CCQ} -0.4V | V _{CCQ} +0.3V | V _{CCQ} -0.4V | V _{CCQ} +0.3V | V | |
| V _{OL} | Output Low Voltage | | -0.1 | 0.1 | -0.1 | 0.1 | -0.1 | 0.1 | V | V _{CC} = V _{CCMin} V _{CCQ} = V _{CCQMin} I _{OL} = 100 μA |
| V _{OH} | Output High Voltage | | V _{CCQ} -0.1V | | V _{CCQ} -0.1V | | V _{CCQ} -0.1V | | V | V _{CC} = V _{CCMin} V _{CCQ} = V _{CCQMin} I _{OH} = -100 μA |
| V _{PPLK} | V _{PP} Lock-Out Voltage | 5 | | 1.5 | | 1.5 | | 1.5 | V | Complete Write Protection |
| V _{PP1} | V _{PP} during Program and Erase Operations | 5 | 2.7 | 3.6 | | | | | V | |
| V _{PP2} | | 5 | | | 2.7 | 2.85 | | | V | |
| V _{PP3} | | 5 | | | | | 2.7 | 3.3 | V | |
| V _{PP4} | | 5,6 | 11.4 | 12.6 | 11.4 | 12.6 | 11.4 | 12.6 | V | |
| V _{LKO} | V _{CC} Prog/Erase Lock Voltage | | 1.5 | | 1.5 | | 1.5 | | V | |
| V _{LKO2} | V _{CCQ} Prog/Erase Lock Voltage | | 1.2 | | 1.2 | | 1.2 | | V | |

NOTES:

 1. All currents are in RMS unless otherwise noted. Typical values at nominal V_{CC}, T_A = +25 °C.

2. Since each column lists specifications for a different V_{CC} and V_{CCQ} voltage range combination, the test conditions $V_{CC}Max$, $V_{CCQ}Max$, $V_{CC}Min$, and $V_{CCQ}Min$ refer to the maximum or minimum V_{CC} or V_{CCQ} voltage listed at the top of each column. $V_{CC}Max$ is 3.3 V on 0.25 μ m 32-Mbit devices.
3. Automatic Power Savings (APS) reduces I_{CCR} to approximately standby levels in static operation.
4. Sampled, not 100% tested.
5. Erase and program are inhibited when $V_{PP} < V_{PPLK}$ and not guaranteed outside the valid V_{PP} ranges of V_{PP1} , V_{PP2} , V_{PP3} and V_{PP4} . For read operations or during idle time, a 5 V supply may be applied to V_{PP} indefinitely. However, V_{PP} must be at valid levels for program and erase operations.
6. Applying $V_{PP} = 11.4\text{ V} - 12.6\text{ V}$ during program/erase can only be done for a maximum of 1000 cycles on the main blocks and 2500 cycles on the parameter blocks. V_{PP} may be connected to 12 V for a total of 80 hours maximum. See Section 3.4 for details. For read operations or during idle time, a 5 V supply may be applied to V_{PP} indefinitely. However, V_{PP} must be at valid levels for program and erase operations.

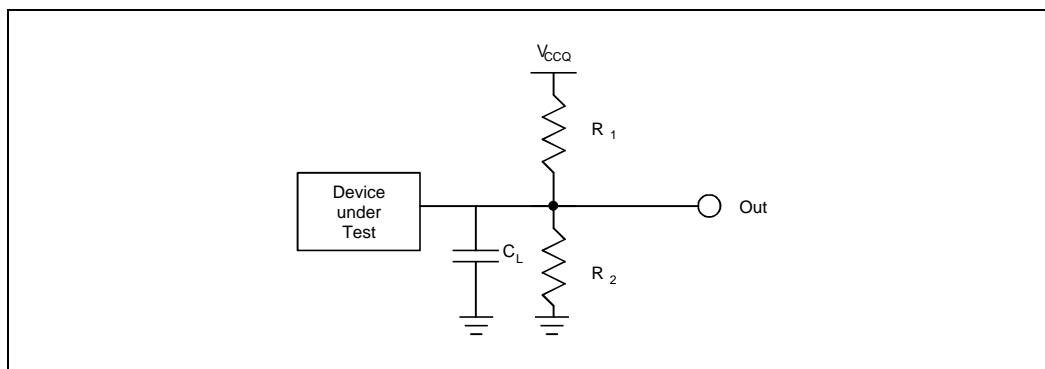
Figure 5. Input/Output Reference Waveform



NOTE: AC test inputs are driven at V_{CCQ} for a logic "1" and 0.0V for a logic "0." Input timing begins, and output timing ends, at $V_{CCQ}/2$. Input rise and fall times (10%–90%) <10 ns. Worst case speed conditions are when $V_{CCQ} = V_{CCQ}Min$.

0580_05

Figure 6. Test Configuration



NOTE: See table for component values.

0580_06

| Test Configuration Component Values for Worst Case Speed Conditions | | | |
|---|------------|--------------------|--------------------|
| Test Configuration | C_L (pF) | R_1 (Ω) | R_2 (Ω) |
| V_{CCQ1} Standard Test | 50 | 25 K | 25 K |
| V_{CCQ2} Standard Test | 50 | 14.5 K | 14.5 K |
| V_{CCQ3} Standard Test | 50 | 16 K | 16 K |

NOTE: C_L includes jig capacitance.

4.5 AC Characteristics —Read Operations

| # | Sym | Parameter | Density | 4/8 Mbit | | | | | | | | Unit |
|-----|-------------------|---|-----------------|-------------|-----|-------------|-----|-------------|-----|-------------|-----|------|
| | | | Product | 90 ns | | | | 110 ns | | | | |
| | | | V _{CC} | 3.0 V–3.6 V | | 2.7 V–3.6 V | | 3.0 V–3.6 V | | 2.7 V–3.6 V | | |
| | | | | Min | Max | Min | Max | Min | Max | Min | Max | |
| R1 | t _{AVAV} | Read Cycle Time | | 80 | | 90 | | 100 | | 110 | | ns |
| R2 | t _{AVQV} | Address to Output Delay | | | 80 | | 90 | | 100 | | 110 | ns |
| R3 | t _{ELQV} | CE# to Output Delay ⁽¹⁾ | | | 80 | | 90 | | 100 | | 110 | ns |
| R4 | t _{GLQV} | OE# to Output Delay ⁽¹⁾ | | | 30 | | 30 | | 30 | | 30 | ns |
| R5 | t _{PHQV} | RP# to Output Delay | | | 600 | | 600 | | 600 | | 600 | ns |
| R6 | t _{ELQX} | CE# to Output in Low Z ⁽²⁾ | | 0 | | 0 | | 0 | | 0 | | ns |
| R7 | t _{GLQX} | OE# to Output in Low Z ⁽²⁾ | | 0 | | 0 | | 0 | | 0 | | ns |
| R8 | t _{EHQZ} | CE# to Output in High Z ⁽²⁾ | | | 25 | | 25 | | 25 | | 25 | ns |
| R9 | t _{GHQZ} | OE# to Output in High Z ⁽²⁾ | | | 25 | | 25 | | 25 | | 25 | ns |
| R10 | t _{OH} | Output Hold from Address, CE#, or OE# Change, Whichever Occurs First ⁽²⁾ | | 0 | | 0 | | 0 | | 0 | | ns |

NOTES:

1. OE# may be delayed up to t_{ELQV}–t_{GLQV} after the falling edge of CE# without impact on t_{ELQV}.
2. Sampled, but not 100% tested.

See Figure 7, “AC Waveform: Read Operations” on page 26.

See Figure 5, “Input/Output Reference Waveform” on page 22 for timing measurements and maximum allowable input slew rate.



AC Characteristics, Continued

| # | Sym | Parameter | Density | 16 Mbit | | | | | | | | | | | | Unit |
|-----|-------------------|---|-----------------|-------------|-----|-------------|-----|-------------|-----|-------------|-----|-------------|-----|-------------|-----|------|
| | | | Product | 70 ns | | 80 ns | | 90 ns | | | | 110 ns | | | | |
| | | | V _{CC} | 2.7 V–3.6 V | | 2.7 V–3.6 V | | 3.0 V–3.6 V | | 2.7 V–3.6 V | | 3.0 V–3.6 V | | 2.7 V–3.6 V | | |
| | | | | Min | Max | Min | Max | Min | Max | Min | Max | Min | Max | Min | Max | |
| R1 | t _{AVAV} | Read Cycle Time | 70 | | 80 | | 80 | | 90 | | 100 | | 110 | | ns | |
| R2 | t _{AVQV} | Address to Output Delay | | 70 | | 80 | | 80 | | 90 | | 100 | | 110 | ns | |
| R3 | t _{ELQV} | CE# to Output Delay ⁽¹⁾ | | 70 | | 80 | | 80 | | 90 | | 100 | | 110 | ns | |
| R4 | t _{GLQV} | OE# to Output Delay ⁽¹⁾ | | 20 | | 20 | | 30 | | 30 | | 30 | | 30 | ns | |
| R5 | t _{PHQV} | RP# to Output Delay | | 150 | | 150 | | 600 | | 600 | | 600 | | 600 | ns | |
| R6 | t _{ELQX} | CE# to Output in Low Z ⁽²⁾ | 0 | | 0 | | 0 | | 0 | | 0 | | 0 | | ns | |
| R7 | t _{GLQX} | OE# to Output in Low Z ⁽²⁾ | 0 | | 0 | | 0 | | 0 | | 0 | | 0 | | ns | |
| R8 | t _{EHQZ} | CE# to Output in High Z ⁽²⁾ | | 20 | | 20 | | 25 | | 25 | | 25 | | 25 | ns | |
| R9 | t _{GHQZ} | OE# to Output in High Z ⁽²⁾ | | 20 | | 20 | | 25 | | 25 | | 25 | | 25 | ns | |
| R10 | t _{OH} | Output Hold from Address, CE#, or OE# Change, Whichever Occurs First ⁽²⁾ | 0 | | 0 | | 0 | | 0 | | 0 | | 0 | | ns | |

NOTES:

1. OE# may be delayed up to t_{ELQV}–t_{GLQV} after the falling edge of CE# without impact on t_{ELQV}.
2. Sampled, but not 100% tested.

See Figure 7, “AC Waveform: Read Operations” on page 26.

See Figure 5, “Input/Output Reference Waveform” on page 22 for timing measurements and maximum allowable input slew rate.

AC Characteristics, Continued

| # | Sym | Parameter | Density | 32 Mbit | | | | | | | | | | | | Unit |
|-----|-------------------|---|-----------------|-------------|-----|-------------|-----|-------------|-----|-------------|-----|-------------|-----|-------------|-----|------|
| | | | Product | 70 ns | | 90 ns | | 100 ns | | | | 110 ns | | | | |
| | | | V _{CC} | 2.7 V–3.6 V | | 2.7 V–3.6 V | | 3.0 V–3.3 V | | 2.7 V–3.3 V | | 3.0 V–3.3 V | | 2.7 V–3.3 V | | |
| | | | | Min | Max | Min | Max | Min | Max | Min | Max | Min | Max | Min | Max | |
| R1 | t _{AVAV} | Read Cycle Time | 70 | | 90 | | 90 | | 100 | | 100 | | 110 | | ns | |
| R2 | t _{AVQV} | Address to Output Delay | | 70 | | 90 | | 90 | | 100 | | 100 | | 110 | ns | |
| R3 | t _{ELQV} | CE# to Output Delay ⁽¹⁾ | | 70 | | 90 | | 90 | | 100 | | 100 | | 110 | ns | |
| R4 | t _{GLQV} | OE# to Output Delay ⁽¹⁾ | | 20 | | 20 | | 30 | | 30 | | 30 | | 30 | ns | |
| R5 | t _{PHQV} | RP# to Output Delay | | 150 | | 150 | | 600 | | 600 | | 600 | | 600 | ns | |
| R6 | t _{ELQX} | CE# to Output in Low Z ⁽²⁾ | 0 | | 0 | | 0 | | 0 | | 0 | | 0 | | ns | |
| R7 | t _{GLQX} | OE# to Output in Low Z ⁽²⁾ | 0 | | 0 | | 0 | | 0 | | 0 | | 0 | | ns | |
| R8 | t _{EHQZ} | CE# to Output in High Z ⁽²⁾ | | 20 | | 20 | | 25 | | 25 | | 25 | | 25 | ns | |
| R9 | t _{GHQZ} | OE# to Output in High Z ⁽²⁾ | | 20 | | 20 | | 25 | | 25 | | 25 | | 25 | ns | |
| R10 | t _{OH} | Output Hold from Address, CE#, or OE# Change, Whichever Occurs First ⁽²⁾ | 0 | | 0 | | 0 | | 0 | | 0 | | 0 | | ns | |

NOTES:

1. OE# may be delayed up to t_{ELQV}-t_{GLQV} after the falling edge of CE# without impact on t_{ELQV}.
2. Sampled, but not 100% tested.

See Figure 7, "AC Waveform: Read Operations" on page 26.

See Figure 5, "Input/Output Reference Waveform" on page 22 for timing measurements and maximum allowable input slew rate.

AC Characteristics, Continued

| # | Sym | Parameter | Density | | 64 Mbit | | | | Unit |
|-----|-------------------|--|-----------------|-----|-------------|-----|-------------|-----|------|
| | | | Product | | 90 ns | | 100 ns | | |
| | | | V _{CC} | | 2.7 V–3.6 V | | 2.7 V–3.6 V | | |
| | | | Note | Min | Max | Min | Max | | |
| R1 | t _{AVAV} | Read Cycle Time | | | 90 | | 100 | | ns |
| R2 | t _{AVQV} | Address to Output Delay | | | | 90 | | 100 | ns |
| R3 | t _{ELQV} | CE# to Output Delay | 1 | | | 90 | | 100 | ns |
| R4 | t _{GLQV} | OE# to Output Delay | 1 | | | 20 | | 20 | ns |
| R5 | t _{PHQV} | RP# to Output Delay | | | | 150 | | 150 | ns |
| R6 | t _{ELQX} | CE# to Output in Low Z | 2 | 0 | | 0 | | | ns |
| R7 | t _{GLQX} | OE# to Output in Low Z | 2 | 0 | | 0 | | | ns |
| R8 | t _{EHQZ} | CE# to Output in High Z | 2 | | 20 | | 20 | | ns |
| R9 | t _{GHQZ} | OE# to Output in High Z | 2 | | 20 | | 20 | | ns |
| R10 | t _{OH} | Output Hold from Address, CE#, or OE# Change, Whichever Occurs First | 2 | 0 | | | 0 | | ns |

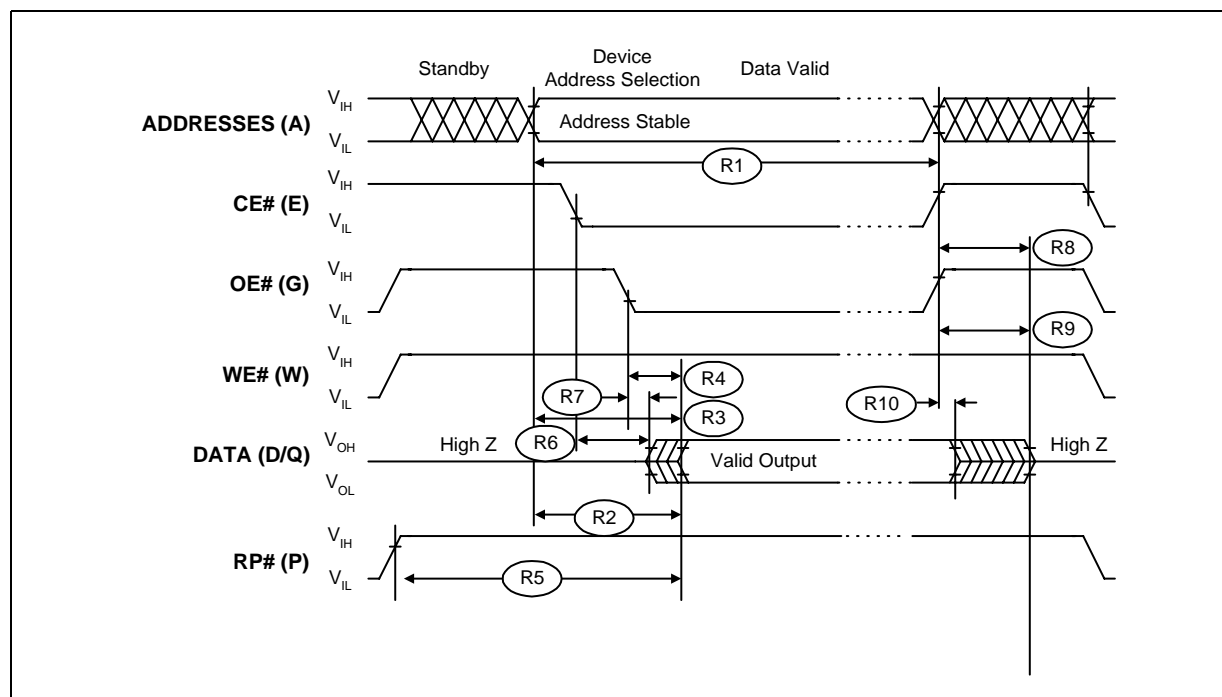
NOTES:

1. OE# may be delayed up to t_{ELQV}–t_{GLQV} after the falling edge of CE# without impact on t_{ELQV}.
2. Sampled, but not 100% tested.

See Figure 7 for the AC waveform for read operations.

See Figure 5, "Input/Output Reference Waveform" on page 22 for timing measurements and maximum allowable input slew rate.

Figure 7. AC Waveform: Read Operations



4.6 AC Characteristics —Write Operations

| # | Sym | Parameter | Density | 4/8 Mbit | | | | Unit |
|-----|---------------------------------------|---|-----------------|---------------|---------------|---------------|---------------|------|
| | | | Product | 90 ns | | 110 ns | | |
| | | | V _{CC} | 3.0 V – 3.6 V | 2.7 V – 3.6 V | 3.0 V – 3.6 V | 2.7 V – 3.6 V | |
| | | | Note | Min | Min | Min | Min | |
| W1 | t _{PHWL} / t _{PHEL} | RP# High Recovery to WE# (CE#) Going Low | | 600 | 600 | 600 | 600 | ns |
| W2 | t _{ELWL} / t _{WLEL} | CE# (WE#) Setup to WE# (CE#) Going Low | | 0 | 0 | 0 | 0 | ns |
| W3 | t _{ELEH} / t _{WLWH} | WE# (CE#) Pulse Width | 1 | 70 | 70 | 70 | 70 | ns |
| W4 | t _{DVWH} / t _{DVEH} | Data Setup to WE# (CE#) Going High | 2 | 50 | 50 | 60 | 60 | ns |
| W5 | t _{AVWH} / t _{AVEH} | Address Setup to WE# (CE#) Going High | 2 | 70 | 70 | 70 | 70 | ns |
| W6 | t _{WHEH} / t _{EHWH} | CE# (WE#) Hold Time from WE# (CE#) High | | 0 | 0 | 0 | 0 | ns |
| W7 | t _{WHDH} / t _{EHDX} | Data Hold Time from WE# (CE#) High | 2 | 0 | 0 | 0 | 0 | ns |
| W8 | t _{WHAX} / t _{EHAX} | Address Hold Time from WE# (CE#) High | 2 | 0 | 0 | 0 | 0 | ns |
| W9 | t _{WHWL} / t _{EHEL} | WE# (CE#) Pulse Width High | 1 | 30 | 30 | 30 | 30 | ns |
| W10 | t _{VPWH} / t _{VPEH} | V _{PP} Setup to WE# (CE#) Going High | 3 | 200 | 200 | 200 | 200 | ns |
| W11 | t _{QVVL} | V _{PP} Hold from Valid SRD | 3 | 0 | 0 | 0 | 0 | ns |

NOTES:

1. Refer to command definition table (Table 6) for valid A_{IN} or D_{IN}.
2. Write pulse width (t_{WP}) is defined from CE# or WE# going low (whichever goes low last) to CE# or WE# going high (whichever goes high first). Hence, t_{WP} = t_{WLWH} = t_{ELEH} = t_{WLEH} = t_{ELWH}. Similarly, Write pulse width high (t_{WPH}) is defined from CE# or WE# going high (whichever goes high first) to CE# or WE# going low (whichever goes low first). Hence, t_{WPH} = t_{WHWL} = t_{EHEL} = t_{WHEL} = t_{EHWL}.
3. Sampled, but not 100% tested.

Read timing characteristics during program suspend and erase suspend are the same as during read-only operations.

See Figure 5 for timing measurements and maximum allowable input slew rate.

See Figure 8, “AC Waveform: Program and Erase Operations” on page 32.

AC Characteristics—Write Operations, continued

| # | Sym | Parameter | Density | 16 Mbit | | | | | | Unit |
|------|---------------------------------------|---|-----------------|---------------|---------------|---------------|---------------|---------------|---------------|------|
| | | | Product | 70 ns | 80 ns | 90 ns | | 110 ns | | |
| | | | V _{CC} | 2.7 V – 3.6 V | 2.7 V – 3.6 V | 3.0 V – 3.6 V | 2.7 V – 3.6 V | 3.0 V – 3.6 V | 2.7 V – 3.6 V | |
| Note | Min | Min | Min | Min | Min | Min | | | | |
| W1 | t _{PHWL} / t _{PHL} | RP# High Recovery to WE# (CE#) Going Low | | 150 | 150 | 600 | 600 | 600 | 600 | ns |
| W2 | t _{ELWL} / t _{WLEL} | CE# (WE#) Setup to WE# (CE#) Going Low | | 0 | 0 | 0 | 0 | 0 | 0 | ns |
| W3 | t _{ELEH} / t _{WLWH} | WE# (CE#) Pulse Width | 1 | 45 | 50 | 70 | 70 | 70 | 70 | ns |
| W4 | t _{DVWH} / t _{DVEH} | Data Setup to WE# (CE#) Going High | 2 | 40 | 40 | 50 | 50 | 60 | 60 | ns |
| W5 | t _{AVWH} / t _{AVEH} | Address Setup to WE# (CE#) Going High | 2 | 50 | 50 | 70 | 70 | 70 | 70 | ns |
| W6 | t _{WHEH} / t _{EHWH} | CE# (WE#) Hold Time from WE# (CE#) High | | 0 | 0 | 0 | 0 | 0 | 0 | ns |
| W7 | t _{WHDH} / t _{EHDX} | Data Hold Time from WE# (CE#) High | 2 | 0 | 0 | 0 | 0 | 0 | 0 | ns |
| W8 | t _{WHAX} / t _{EHAX} | Address Hold Time from WE# (CE#) High | 2 | 0 | 0 | 0 | 0 | 0 | 0 | ns |
| W9 | t _{WHWL} / t _{EHEL} | WE# (CE#) Pulse Width High | 1 | 25 | 30 | 30 | 30 | 30 | 30 | ns |
| W10 | t _{VPWH} / t _{VPEH} | V _{PP} Setup to WE# (CE#) Going High | 3 | 200 | 200 | 200 | 200 | 200 | 200 | ns |
| W11 | t _{QVVL} | V _{PP} Hold from Valid SRD | 3 | 0 | 0 | 0 | 0 | 0 | 0 | ns |

NOTES:

1. Refer to command definition table (Table 6) for valid A_{IN} or D_{IN}.
2. Write pulse width (t_{WP}) is defined from CE# or WE# going low (whichever goes low last) to CE# or WE# going high (whichever goes high first). Hence, t_{WP} = t_{WLWH} = t_{ELEH} = t_{WLEH} = t_{ELWH}. Similarly, Write pulse width high (t_{WPH}) is defined from CE# or WE# going high (whichever goes high first) to CE# or WE# going low (whichever goes low first). Hence, t_{WPH} = t_{WHWL} = t_{EHEL} = t_{WHEL} = t_{EHWL}.
3. Sampled, but not 100% tested.

Read timing characteristics during program suspend and erase suspend are the same as during read-only operations.

See Figure 5 for timing measurements and maximum allowable input slew rate.

See Figure 8, "AC Waveform: Program and Erase Operations" on page 32.

AC Characteristics—Write Operations, continued

| # | Sym | Parameter | Density | 32 Mbit | | | | | | Unit |
|-----|---------------------------------------|---|-----------------|---------------|---------------|---------------|---------------|---------------|---------------|------|
| | | | Product | 70 ns | 90 ns | 90 ns | | 110 ns | | |
| | | | V _{CC} | 2.7 V – 3.6 V | 2.7 V – 3.6 V | 3.0 V – 3.3 V | 2.7 V – 3.3 V | 3.0 V – 3.3 V | 2.7 V – 3.3 V | |
| | | | Note | Min | Min | Min | Min | Min | Min | |
| W1 | t _{PHWL} / t _{PHEL} | RP# High Recovery to WE# (CE#) Going Low | | 150 | 150 | 600 | 600 | 600 | 600 | ns |
| W2 | t _{ELWL} / t _{WLEL} | CE# (WE#) Setup to WE# (CE#) Going Low | | 0 | 0 | 0 | 0 | 0 | 0 | ns |
| W3 | t _{ELEH} / t _{WLWH} | WE# (CE#) Pulse Width | 1 | 45 | 60 | 70 | 70 | 70 | 70 | ns |
| W4 | t _{DVWH} / t _{DVEH} | Data Setup to WE# (CE#) Going High | 2 | 40 | 40 | 50 | 50 | 60 | 60 | ns |
| W5 | t _{AVWH} / t _{AVEH} | Address Setup to WE# (CE#) Going High | 2 | 50 | 60 | 70 | 70 | 70 | 70 | ns |
| W6 | t _{WHEH} / t _{EHWH} | CE# (WE#) Hold Time from WE# (CE#) High | | 0 | 0 | 0 | 0 | 0 | 0 | ns |
| W7 | t _{WHDX} / t _{EHDX} | Data Hold Time from WE# (CE#) High | 2 | 0 | 0 | 0 | 0 | 0 | 0 | ns |
| W8 | t _{WHAX} / t _{EHAX} | Address Hold Time from WE# (CE#) High | 2 | 0 | 0 | 0 | 0 | 0 | 0 | ns |
| W9 | t _{WHWL} / t _{EHEL} | WE# (CE#) Pulse Width High | 1 | 25 | 30 | 30 | 30 | 30 | 30 | ns |
| W10 | t _{VPWH} / t _{VPEH} | V _{PP} Setup to WE# (CE#) Going High | 3 | 200 | 200 | 200 | 200 | 200 | 200 | ns |
| W11 | t _{QVVL} | V _{PP} Hold from Valid SRD | 3 | 0 | 0 | 0 | 0 | 0 | 0 | ns |

NOTES:

1. Refer to command definition table (Table 6) for valid A_{IN} or D_{IN}.
2. Write pulse width (t_{WP}) is defined from CE# or WE# going low (whichever goes low last) to CE# or WE# going high (whichever goes high first). Hence, t_{WP} = t_{WLWH} = t_{ELEH} = t_{WLEH} = t_{ELWH}. Similarly, Write pulse width high (t_{WPH}) is defined from CE# or WE# going high (whichever goes high first) to CE# or WE# going low (whichever goes low first). Hence, t_{WPH} = t_{WHWL} = t_{EHEL} = t_{WHEL} = t_{EHWL}.
3. Sampled, but not 100% tested.

Read timing characteristics during program suspend and erase suspend are the same as during read-only operations.

See Figure 5 for timing measurements and maximum allowable input slew rate.

See Figure 8, "AC Waveform: Program and Erase Operations" on page 32.

AC Characteristics—Write Operations, continued

| # | Sym | Parameter | Density | 64 Mbit | | Unit |
|-----|-----------------------|---|-----------------|---------------|---------------|------|
| | | | Product | 90 ns | 100 ns | |
| | | | V _{CC} | 2.7 V – 3.6 V | 2.7 V – 3.6 V | |
| | | | Note | Min | Min | |
| W1 | t_{PHWL} / t_{PHEL} | RP# High Recovery to WE# (CE#) Going Low | | 150 | 150 | ns |
| W2 | t_{ELWL} / t_{WLEL} | CE# (WE#) Setup to WE# (CE#) Going Low | | 0 | 0 | ns |
| W3 | t_{ELEH} / t_{WLWH} | WE# (CE#) Pulse Width | 1 | 60 | 70 | ns |
| W4 | t_{DVWH} / t_{DVEH} | Data Setup to WE# (CE#) Going High | 2 | 40 | 40 | ns |
| W5 | t_{AVWH} / t_{AVEH} | Address Setup to WE# (CE#) Going High | 2 | 60 | 60 | ns |
| W6 | t_{WHEH} / t_{EHWH} | CE# (WE#) Hold Time from WE# (CE#) High | | 0 | 0 | ns |
| W7 | t_{WHDX} / t_{EHDX} | Data Hold Time from WE# (CE#) High | 2 | 0 | 0 | ns |
| W8 | t_{WHAX} / t_{EHAX} | Address Hold Time from WE# (CE#) High | 2 | 0 | 0 | ns |
| W9 | t_{WHWL} / t_{EHEL} | WE# (CE#) Pulse Width High | 1 | 30 | 30 | ns |
| W10 | t_{VPWH} / t_{VPEH} | V _{PP} Setup to WE# (CE#) Going High | 3 | 200 | 200 | ns |
| W11 | t_{QVVL} | V _{PP} Hold from Valid SRD | 3 | 0 | 0 | ns |

NOTES:

1. Refer to command definition table (Table 6) for valid A_{IN} or D_{IN}.
2. Write pulse width (t_{WP}) is defined from CE# or WE# going low (whichever goes low last) to CE# or WE# going high (whichever goes high first). Hence, $t_{WP} = t_{WLWH} = t_{ELEH} = t_{WLEH} = t_{ELWH}$. Similarly, Write pulse width high (t_{WPH}) is defined from CE# or WE# going high (whichever goes high first) to CE# or WE# going low (whichever goes low first). Hence, $t_{WPH} = t_{WHWL} = t_{EHEL} = t_{WHEL} = t_{EHWL}$.
3. Sampled, but not 100% tested.

Read timing characteristics during program suspend and erase suspend are the same as during read-only operations.

See Figure 5 for timing measurements and maximum allowable input slew rate.

See Figure 8, "AC Waveform: Program and Erase Operations" on page 32.

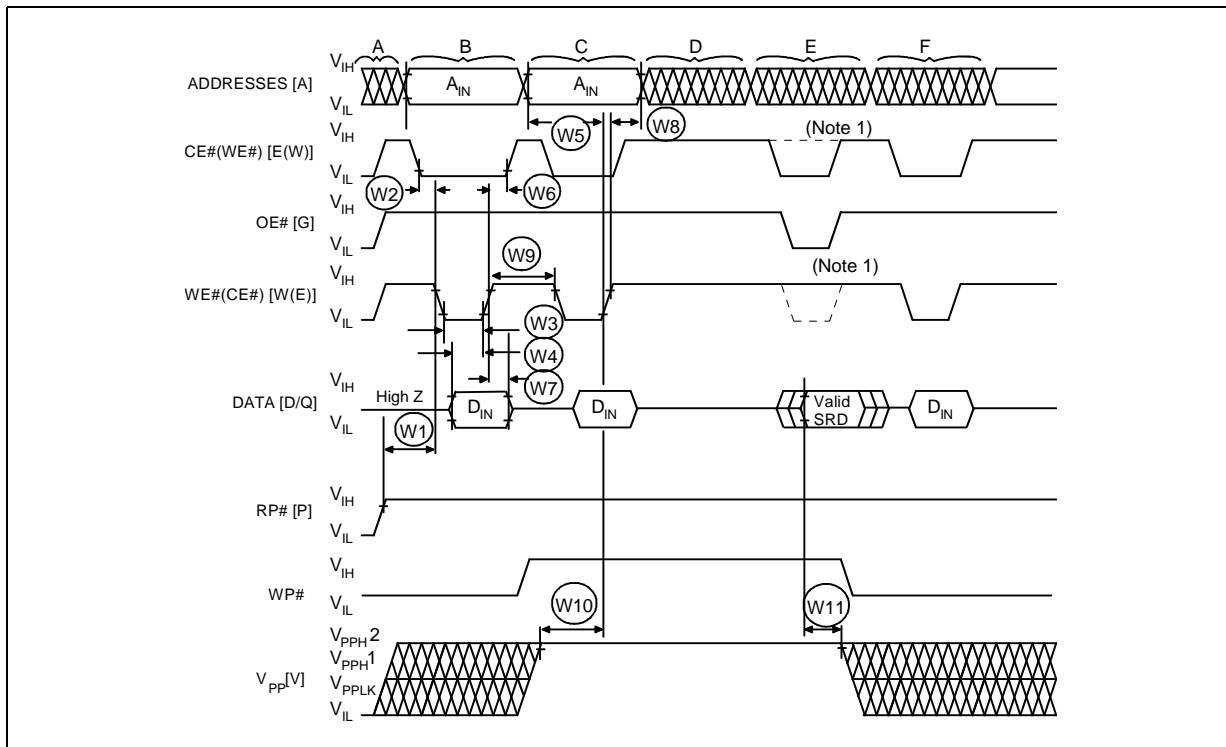
4.7 Program and Erase Timings

| Symbol | Parameter | V _{PP} | 2.7 V–3.6 V | | 11.4 V–12.6 V | | Units |
|---|---|-----------------|--------------------|------|--------------------|------|-------|
| | | Notes | Typ ⁽¹⁾ | Max | Typ ⁽¹⁾ | Max | |
| t _{BWPB} | 8-KB Parameter Block Program Time (Byte) | 2, 3 | 0.16 | 0.48 | 0.08 | 0.24 | s |
| | 4-KW Parameter Block Program Time (Word) | 2, 3 | 0.10 | 0.30 | 0.03 | 0.12 | s |
| t _{BWMB} | 64-KB Main Block Program Time (Byte) | 2, 3, 4 | 1.2 | 3.7 | 0.6 | 1.7 | s |
| | 32-KW Main Block Program Time (Word) | 2, 3 | 0.8 | 2.4 | 0.24 | 1 | s |
| t _{WHQV1} / t _{EHQV1} | Byte Program Time | 2, 3, 4 | 17 | 165 | 8 | 185 | μs |
| | Word Program Time for 0.18 Micron Product | 2,3 | 12 | 200 | 8 | 185 | μs |
| | Word Program Time for 0.25 Micron and 0.4 Micron Products | 2, 3 | 22 | 200 | 8 | 185 | μs |
| t _{WHQV2} / t _{EHQV2} | 8-KB Parameter Block Erase Time (Byte) | 2, 3, 4 | 1 | 4 | 0.8 | 4 | s |
| | 4-KW Parameter Block Erase Time (Word) | 2, 3 | 0.5 | 4 | 0.4 | 4 | s |
| t _{WHQV3} / t _{EHQV3} | 64-KB Main Block Erase Time (Byte) | 2, 3, 4 | 1 | 5 | 1 | 5 | s |
| | 32-KW Main Block Erase Time (Word) | 2, 3 | 1 | 5 | 0.6 | 5 | s |
| t _{WHRH1} / t _{EHRH1} | Program Suspend Latency | | 5 | 10 | 5 | 10 | μs |
| t _{WHRH2} / t _{EHRH2} | Erase Suspend Latency | | 5 | 20 | 5 | 20 | μs |

NOTES:

1. Typical values measured at nominal voltages and T_A = +25 °C.
2. Excludes external system-level overhead.
3. Sampled, not 100% tested.
4. x8 not available on 0.18 μm offerings

Figure 8. AC Waveform: Program and Erase Operations



0580_08

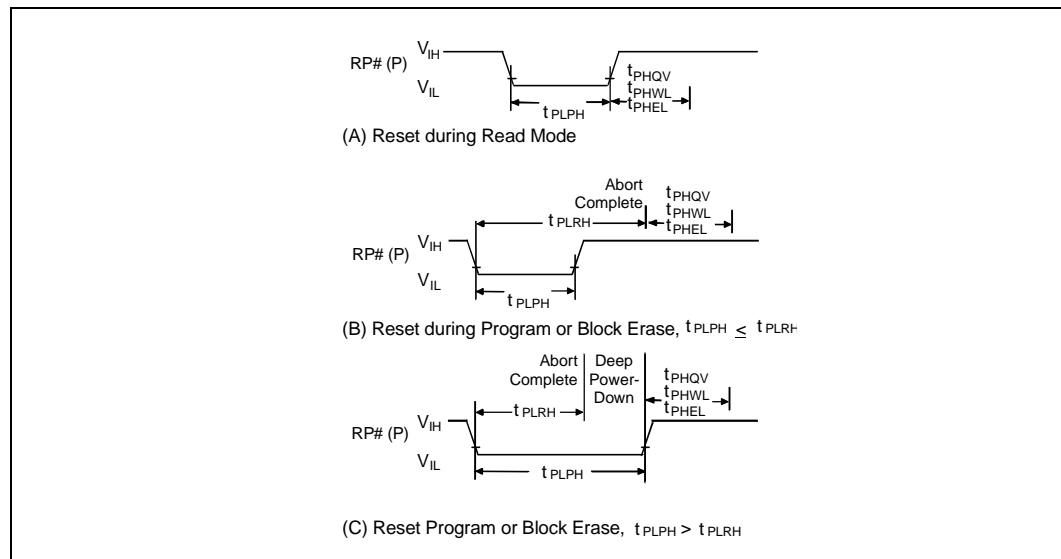
NOTES:

1. CE# must be toggled low when reading Status Register Data. WE# must be inactive (high) when reading Status Register Data.

- A. V_{CC} Power-Up and Standby.
- B. Write Program or Erase Setup Command.
- C. Write Valid Address and Data (for Program) or Erase Confirm Command.
- D. Automated Program or Erase Delay.
- E. Read Status Register Data (SRD): reflects completed program/erase operation.
- F. Write Read Array Command.

5.0 Reset Operations

Figure 9. AC Waveform: Deep Power-Down/Reset Operation



0580_09

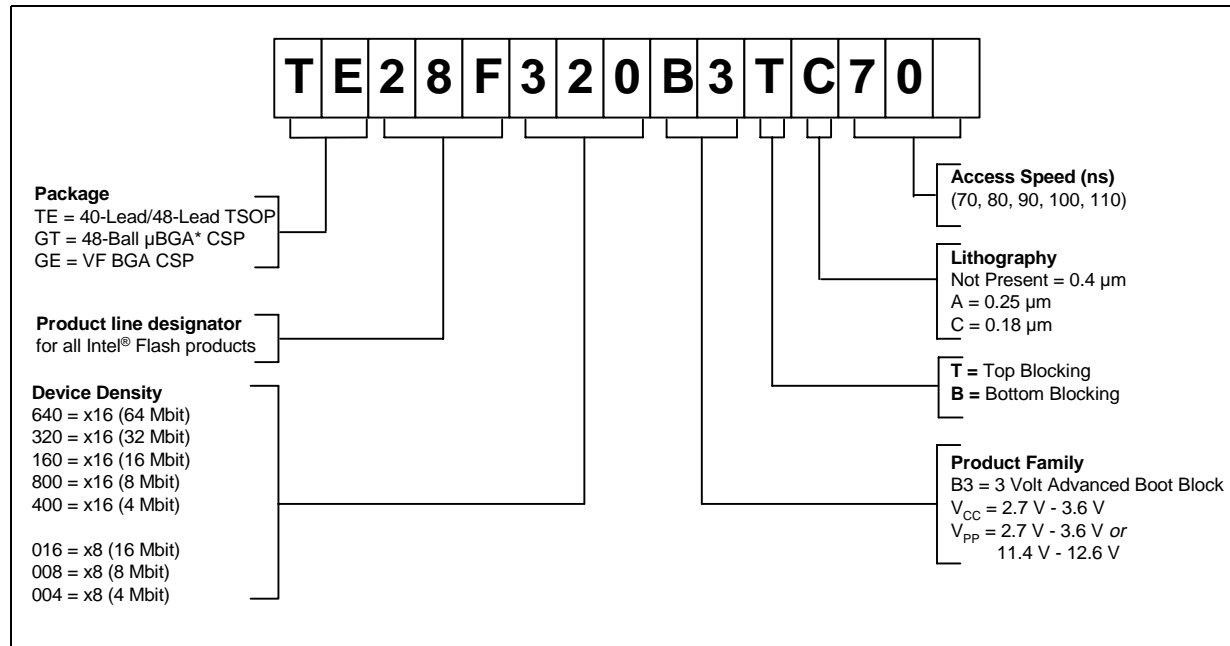
Reset Specifications

| Symbol | Parameter | Notes | $V_{CC} = 2.7\text{ V} - 3.6\text{ V}$ | | Unit |
|------------|---|-------|--|-----|---------------|
| | | | Min | Max | |
| t_{PLPH} | RP# Low to Reset during Read (If RP# is tied to V_{CC} , this specification is not applicable) | 1,2 | 100 | | ns |
| t_{PLRH} | RP# Low to Reset during Block Erase or Program | 2,3 | | 22 | μs |

NOTES:

1. If t_{PLPH} is <100 ns the device may still RESET but this is not guaranteed
2. .Sampled, but not 100% tested.
3. If RP# is asserted while a block erase or word program operation is not executing, the reset will complete within 100 ns.

6.0 Ordering Information





Ordering Information Valid Combinations

| | 40-Lead TSOP | 48-Ball μ BGA* CSP ^(1,2) | 48-Lead TSOP | 48-Ball μ BGA CSP ^(1,2) | 48-Ball VF BGA |
|-----------------------|--|--|--|--|--|
| Ext. Temp. 64 Mbit | | | TE28F640B3TC90 TE28F640B3BC90 TE28F640B3TC100 TE28F640B3BC100 | GT28F640B3TC90 GT28F640B3BC90 GT28F640B3TC100 GT28F640B3BC100 | |
| Ext. Temp. 32 Mbit | | | TE28F320B3TC70 TE28F320B3BC70 TE28F320B3TC90 TE28F320B3BC90 TE28F320B3TA100 TE28F320B3BA100 TE28F320B3TA110 TE28F320B3BA110 | GT28F320B3TA100 GT28F320B3BA100 GT28F320B3TA110 GT28F320B3BA110 | GE28F320B3TC70 GE28F320B3BC70 GE28F320B3TC90 GE28F320B3BC90 |
| Ext. Temp. 16 Mbit | TE28F016B3TA90 ⁽³⁾ TE28F016B3BA90 ⁽³⁾ TE28F016B3TA110 ⁽³⁾ TE28F016B3BA110 ⁽³⁾ | GT28F016B3TA90 ⁽³⁾ GT28F016B3BA90 ⁽³⁾ GT28F016B3TA110 ⁽³⁾ GT28F016B3BA110 ⁽³⁾ | TE28F160B3TC70 TE28F160B3BC70 TE28F160B3TC80 TE28F160B3BC80 TE28F160B3TA90 ⁽³⁾ TE28F160B3BA90 ⁽³⁾ TE28F160B3TA110 ⁽³⁾ TE28F160B3BA110 ⁽³⁾ | GT28F160B3TA90 ⁽³⁾ GT28F160B3BA90 ⁽³⁾ GT28F160B3TA110 ⁽³⁾ GT28F160B3BA110 ⁽³⁾ | GE28F160B3TC70 GE28F160B3BC70 GE28F160B3TC80 GE28F160B3BC80 |
| Ext. Temp. 8 Mbit | TE28F008B3TA90 ⁽³⁾ TE28F008B3BA90 ⁽³⁾ TE28F008B3TA110 ⁽³⁾ TE28F008B3BA110 ⁽³⁾ | GT28F008B3T90 GT28F008B3B90 GT28F008B3T110 GT28F008B3B110 | TE28F800B3TA90 ⁽³⁾ TE28F800B3BA90 ⁽³⁾ TE28F800B3TA110 ⁽³⁾ TE28F800B3BA110 ⁽³⁾ | GT28F800B3T90 GT28F800B3B90 GT28F800B3T110 GT28F800B3B110 | GE28F800B3TA90 GE28F800B3BA90 GE28F008B3TA90 GE28F008B3BA90 |
| Ext. Temp. 4 Mbit | TE28F004B3T90 TE28F004B3B90 TE28F004B3T110 TE28F004B3B110 | | TE28F400B3T90 TE28F400B3B90 TE28F400B3T110 TE28F400B3B110 | | |

NOTES:

1. The 48-ball μ BGA package top side mark reads F160B3 [or F800B3]. This mark is identical for both x8 and x16 products. All product shipping boxes or trays provide the correct information regarding bus architecture. However, once the devices are removed from the shipping media, it may be difficult to differentiate based on the top side mark. The device identifier (accessible through the Device ID command: see [Section 3.2.2](#) for further details) enables x8 and x16 μ BGA package product differentiation.
2. The second line of the 48-ball μ BGA package top side mark specifies assembly codes. For samples only, the first character signifies either "E" for engineering samples or "S" for silicon daisy chain samples. All other assembly codes without an "E" or "S" as the first character are production units.
3. Product can be ordered in either 0.25 μ m or 0.4 μ m material. The "A" before the access speed specifies 0.25 μ m material. For new designs, Intel recommends using 0.25 μ m Advanced Boot Block devices.

7.0 Additional Information

| Order Number | Document/Tool |
|-----------------------------------|--|
| 297948 | <i>3 Volt Advanced Boot Block Flash Memory Family Specification Update</i> |
| 292199 | <i>AP-641 Achieving Low Power with the 3 Volt Advanced Boot Block Flash Memory</i> |
| 292200 | <i>AP-642 Designing for Upgrade to the 3 Volt Advanced Boot Block Flash Memory</i> |
| Note 2 | <i>3 Volt Advanced Boot Block Algorithms ('C' and assembly)</i> http://developer.intel.com/design/flash/swtools |
| Contact your Intel Representative | <i>Intel® Flash Data Integrator (IFDI) Software Developer's Kit</i> |
| 297874 | <i>IFDI Interactive: Play with Intel® Flash Data Integrator on Your PC</i> |

NOTES:

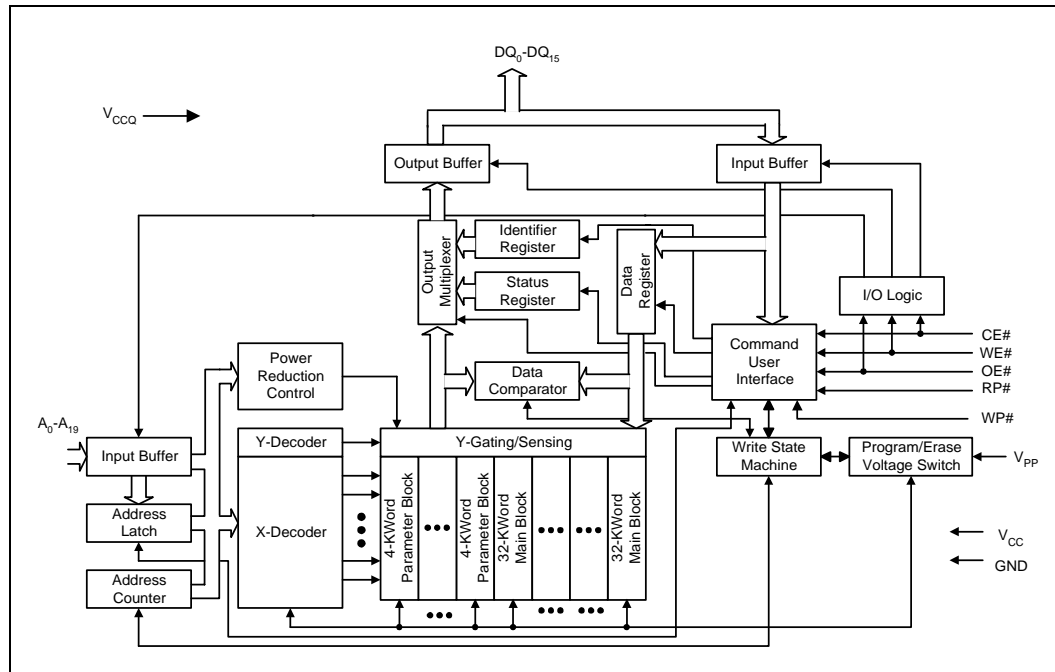
1. Please call the Intel Literature Center at (800) 548-4725 to request Intel documentation. International customers should contact their local Intel or distribution sales office.
2. Visit Intel's World Wide Web home page at <http://www.Intel.com> or <http://developer.intel.com> for technical documentation and tools.
3. For the most current information on Intel Advanced and Advanced+ Boot Block Flash memory, visit our microsite at <http://developer.intel.com/design/flash/abblock>.



Appendix A Write State Machine Current/Next States

| Current State | SR.7 | Data When Read | Command Input (and Next State) | | | | | | | | |
|--------------------------------|------|----------------|---|-------------------------------|---------------------------|---------------------------|-----------------------------|-----------------------|----------------------------|---------------------------|--------------------------------|
| | | | Read Array (FFH) | Program Setup (10/40H) | Erase Setup (20H) | Erase Confirm (D0H) | Prog/Ers Suspend (B0H) | Prog/Ers Resume (D0H) | Read Status (70H) | Clear Status (50H) | Read Identifier. (90H) |
| Read Array | "1" | Array | Read Array | Program Setup | Erase Setup | Read Array | | | Read Status | Read Array | Read Identifier |
| Read Status | "1" | Status | Read Array | Program Setup | Erase Setup | Read Array | | | Read Status | Read Array | Read Identifier |
| Read Identifier | "1" | Identifier | Read Array | Program Setup | Erase Setup | Read Array | | | Read Status | Read Array | Read Identifier |
| Prog. Setup | "1" | Status | Program (Command Input = Data to be Programmed) | | | | | | | | |
| Program (continue) | "0" | Status | Program (continue) | | | Prog. Susp. to Rd. Status | Program (continue) | | | | |
| Program Suspend to Read Status | "1" | Status | Prog. Sus. to Read Array | Program Suspend to Read Array | | Program (continue) | Program Susp. to Read Array | Program (continue) | Prog. Susp. to Read Status | Prog. Sus. to Read Array | Prog. Susp. to Read Identifier |
| Program Suspend to Read Array | "1" | Array | Prog. Susp. to Read Array | Program Suspend to Read Array | | Program (continue) | Program Susp. to Read Array | Program (continue) | Prog. Susp. to Read Status | Prog. Sus. to Read Array | Prog. Susp. to Read Identifier |
| Prog. Susp. to Read Identifier | "1" | Identifier | Prog. Susp. to Read Array | Program Suspend to Read Array | | Program (continue) | Program Susp. to Read Array | Program (continue) | Prog. Susp. to Read Status | Prog. Sus. to Read Array | Prog. Susp. to Read Identifier |
| Program (complete) | "1" | Status | Read Array | Program Setup | Erase Setup | Read Array | | | Read Status | Read Array | Read Identifier |
| Erase Setup | "1" | Status | Erase Command Error | | | Erase (continue) | Erase Cmd. Error | Erase (continue) | Erase Command Error | | |
| Erase Cmd. Error | "1" | Status | Read Array | Program Setup | Erase Setup | Read Array | | | Read Status | Read Array | Read Identifier |
| Erase (continue) | "0" | Status | Erase (continue) | | | Erase Sus. to Read Status | Erase (continue) | | | | |
| Erase Suspend to Status | "1" | Status | Erase Susp. to Read Array | Program Setup | Erase Susp. to Read Array | Erase | Erase Susp. to Read Array | Erase | Erase Susp. to Read Status | Erase Susp. to Read Array | Ers. Susp. to Read Identifier |
| Erase Susp. to Read Array | "1" | Array | Erase Susp. to Read Array | Program Setup | Erase Susp. to Read Array | Erase | Erase Susp. to Read Array | Erase | Erase Susp. to Read Status | Erase Susp. to Read Array | Ers. Susp. to Read Identifier |
| Erase Susp. to Read Identifier | "1" | Identifier | Erase Susp. to Read Array | Program Setup | Erase Susp. to Read Array | Erase | Erase Susp. to Read Array | Erase | Erase Susp. to Read Status | Erase Susp. to Read Array | Ers. Susp. to Read Identifier |
| Erase (complete) | "1" | Status | Read Array | Program Setup | Erase Setup | Read Array | | | Read Status | Read Array | Read Identifier |

Appendix B Architecture Block Diagram



0580-C1



Appendix C Word-Wide Memory Map Diagrams

16-Mbit and 32-Mbit Word-Wide Memory Addressing

| Top Boot | | | | Bottom Boot | | | |
|------------------------------------|--|-------------|----------------|------------------------------------|--------|-------------|----------------|
| Size (KW) | | 16 Mbit | 32 Mbit | Size (KW) | 8 Mbit | 16 Mbit | 32 Mbit |
| 4 | | FF000-FFFFF | 1FF000-1FFFFFF | 32 | | | 1F8000-1FFFFFF |
| 4 | | FE000-FEFFF | 1FE000-1FEFFF | 32 | | | 1F0000-1F7FFF |
| 4 | | FD000-FDFFF | 1FD000-1FDFFF | 32 | | | 1E8000-1EFFFF |
| 4 | | FC000-FCFFF | 1FC000-1FCFFF | 32 | | | 1E0000-1E7FFF |
| 4 | | FB000-FBFFF | 1FB000-1FBFFF | 32 | | | 1D8000-1DFFFF |
| 4 | | FA000-FAFFF | 1FA000-1FAFFF | 32 | | | 1D0000-1D7FFF |
| 4 | | F9000-F9FFF | 1F9000-1F9FFF | 32 | | | 1C8000-1CFFFF |
| 4 | | F8000-F8FFF | 1F8000-1F8FFF | 32 | | | 1C0000-1C7FFF |
| 32 | | F0000-F7FFF | 1F0000-1F7FFF | 32 | | | 1B8000-1BFFFF |
| 32 | | E8000-EFFFF | 1E8000-1EFFFF | 32 | | | 1B0000-1B7FFF |
| 32 | | E0000-E7FFF | 1E0000-1E7FFF | 32 | | | 1A8000-1AFFFF |
| 32 | | D8000-DFFFF | 1D8000-1DFFFF | 32 | | | 1A0000-1A7FFF |
| 32 | | D0000-D7FFF | 1D0000-1D7FFF | 32 | | | 198000-19FFFF |
| 32 | | C8000-CFFFF | 1C8000-1CFFFF | 32 | | | 190000-197FFF |
| 32 | | C0000-C7FFF | 1C0000-1C7FFF | 32 | | | 188000-18FFFF |
| 32 | | B8000-BFFFF | 1B8000-1BFFFF | 32 | | | 180000-187FFF |
| 32 | | B0000-B7FFF | 1B0000-1B7FFF | 32 | | | 178000-17FFFF |
| 32 | | A8000-AFFFF | 1A8000-1AFFFF | 32 | | | 170000-177FFF |
| 32 | | A0000-A7FFF | 1A0000-1A7FFF | 32 | | | 168000-16FFFF |
| 32 | | 98000-9FFFF | 198000-19FFFF | 32 | | | 160000-167FFF |
| 32 | | 90000-97FFF | 190000-197FFF | 32 | | | 158000-15FFFF |
| 32 | | 88000-8FFFF | 188000-18FFFF | 32 | | | 150000-157FFF |
| 32 | | 80000-87FFF | 180000-187FFF | 32 | | | 148000-14FFFF |
| 32 | | 78000-7FFFF | 178000-17FFFF | 32 | | | 140000-147FFF |
| 32 | | 70000-77FFF | 170000-177FFF | 32 | | | 138000-13FFFF |
| 32 | | 68000-6FFFF | 168000-16FFFF | 32 | | | 130000-137FFF |
| 32 | | 60000-67FFF | 160000-167FFF | 32 | | | 128000-12FFFF |
| 32 | | 58000-5FFFF | 158000-15FFFF | 32 | | | 120000-127FFF |
| 32 | | 50000-57FFF | 150000-157FFF | 32 | | | 118000-11FFFF |
| 32 | | 48000-4FFFF | 148000-14FFFF | 32 | | | 110000-117FFF |
| 32 | | 40000-47FFF | 140000-147FFF | 32 | | | 108000-10FFFF |
| 32 | | 38000-3FFFF | 138000-13FFFF | 32 | | | 100000-107FFF |
| 32 | | 30000-37FFF | 130000-137FFF | 32 | | F8000-FFFFF | 0F8000-0FFFFF |
| 32 | | 28000-2FFFF | 128000-12FFFF | 32 | | F0000-F7FFF | 0F0000-0F7FFF |
| 32 | | 20000-27FFF | 120000-127FFF | 32 | | E8000-EFFFF | 0E8000-0EFFFF |
| 32 | | 18000-1FFFF | 118000-11FFFF | 32 | | E0000-E7FFF | 0E0000-0E7FFF |
| 32 | | 10000-17FFF | 110000-117FFF | 32 | | D8000-DFFFF | 0D8000-0DFFFF |
| 32 | | 08000-0FFFF | 108000-10FFFF | 32 | | D0000-D7FFF | 0D0000-0D7FFF |
| 32 | | 00000-07FFF | 100000-107FFF | 32 | | C8000-CFFFF | 0C8000-0CFFFF |
| This column continues on next page | | | | This column continues on next page | | | |



16-Mbit and 32-Mbit Word-Wide Memory Addressing (Continued)

| Top Boot | | | | Bottom Boot | | | |
|-----------|--|---------|-----------------|-------------|--|--------------|----------------|
| Size (KW) | | 16 Mbit | 32 Mbit | Size (KW) | | 16 Mbit | 32 Mbit |
| 32 | | | 0F8000-0FFFFFFF | 32 | | C0000-C7FFF | 0C0000-0C7FFF |
| 32 | | | 0F0000-0F7FFF | 32 | | B8000-BFFFFF | 0B8000-0BFFFFF |
| 32 | | | 0E8000-0EFFFFF | 32 | | B0000-B7FFF | 0B0000-0B7FFF |
| 32 | | | 0E0000-0E7FFF | 32 | | A8000-AFFFFF | 0A8000-0AFFFFF |
| 32 | | | 0D8000-0DFFFFF | 32 | | A0000-A7FFF | 0A0000-0A7FFF |
| 32 | | | 0D0000-0D7FFF | 32 | | 98000-9FFFFF | 098000-09FFFFF |
| 32 | | | 0C8000-0CFFFFF | 32 | | 90000-97FFF | 090000-097FFF |
| 32 | | | 0C0000-0C7FFF | 32 | | 88000-8FFFFF | 088000-08FFFFF |
| 32 | | | 0B8000-0BFFFFF | 32 | | 80000-87FFF | 080000-087FFF |
| 32 | | | 0B0000-0B7FFF | 32 | | 78000-7FFFFF | 78000-7FFFFF |
| 32 | | | 0A8000-0AFFFFF | 32 | | 70000-77FFF | 70000-77FFF |
| 32 | | | 0A0000-0A7FFF | 32 | | 68000-6FFFFF | 68000-6FFFFF |
| 32 | | | 098000-09FFFFF | 32 | | 60000-67FFF | 60000-67FFF |
| 32 | | | 090000-097FFF | 32 | | 58000-5FFFFF | 58000-5FFFFF |
| 32 | | | 088000-08FFFFF | 32 | | 50000-57FFF | 50000-57FFF |
| 32 | | | 080000-087FFF | 32 | | 48000-4FFFFF | 48000-4FFFFF |
| 32 | | | 078000-07FFFFF | 32 | | 40000-47FFF | 40000-47FFF |
| 32 | | | 070000-077FFF | 32 | | 38000-3FFFFF | 38000-3FFFFF |
| 32 | | | 068000-06FFFFF | 32 | | 30000-37FFF | 30000-37FFF |
| 32 | | | 060000-067FFF | 32 | | 28000-2FFFFF | 28000-2FFFFF |
| 32 | | | 058000-05FFFFF | 32 | | 20000-27FFF | 20000-27FFF |
| 32 | | | 050000-057FFF | 32 | | 18000-1FFFFF | 18000-1FFFFF |
| 32 | | | 048000-04FFFFF | 32 | | 10000-17FFF | 10000-17FFF |
| 32 | | | 040000-047FFF | 32 | | 08000-0FFFFF | 08000-0FFFFF |
| 32 | | | 038000-03FFFFF | 4 | | 07000-07FFF | 07000-07FFF |
| 32 | | | 030000-037FFF | 4 | | 06000-06FFF | 06000-06FFF |
| 32 | | | 028000-02FFFFF | 4 | | 05000-05FFF | 05000-05FFF |
| 32 | | | 020000-027FFF | 4 | | 04000-04FFF | 04000-04FFF |
| 32 | | | 018000-01FFFFF | 4 | | 03000-03FFF | 03000-03FFF |
| 32 | | | 010000-017FFF | 4 | | 02000-02FFF | 02000-02FFF |
| 32 | | | 008000-00FFFFF | 4 | | 01000-01FFF | 01000-01FFF |
| 32 | | | 000000-007FFF | 4 | | 00000-00FFF | 00000-00FFF |



4-Mbit and 8-Mbit Word-Wide Memory Addressing

| Top Boot | | | | Bottom Boot | | | |
|-----------|-------------|-------------|--|-------------|-------------|-------------|--|
| Size (KW) | 4 Mbit | | | Size (KW) | 4 Mbit | 8 Mbit | |
| | 3F000-3FFFF | 7F000-7FFFF | | 32 | | 78000-7FFFF | |
| | 3E000-3EFFF | 7E000-7EFFF | | 32 | | 70000-77FFF | |
| | 3D000-3DFFF | 7D000-7DFFF | | 32 | | 68000-6FFFF | |
| | 3C000-3CFFF | 7C000-7CFFF | | 32 | | 60000-67FFF | |
| | 3B000-3BFFF | 7B000-7BFFF | | 32 | | 58000-5FFFF | |
| | 3A000-3AFFF | 7A000-7AFFF | | 32 | | 50000-57FFF | |
| | 39000-39FFF | 79000-79FFF | | 32 | | 48000-4FFFF | |
| | 38000-38FFF | 78000-78FFF | | 32 | | 40000-47FFF | |
| 4 | 30000-37FFF | 70000-77FFF | | 32 | 38000-3FFFF | 38000-3FFFF | |
| 4 | 28000-2FFFF | 68000-6FFFF | | 32 | 30000-37FFF | 30000-37FFF | |
| 4 | 20000-27FFF | 60000-67FFF | | 32 | 28000-2FFFF | 28000-2FFFF | |
| 4 | 18000-1FFFF | 58000-5FFFF | | 32 | 20000-27FFF | 20000-27FFF | |
| 4 | 10000-17FFF | 50000-57FFF | | 32 | 18000-1FFFF | 18000-1FFFF | |
| 4 | 08000-0FFFF | 48000-4FFFF | | 32 | 10000-17FFF | 10000-17FFF | |
| 4 | 00000-07FFF | 40000-47FFF | | 32 | 08000-0FFFF | 08000-0FFFF | |
| 4 | | 38000-3FFFF | | 4 | 07000-07FFF | 07000-07FFF | |
| 32 | | 30000-37FFF | | 4 | 06000-06FFF | 06000-06FFF | |
| 32 | | 28000-2FFFF | | 4 | 05000-05FFF | 05000-05FFF | |
| 32 | | 20000-27FFF | | 4 | 04000-04FFF | 04000-04FFF | |
| 32 | | 18000-1FFFF | | 4 | 03000-03FFF | 03000-03FFF | |
| 32 | | 10000-17FFF | | 4 | 02000-02FFF | 02000-02FFF | |
| 32 | | 08000-0FFFF | | 4 | 01000-01FFF | 01000-01FFF | |
| 32 | | 00000-07FFF | | 4 | 00000-00FFF | 00000-00FFF | |



16-Mbit, 32-Mbit, and 64-Mbit Word-Wide Memory Addressing

| Top Boot | | | | Bottom Boot | | | |
|------------------------------------|-------------|----------------|-----------------|------------------------------------|---------|---------|----------------|
| Size (KW) | 16 Mbit | 32 Mbit | 64 Mbit | Size (KW) | 16 Mbit | 32 Mbit | 64 Mbit |
| 4 | FF000-FFFFF | 1FF000-1FFFFFF | 3FF000-3FFFFFF | 32 | | | 3F8000-3FFFFFF |
| 4 | FE000-FEFFF | 1FE000-1FEFFF | 3FE000-3FEFFF | 32 | | | 3F0000-3F7FFF |
| 4 | FD000-FDFFF | 1FD000-1FDFFF | 3FD000-3FDFFF | 32 | | | 3E8000-3EFFFF |
| 4 | FC000-FCFFF | 1FC000-1FCFFF | 3FC000-3FCFFF | 32 | | | 3E0000-3E7FFF |
| 4 | FB000-FBFFF | 1FB000-1FBFFF | 3FB000-3FBFFF | 32 | | | 3D8000-3DFFFF |
| 4 | FA000-FAFFF | 1FA000-1FAFFF | 3FA000-3FAFFF | 32 | | | 3D0000-3D7FFF |
| 4 | F9000-F9FFF | 1F9000-1F9FFF | 3F9000-3F9FFF | 32 | | | 3C8000-3CFFFF |
| 4 | F8000-F8FFF | 1F8000-1F8FFF | 3F8000-3F8FFF | 32 | | | 3C0000-3C7FFF |
| 32 | F0000-F7FFF | 1F0000-1F7FFF | 3F0000-3F7FFF | 32 | | | 3B8000-3BFFFF |
| 32 | E8000-EFFFF | 1E8000-1EFFFF | 3E8000-3EFFFF | 32 | | | 3B0000-3B7FFF |
| 32 | E0000-E7FFF | 1E0000-1E7FFF | 3E0000-3E7FFF | 32 | | | 3A8000-3AFFFF |
| 32 | D8000-DFFFF | 1D8000-1DFFFF | 3D8000-3DFFFF | 32 | | | 3A0000-3A7FFF |
| 32 | D0000-D7FFF | 1D0000-1D7FFF | 3D0000-3D7FFF | 32 | | | 398000-39FFFF |
| 32 | C8000-CFFFF | 1C8000-1CFFFF | 3C8000-3CFFFF | 32 | | | 390000-397FFF |
| 32 | C0000-C7FFF | 1C0000-1C7FFF | 3C0000-3C7FFF | 32 | | | 388000-38FFFF |
| 32 | B8000-BFFFF | 1B8000-1BFFFF | 3B8000-3BFFFF | 32 | | | 380000-387FFF |
| 32 | B0000-B7FFF | 1B0000-1B7FFF | 3B0000-3B7FFF | 32 | | | 378000-37FFFF |
| 32 | A8000-AFFFF | 1A8000-1AFFFF | 3A8000-3AFFFF | 32 | | | 370000-377FFF |
| 32 | A0000-A7FFF | 1A0000-1A7FFF | 3A0000-3A7FFF | 32 | | | 368000-36FFFF |
| 32 | 98000-9FFFF | 198000-19FFFF | 398000-39FFFF | 32 | | | 360000-367FFF |
| 32 | 90000-97FFF | 190000-197FFF | 390000-397FFF | 32 | | | 358000-35FFFF |
| 32 | 88000-8FFFF | 188000-18FFFF | 388000-38FFFF | 32 | | | 350000-357FFF |
| 32 | 80000-87FFF | 180000-187FFF | 380000-387FFF | 32 | | | 348000-34FFFF |
| 32 | 78000-77FFF | 178000-177FFF | 378000-377FFF | 32 | | | 340000-347FFF |
| 32 | 70000-77FFF | 170000-177FFF | 370000-377FFF | 32 | | | 338000-33FFFF |
| 32 | 68000-67FFF | 168000-167FFF | 368000-367FFF | 32 | | | 330000-337FFF |
| 32 | 60000-67FFF | 160000-167FFF | 360000-367FFF | 32 | | | 328000-32FFFF |
| 32 | 58000-57FFF | 158000-157FFF | 358000-357FFF | 32 | | | 320000-327FFF |
| 32 | 50000-57FFF | 150000-157FFF | 350000-357FFF | 32 | | | 318000-31FFFF |
| 32 | 48000-47FFF | 148000-147FFF | 348000-347FFF | 32 | | | 310000-317FFF |
| 32 | 40000-47FFF | 140000-147FFF | 340000-347FFF | 32 | | | 308000-30FFFF |
| 32 | 38000-37FFF | 138000-137FFF | 338000-337FFF | 32 | | | 300000-307FFF |
| 32 | 30000-37FFF | 130000-137FFF | 330000-337FFF | 32 | | | 2F8000-2F7FFF |
| 32 | 28000-27FFF | 128000-127FFF | 328000-327FFF | 32 | | | 2F0000-2F7FFF |
| 32 | 20000-27FFF | 120000-127FFF | 320000-327FFF | 32 | | | 2E8000-2E7FFF |
| 32 | 18000-17FFF | 118000-117FFF | 318000-317FFF | 32 | | | 2E0000-2E7FFF |
| 32 | 10000-17FFF | 110000-117FFF | 310000-317FFF | 32 | | | 2D8000-2D7FFF |
| 32 | 08000-07FFF | 108000-107FFF | 308000-307FFF | 32 | | | 2D0000-2D7FFF |
| 32 | 00000-07FFF | 100000-107FFF | 300000-307FFF | 32 | | | 2C8000-2C7FFF |
| 32 | | 0F8000-0FFFFF | 2F8000-2FFFFFFF | 32 | | | 2C0000-2C7FFF |
| 32 | | 0F0000-0F7FFF | 2F0000-2F7FFF | 32 | | | 2B8000-2BFFFF |
| 32 | | 0E8000-0EFFFF | 2E8000-2EFFFF | 32 | | | 2B0000-2B7FFF |
| 32 | | 0E0000-0E7FFF | 2E0000-2E7FFF | 32 | | | 2A8000-2AFFFF |
| 32 | | 0D8000-0DFFFF | 2D8000-2DFFFF | 32 | | | 2A0000-2A7FFF |
| 32 | | 0D0000-0D7FFF | 2D0000-2D7FFF | 32 | | | 298000-29FFFF |
| 32 | | 0C8000-0CFFFF | 2C8000-2CFFFF | 32 | | | 290000-297FFF |
| 32 | | 0C0000-0C7FFF | 2C0000-2C7FFF | 32 | | | 288000-28FFFF |
| 32 | | 0B8000-0BFFFF | 2B8000-2BFFFF | 32 | | | 280000-287FFF |
| 32 | | 0B0000-0B7FFF | 2B0000-2B7FFF | 32 | | | 278000-27FFFF |
| This column continues on next page | | | | This column continues on next page | | | |



16-Mbit, 32-Mbit, and 64-Mbit Word-Wide Memory Addressing (Continued)

| Top Boot | | | | Bottom Boot | | | |
|------------------------------------|---------|---------------|---------------|------------------------------------|-------------|---------------|---------------|
| Size (KW) | 16 Mbit | 32 Mbit | 64 Mbit | Size (KW) | 16 Mbit | 32 Mbit | 64 Mbit |
| 32 | | 0A8000-0AFFFF | 2A8000-2AFFFF | 32 | | | 270000-27FFFF |
| 32 | | 0A0000-0A7FFF | 2A0000-2A7FFF | 32 | | | 268000-26FFFF |
| 32 | | 098000-09FFFF | 298000-29FFFF | 32 | | | 260000-267FFF |
| 32 | | 090000-097FFF | 290000-297FFF | 32 | | | 258000-25FFFF |
| 32 | | 088000-08FFFF | 288000-28FFFF | 32 | | | 250000-257FFF |
| 32 | | 080000-087FFF | 280000-287FFF | 32 | | | 248000-24FFFF |
| 32 | | 078000-07FFFF | 278000-27FFFF | 32 | | | 240000-247FFF |
| 32 | | 070000-077FFF | 270000-277FFF | 32 | | | 238000-23FFFF |
| 32 | | 068000-06FFFF | 268000-26FFFF | 32 | | | 230000-237FFF |
| 32 | | 060000-067FFF | 260000-267FFF | 32 | | | 228000-22FFFF |
| 32 | | 058000-05FFFF | 258000-25FFFF | 32 | | | 220000-227FFF |
| 32 | | 050000-057FFF | 250000-257FFF | 32 | | | 218000-21FFFF |
| 32 | | 048000-04FFFF | 248000-24FFFF | 32 | | | 210000-217FFF |
| 32 | | 040000-047FFF | 240000-247FFF | 32 | | | 208000-20FFFF |
| 32 | | 038000-03FFFF | 238000-23FFFF | 32 | | | 200000-207FFF |
| 32 | | 030000-037FFF | 230000-237FFF | 32 | | 1F8000-1FFFFF | 1F8000-1FFFFF |
| 32 | | 028000-02FFFF | 228000-22FFFF | 32 | | 1F0000-1F7FFF | 1F0000-1F7FFF |
| 32 | | 020000-027FFF | 220000-227FFF | 32 | | 1E8000-1EFFFF | 1E8000-1EFFFF |
| 32 | | 018000-01FFFF | 218000-21FFFF | 32 | | 1E0000-1E7FFF | 1E0000-1E7FFF |
| 32 | | 010000-017FFF | 210000-217FFF | 32 | | 1D8000-1DFFFF | 1D8000-1DFFFF |
| 32 | | 008000-00FFFF | 208000-21FFFF | 32 | | 1D0000-1D7FFF | 1D0000-1D7FFF |
| 32 | | 000000-007FFF | 200000-207FFF | 32 | | 1C8000-1CFFFF | 1C8000-1CFFFF |
| 32 | | | 1F8000-1FFFFF | 32 | | 1C0000-1C7FFF | 1C0000-1C7FFF |
| 32 | | | 1F0000-1F7FFF | 32 | | 1B8000-1BFFFF | 1B8000-1BFFFF |
| 32 | | | 1E8000-1EFFFF | 32 | | 1B0000-1B7FFF | 1B0000-1B7FFF |
| 32 | | | 1E0000-1E7FFF | 32 | | 1A8000-1AFFFF | 1A8000-1AFFFF |
| 32 | | | 1D8000-1DFFFF | 32 | | 1A0000-1A7FFF | 1A0000-1A7FFF |
| 32 | | | 1D0000-1D7FFF | 32 | | 198000-19FFFF | 198000-19FFFF |
| 32 | | | 1C8000-1CFFFF | 32 | | 190000-197FFF | 190000-197FFF |
| 32 | | | 1C0000-1C7FFF | 32 | | 188000-18FFFF | 188000-18FFFF |
| 32 | | | 1B8000-1BFFFF | 32 | | 180000-187FFF | 180000-187FFF |
| 32 | | | 1B0000-1B7FFF | 32 | | 178000-17FFFF | 178000-17FFFF |
| 32 | | | 1A8000-1AFFFF | 32 | | 170000-177FFF | 170000-177FFF |
| 32 | | | 1A0000-1A7FFF | 32 | | 168000-16FFFF | 168000-16FFFF |
| 32 | | | 198000-19FFFF | 32 | | 160000-167FFF | 160000-167FFF |
| 32 | | | 190000-197FFF | 32 | | 158000-15FFFF | 158000-15FFFF |
| 32 | | | 188000-18FFFF | 32 | | 150000-157FFF | 150000-157FFF |
| 32 | | | 180000-187FFF | 32 | | 148000-14FFFF | 148000-14FFFF |
| 32 | | | 178000-177FFF | 32 | | 140000-147FFF | 140000-147FFF |
| 32 | | | 170000-177FFF | 32 | | 138000-13FFFF | 138000-13FFFF |
| 32 | | | 168000-16FFFF | 32 | | 130000-137FFF | 130000-137FFF |
| 32 | | | 160000-167FFF | 32 | | 128000-12FFFF | 128000-12FFFF |
| 32 | | | 158000-15FFFF | 32 | | 120000-127FFF | 120000-127FFF |
| 32 | | | 150000-157FFF | 32 | | 118000-11FFFF | 118000-11FFFF |
| 32 | | | 148000-14FFFF | 32 | | 110000-117FFF | 110000-117FFF |
| 32 | | | 140000-147FFF | 32 | | 108000-10FFFF | 108000-10FFFF |
| 32 | | | 138000-13FFFF | 32 | | 100000-107FFF | 100000-107FFF |
| 32 | | | 130000-137FFF | 32 | F8000-FFFFF | F8000-FFFFF | F8000-FFFFF |
| 32 | | | 128000-12FFFF | 32 | F0000-F7FFF | F0000-F7FFF | F0000-F7FFF |
| 32 | | | 120000-127FFF | 32 | E8000-EFFFF | E8000-EFFFF | E8000-EFFFF |
| 32 | | | 118000-11FFFF | 32 | E0000-E7FFF | E0000-E7FFF | E0000-E7FFF |
| 32 | | | 110000-117FFF | 32 | D8000-DFFFF | D8000-DFFFF | D8000-DFFFF |
| 32 | | | 108000-10FFFF | 32 | D0000-D7FFF | D0000-D7FFF | D0000-D7FFF |
| 32 | | | 100000-107FFF | 32 | C8000-CFFFF | C8000-CFFFF | C8000-CFFFF |
| This column continues on next page | | | | This column continues on next page | | | |



16-Mbit, 32-Mbit, and 64-Mbit Word-Wide Memory Addressing (Continued)

| Top Boot | | | | Bottom Boot | | | |
|-----------|---------|---------|----------------|-------------|-------------|-------------|-------------|
| Size (KW) | 16 Mbit | 32 Mbit | 64 Mbit | Size (KW) | 16 Mbit | 32 Mbit | 64 Mbit |
| 32 | | | 0F8000-0FFFFFF | 32 | C0000-C7FFF | C0000-C7FFF | C0000-C7FFF |
| 32 | | | 0F0000-0F7FFF | 32 | B8000-BFFFF | B8000-BFFFF | B8000-BFFFF |
| 32 | | | 0E8000-0EFFFF | 32 | B0000-B7FFF | B0000-B7FFF | B0000-B7FFF |
| 32 | | | 0E0000-0E7FFF | 32 | A8000-AFFFF | A8000-AFFFF | A8000-AFFFF |
| 32 | | | 0D8000-0DFFFF | 32 | A0000-A7FFF | A0000-A7FFF | A0000-A7FFF |
| 32 | | | 0D0000-0D7FFF | 32 | 98000-9FFFF | 98000-9FFFF | 98000-9FFFF |
| 32 | | | 0C8000-0CFFFF | 32 | 90000-97FFF | 90000-97FFF | 90000-97FFF |
| 32 | | | 0C0000-0C7FFF | 32 | 88000-8FFFF | 88000-8FFFF | 88000-8FFFF |
| 32 | | | 0B8000-0BFFFF | 32 | 80000-87FFF | 80000-87FFF | 80000-87FFF |
| 32 | | | 0B0000-0B7FFF | 32 | 78000-7FFFF | 78000-7FFFF | 78000-7FFFF |
| 32 | | | 0A8000-0AFFFF | 32 | 70000-77FFF | 70000-77FFF | 70000-77FFF |
| 32 | | | 0A0000-0A7FFF | 32 | 68000-6FFFF | 68000-6FFFF | 68000-6FFFF |
| 32 | | | 098000-09FFFF | 32 | 60000-67FFF | 60000-67FFF | 60000-67FFF |
| 32 | | | 090000-097FFF | 32 | 58000-5FFFF | 58000-5FFFF | 58000-5FFFF |
| 32 | | | 088000-08FFFF | 32 | 50000-57FFF | 50000-57FFF | 50000-57FFF |
| 32 | | | 080000-087FFF | 32 | 48000-4FFFF | 48000-4FFFF | 48000-4FFFF |
| 32 | | | 078000-077FFF | 32 | 40000-47FFF | 40000-47FFF | 40000-47FFF |
| 32 | | | 070000-077FFF | 32 | 38000-3FFFF | 38000-3FFFF | 38000-3FFFF |
| 32 | | | 068000-06FFFF | 32 | 30000-37FFF | 30000-37FFF | 30000-37FFF |
| 32 | | | 060000-067FFF | 32 | 28000-2FFFF | 28000-2FFFF | 28000-2FFFF |
| 32 | | | 058000-05FFFF | 32 | 20000-27FFF | 20000-27FFF | 20000-27FFF |
| 32 | | | 050000-057FFF | 32 | 18000-1FFFF | 18000-1FFFF | 18000-1FFFF |
| 32 | | | 048000-04FFFF | 32 | 10000-17FFF | 10000-17FFF | 10000-17FFF |
| 32 | | | 040000-047FFF | 32 | 08000-0FFFF | 08000-0FFFF | 08000-0FFFF |
| 32 | | | 038000-03FFFF | 4 | 07000-07FFF | 07000-07FFF | 07000-07FFF |
| 32 | | | 030000-037FFF | 4 | 06000-06FFF | 06000-06FFF | 06000-06FFF |
| 32 | | | 028000-02FFFF | 4 | 05000-05FFF | 05000-05FFF | 05000-05FFF |
| 32 | | | 020000-027FFF | 4 | 04000-04FFF | 04000-04FFF | 04000-04FFF |
| 32 | | | 018000-01FFFF | 4 | 03000-03FFF | 03000-03FFF | 03000-03FFF |
| 32 | | | 010000-017FFF | 4 | 02000-02FFF | 02000-02FFF | 02000-02FFF |
| 32 | | | 008000-00FFFF | 4 | 01000-01FFF | 01000-01FFF | 01000-01FFF |
| 32 | | | 000000-007FFF | 4 | 00000-00FFF | 00000-00FFF | 00000-00FFF |



Appendix D Byte-Wide Memory Map Diagrams

8-Mbit and 16-Mbit Byte-Wide Memory Addressing

| Top Boot | | | Bottom Boot | | |
|------------------------------------|-------------|----------------|------------------------------------|--------|----------------|
| Size (KB) | 8 Mbit | 16 Mbit | Size (KB) | 8 Mbit | 16 Mbit |
| 8 | FE000-FFFFF | 1FE000-1FFFFFF | 64 | | |
| 8 | FC000-FDFFF | 1FC000-1FDFFF | 64 | | |
| 8 | FA000-FBFFF | 1FA000-1FBFFF | 64 | | |
| 8 | F8000-F9FFF | 1F8000-1F9FFF | 64 | | |
| 8 | F6000-F7FFF | 1F6000-1F7FFF | 64 | | |
| 8 | F4000-F5FFF | 1F4000-1F5FFF | 64 | | |
| 8 | F2000-F3FFF | 1F2000-1F3FFF | 64 | | |
| 8 | F0000-F1FFF | 1F0000-1F1FFF | 64 | | |
| 64 | E0000-EFFFF | 1E0000-1EFFFF | 64 | | |
| 64 | D0000-DFFFF | 1D0000-1DFFFF | 64 | | |
| 64 | C0000-CFFFF | 1C0000-1CFFFF | 64 | | |
| 64 | B0000-BFFFF | 1B0000-1BFFFF | 64 | | |
| 64 | A0000-AFFFF | 1A0000-1AFFFF | 64 | | |
| 64 | 90000-9FFFF | 190000-19FFFF | 64 | | |
| 64 | 80000-8FFFF | 180000-18FFFF | 64 | | |
| 64 | 70000-7FFFF | 170000-17FFFF | 64 | | |
| 64 | 60000-6FFFF | 160000-16FFFF | 64 | | |
| 64 | 50000-5FFFF | 150000-15FFFF | 64 | | |
| 64 | 40000-4FFFF | 140000-14FFFF | 64 | | |
| 64 | 30000-3FFFF | 130000-13FFFF | 64 | | |
| 64 | 20000-2FFFF | 120000-12FFFF | 64 | | |
| 64 | 10000-1FFFF | 110000-11FFFF | 64 | | |
| 64 | 00000-0FFFF | 100000-10FFFF | 64 | | |
| 64 | | 0F0000-0FFFFFF | 64 | | |
| 64 | | 0E0000-0EFFFF | 64 | | |
| 64 | | 0D0000-0DFFFF | 64 | | |
| 64 | | 0C0000-0CFFFF | 64 | | |
| 64 | | 0B0000-0BFFFF | 64 | | |
| 64 | | 0A0000-0AFFFF | 64 | | |
| 64 | | 090000-09FFFF | 64 | | |
| 64 | | 080000-08FFFF | 64 | | |
| 64 | | 070000-07FFFF | 64 | | |
| 64 | | 060000-06FFFF | 64 | | 1F0000-1FFFFFF |
| 64 | | 050000-05FFFF | 64 | | 1E0000-1EFFFF |
| 64 | | 040000-04FFFF | 64 | | 1D0000-1DFFFF |
| 64 | | 030000-03FFFF | 64 | | 1C0000-1CFFFF |
| 64 | | 020000-02FFFF | 64 | | 1B0000-1BFFFF |
| 64 | | 010000-01FFFF | 64 | | 1A0000-1AFFFF |
| 64 | | 000000-00FFFF | 64 | | 190000-19FFFF |
| This column continues on next page | | | This column continues on next page | | |



8-Mbit and 16-Mbit Byte-Wide Memory Addressing (Continued)

| Top Boot | | | Bottom Boot | | |
|-----------|--------|---------|-------------|-------------|---------------|
| Size (KB) | 8 Mbit | 16 Mbit | Size (KB) | 8 Mbit | 16 Mbit |
| 64 | | | 64 | | 180000-18FFFF |
| 64 | | | 64 | | 170000-17FFFF |
| 64 | | | 64 | | 160000-16FFFF |
| 64 | | | 64 | | 150000-15FFFF |
| 64 | | | 64 | | 140000-14FFFF |
| 64 | | | 64 | | 130000-13FFFF |
| 64 | | | 64 | | 120000-12FFFF |
| 64 | | | 64 | | 110000-11FFFF |
| 64 | | | 64 | | 100000-10FFFF |
| 64 | | | 64 | F0000-FFFFF | 0F0000-0FFFFF |
| 64 | | | 64 | E0000-EFFFF | 0E0000-0EFFFF |
| 64 | | | 64 | D0000-DFFFF | 0D0000-0DFFFF |
| 64 | | | 64 | C0000-CFFFF | 0C0000-0CFFFF |
| 64 | | | 64 | B0000-BFFFF | 0B0000-0BFFFF |
| 64 | | | 64 | A0000-AFFFF | 0A0000-0AFFFF |
| 64 | | | 64 | 90000-9FFFF | 090000-09FFFF |
| 64 | | | 64 | 80000-8FFFF | 080000-08FFFF |
| 64 | | | 64 | 70000-7FFFF | 070000-07FFFF |
| 64 | | | 64 | 60000-6FFFF | 060000-06FFFF |
| 64 | | | 64 | 50000-5FFFF | 050000-05FFFF |
| 64 | | | 64 | 40000-4FFFF | 040000-04FFFF |
| 64 | | | 64 | 30000-3FFFF | 030000-03FFFF |
| 64 | | | 64 | 20000-2FFFF | 020000-02FFFF |
| 64 | | | 64 | 10000-1FFFF | 010000-01FFFF |
| 64 | | | 8 | 0E000-0FFFF | 00E000-00FFFF |
| 64 | | | 8 | 0C000-0DFFF | 00C000-00DFFF |
| 64 | | | 8 | 0A000-0BFFF | 00A000-00BFFF |
| 64 | | | 8 | 08000-09FFF | 008000-009FFF |
| 64 | | | 8 | 06000-07FFF | 006000-007FFF |
| 64 | | | 8 | 04000-05FFF | 004000-005FFF |
| 64 | | | 8 | 02000-03FFF | 002000-003FFF |
| 64 | | | 8 | 00000-01FFF | 000000-001FFF |

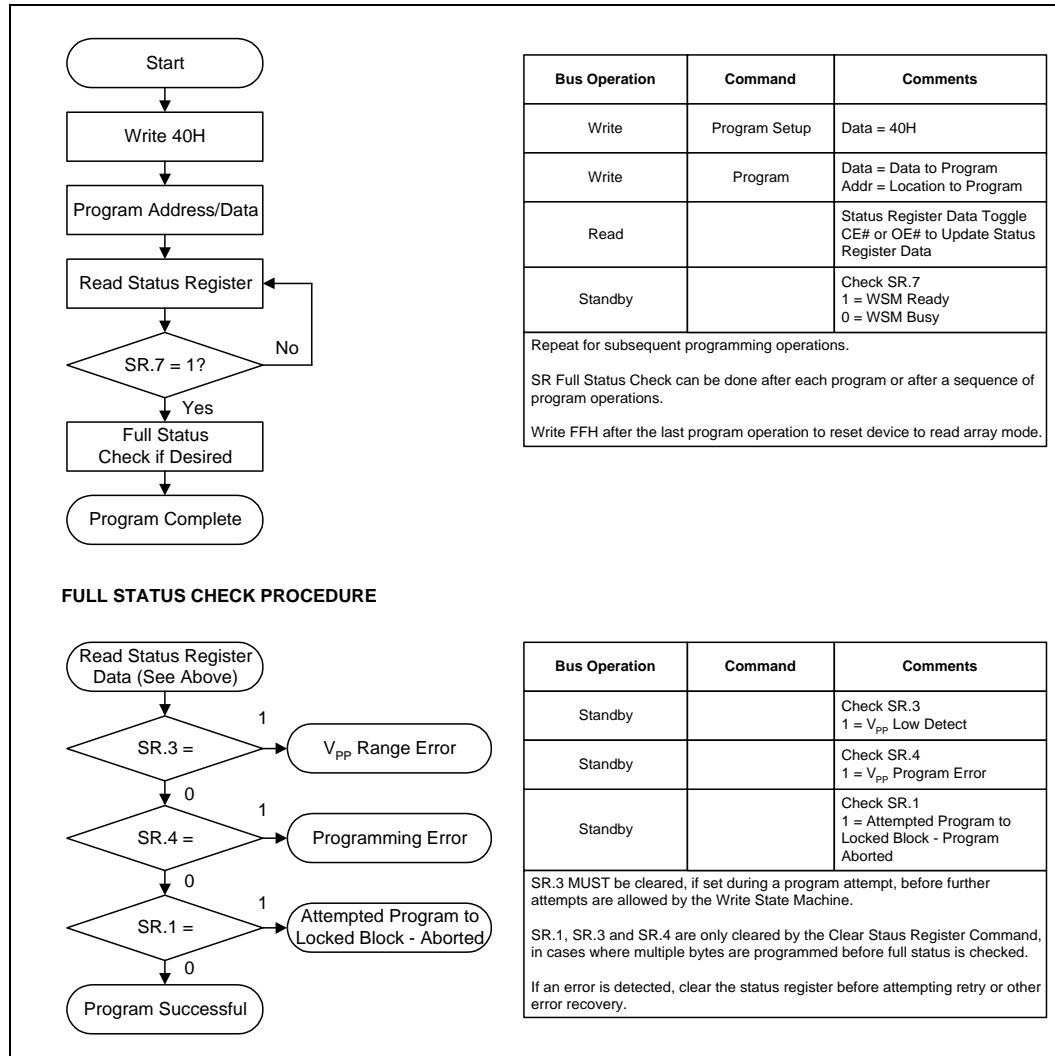


4-Mbit Byte-Wide Memory Addressing

| Top Boot | | | | Bottom Boot | | | |
|-----------|-------------|--|--|-------------|-------------|--|--|
| Size (KB) | 4 Mbit | | | Size (KB) | 4 Mbit | | |
| 8 | 7E000-7FFFF | | | 64 | 70000-7FFFF | | |
| 8 | 7C000-7DFFF | | | 64 | 60000-6FFFF | | |
| 8 | 7A000-7BFFF | | | 64 | 50000-5FFFF | | |
| 8 | 78000-79FFF | | | 64 | 40000-4FFFF | | |
| 8 | 76000-77FFF | | | 64 | 30000-3FFFF | | |
| 8 | 74000-75FFF | | | 64 | 20000-2FFFF | | |
| 8 | 72000-73FFF | | | 64 | 10000-1FFFF | | |
| 8 | 70000-71FFF | | | 8 | 0E000-0FFFF | | |
| 64 | 60000-6FFFF | | | 8 | 0C000-0DFFF | | |
| 64 | 50000-5FFFF | | | 8 | 0A000-0BFFF | | |
| 64 | 40000-4FFFF | | | 8 | 08000-09FFF | | |
| 64 | 30000-3FFFF | | | 8 | 06000-07FFF | | |
| 64 | 20000-2FFFF | | | 8 | 04000-05FFF | | |
| 64 | 10000-1FFFF | | | 8 | 02000-03FFF | | |
| 64 | 00000-0FFFF | | | 8 | 00000-01FFF | | |

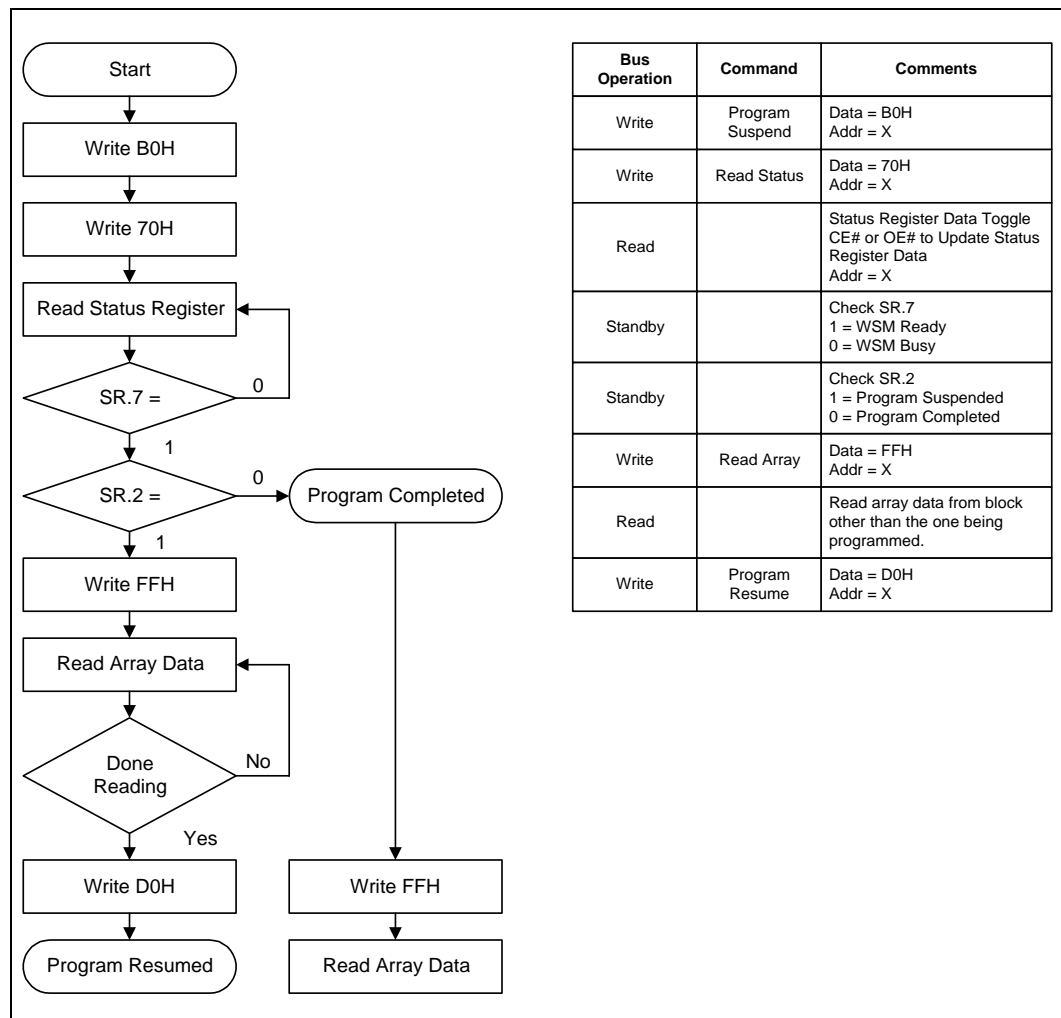
Appendix E Program and Erase Flowcharts

Figure 10. Program Flowchart



0580_E1

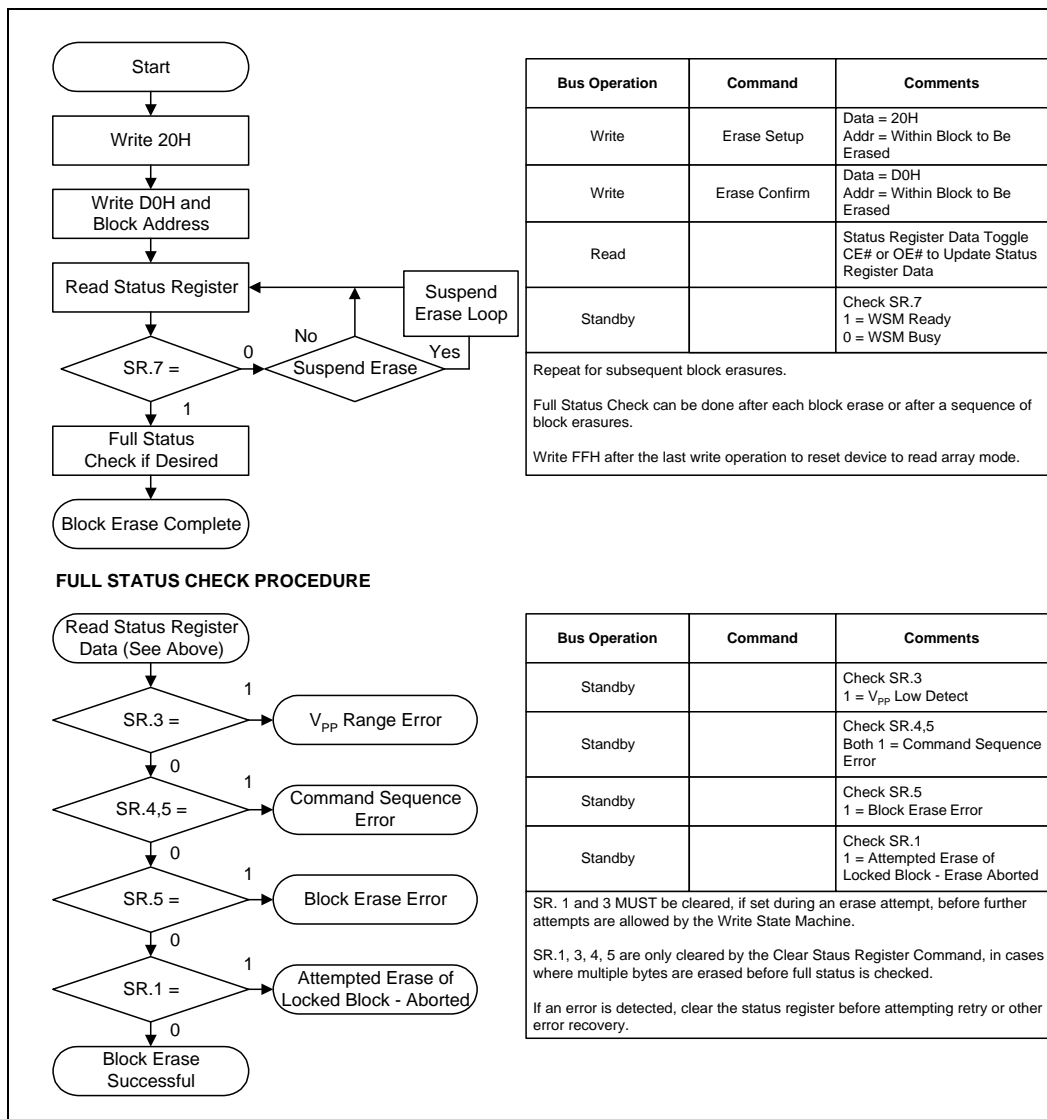
Figure 11. Program Suspend/Resume Flowchart



| Bus Operation | Command | Comments |
|---------------|-----------------|---|
| Write | Program Suspend | Data = B0H Addr = X |
| Write | Read Status | Data = 70H Addr = X |
| Read | | Status Register Data Toggle CE# or OE# to Update Status Register Data Addr = X |
| Standby | | Check SR.7 1 = WSM Ready 0 = WSM Busy |
| Standby | | Check SR.2 1 = Program Suspended 0 = Program Completed |
| Write | Read Array | Data = FFH Addr = X |
| Read | | Read array data from block other than the one being programmed. |
| Write | Program Resume | Data = D0H Addr = X |

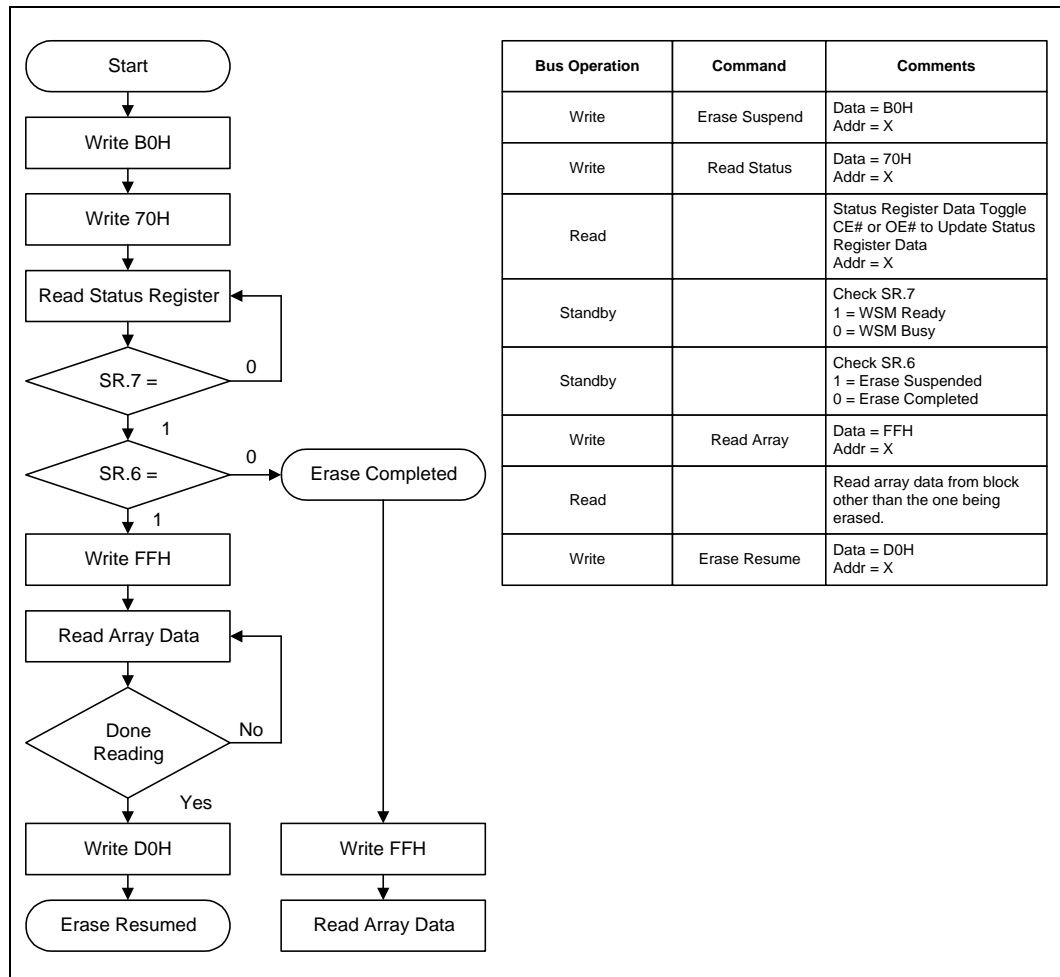
0580_E2

Figure 12. Block Erase Flowchart



0580_E3

Figure 13. Erase Suspend/Resume Flowchart



0580_E4

