

LOW INPUT CURRENT HIGH GAIN SPLIT DARLINGTON OPTOCOUPLEDERS

SINGLE CHANNEL:
DUAL CHANNEL:

HCPL-0700
HCPL-0730

HCPL-0701
HCPL-0731

DESCRIPTION

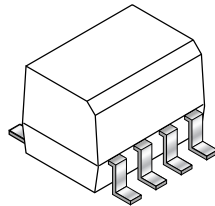
The HCPL-0700, HCPL-0701, HCPL-0730 and HCPL-0731 optocouplers consist of an AlGaAs LED optically coupled to a high gain split darlington photodetector housed in a compact 8-pin small outline package. The HCPL-0730 and HCPL-0731 devices have two channels per package for optimum mounting density.

The split darlington configuration separating the input photodiode and the first stage gain from the output transistor permits lower output saturation voltage and higher speed operation than possible with conventional darlington phototransistor optocoupler.

The combination of a very low input current of 0.5 mA and a high current transfer ratio of 2000% makes this family particularly useful for input interface to MOS, CMOS, LSTTL and EIA RS232C, while output compatibility is ensured to CMOS as well as high fan-out TTL requirements.

FEATURES

- Low input current – 0.5 mA
- Superior CTR – 2000%
- Superior CMR – 10 kV/μs
- CTR guaranteed 0-70°C
- U.L. Recognized (file# E90700)
- VDE 0884 recognized (file# 136616)
– approval pending for HCPL-0730/0731
- BSI recognized (file# 8661, 8662)
– HCPL-0700/0701 only



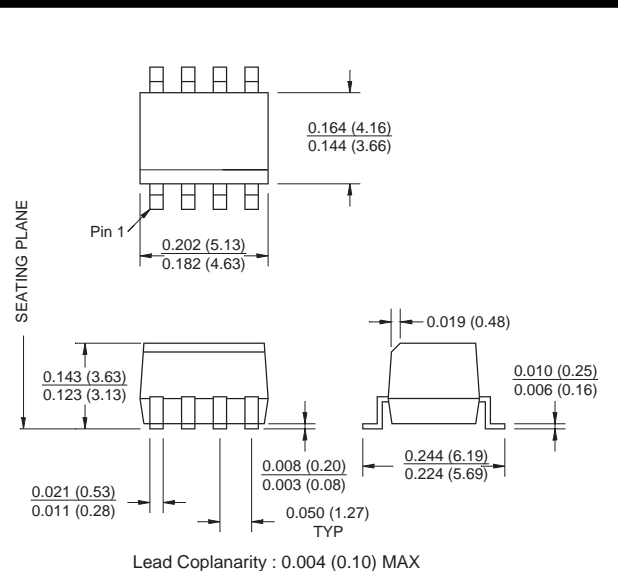
APPLICATIONS

- Digital logic ground isolation
- Telephone ring detector
- EIA-RS-232C line receiver
- High common mode noise line receiver
- μP bus isolation
- Current loop receiver

TRUTH TABLE

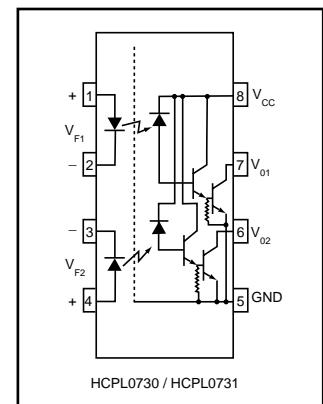
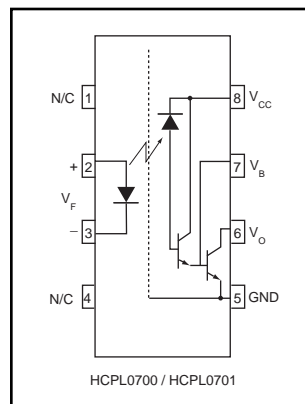
LED	V _O
ON	LOW
OFF	HIGH

PACKAGE DIMENSIONS



NOTE

All dimensions are in inches (millimeters)



**SINGLE CHANNEL:
DUAL CHANNEL:**

**HCPL-0700
HCPL-0730**

**HCPL-0701
HCPL-0731**

ABSOLUTE MAXIMUM RATINGS ($T_A = 25^\circ\text{C}$ unless otherwise specified)

Parameter	Symbol	Value	Units
Storage Temperature	T_{STG}	-40 to +125	$^\circ\text{C}$
Operating Temperature	T_{OPR}	-40 to +85	$^\circ\text{C}$
Reflow Temperature Profile (Refer to fig. 11)			
EMITTER			
DC/Average Forward Input Current	I_F (avg)	20	mA
Peak Forward Input Current (50% duty cycle, 1 ms P.W.)	I_F (pk)	40	mA
Peak Transient Input Current - ($\leq 1 \mu\text{s}$ P.W., 300 pps)	I_F (trans)	1.0	A
Reverse Input Voltage	V_R	5	V
Input Power Dissipation	P_D	35	mW
DETECTOR			
Average Output Current (Pin 6)	I_O (avg)	60	mA
Emitter-Base Reverse Voltage	HCPL-0700/HCPL-0701 V_{EBR}	0.5	V
Supply Voltage, Output Voltage	HCPL-0700/HCPL-0730 HCPL-0701/HCPL-0731 V_{CC}, V_O	-0.5 to 7 -0.5 to 18	V
Output power dissipation	P_D	100	mW

ELECTRICAL CHARACTERISTICS ($T_A = 0$ to 70°C Unless otherwise specified)

INDIVIDUAL COMPONENT CHARACTERISTICS

Parameter	Test Conditions	Symbol	Device	Min	Typ**	Max	Unit
EMITTER Input Forward Voltage	$I_F = 1.6\text{mA}$ $T_A = 25^\circ\text{C}$	V_F	HCLP-0700/01	1.0	1.25	1.7	V
			HCLP-0730/31		1.35		
			All		1.75		
Input Reverse Breakdown Voltage	$(T_A = 25^\circ\text{C}, I_R = 10 \mu\text{A})$	BV_R	All	5.0			
DETECTOR Logic high output current	$(I_F = 0 \text{ mA}, V_O = V_{CC} = 18 \text{ V})$	I_{OH}	HCPL-0701/31		0.01	100	μA
	$(I_F = 0 \text{ mA}, V_O = V_{CC} = 7 \text{ V})$		HCPL-0700/30		0.01	250	
Logic Low Supply Current	$I_F = 1.6 \text{ mA}, V_O = \text{Open}, V_{CC} = 18\text{V}$ $I_{F1} = I_{F2} = 1.6\text{mA}$ $V_{O1} = V_{O2} = \text{Open}$	I_{CCL}	HCPL-0700/01		0.4	1.5	mA
			HCPL-0730		0.8	3	
			HCPL-0731		1		
Logic High Supply Current	$I_F = 0 \text{ mA}, V_O = \text{Open}, V_{CC} = 18\text{V}$ $I_{F1} = I_{F2} = 0,$ $V_{O1} = V_{O2} = \text{Open},$	I_{CCH}	HCPL-0700/01			10	μA
			HCPL-0730		0.001	20	
			HCPL-0731		0.01		

SINGLE CHANNEL:	HCPL-0700	HCPL-0701
DUAL CHANNEL:	HCPL-0730	HCPL-0731

TRANSFER CHARACTERISTICS ($T_A = 0$ to 70°C Unless otherwise specified)							
Parameter	Test Conditions	Symbol	Device	Min	Typ**	Max	Unit
COUPLED Current transfer ratio (Notes 1,2)	($I_F = 0.5\text{ mA}$, $V_O = 0.4\text{ V}$, $V_{CC} = 4.5\text{V}$)	CTR	HCPL-0701/31	400		5000	%
			HCPL-0700	300		2600	
	$I_F = 1.6\text{ mA}$, $V_O = 0.4\text{ V}$, $V_{CC} = 4.5\text{V}$		HCPL-0701	500		2600	
			HCPL-0730	300		5000	
			HCPL-0731	500		5000	
Logic low output voltage output voltage	($I_F = 0.5\text{ mA}$, $I_O = 2\text{ mA}$, $V_{CC} = 4.5\text{V}$)	V_{OL}	HCPL-0701 HCPL-0731			0.4	V
	($I_F = 1.6\text{ mA}$, $I_O = 8\text{ mA}$, $V_{CC} = 4.5\text{V}$)					0.4	
	($I_F = 5\text{ mA}$, $I_O = 15\text{ mA}$, $V_{CC} = 4.5\text{V}$)					0.4	
	($I_F = 12\text{ mA}$, $I_O = 24\text{ mA}$, $V_{CC} = 4.5\text{V}$)					0.4	
	($I_F = 1.6\text{ mA}$, $I_O = 4.8\text{ mA}$, $V_{CC} = 4.5\text{V}$)		HCPL-0700/0730			0.4	

ISOLATION CHARACTERISTICS ($T_A = 0$ to 70°C Unless otherwise specified)						
Characteristics	Test Conditions	Symbol	Min	Typ**	Max	Unit
Input-output insulation leakage current	(Relative humidity = 45%) ($T_A = 25^\circ\text{C}$, $t = 5\text{ s}$) ($V_{I-O} = 3000\text{ VDC}$) (Note 4)	I_{I-O}			1.0	μA
Withstand insulation test voltage	($R_H \leq 50\%$, $T_A = 25^\circ\text{C}$) (Note 4, 5) ($t = 1\text{ min.}$)	V_{ISO}	2500			V_{RMS}
Resistance (input to output)	(Note 4) ($V_{I-O} = 500\text{ VDC}$)	R_{I-O}		10^{12}		Ω

** All typicals at $T_A = 25^\circ\text{C}$

**SINGLE CHANNEL:
DUAL CHANNEL:**

**HCPL-0700
HCPL-0730**

**HCPL-0701
HCPL-0731**

SWITCHING CHARACTERISTICS ($T_A = 0$ to 70°C unless otherwise specified., $V_{CC} = 5\text{ V}$)

Parameter	Test Conditions	Symbol	Device	Min	Typ**	Max	Unit	
Propagation delay time to logic low (Note 2) (Fig. 14)	$(R_L = 4.7\text{ k}\Omega, I_F = 0.5\text{ mA})$ $T_A = 25^\circ\text{C}$	T_{PHL}	HCPL-0701			30	μs	
			HCPL-0731			120		
			HCPL-0701		3	25		
			HCPL-0731		5	100		
	$(R_L = 270\ \Omega, I_F = 12\text{ mA})$ $T_A = 25^\circ\text{C}$		HCPL-0701					2
			HCPL-0731					3
			HCPL-0701		0.3	1		
			HCPL-0731		0.4	2		
	$(R_L = 2.2\text{ k}\Omega, I_F = 1.6\text{ mA})$ $T_A = 25^\circ\text{C}$		HCPL-0700					15
			HCPL-0730/0731					25
			HCPL-0700		1	10		
			HCPL-0730/0731		2	20		
Propagation delay time to logic high (Note 2) (Fig. 14)	$(R_L = 4.7\text{ k}\Omega, I_F = 0.5\text{ mA})$ $T_A = 25^\circ\text{C}$	T_{PLH}	HCPL-0701/31			90	μs	
			HCPL-0701/31		12	60		
	$(R_L = 270\ \Omega, I_F = 12\text{ mA})$ $T_A = 25^\circ\text{C}$		HCPL-0701			10		
			HCPL-0731			15		
	$T_A = 25^\circ\text{C}$		HCPL-0701		1.6	7		
			HCPL-0731		1.6	10		
	$(R_L = 2.2\text{ k}\Omega, I_F = 1.6\text{ mA})$ $T_A = 25^\circ\text{C}$		HCPL-0700/30/31					50
			HCPL-0700/30/31		7	35		
Common mode transient immunity at logic high	$(I_F = 0\text{ mA}, V_{CM} = 10\text{ V}_{P-P})$ $T_A = 25^\circ\text{C}$ ($R_L = 2.2\text{ k}\Omega$) (Note 3) (Fig. 15)	$ CM_H $	ALL	1,000	10,000		$\text{V}/\mu\text{s}$	
Common mode transient immunity at logic low	$(I_F = 1.6\text{ mA}, V_{CM} = 10\text{ V}_{P-P}, R_L = 2.2\text{ k}\Omega)$ $T_A = 25^\circ\text{C}$ (Note 3) (Fig. 15)	$ CM_L $	ALL	1,000	10,000		$\text{V}/\mu\text{s}$	

NOTES

- Current Transfer Ratio is defined as a ratio of output collector current, I_O , to the forward LED input current, I_F times 100%.
- Pin 7 open. Use of a resistor between pins 5 and 7 will decrease gain and delay time.
- Common mode transient immunity in logic high level is the maximum tolerable (positive) dV_{CM}/dt on the leading edge of the common mode pulse signal, V_{CM} , to assure that the output will remain in a logic high state (i.e., $V_O > 2.0\text{ V}$). Common mode transient immunity in logic low level is the maximum tolerable (negative) dV_{CM}/dt on the trailing edge of the common mode pulse signal, V_{CM} , to assure that the output will remain in a logic low state (i.e., $V_O < 0.8\text{ V}$).
- Device is considered a two terminal device: Pins 1, 2, 3 and 4 are shorted together and Pins 5, 6, 7 and 8 are shorted together.
- 2500 VAC RMS for 1 minute duration is equivalent to 3000 VAC RMS for 1 second duration.

** All typicals at $T_A = 25^\circ\text{C}$

SINGLE CHANNEL:
DUAL CHANNEL:

HCPL-0700
HCPL-0730

HCPL-0701
HCPL-0731

TYPICAL PERFORMANCE CURVES

Fig. 1 Propagation Delay vs. Temperature (HCPL-0700, HCPL-0701)

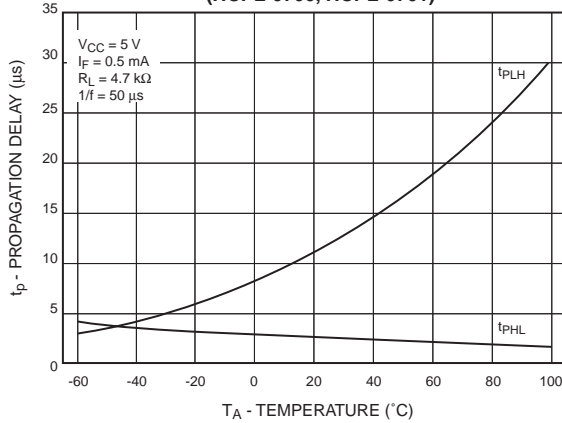


Fig. 2 Propagation Delay vs. Temperature (HCPL-0700, HCPL-0701)

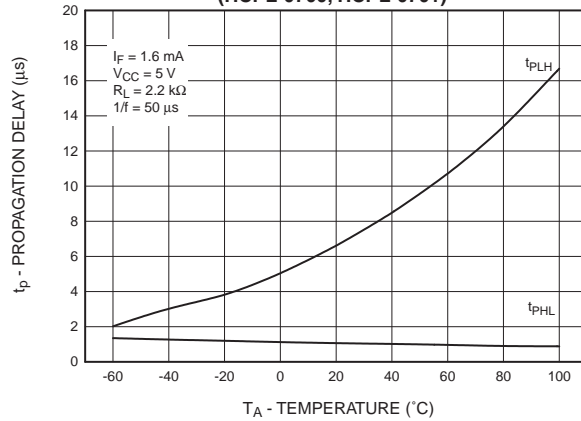


Fig. 3 Propagation Delay vs. Temperature (HCPL-0700, HCPL-0701)

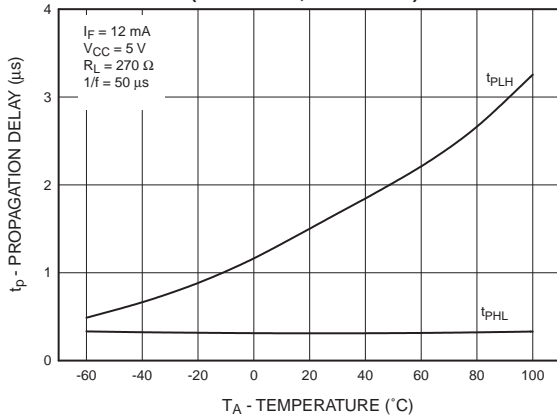


Fig. 4 Logic High Output Current vs. Temperature (HCPL-0700, HCPL-0701)

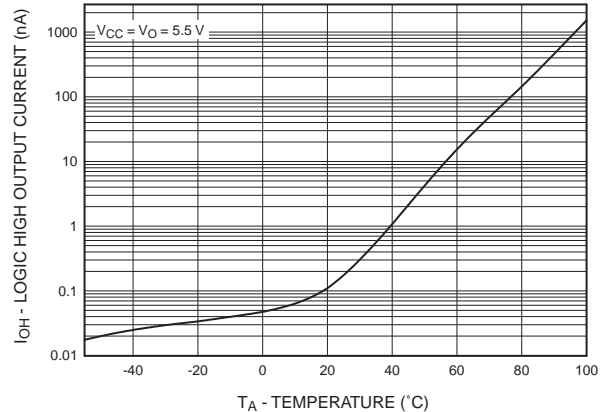


Fig. 5 Propagation Delay vs. Input Forward Current (HCPL-0730, HCPL-0731)

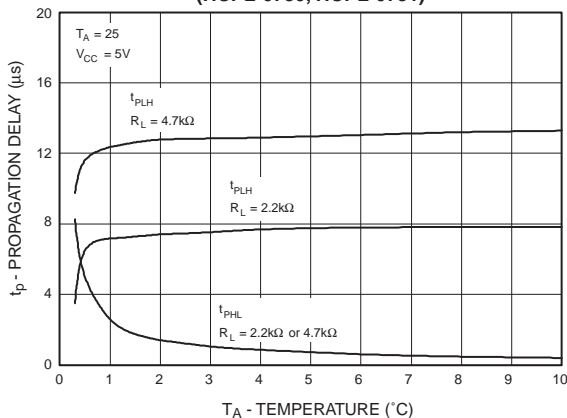
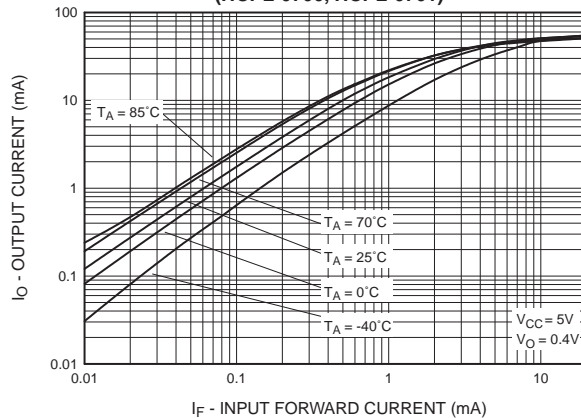


Fig. 6 Output Current vs. Input Forward Current (HCPL-0700, HCPL-0701)



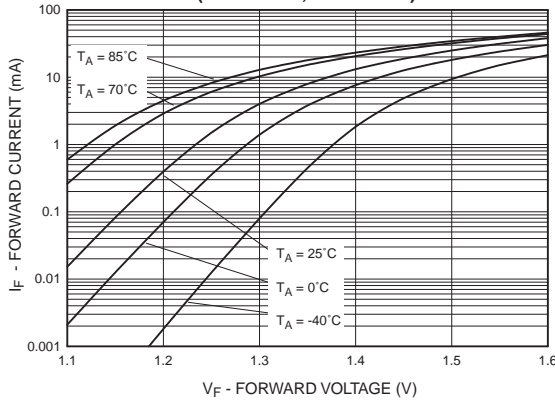
**SINGLE CHANNEL:
DUAL CHANNEL:**

**HCPL-0700
HCPL-0730**

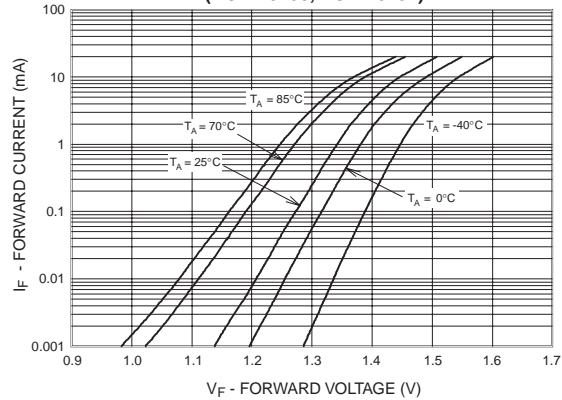
**HCPL-0701
HCPL-0731**

TYPICAL PERFORMANCE CURVES

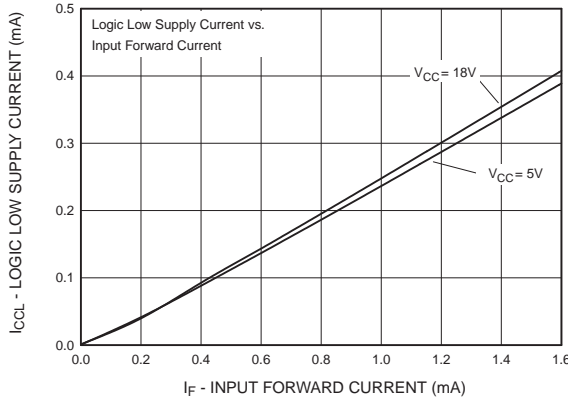
**Fig. 7 Input Forward Current vs. Forward Voltage
(HCPL-0700, HCPL-0701)**



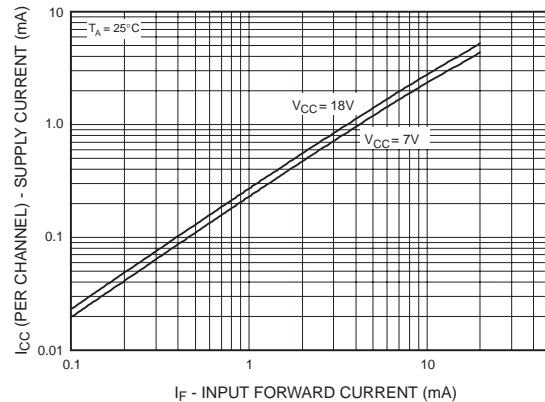
**Fig. 8 Input Forward Current vs. Forward Voltage
(HCPL-0730, HCPL-0731)**



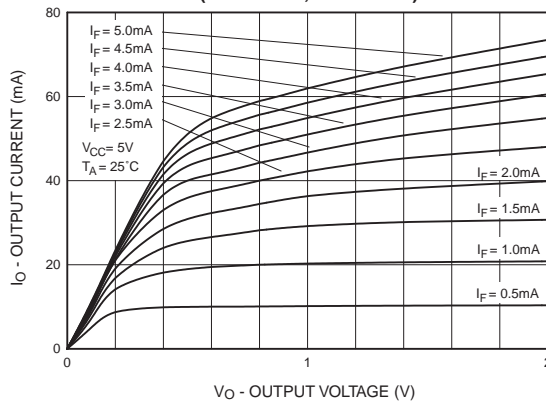
**Fig. 9 Logic Low Supply Current vs. Input Forward Current
(HCPL-0700, HCPL-0701)**



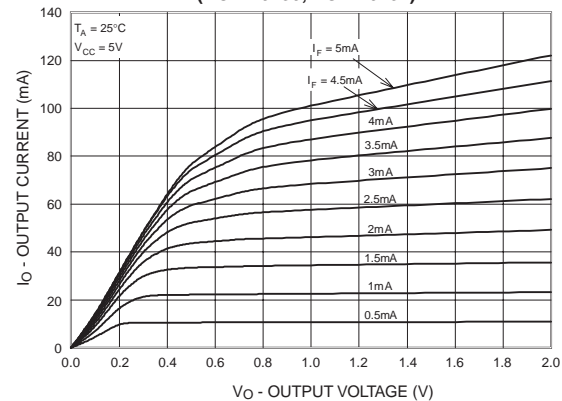
**Fig. 10 Supply Current vs. Input Forward Current
(HCPL-0730, HCPL-0731)**



**Fig. 11 DC Transfer Characteristics
(HCPL-0700, HCPL-0701)**



**Fig. 12 DC Transfer Characteristics
(HCPL-0730, HCPL-0731)**



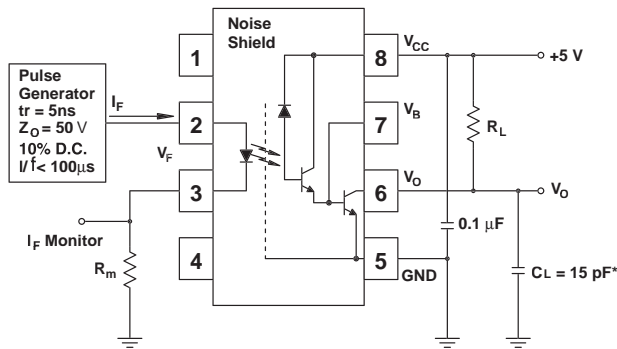
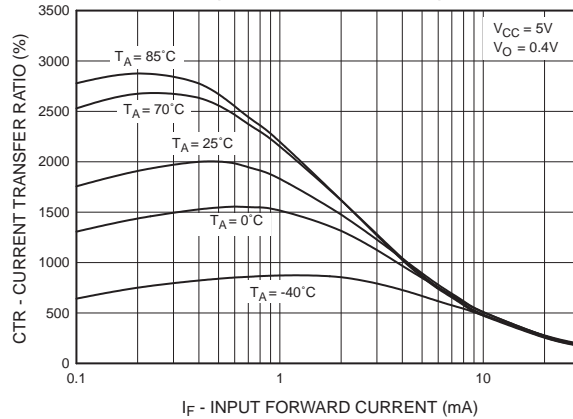
**SINGLE CHANNEL:
DUAL CHANNEL:**

**HCPL-0700
HCPL-0730**

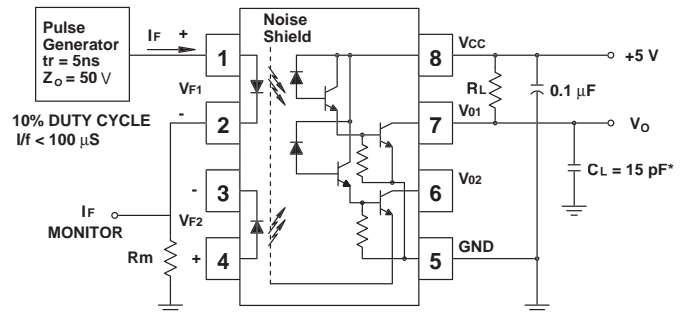
**HCPL-0701
HCPL-0731**

TYPICAL PERFORMANCE CURVES

**Fig. 13 Current Transfer Ratio vs. Input Forward Current
(HCPL-0700, HCPL-0701)**



Test Circuit for HCPL-0700 and HCPL-0701



Test Circuit for HCPL-0730 and HCPL-0731

*Includes probe and fixture capacitance

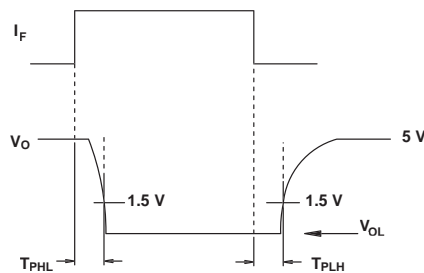
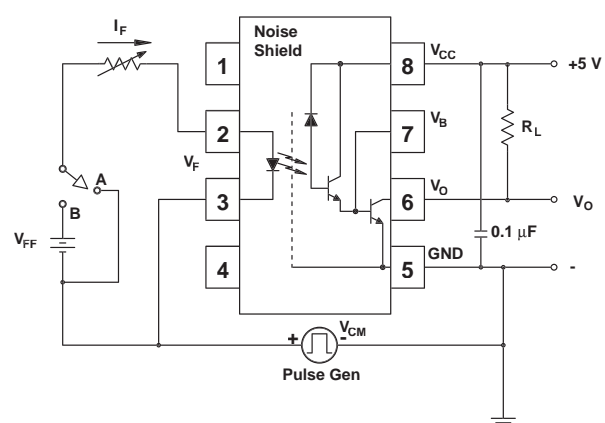


Fig. 14 Switching Time Test Circuit

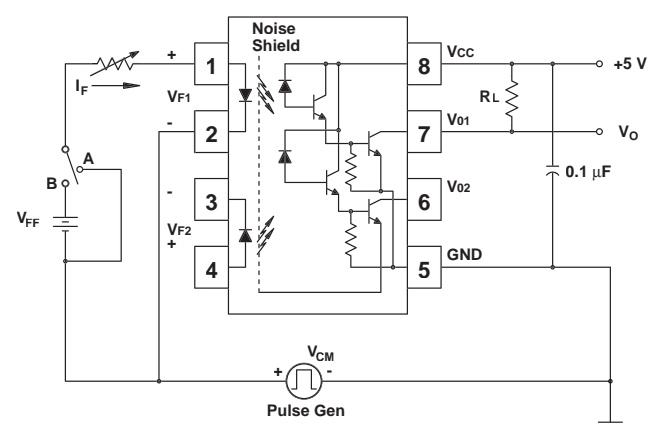
**SINGLE CHANNEL:
DUAL CHANNEL:**

**HCPL-0700
HCPL-0730**

**HCPL-0701
HCPL-0731**



Test Circuit for HCPL-0700 and HCPL-0701



Test Circuit for HCPL-0730 and HCPL-0731

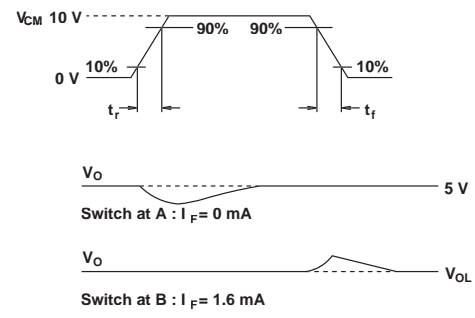


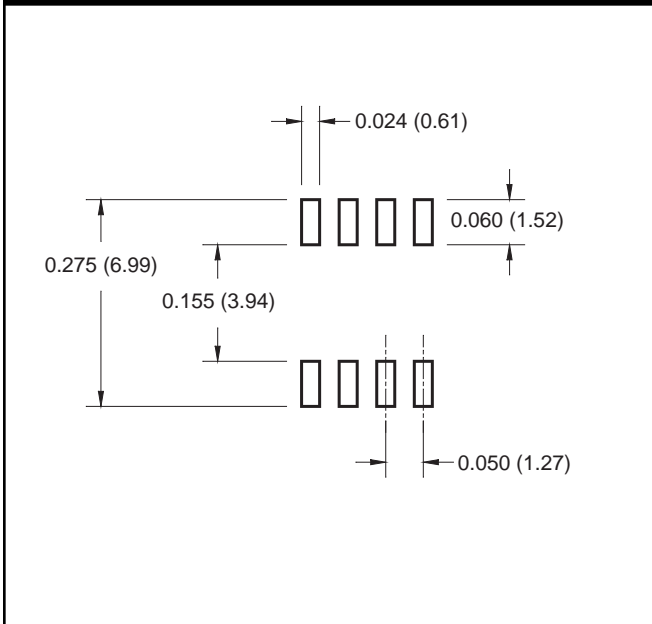
Fig. 15 Common Mode Immunity Test Circuit

**SINGLE CHANNEL:
DUAL CHANNEL:**

**HCPL-0700
HCPL-0730**

**HCPL-0701
HCPL-0731**

8-Pin Small Outline

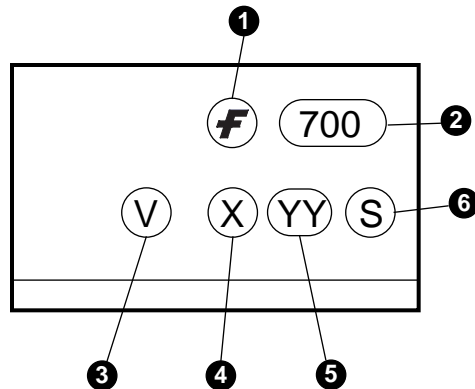


SINGLE CHANNEL:	HCPL-0700	HCPL-0701
DUAL CHANNEL:	HCPL-0730	HCPL-0731

ORDERING INFORMATION

Option	Order Entry Identifier	Description
V	V	VDE 0884
R1	R1	Tape and reel (500 units per reel)
R1V	R1V	VDE 0884, Tape and reel (500 units per reel)
R2	R2	Tape and reel (2500 units per reel)
R2V	R2V	VDE 0884, Tape and reel (2500 units per reel)

MARKING INFORMATION



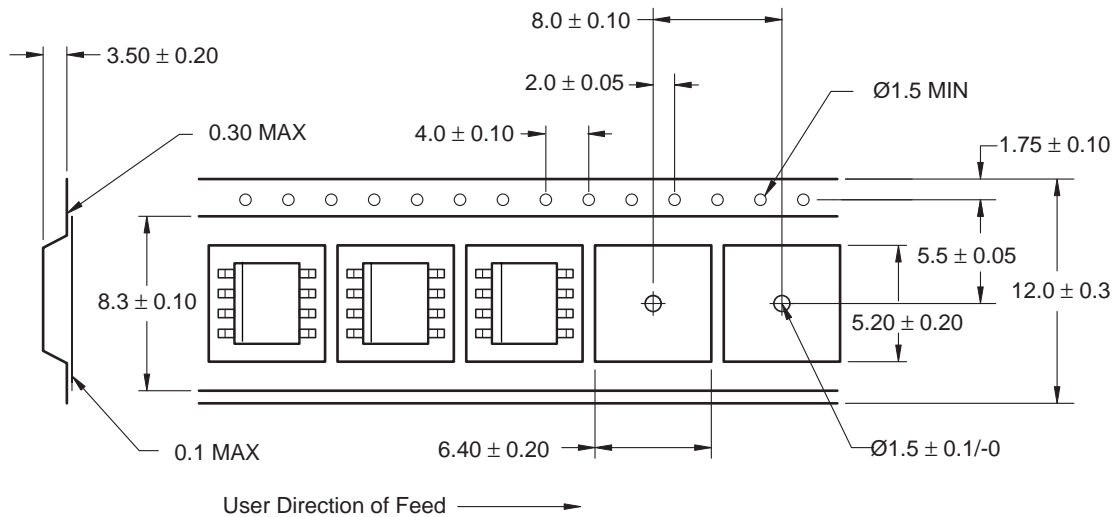
Definitions	
1	Fairchild logo
2	Device number
3	VDE mark (Note: Only appears on parts ordered with VDE option – See order entry table)
4	One digit year code, e.g., '3'
5	Two digit work week ranging from '01' to '53'
6	Assembly package code

**SINGLE CHANNEL:
DUAL CHANNEL:**

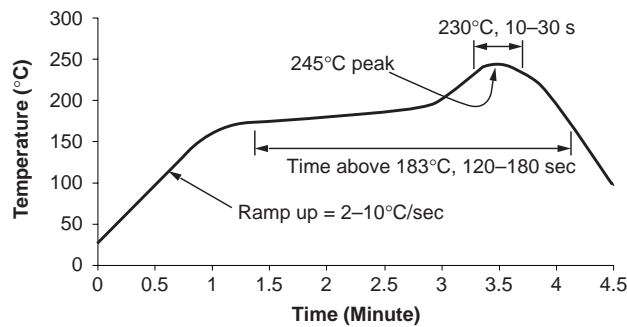
**HCPL-0700
HCPL-0730**

**HCPL-0701
HCPL-0731**

Carrier Tape Specifications



Reflow Profile



- Peak reflow temperature: 245°C (package surface temperature)
- Time of temperature higher than 183°C for 120–180 seconds
- One time soldering reflow is recommended

SINGLE CHANNEL:	HCPL-0700	HCPL-0701
DUAL CHANNEL:	HCPL-0730	HCPL-0731

DISCLAIMER

FAIRCHILD SEMICONDUCTOR RESERVES THE RIGHT TO MAKE CHANGES WITHOUT FURTHER NOTICE TO ANY PRODUCTS HEREIN TO IMPROVE RELIABILITY, FUNCTION OR DESIGN. FAIRCHILD DOES NOT ASSUME ANY LIABILITY ARISING OUT OF THE APPLICATION OR USE OF ANY PRODUCT OR CIRCUIT DESCRIBED HEREIN; NEITHER DOES IT CONVEY ANY LICENSE UNDER ITS PATENT RIGHTS, NOR THE RIGHTS OF OTHERS.

LIFE SUPPORT POLICY

FAIRCHILD'S PRODUCTS ARE NOT AUTHORIZED FOR USE AS CRITICAL COMPONENTS IN LIFE SUPPORT DEVICES OR SYSTEMS WITHOUT THE EXPRESS WRITTEN APPROVAL OF THE PRESIDENT OF FAIRCHILD SEMICONDUCTOR CORPORATION. As used herein:

1. Life support devices or systems are devices or systems which, (a) are intended for surgical implant into the body, or (b) support or sustain life, and (c) whose failure to perform when properly used in accordance with instructions for use provided in the labeling, can be reasonably expected to result in a significant injury of the user.
2. A critical component in any component of a life support device or system whose failure to perform can be reasonably expected to cause the failure of the life support device or system, or to affect its safety or effectiveness.