

Agilent HCPL-810J PLC Powerline DAA IC Data Sheet

Description

The HCPL-810J is a galvanically isolated Powerline Data Access Arrangement IC. It provides the key features of isolation, Tx line driver and Rx amplifier as required in a powerline modem application.

Used together with a simple LC coupling circuit, the HCPL-810J offers a highly integrated, cost effective Analogue Front End (AFE) solution. Optical coupling technology provides very high isolation mode rejection, facilitating excellent EMI and

EMC performance. Application robustness is enhanced by the inherent properties of opto-isolation devices, to effectively block the transfer of damaging surge transients.

Excellent transmitter performance is achieved with the use of a high efficiency, low distortion line driver stage. Transmitter robustness is further enhanced with integrated load detection and over-temperature protection functions.

The HCPL-810J is designed to work with various transceiver ICs and significantly simplify the implementation of a powerline modem.

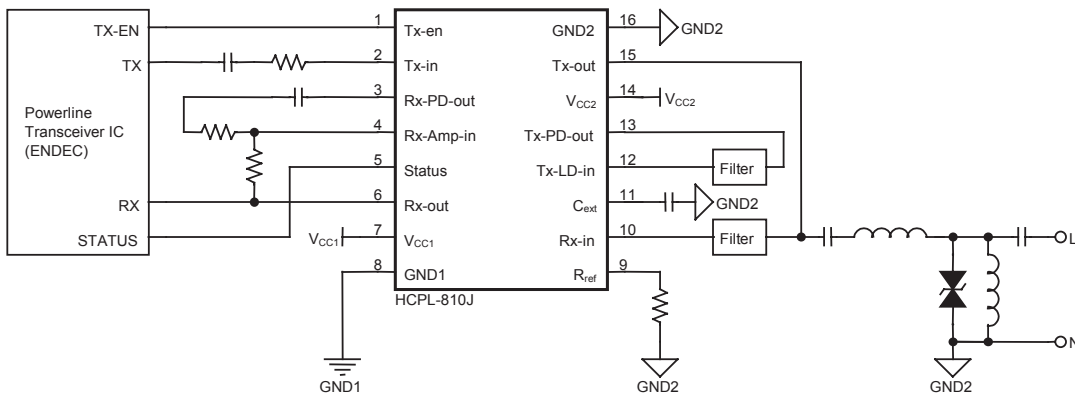
Features

- **Highly Efficient Tx Line Driver**
- **Built-in Rx Amplifier**
- **Load Detection Function**
- **Under-Voltage Detection**
- **Over-Temperature Shutdown**
- **Temperature Range: -40°C to $+85^{\circ}\text{C}$**
- **Regulatory Approvals (pending):
UL, CSA, IEC/EN/DIN EN 60747-5-2**

Applications

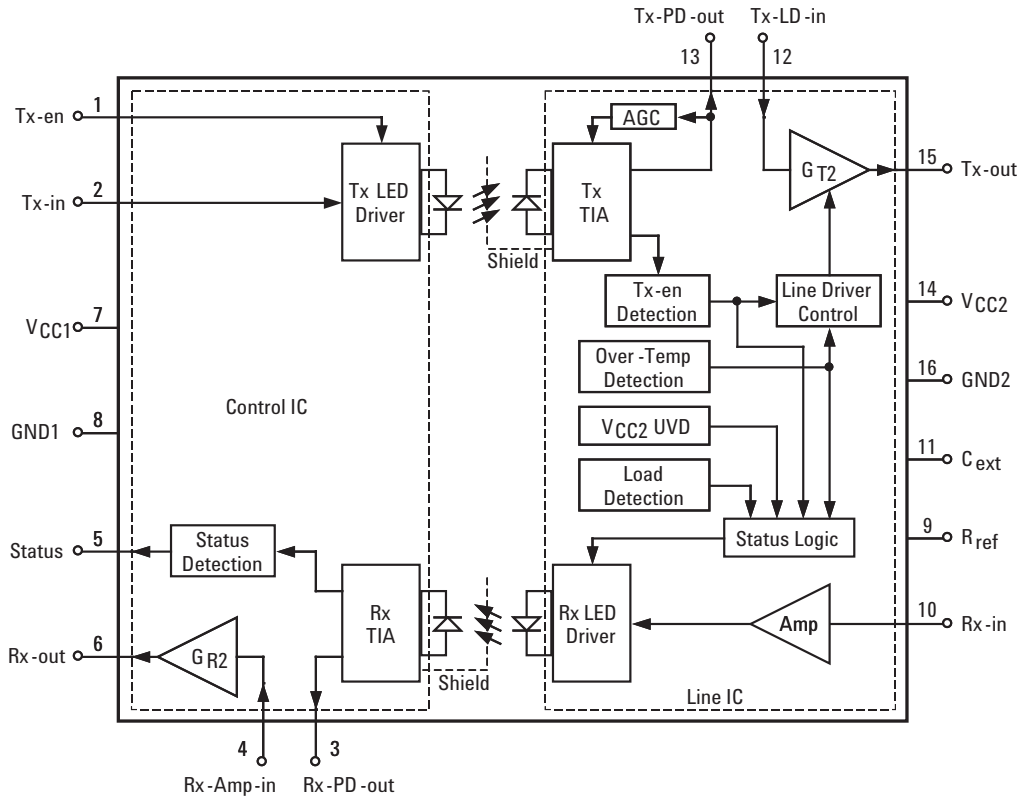
- **Automatic Meter Reading (AMR)**
- **Powerline Modem**
- **Home Automation/Control**
- **Security and Surveillance**
- **General Purpose Isolated Transceiver**
- **Internet Appliances**

Connection Diagram



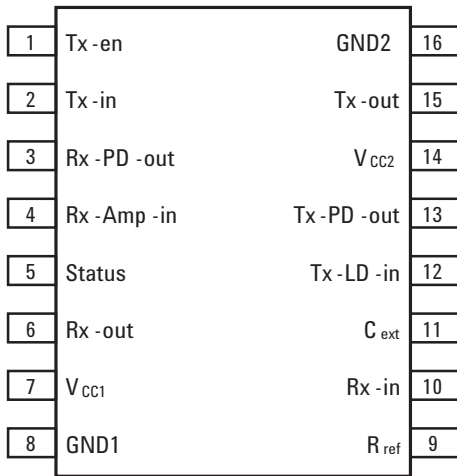
CAUTION: It is advised that normal static precautions be taken in handling and assembly of this component to prevent damage and/or degradation which may be induced by ESD.

Block Diagram



Pin Descriptions

Package Pin Out



Pin No.	Symbol	Description
1	Tx-en	Transmit Enable Input
2	Tx-in	Transmit Input Signal
3	Rx-PD-out	Rx Photodetector Output
4	Rx-Amp-in	Receiver Output Amplifier Input
5	Status	Signal indicating Line Condition
6	Rx-out	Receiving Signal Output
7	V _{CC1}	5 V Power Supply
8	GND1	V _{CC1} Power Supply Ground
9	R _{ref}	Sets Line Driver biasing current, typically 24 kΩ
10	Rx-in	Receiving Signal Input from Powerline
11	C _{ext}	External Capacitor
12	Tx-LD-in	Tx Line Driver Input
13	Tx-PD-out	Tx Photodetector Output
14	V _{CC2}	5 V Power Supply
15	Tx-out	Transmit Signal Output to Powerline
16	GND2	V _{CC2} Power Supply Ground

Ordering Information

Specify part number followed by option number (if desired).

Example:

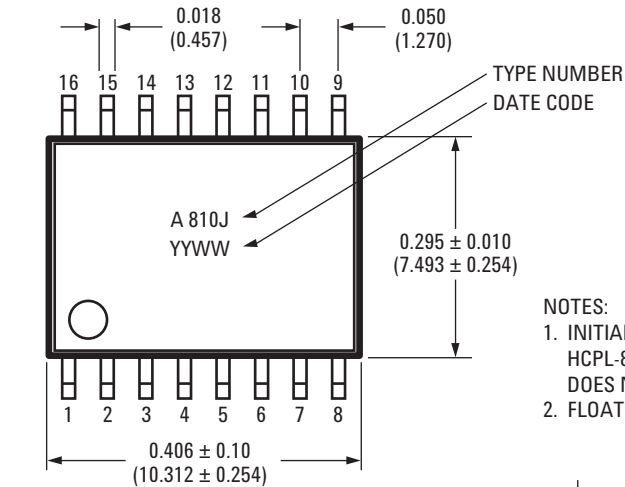
HCPL-810J-XXX

- No option = 16-Lead, Surface Mt. package, 45 per tube.
- 500 = Tape and Reel Packaging Option, 850 per reel.

Option data sheets available. Contact Agilent Technologies sales representative, authorized distributor, or visit our WEB site at www.agilent.com/view/optocouplers.

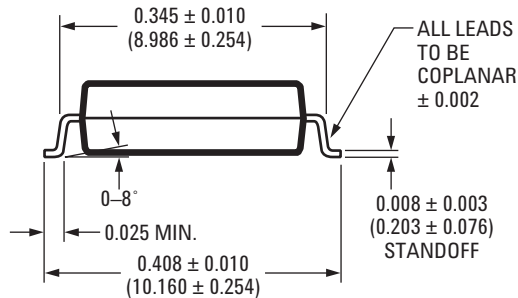
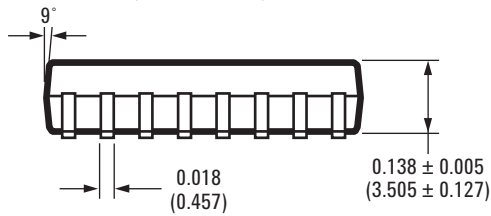
Package Outline Drawings

16-Lead Surface Mount



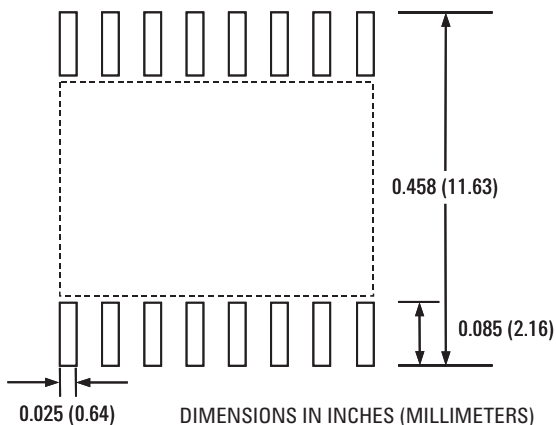
NOTES:

1. INITIAL AND CONTINUED VARIATION IN THE COLOR OF THE HCPL-810J's WHITE MOLD COMPOUND IS NORMAL AND DOES NOT AFFECT DEVICE PERFORMANCE OR RELIABILITY.
2. FLOATING LEAD PROTRUSION IS 0.006 (0.15) MAX.



DIMENSIONS IN INCHES (MILLIMETERS).

Land Pattern Recommendation



Package Characteristics

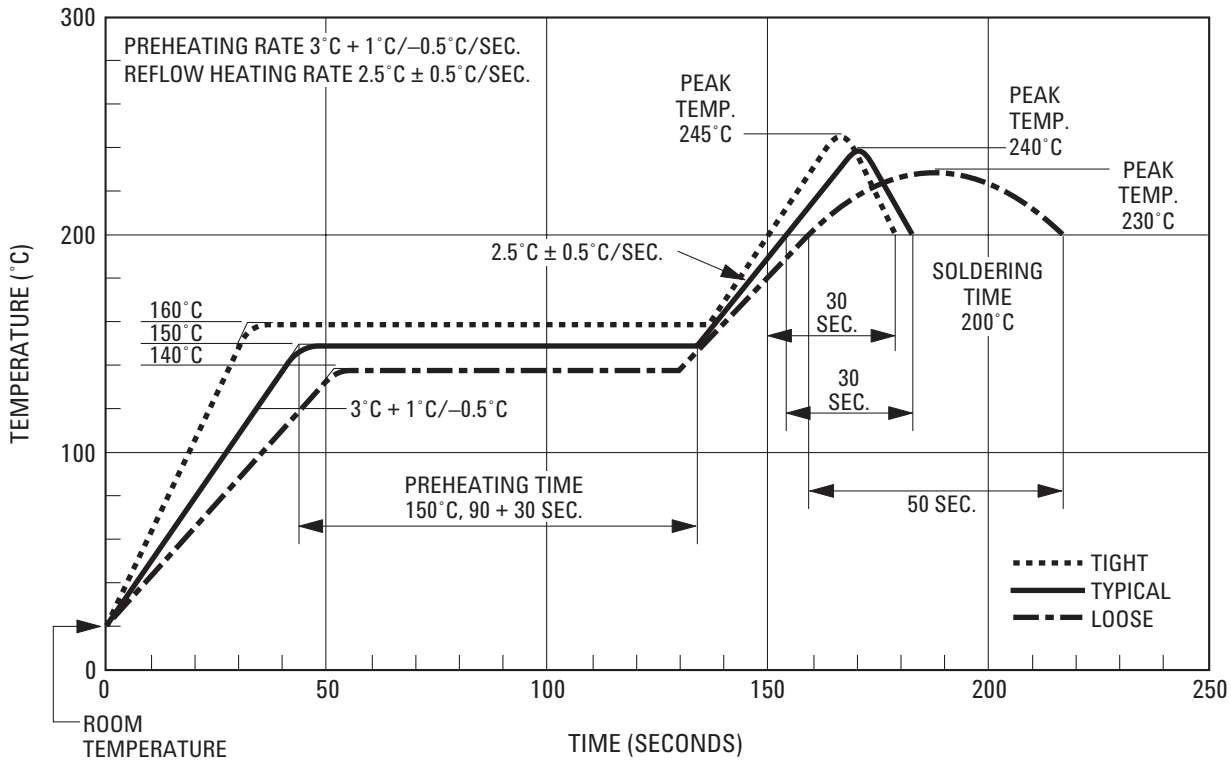
All specifications and figures are at the nominal (typical) operating conditions of $V_{CC1} = 5\text{ V}$, $GND1 = 0\text{ V}$, $V_{CC2} = 5\text{ V}$, $GND2 = 0\text{ V}$ and $T_A = +25^\circ\text{C}$.

Parameter	Symbol	Min.	Typ.	Max.	Units	Test Conditions	Note
Control IC – Line IC Momentary Withstand Voltage	V_{ISO}	3750			V_{rms}	$RH < 50\%$, $t = 1\text{ min.}$, $T_A = 25^\circ\text{C}$	1, 2, 3
Resistance (Control IC – Line IC)	R_{I-O}		$>10^9$		Ω	$V_{I-O} = 500\text{ V}_{dc}$	3
Capacitance (Control IC – Line IC)	C_{I-O}		1.4		pF	$f = 1\text{ MHz}$	
Control IC to Ambient Thermal Resistance	θ_{IA}		83		$^\circ\text{C}/\text{W}$	1 oz. trace, 2-layer	4
Line IC to Ambient Thermal Resistance	θ_{OA}		85			PCB, Still air, $T_A = 25^\circ\text{C}$	

Notes:

- In accordance with UL1577, each optocoupler is proof tested by applying an insulation test voltage $\geq 4500\text{ Vrms}$ for 1 second (leakage detection current limit, $I_{I-O} \leq 5\text{ }\mu\text{A}$). This test is performed before the 100% production test for partial discharge (method b) shown in IEC/EN/DIN EN 60747-5-2 Insulation Characteristics Table, if applicable.
- The Control IC-Line IC Momentary Withstand Voltage is a dielectric voltage rating that should not be interpreted as a Control IC-Line IC continuous voltage rating. For the continuous voltage rating refer to your equipment level safety specification or IEC/EN/DIN EN 60747-5-2 Insulation Characteristics Table.
- Device is considered as a two terminal device: pins 1 - 8 shorted together and pins 9 - 16 shorted together.
- Maximum power dissipation in Control side and Line side IC's needs to be limited to ensure that their respective junction temperature is less than 125°C . The maximum permissible power dissipation is dependent on the thermal impedance and the ambient temperature. Details on the typical thermal impedances are given in the Package Characteristics. Further details on applying this to an actual application can be found in the Application Information section under Thermal Considerations.

Solder Reflow Temperature Profile



Regulatory Information

The HCPL-810J is pending for approval by the following organizations:

IEC/EN/DIN EN 60747-5-2

Approved under:
IEC 60747-5-2:1997 + A1:2002
EN 60747-5-2:2001 + A1:2002
DIN EN 60747-5-2 (VDE 0884 Teil 2):2003-01
with VIORM = 891 Vpeak.

UL

Recognized under UL 1577,
component recognition program,
File E55361.

CSA

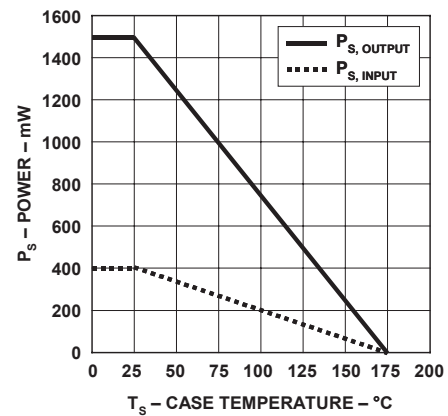
Approved under CSA
Acceptance Notice #5,
File CA 88324.

IEC/EN/DIN EN 60747-5-2 Insulation Characteristics ⁽¹⁾

Description	Symbol	Characteristic	Unit
Installation classification per DIN VDE 0110/1.89, Table 1 For rated mains voltage ≤ 150 Vrms For rated mains voltage ≤ 300 Vrms For rated mains voltage ≤ 600 Vrms		I – IV I – III I – II	
Climatic Classification		55/100/21	
Pollution Degree (DIN VDE 0110/1.89)		2	
Maximum Working Insulation Voltage	V_{IORM}	891	V_{PEAK}
Input to Output Test Voltage, Method b ⁽²⁾ $V_{IORM} \times 1.875 = V_{PR}$, 100% Production Test with $t_m = 1$ sec, Partial Discharge < 5 pC	V_{PR}	1670	V_{PEAK}
Input to Output Test Voltage, Method a ⁽²⁾ $V_{IORM} \times 1.5 = V_{PR}$, Type and Sample Test, $t_m = 60$ sec, Partial Discharge < 5 pC	V_{PR}	1336	V_{PEAK}
Highest Allowable Over-voltage ⁽²⁾ (Transient Over-voltage $t_{ini} = 10$ sec)	V_{IOTM}	6000	V_{PEAK}
Safety-limiting values – maximum values allowed in the event of a failure			
Case Temperature	T_S	175	$^{\circ}C$
Control Side Power ⁽³⁾	$P_{S, INPUT}$	400	mW
Line Side Power ⁽³⁾	$P_{S, OUTPUT}$	1500	mW
Insulation Resistance at T_S , $V_{IO} = 500$ V	R_S	$>10^9$	Ω

Notes:

1. Isolation characteristics are guaranteed only within the safety maximum ratings that must be ensured by protective circuits in application. Surface mount classification is class A in accordance with CECC00802.
2. Refer to the optocoupler section of the Isolation and Control Component Designer's Catalog, under Product Safety Regulations section, (IEC/EN/DIN EN 60747-5-2) for a detailed description of Method a and Method b partial discharge test profiles.
3. Refer to the following figure for dependence of $P_{S, INPUT}$ and $P_{S, OUTPUT}$ on case temperature.



Insulation and Safety Related Specifications

Parameter	Symbol	Value	Unit	Condition
Minimum External Air Gap (Clearance)	L(101)	8.3	mm	Measured from input terminals to output terminals, shortest distance through air.
Minimum External Tracking (Creepage)	L(102)	8.3	mm	Measured from input terminals to output terminals, shortest distance path along body.
Minimum Internal Plastic Gap (Internal Clearance)		0.5	mm	Through insulation distance of conductor to conductor, usually the straight-line distance between the emitter and detector.
Tracking Resistance (Comparative Tracking Index)	CTI	>175	Volts	DIN IEC 112/VDE 0303 Part 1
Isolation Group		IIIa		Material Group (DIN VDE 0110, 1/89, Table 1)

Absolute Maximum Ratings

Parameter	Symbol	Min.	Max.	Unit	Note
Storage Temperature	T_S	-55	125	°C	
Ambient Operating Temperature	T_A	-40	85	°C	
Junction Temperature	T_J		125	°C	
Supply Voltage 1	V_{CC1}	-0.5	5.5	V	
Supply Voltage 2	V_{CC2}	-0.5	5.5	V	
Transmit Output Voltage	V_{Tx-out}	-0.5	V_{CC2}	V	
Transmit Input Signal Voltage	V_{Tx-in}	-0.5	V_{CC1}	V	
Transmit Enable Voltage	V_{Tx-en}	-0.5	V_{CC1}	V	
Receiving Input Signal Voltage	V_{Rx-in}	-0.5	V_{CC2}	V	
Control-Side Power Dissipation	P_I		200	mW	1
Line-Side Power Dissipation	P_O		1000	mW	
Solder Reflow Temperature Profile	(See Solder Reflow Temperature Profile Section)				

Notes:

- Maximum power dissipation in Control side and Line side IC's needs to be limited to ensure that their respective junction temperature is less than 125°C. The maximum permissible power dissipation is dependent on the thermal impedance and the ambient temperature. Details on the typical thermal impedances are given in the Package Characteristics. Further details on applying this to an actual application can be found in the Application Information section under Thermal Considerations.

Recommended Operating Conditions

Parameter	Symbol	Min.	Typ.	Max.	Unit	Note
Ambient Operating Temperature	T_A	-40		85	°C	
Input Supply Voltage	V_{CC1}	4.75	5	5.25	V	
Output Supply Voltage	V_{CC2}	4.75	5	5.25	V	
Tx-in Signal Current	I_{Tx-in}		250		μA_{PP}	1

Notes:

- The transmitter input impedance is very low, this is meant for signal current input. Transmitter performance is optimized at 250 μA_{PP} input signal, an external series resistor with nominal value of 2 k Ω would be required if the input signal is 0.5 V_{PP} .

Electrical Specifications

Unless otherwise noted, for sinusoidal waveform input and reference resistor $R_{ref} = 24\text{ k}\Omega$, all typical values are at $T_A = 25^\circ\text{C}$, $V_{CC1} = 5\text{ V}$, $V_{CC2} = 5\text{ V}$; all Minimum/Maximum specifications are at Recommended Operating Conditions.

General

Parameter	Symbol	Min.	Typ.	Max.	Unit	Test Condition	Fig.	Note
V_{CC1} Supply Current	I_{CC1}		6	20	mA	$V_{Tx-en} = 0\text{ V}$	1	
			20	35	mA	$V_{Tx-en} = 5\text{ V}$	1	
V_{CC2} Supply Current	I_{CC2}		22	30	mA	$V_{Tx-en} = 0\text{ V}$	2	
			40	70	mA	$V_{Tx-en} = 5\text{ V}$	2, 3, 4	
Status Logic High Output	V_{OH}	$V_{CC1}-1$			V	$I_{OH} = -4\text{ mA}$		
Status Logic Low Output	V_{OL}			1	V	$V_{CC2} = 3.5\text{ V}$, $I_{OL} = 4\text{ mA}$		
V_{CC2} Under Voltage Detection	V_{UVD}	3.8	4	4.3	V			1
Junction Over-Temperature Threshold	T_{th}		130		$^\circ\text{C}$			2
Load Detection Threshold			0.6		A_{PP}	$V_{Tx-en} = 5\text{ V}$, $f = 132\text{ kHz}$	5, 13	
Isolation Mode Rejection Ratio	IMRR		80		dB	$V_{Tx-en} = 0\text{ V}$, $f = 132\text{ kHz}$	6, 14	3

Notes:

1. Threshold of falling V_{CC2} with hysteresis of 0.15 V (typ.).
2. Threshold of rising junction temperature with hysteresis of 15°C (typ.).
3. IMRR is defined as the ratio of the signal gain (measured at Rx-PD-out with signal applied to Rx-in) to the isolation mode gain (measured at Rx-PD-out with Rx-in connected to GND2 and the isolation mode voltage, V_{IM} , applied between GND1 and GND2), expressed in dB.

Electrical Specifications (Cont.)

Unless otherwise noted, for sinusoidal waveform input and reference resistor $R_{ref} = 24 \text{ k}\Omega$, all typical values are at $T_A = 25^\circ\text{C}$, $V_{CC1} = 5 \text{ V}$, $V_{CC2} = 5 \text{ V}$; all Minimum/Maximum specifications are at Recommended Operating Conditions.

Transmitter

Parameter	Symbol	Min.	Typ.	Max.	Unit	Test Condition	Fig.	Note
Transmit Enable Threshold Voltage	$V_{th, Tx-en}$	0.8		2.4	V			
Set-up Time (Tx-PD-out)	$t_{s, Tx}$		10		μs	$V_{Tx-en} = 5 \text{ V}$, $I_{Tx-in} = 250$	15	1
AGC Settling Time	t_{AGC}		180		μs	μA_{PP} , $f = 132 \text{ kHz}$, Tx-PD-out no load		2
Tx Photodetector Output Voltage (Tx-PD-out)		2.8	3.3	3.6	V_{PP}	$V_{Tx-en} = 5 \text{ V}$, $I_{Tx-in} = 250$ μA_{PP} , $f = 132 \text{ kHz}$, $T_A = 25^\circ\text{C}$	7, 8, 9	
Bandwidth (Tx-PD-out)	BW_{TxPD}		1		MHz	$V_{Tx-en} = 5 \text{ V}$, $I_{Tx-in} = 250$ μA_{PP}		
Tx Photodetector Output Impedance (Tx-PD-out)	$Z_{O, TxPD}$		1		Ω	$V_{Tx-en} = 5 \text{ V}$, $f = 132 \text{ kHz}$		
Line Driver (LD)								
Power Supply (V_{CC2}) Rejection Ratio	PSRR		55		dB	50 Hz ripple, $V_{ripple} = 200 \text{ mV}_{PP}$		
Input Impedance	$Z_{I, LD}$		10		$\text{k}\Omega$	$V_{Tx-en} = 5 \text{ V}$, $f = 132 \text{ kHz}$		
DC Biased Voltage	$V_{Bias, LD}$		2.27		V	$V_{Tx-en} = 5 \text{ V}$		
Gain	G_{T2}	1.8	2	2.2	V/V	$V_{Tx-en} = 5 \text{ V}$, $f = 132 \text{ kHz}$, Tx-out no load, $T_A = 25^\circ\text{C}$	10	
2nd Harmonic Distortion (Tx-out)	$HD2_{LD}$		-60		dB	$V_{Tx-en} = 5 \text{ V}$, $V_{Tx-out} = 3.6 V_{PP}$, $f = 132 \text{ kHz}$, Tx-out load 50Ω , $T_A = 25^\circ\text{C}$		
3rd Harmonic Distortion (Tx-out)	$HD3_{LD}$		-65		dB			
Output Impedance (Tx-out)	$Z_{O, LD}$		0.5		Ω	$V_{Tx-en} = 5 \text{ V}$, $f = 132 \text{ kHz}$		
			7.5		$\text{k}\Omega$	$V_{Tx-en} = 0 \text{ V}$, $f = 132 \text{ kHz}$		
Short-Circuit Output Current	I_{OS}		2		A _{PP}	$V_{Tx-en} = 5 \text{ V}$, $V_{Tx-LD-in} = 1.8$ V_{PP} , $f = 132 \text{ kHz}$, $t_p \leq 50 \mu\text{s}$		3, 4

Notes:

1. Time from transmit is enabled (V_{Tx-en} is set to logic high) until output (Tx-PD-out) is available. See Figure 18 in the Application Information section.
2. Time from output (Tx-PD-out) is available until Tx-PD-out signal reaches 66% of its steady state level. See Figure 18 in the Application Information section.
3. To keep the junction temperature as close to the ambient temperature as possible, pulse testing method is used. The device is transmit-enabled within the pulse duration time, t_p . Thermal effects must be considered separately.
4. Maximum power dissipation in Control side and Line side IC's needs to be limited to ensure that their respective junction temperature is less than 125°C . The maximum permissible power dissipation is dependent on the thermal impedance and the ambient temperature. Details on the typical thermal impedances are given in the Package Characteristics. Further details on applying this to an actual application can be found in the Application Information section under Thermal Considerations.

Electrical Specifications (Cont.)

Unless otherwise noted, for sinusoidal waveform input and reference resistor $R_{ref} = 24 \text{ k}\Omega$, all typical values are at $T_A = 25^\circ\text{C}$, $V_{CC1} = 5 \text{ V}$, $V_{CC2} = 5 \text{ V}$; all Minimum/Maximum specifications are at Recommended Operating Conditions.

Receiver

Parameter	Symbol	Min.	Typ.	Max.	Unit	Test Condition	Fig.	Note
Input Impedance	$Z_{I, Rx}$		4		$\text{k}\Omega$	$V_{Tx-en} = 0 \text{ V}$, $f = 132 \text{ kHz}$		
Output Impedance (Rx-PD-out)	$Z_{O, RxPD}$		30		Ω	$V_{Tx-en} = 0 \text{ V}$, $f = 132 \text{ kHz}$		
Input Referred Noise	V_{nr}		70		$\text{nV}/\sqrt{\text{Hz}}$	$V_{Tx-en} = 0 \text{ V}$, $V_{Rx-in} = 0 \text{ V}_{PP}$		
Bandwidth (Rx-PD-out)	BW_{RxPD}		500		kHz	$V_{Tx-en} = 0 \text{ V}$		
Gain	G_{R1}		20		dB	$V_{Tx-en} = 0 \text{ V}$, $V_{Rx-in} = 0.05 \text{ V}_{PP}$, $f = 132 \text{ kHz}$	11	
Set-up Time (Rx-PD-out)	$t_{s, Rx}$		10		μs	$V_{Tx-en} = 0 \text{ V}$, $f = 132 \text{ kHz}$		
Receiver Output Amplifier (RxAMP)								
DC Biased Voltage	$V_{Bias, Rx}$		2.27		V			
Output Impedance	$Z_{O, RxA}$		20		Ω	$V_{Tx-en} = 0 \text{ V}$, $f = 132 \text{ kHz}$		
Gain Bandwidth Product	GBW_{RxA}		28		MHz	$V_{Tx-en} = 0 \text{ V}$, $f = 132 \text{ kHz}$, $V_{Rx-in} = 0.1 \text{ V}_{PP}$, $G_{R2} = -20$, feedback resistor $20 \text{ k}\Omega$	12	

Typical Performance Plots

Unless otherwise noted, all typical plots are at $T_A = 25^\circ\text{C}$, $V_{CC1} = 5\text{ V}$, $V_{CC2} = 5\text{ V}$, sinusoidal waveform input, signal frequency $f = 132\text{ kHz}$, $I_{Tx-in} = 250\text{ }\mu\text{A}_{pp}$, and $R_{ref} = 24\text{ k}\Omega$.

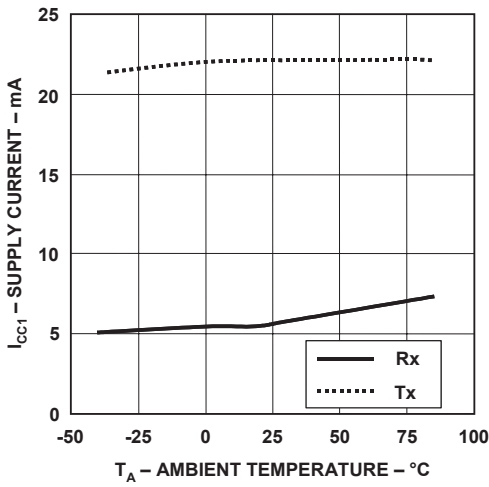


Figure 1. V_{CC1} supply current vs. temperature.

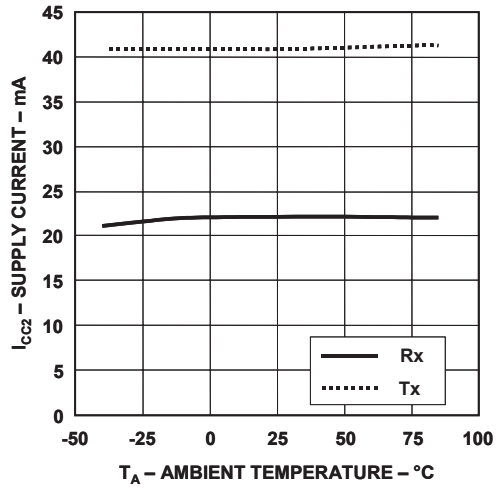


Figure 2. V_{CC2} supply current vs. temperature.

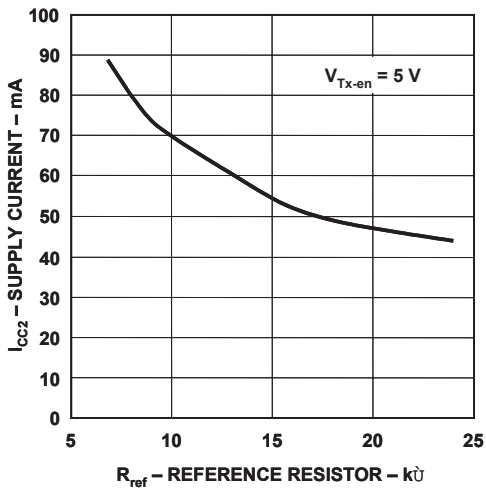


Figure 3. V_{CC2} supply current vs. reference resistor.

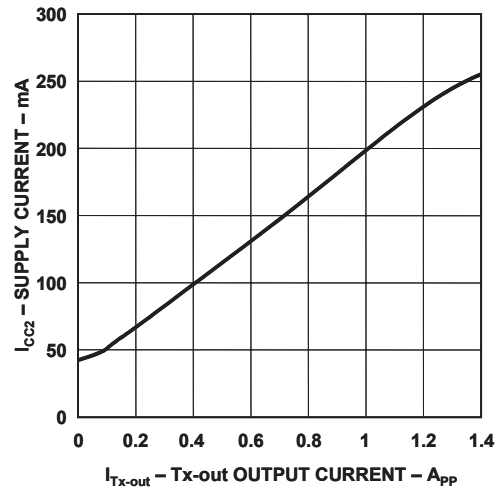


Figure 4. V_{CC2} supply current vs. Tx output current.

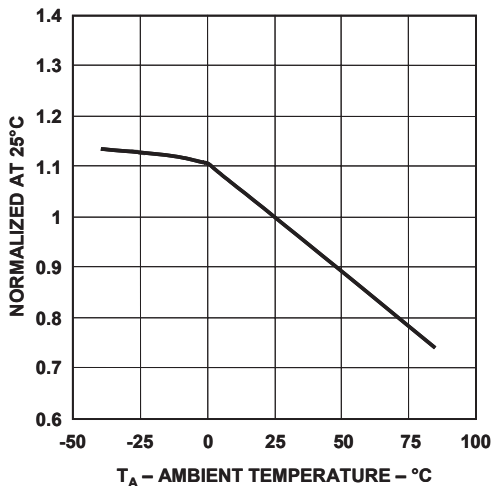


Figure 5. Normalized load detection threshold vs. temperature.

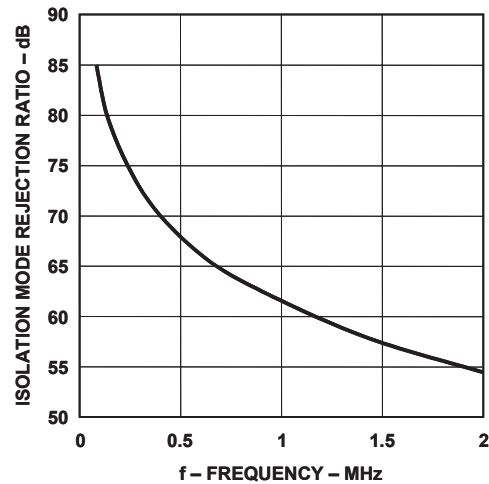


Figure 6. Isolation mode rejection ratio vs. frequency.

Typical Performance Plots (Cont.)

Unless otherwise noted, all typical plots are at $T_A = 25^\circ\text{C}$, $V_{CC1} = 5\text{ V}$, $V_{CC2} = 5\text{ V}$, sinusoidal waveform input, signal frequency $f = 132\text{ kHz}$, $I_{Tx-in} = 250\ \mu\text{A}_{PP}$, and $R_{ref} = 24\text{ k}\Omega$.

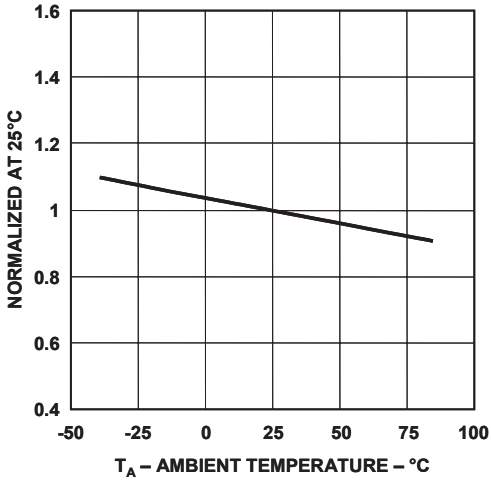


Figure 7. Normalized Tx-PD-out output voltage vs. temperature.

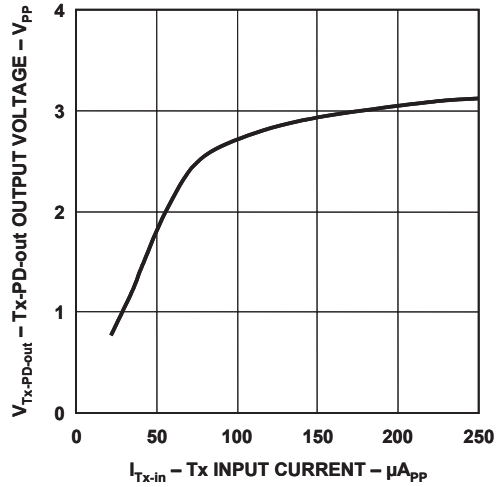


Figure 8. Tx-PD-out output voltage vs. Tx-in input current.

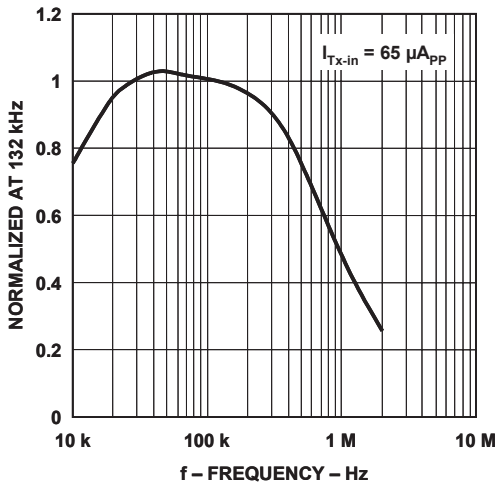


Figure 9. Normalized Tx-PD-out output voltage vs. frequency.

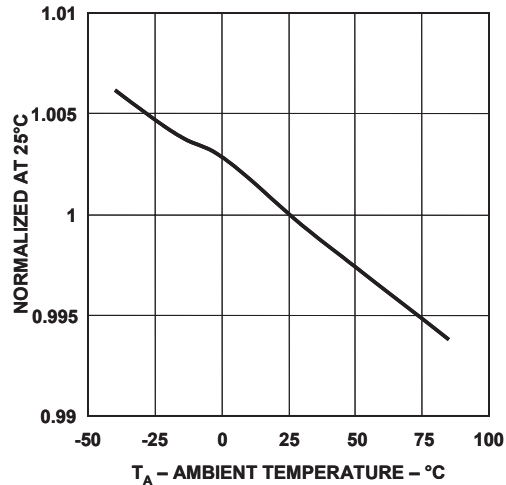


Figure 10. Normalized line driver gain vs. temperature.

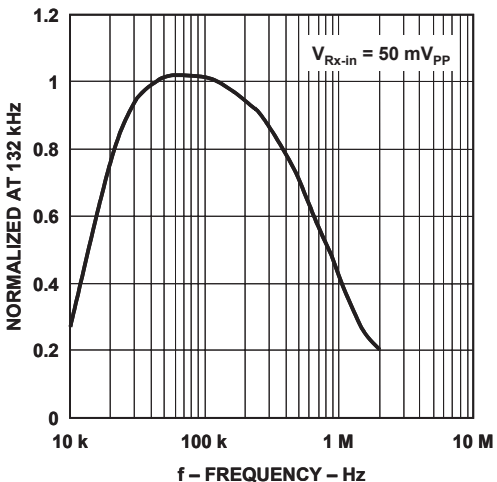


Figure 11. Normalized Rx-PD-out output voltage vs. frequency.

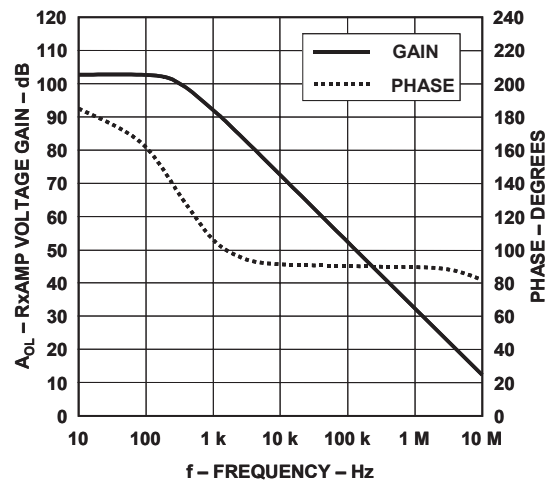


Figure 12. RxAMP gain and phase vs. frequency.

Test Circuit Diagrams

Unless otherwise noted, all test circuits are at $T_A = 25^\circ\text{C}$, $V_{CC1} = 5\text{ V}$, $V_{CC2} = 5\text{ V}$, sinusoidal waveform input, and signal frequency $f = 132\text{ kHz}$.

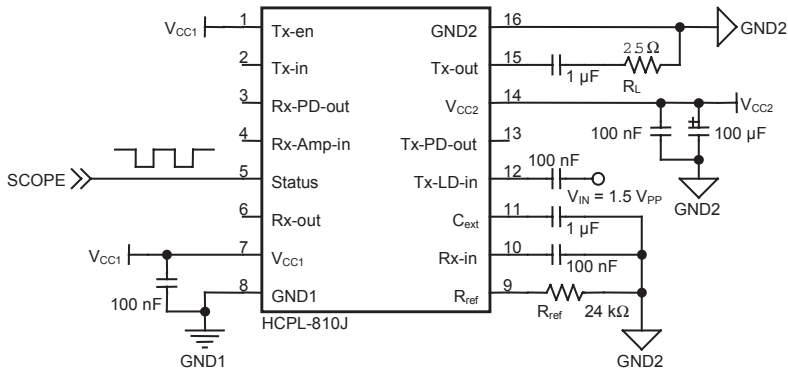


Figure 13. Load detection test circuit.

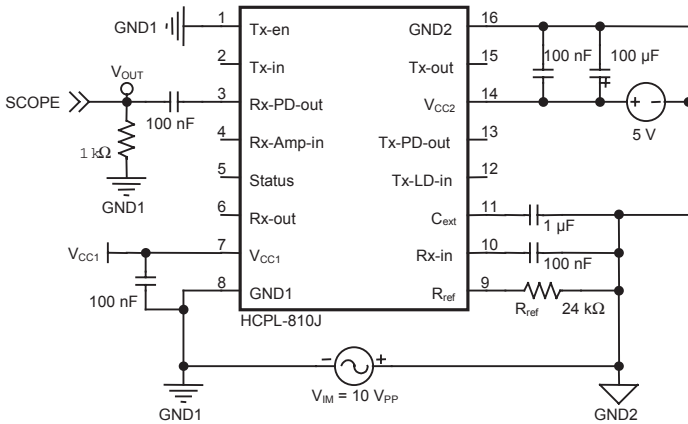


Figure 14. Isolation mode rejection ratio test circuit.

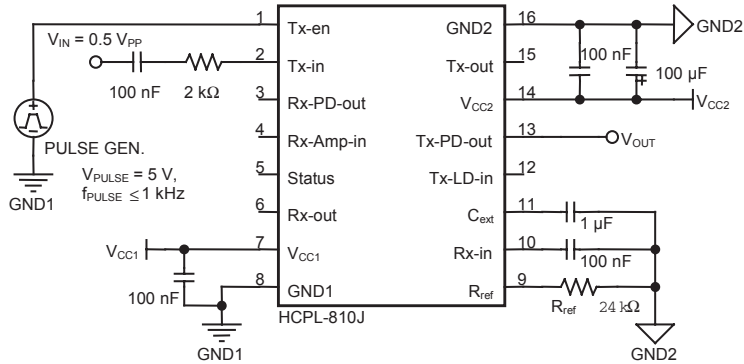


Figure 15. Tx-PD-out enable/disable time test circuit.

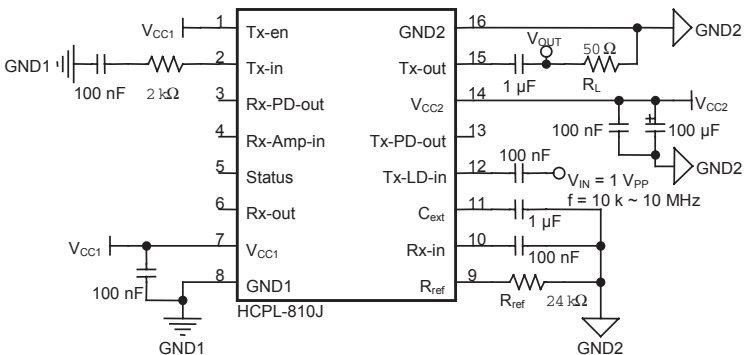


Figure 16. Line driver bandwidth test circuit.

Applications Information

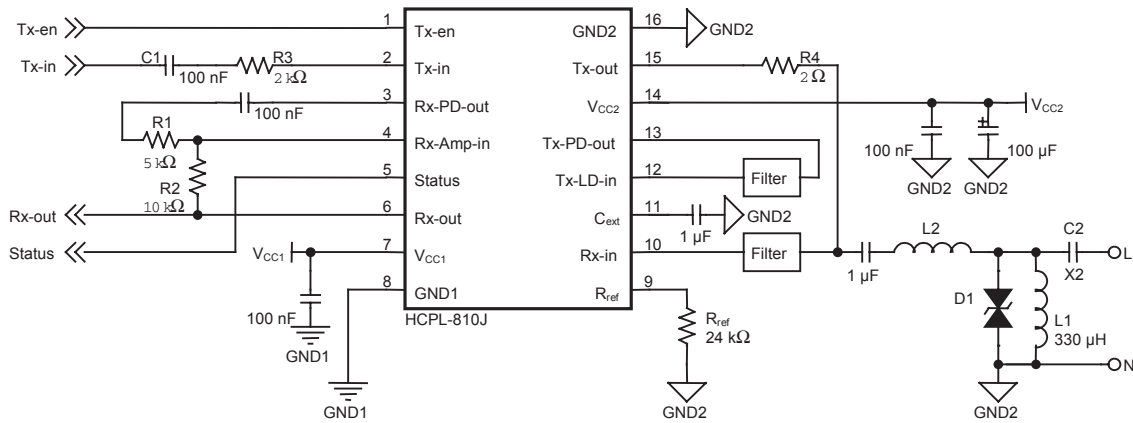


Figure 17. Schematic of HCPL-810J application for FSK modulation scheme.

Typical application for FSK modulation scheme

The HCPL-810J is designed to work with various transceivers and can be used with a variety of modulation methods including ASK, FSK and BPSK. Figure 17 shows a typical application in a powerline modem using Frequency Shift Keying (FSK) modulation scheme.

Transmitter

The analogue Tx input pin is connected to the modulator via an external coupling capacitor C1 and a series resistor R3 (see Figure 17). Optimal performance is obtained with an input signal of $250 \mu\text{A}_{\text{PP}}$. E.g., for a modulator with an output signal of $0.5 \text{ V}_{\text{PP}}$ using a coupling capacitor of 100 nF, the optimal series resistor R3 would be 2 kΩ.

Tx AGC

To ensure a stable and constant output voltage at Tx-PD-out, the HCPL-810J includes an Automatic Gain Control (AGC) circuit in the isolated transmit signal path.

This AGC circuit compensates for variations in the input signal level presented at Tx-in and variations in the optical channel over temperature and time. The Tx-PD-out output signal is effectively stabilized for input Tx-in signals of between $150 \mu\text{A}_{\text{PP}}$ and $250 \mu\text{A}_{\text{PP}}$ (see Figure 8). The AGC circuit starts to function 10 μs after the Tx-en signal is set to logic high. After a period of 180 μs the Tx-PD-out signal typically reaches 66% of its steady state level (see Figure 18). To ensure correct operation of the internal circuitry, an external 1 μF capacitor needs to be connected from pin 11 to GND2.

The optical signal coupling technology used in the HCPL-810J transmit path achieves very good harmonic distortion, which is usually significantly better than the distortion performance of the modulated input signal. However to meet the requirements of some international EMC regulations it is often necessary to filter the modulated input signal. The optimal position for such a filter is between pins 13 and 12 as shown in Figure 17. A possible band-pass filter topology correct topology is shown in Figure 19, some typical values of the components in this filter are listed in Table 1.

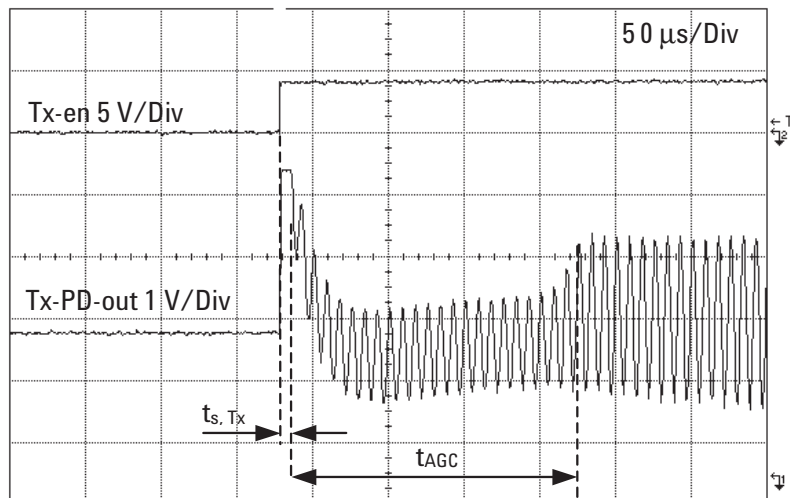


Figure 18. Tx-PD-out AGC response time.

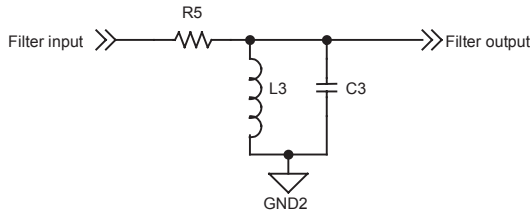


Figure 19. An example of a band-pass filter for transmit.

To compensate for the attenuation in the filter, the line driver stage has 6 dB gain. To prevent the line driver output from saturating, it is therefore important to achieve 6 dB of attenuation between Tx-PD-out (pin 13) and Tx-LD-in (pin 12) either by the inherent filter attenuation or by other means.

Transmitter Line Driver

The line driver is capable of driving powerline load impedances with output signals up to $4 V_{PP}$. The internal biasing of the line driver is controlled externally via a resistor R_{ref} connected from pin 9 to GND2. The optimum biasing point value for modulation frequencies up to 150 kHz is 24 k Ω . For higher frequency operation with certain modulation schemes, it may be necessary to reduce the resistor value to enable compliance with international regulations.

The output of the line driver is coupled onto the powerline using a simple LC coupling circuit as shown in Figure 20. Refer to Table 1 for some typical component values. Capacitor C2 and inductor L1 attenuate the 50/60 Hz powerline transmission frequency. A suitable value for L1 can range in value from 200 μ H to 1 mH. To reduce the series coupling impedance at the modulation frequency, L2 is included to compensate the reactive impedance of C2. This inductor should be a low resistive type capable of meeting the peak current requirements. To meet many regulatory requirements, capacitor C2 needs to be an X2 type. Since these types of capacitors typically have a very wide tolerance range of 20%, it is recommended to use as low Q factor as possible for the L2/C2 combination. Using a high Q coupling circuit will result in a

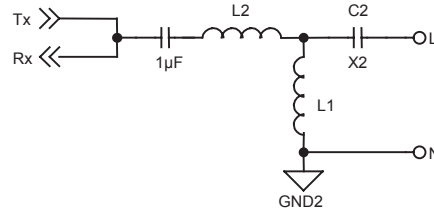


Figure 20. LC coupling network.

wide tolerance on the overall coupling impedance, causing potential communication difficulties with low powerline impedances. Occasionally with other circuit configurations, a high Q coupling arrangement is recommended, e.g., C2 less than 100 nF. In this case it is normally used as a compromise to filter out of band harmonics originating from the line driver. This is not required with the HCPL-810J.

Although the series coupling impedance is minimized to reduce insertion loss, it has to be sufficiently large to limit the peak current to the desired level in the worst expected powerline load condition. The peak output current is effectively limited by the total series coupling resistance, which is made up of the series resistance of L2, the series resistance of the fuse and any other resistive element connected in the coupling network.

To reduce power dissipation when not operating in transmit mode the line driver stage is shut down to a low power high impedance state by pulling the Tx-en input (pin 1) to logic low state. The high impedance condition helps minimize attenuation on received signals.

Table 1. Typical component values for band-pass filter and LC coupling network.

Carrier Frequency (kHz)	Band-Pass Filter		LC Coupling	
	L3 (μ H)	C3 (nF)	L2 (μ H)	C2 (nF)
110	680	3.3	15	150
120	680	2.7	10	220
132	680	2.2	6.8	220
150	680	1.8	6.8	220

Receiver

The received signal from the powerline is often heavily attenuated and also includes high level out of band noise. Receiver performance can be improved by positioning a suitable filter prior to the Rx-in input (pin 10). To counter the inevitable attenuation on the powerline, the HCPL-810J receiver circuit includes a fixed 20 dB front-end gain stage. If desired, this fixed gain can be reduced to unity gain by inserting an impedance of 33 k Ω in the receiver signal path. It is however recommended to maintain the fixed gain of 20 dB at this position and reduce the overall signal gain elsewhere if required. This configuration will result in the best SNR and IMRR.

The optical isolated Rx signal appears at Rx-PD-out (pin 3). This signal is subsequently AC coupled to the final gain stage via a capacitor.

The final gain stage consists of an op-amp configured in an inverting configuration and DC biased at 2.27 V. The actual gain of this gain stage is user programmable with external resistors R1 and R2 as shown in Figure 17. The signal output at Rx-out (pin 6) is buffered and may be directly connected to the demodulator or ADC, using AC coupling if required.

Internal Protection and Sensing

The HCPL-810J includes several sensing and protection functions to ensure robust operation under wide ranging environmental conditions.

The first feature is the V_{CC2} Under Voltage Detection (UVD). In the event of V_{CC2} dropping to a voltage less than 4 V, the output status pin is switched to a logic low state.

The next feature is the over-temperature shutdown. This particular feature protects the line driver stage from over-temperature stress. Should the IC junction temperature reach a level above 130°C, the line driver circuit is shut down, simultaneously the output of Status (pin 5) is pulled to the logic low state.

The final feature is load detection function. The powerline impedance is quite unpredictable and varies not just at different connection points but is also time variant. The HCPL-810J includes a current sense feature, which may be utilized to feedback information on the instantaneous powerline load condition. Should the peak current reach a level greater than 0.6 A_{PP}, the output of Status pin is pulled to a logic low state for the entire period

the peak current exceeds -0.3 A, as shown in Figure 21. Using the period of the pulse together with the known coupling impedance, the actual powerline load can be calculated. Table 2 shows the logic output of the Status pin.

External Transient Voltage Protection

To protect the HCPL-810J from high voltage transients caused by power surges and disconnecting/connecting the modem, it is necessary to add an external 6.8 V bi-directional transient voltage protector (as component D1 shown in Figure 17).

Additional protection from powerline voltage surges can be achieved by adding an appropriate Metal Oxide Varistor (MOV) across the powerline terminals after the fuse.

Table 2. Status pin logic output.

Mode	Normal	$V_{CC2} < 4V$	Over-Temperature	$I_{Tx-out} < -0.3 A$
Receiver Mode	High	Low	-	-
Transmitter Mode	High	Low	Low	Low (pulsed)

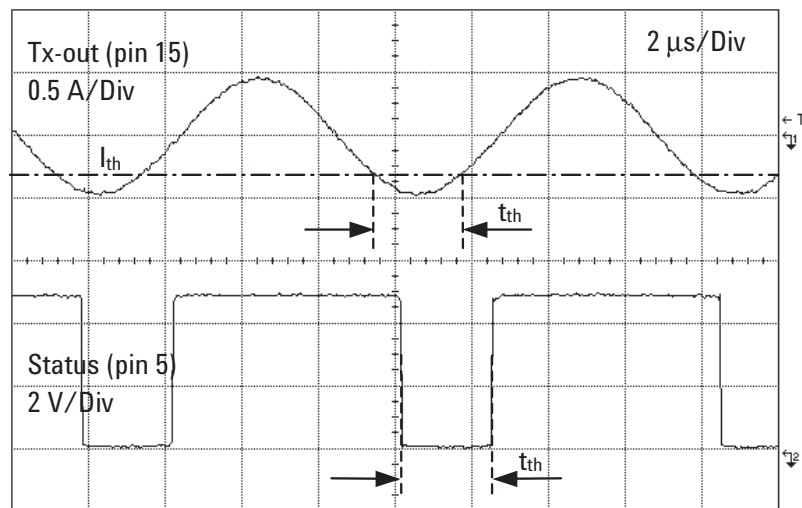


Figure 21. Transmit output load detection.

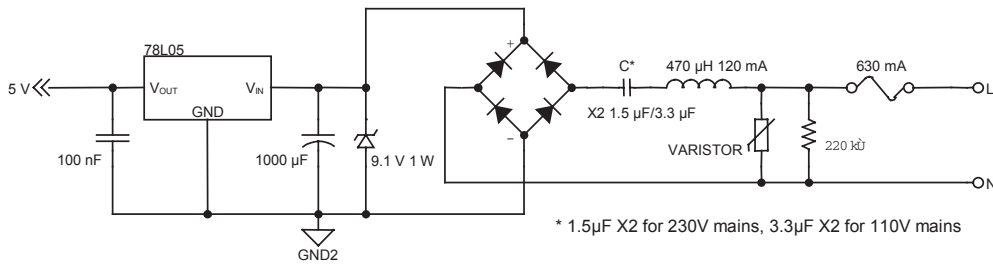


Figure 22. A simple low cost non-isolated power supply.

V_{CC2} Power Supply Requirements

The recommended voltage regulator to supply V_{CC2} is a low cost 78L05 or equivalent. To minimize harmonic distortion, it is recommended to connect a tantalum decoupling capacitor of at least 10 µF together with a 100 nF ceramic capacitor in parallel. The capacitors should be positioned as close as possible to the supply input pin. The supply voltage for the regulator can be supplied from the system level power supply transformer (powerline side winding). Alternatively, the supply can be derived directly from the powerline via a simple low cost circuit as shown in Figure 22.

Thermal Considerations

The high efficiency line driver used in the HCPL-810J ensures minimum internal power dissipation, even for high peak output currents. Despite this, operating the line driver continuously with high output currents at elevated ambient temperatures can cause the peak junction temperature to exceed 125°C and/or resulting in the triggering of the thermal protection.

To prevent this from happening, when operating the line driver continuously with high output currents, an ambient temperature derating factor

needs to be applied. A typical derating curve is shown in Figure 23.

In this case the assumption is that the transmitter is operating continuously in still air with a typical 2-layer Printed-Circuit Board (PCB). However, it should be noted that operating the transmitter discontinuously for short periods of time will allow lower derating or even no derating at all. Conversely operating the line driver continuously with a poor PCB layout and/or with restricted air convection could result in the requirement for a larger derating factor.

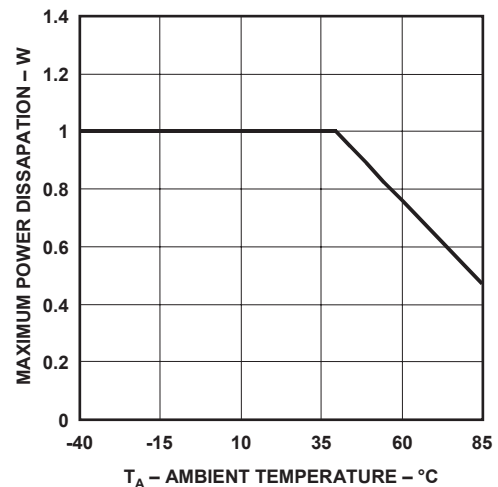


Figure 23. Power derating vs. temperature.

www.agilent.com/semiconductors

For product information and a complete list of distributors, please go to our web site.

Data subject to change.
 Copyright 2003 Agilent Technologies, Inc.
 March 18, 2004
 5989-0717EN