

KEELOQ[®] Code Hopping Encoder

FEATURES

Security

- Two programmable 32-bit serial numbers
- Two programmable 64-bit crypt keys
- Two programmable 60-bit seed values
- Each transmission is unique
- 67/69-bit transmission code length
- 32-bit hopping code
- Crypt keys are read protected

Operating

- 2.05-5.5V operation
- Four button inputs
- 15 functions available
- Four selectable baud rates
- Selectable minimum code word completion
- Battery low signal transmitted to receiver
- Nonvolatile synchronization data
- PWM, VPWM, PPM, and Manchester modulation
- Button queue information transmitted
- Dual Encoder functionality

Other

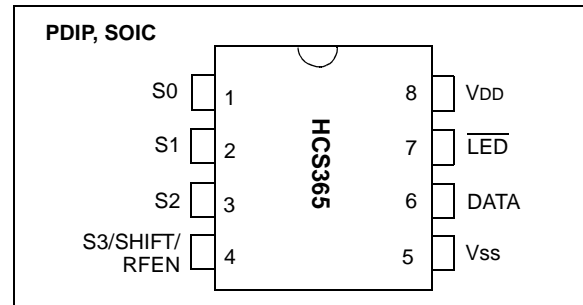
- On-chip EEPROM
- On-chip tuned oscillator ($\pm 10\%$ over voltage and temperature)
- Button inputs have internal pull-down resistors
- LED output
- PLL control for ASK and FSK
- Low external component count

Typical Applications

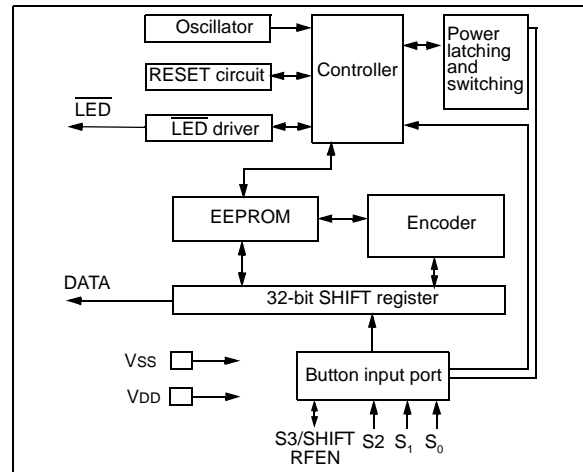
The HCS365 is ideal for Remote Keyless Entry (RKE) applications. These applications include:

- Automotive RKE systems
- Automotive alarm systems
- Automotive immobilizers
- Gate and garage door openers
- Identity tokens
- Burglar alarm systems

PACKAGE TYPES



HCS365 BLOCK DIAGRAM



GENERAL DESCRIPTION

The HCS365 is a code hopping encoder designed for secure Remote Keyless Entry (RKE) and secure remote control systems. The HCS365 utilizes the KEELOQ[®] code hopping technology, which incorporates high security, a small package outline, and low cost to make this device a perfect solution for unidirectional authentication systems and access control systems.

The HCS365 combines a hopping code generated by a nonlinear encryption algorithm, a serial number, and status bits to create a secure transmission code. The length of the transmission eliminates the threat of code scanning and code grabbing access techniques.

The crypt key, serial number, and configuration data are stored in an EEPROM array which is not accessible via any external connection. The EEPROM data is programmable but read protected. The data can be verified only after an automatic erase and programming operation. This protects against attempts to gain access to keys or manipulate synchronization values. In addition, the HCS365 supports a dual encoder. This allows two manufacturers to use the same device without having to use the same manufacturer's code in each of the encoders. The HCS365 provides an easy to use serial interface for programming the necessary keys, system parameters, and configuration data.

1.0 SYSTEM OVERVIEW

Key Terms

The following is a list of key terms used throughout this data sheet. For additional information on KEELOQ and code hopping, refer to Technical Brief (TB003).

- **RKE** - Remote Keyless Entry
- **Button Status** - Indicates what button input(s) activated the transmission. Encompasses the 4 button status bits S3, S2, S1 and S0 (Figure 3-2).
- **Code Hopping** - A method by which a code, viewed externally to the system, appears to change unpredictably each time it is transmitted.
- **Code Word** - A block of data that is repeatedly transmitted upon button activation (Figure 3-2).
- **Transmission** - A data stream consisting of repeating code words (Figure 4-1).
- **Crypt Key** - A unique and secret 64-bit number used to encrypt and decrypt data. In a symmetrical block cipher such as the KEELOQ algorithm, the encryption and decryption keys are equal and will therefore be referred to generally as the crypt key.
- **Encoder** - A device that generates and encodes data.
- **Encryption Algorithm** - A recipe whereby data is scrambled using a crypt key. The data can only be interpreted by the respective decryption algorithm using the same crypt key.
- **Decoder** - A device that decodes data received from an encoder (i.e., HCS5XX).
- **Decryption Algorithm** - A recipe whereby data scrambled by an encryption algorithm can be unscrambled using the same crypt key.
- **Learn** - Learning involves the receiver calculating the transmitter's appropriate crypt key, decrypting the received hopping code and storing the serial number, synchronization counter value, and crypt key in EEPROM. The KEELOQ product family facilitates several learning strategies to be implemented on the decoder. The following are examples of what can be done.

- **Simple Learning**

The receiver uses a fixed crypt key. The crypt key is common to every component used by the same manufacturer.

- **Normal Learning**

The receiver derives a crypt key from the encoder serial number. Every transmitter has a unique crypt key.

- **Secure Learning**

The receiver derives a crypt key from the encoder seed value. Every encoder has a unique seed value that is only transmitted by a special button combination.

- **Manufacturer's Code** - A unique and secret 64-bit number used to derive crypt keys. Each encoder is programmed with a crypt key that is a function of the manufacturer's code. Each decoder is programmed with the manufacturer code itself.

The HCS365 code hopping encoder is designed specifically for keyless entry systems. In particular, typical applications include vehicles and home garage door openers. The encoder portion of a keyless entry system is integrated into a transmitter carried by the user. The transmitter is operated to gain access to a vehicle or restricted area. The HCS365 is meant to be a cost-effective yet secure solution to such systems requiring very few external components (Figure 2-1).

Most low end keyless entry transmitters are given a fixed identification code that is transmitted every time a button is pushed. The number of unique identification codes in a low end system is usually a relatively small number. These shortcomings provide an opportunity for a sophisticated thief to create a device that 'grabs' a transmission and retransmits it later or a device that quickly 'scans' all possible identification codes until the correct one is found.

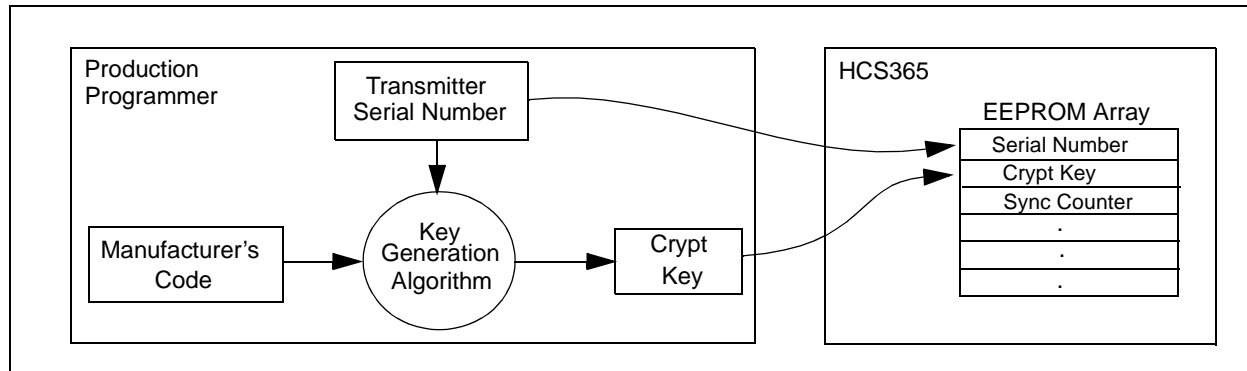
The HCS365, on the other hand, employs the KEELOQ code hopping technology coupled with a transmission length of 67 bits to virtually eliminate the use of code 'grabbing' or code 'scanning'. The high security level of the HCS365 is based on the patented KEELOQ technology. A block cipher based on a block length of 32 bits and a key length of 64 bits is used. The algorithm obscures the information in such a way that if a single hopping code data bit changes (before encryption), statistically more than 50% of the encrypted data bits will change.

As indicated in the block diagram on page one, the HCS365 has a small EEPROM array which must be loaded with several parameters before use; most often programmed by the manufacturer at the time of production. The most important of these are:

- A serial number, typically unique for every encoder
- A crypt key
- An initial synchronization value

The crypt key generation typically inputs the transmitter serial number and 64-bit manufacturer's code into the key generation algorithm (Figure 1-1). The manufacturer's code is chosen by the system manufacturer and must be carefully controlled as it is a pivotal part of the overall system security.

FIGURE 1-1: CREATION AND STORAGE OF CRYPT KEY DURING PRODUCTION



The valid synchronization counter is the basis behind the transmitted code word changing for each transmission; it increments each time a button is pressed. Each increment of the synchronization value results in more than 50% of the hopping code bits changing.

Figure 1-2 shows how the key values in EEPROM are used in the encoder. Once the encoder detects a button press, it reads the button inputs and updates the synchronization counter. The synchronization counter and crypt key are input to the encryption algorithm and the output is 32 bits of encrypted information. This data will change with every button press while its value will appear to 'randomly hop around'. Hence, this data is referred to as the hopping portion of the code word. The 32-bit hopping code is combined with the button information and serial number to form the code word transmitted to the receiver. The code word format is explained in greater detail in Section 4.1.

A receiver may use any type of controller as a decoder. Typically, it is a microcontroller with compatible firmware that allows the decoder to operate in conjunction with an HCS365 based transmitter.

A transmitter must first be 'learned' by the receiver before its use is allowed in the system. Learning includes calculating the transmitter's appropriate crypt key, decrypting the received hopping code, storing the serial number, storing the synchronization counter value, and storing crypt key in EEPROM.

In normal operation, each received message of valid format is evaluated. The serial number is used to determine if it is from a learned transmitter. If the serial number is from a learned transmitter, the message is decrypted and the synchronization counter is verified. Finally, the button status is checked to see what operation is requested. Figure 1-3 shows the relationship between some of the values stored by the receiver and the values received from the transmitter.

For detailed decoder operation, see Section 7.0.

FIGURE 1-2: BUILDING THE TRANSMITTED CODE WORD (ENCODER)

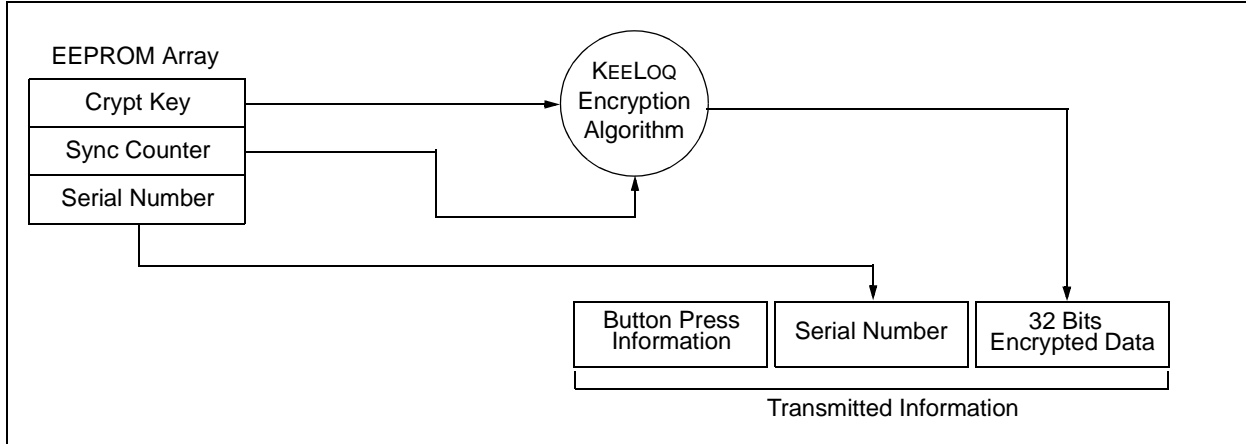
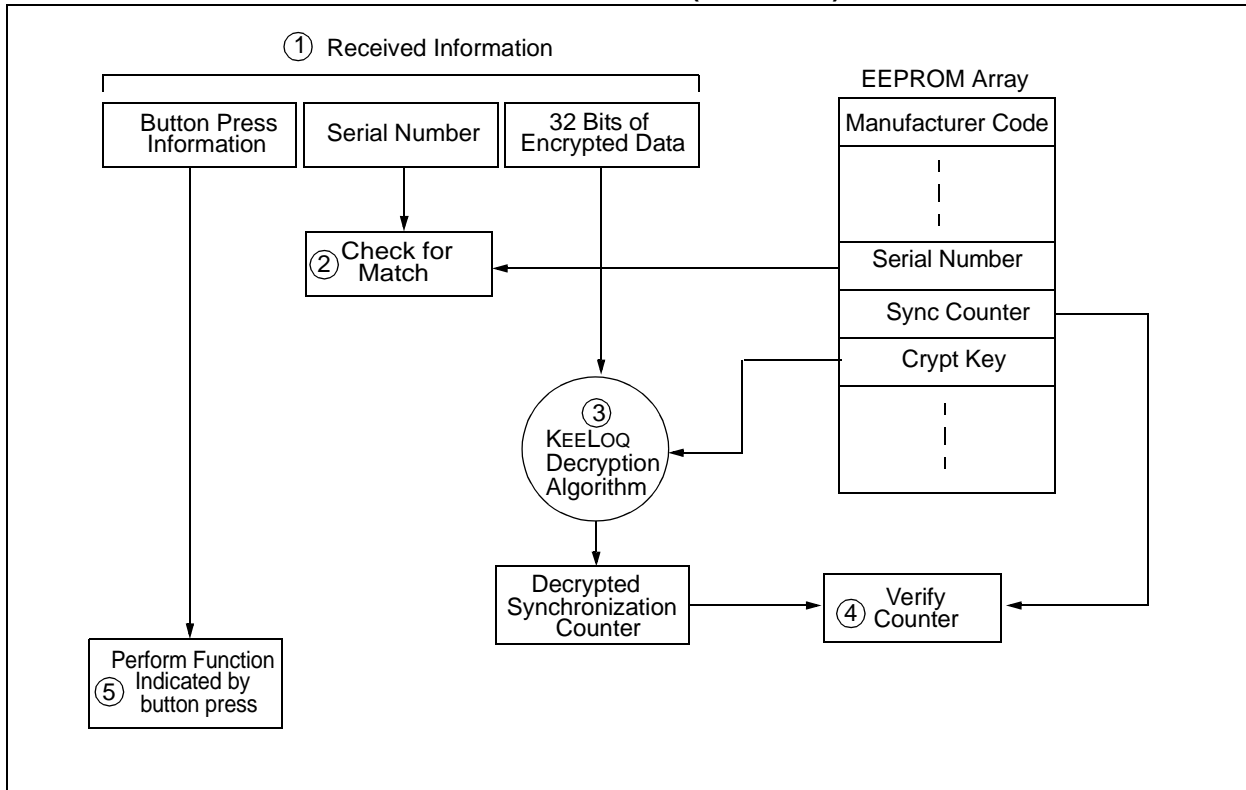


FIGURE 1-3: BASIC OPERATION OF RECEIVER (DECODER)



NOTE: Circled numbers indicate the order of execution.

2.0 DEVICE DESCRIPTION

As shown in the typical application circuits (Figure 2-1), the HCS365 is an easy device to use. It requires only the addition of buttons and RF circuitry for use as the encoder in your security application. A description of each pin is described in Table 2-1. Refer to Figure 2-2 for information on the I/O pins.

Note: S0-S3 inputs have pull-down resistors. VIN should be tied high if the step-up regulator is not used.

TABLE 2-1: PIN DESCRIPTIONS

Name	Pin Number	Description
S0	1	Switch input 0
S1	2	Switch input 1
S2	3	Switch input 2
S3/ SHIFT/ RFEN	4	Switch input 3, SHIFT button or RF Enable output
VSS	5	Ground reference
DATA	6	Data output pin/
LED	7	Open drain output for LED
VDD	8	Positive supply voltage

The HCS365 will normally be in a low power SLEEP mode. When a button input is taken high, the device will wake up, start the step-up regulator, and go through the button debounce delay of TDB before the button code is latched. In addition, the device will then read the configuration options. Depending on the configuration options and the button code, the device will determine what the data and modulation format will be for the transmission. The transmission will consist of a stream of code words and will be transmitted TPU after the button is pressed for as long as the buttons are held down or until a time-out occurs. The code word format can be either a code hopping format or a seed format.

The time-out time can be selected with the Time-out Select (TSEL) configuration option. This option allows the time-out to be set to 0.8s, 3.2s, 12.8s, or 25.6s. When a time-out occurs, the device will go into SLEEP mode to protect the battery from draining when a button gets stuck.

If the device is in the transmit process and detects that a new button is pressed, the current code word will be aborted, a new code word will be transmitted and the time-out counter will RESET. If all the buttons are released, a minimum number of code words will still be completed. The minimum code words can be set to 1, 2, 4, or 8 using the Minimum Code Words (MTX) configuration option. If the time for transmitting the minimum code words is longer than the time-out time, the device will not complete the minimum code words.

HCS365

The HCS365 has an onboard nonvolatile EEPROM. This EEPROM is used to store user programmable data and the synchronization counter. The data is programmed at the time of production and includes the security related information such as encoder keys, serial numbers, discrimination values, and seed values. All the security related options are read protected.

The initial counter value is also programmed at the time of production. From then on the device maintains the counter itself. The HCS365 has built in redundancy for protection and can recover from counter corruption.

The counter will not increment if the previous write was corrupted by low voltage RESET or power failure during TPLL. Instead, the counter will revert back to the previous count and the HCS370 will attempt to correct the bad bits. This will continue on every button press until the voltage increases and the counter is successfully corrected.

FIGURE 2-1: TYPICAL CIRCUITS

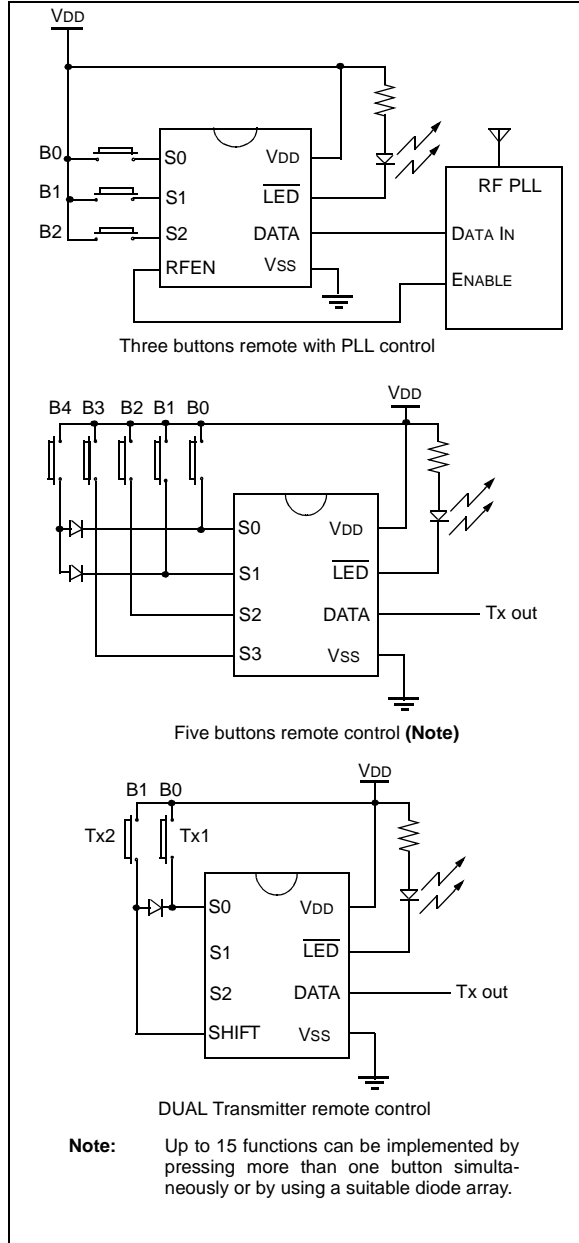


FIGURE 2-2: I/O CIRCUITS

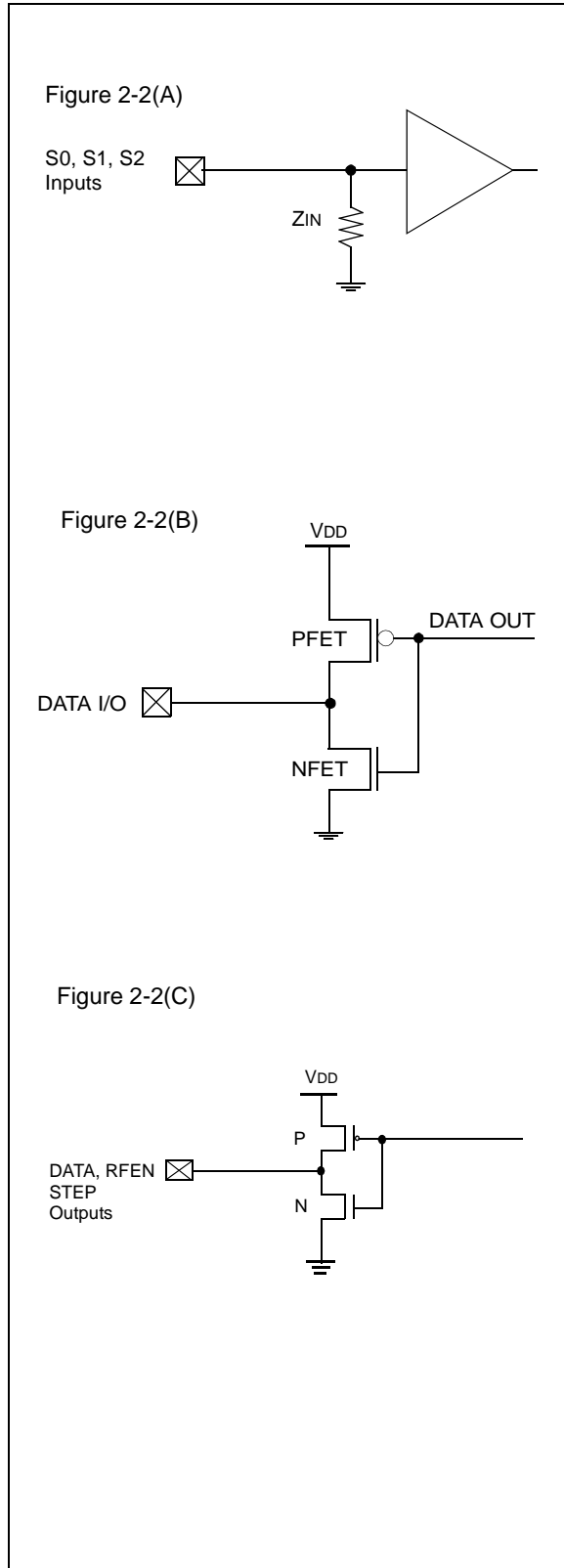
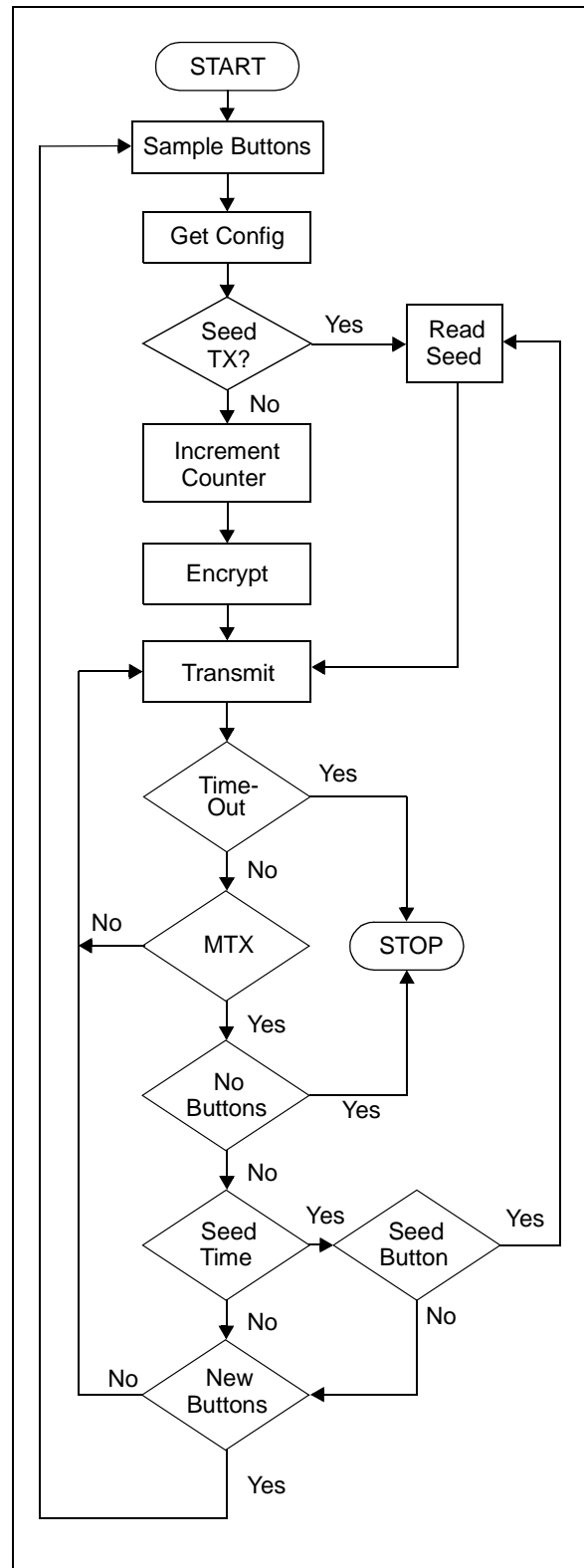


FIGURE 2-3: BASIC FLOW DIAGRAM OF THE DEVICE OPERATION



HCS365

3.0 EEPROM ORGANIZATION

A summary of the HCS370 EEPROM organization is shown in the three tables below. The address column shows the starting address of the option and its length or bit position. Options larger than 8 bits are stored with the Most Significant bits at the given address.

Enough consecutive 8-bit blocks are reserved for the entire option size. Options such as SEED1, which have a length that is not an exact multiple of 8 bits, is stored right justified in the reserved space. Additional smaller options such as SDBT1 may be stored in the same address as the Most Significant bits.

TABLE 3-1: ENCODER1 OPTIONS (SHIFT=0)

Symbol	Address ₁₆ :Bits	Description ⁽¹⁾			Reference Section
KEY1	1E: 64 bits	Encoder Key			3.2.2
SEED1	14: 60 bits	Encoder Seed Value			3.3
SYNC1	00: 20 bits 00: 18 bits	Encoder Synchronization Counter (CNTSEL=1) Encoder Synchronization Counter (CNTSEL=0) plus overflow			3.2, 3.2.1
SER1	10: 32 bits	Encoder Serial Number			3.2.2
DISC1	1C: 10 bits	Encoder Discrimination value			3.2, 3.2.1
MSEL1	1C: ---- 32--	Transmission Modulation Format	Value ₂	Format	4.1
			00	PWM	
			01	Manchester	
			10	VPWM	
HSEL1	1C: ---4 ----	Header Select	4 TE = 0	10 TE = 1	4.1
			00	10	
			01	10	
			10	10	
XSER1	1C: --5- ----	Extended Serial Number	28 bits = 0	32 bits = 1	3.2
QUEN1	1C: -6-- ----	Queue counter Enable	Disable = 0	Enable = 1	5.5
STEN1	1C: 7--- ----	START/STOP Pulse Enable	Disable = 0	Enable = 1	4.1
LEDBL1	3F: -6-- ----	Low Voltage LED Blink	Never = 0	Once = 1	5.3
LEDOS1	3F: 7--- ----	LED On Time Select ⁽¹⁾	50 ms = 0	100 ms = 1	5.3
SDLM1	3C: ---- --0	Limited Seed	Disable = 0	Enable = 1	3.3
SDMD1	3C: ---- --1-	Seed Mode	User = 0	Production = 1	3.3
SDBT1	14: 7654 ----	Seed Button Code			3.3
SDTM1	3C: ---- 32--	Time Before Seed Code Word ⁽¹⁾	Value ₂	Time (s)	3.3
			00	0.0	
			01	0.8	
			10	1.6	
BSEL1	3C: --54 ----	Transmission Baud Rate Select ⁽¹⁾	Value ₂	TE (μs)	4.1
			00	100	
			01	200	
			10	400	
GSEL1	3C: 76-- ----	Guard Time Select ⁽¹⁾	Value ₂	Time (ms)	4.1, 5.2
			00	00	
			01	6.4	
			10	51.2	
			11	102.4	

Note 1: All Timing values vary ±10%.

TABLE 3-2: ENCODER2 OPTIONS (SHIFT=1)

Symbol	Address ₁₆ :Bits	Description ⁽¹⁾			Reference Section
KEY2	34: 64 bits	Encoder Key			3.2.1
SEED2	2A: 60 bits	Encoder Seed Value			3.3
SYNC2	08: 20 bits 08: 18 bits	Encoder Synchronization Counter (CNTSEL=1) Encoder Synchronization Counter (CNTSEL=0) plus overflow			3.2, 3.2.1
SER2	26: 32 bits	Encoder Serial Number			3.2, 3.2.2
DISC2	32: 10 bits	Encoder Discrimination value			3.2, 3.2.1
MSEL2	32: ---- 32--	Transmission Modulation Format	Value ₂	Format	4.1
			00	PWM	
			01	Manchester	
			10	VPWM	
			11	PPM	
HSEL2	32: ---4 ----	Header Select	4 TE = 0	10 TE = 1	4.1
XSER2	32: --5- ----	Extended Serial Number	28 bits = 0	32 bits = 1	3.2
QUEN2	32: -6-- ----	Queue counter Enable	Disable = 0	Enable = 1	5.5
STEN2	32: 7--- ----	START/STOP Pulse Enable	Disable = 0	Enable = 1	4.1
LEDBL2	3D: -6-- ----	Low Voltage LED Blink	Never = 0	Once = 1	5.3
LEDOS2	3D: 7--- ----	LED On Time Select ⁽¹⁾	50 ms = 0	100 ms = 1	5.3
SDLM2	3E: ---- ---0	Limited Seed	Disable = 0	Enable = 1	3.3
SDMD2	3E: ---- --1-	Seed Mode	User = 0	Production = 1	3.3
SDBT2	2A: 7654 ----	Seed Button Code			3.3
SDTM2	3E: ---- 32--	Time Before Seed Code word ⁽¹⁾	Value ₂	Time (s)	3.3
			00	0.0	
			01	0.8	
			10	1.6	
			11	3.2	
BSEL2	3E: --54 ----	Transmission Baud Rate Select ⁽¹⁾	Value ₂	TE (μs)	4.1
			00	100	
			01	200	
			10	400	
			11	800	
GSEL2	3E: 76-- ----	Guard Time Select ⁽¹⁾	Value ₂	Time (ms)	4.1, 5.2
			00	2 TE	
			01	6.4	
			10	51.2	
			11	102.4	

Note 1: All Timing values vary ±10%.

Note 2: Voltage thresholds are ±150 mV.

HCS365

TABLE 3-3: DEVICE OPTIONS

Symbol	Address ₁₆ :Bits	Description ⁽¹⁾			Reference Section
WAKE	3F: ---- --10	Wake-up ⁽¹⁾	Value ₂	Value	4.1
			00	No Wake-up	
			01	75 ms 50%	
			10	50 ms 33.3%	
			11	100 ms 16.7%	
CNTSEL	3F: ---- -2--	Counter Select	16 bits = 0	20 bits = 1	3.2.1
VLOWL	3F: ---- 3---	Low Voltage Latch Enable	Disable = 0	Enable = 1	3.2.3.1
VLOWSEL	3F: ---4 ----	Low Voltage Trip Point Select ⁽²⁾	2.2 V = 0	3.2V = 1	3.2.3.1
PLLSEL	3F: --5- ----	PLL Interface Select	ASK = 0	FSK = 1	5.2
MTX	3D: ---- --10	Minimum Code Words	Value ₂	Value	2.0
			00	1	
			01	2	
			10	4	
			11	8	
TSEL	3D: --54 ----	Time-out Select ⁽¹⁾	Value ₂	Time(s)	2.0
			00	0.8	
			01	3.2	
			10	12.8	
			11	25.6	
DUAL	3D:-----2--	Dual Encoder Enable	Disable = 0	Enable = 1	
RFENO	3D: ----3---	RF Enable Output Select	Disable = 0	Enable = 1	

Note 1: All Timing values vary $\pm 10\%$.
 2: Voltage thresholds are ± 150 mV.

3.1 Dual Encoder Operation

The HCS365 contains two transmitter configurations with separate serial numbers, encoder keys, discrimination values, counters, and seed values. This means that the HCS365 can be used as two independent encoders. The code word is calculated using one of two possible encoder configurations. Most options for code word and modulation formats can be different from Encoder 1 and Encoder 2. However, LED and RF transmitter options have to be the same. The SHIFT input pin is used to select between the encoder configurations. A low on the SHIFT pin will select Encoder 1 and a high will select Encoder 2.

3.2 Code Word Format

A KEELOQ code word consists of 32 bits of hopping code data, 32 bits of fixed code data, and between 3 to 5 bits of status information. Various code word formats are shown in Figure 3-1 and Figure 3-2.

3.2.1 HOPPING CODE PORTION

The hopping code portion is calculated by encrypting the counter, discrimination value, and function code with the Encoder Key (KEY). The hopping code is calculated when a button press is debounced and remains unchanged until the next button press.

The counter can be either a 16- or 20-bit counter. The Configuration Option Counter Select (CNTSEL) value will determine this. The counter select option must be the same for both Encoder 1 and Encoder 2. If the 16-bit counter is selected, the discrimination value is 10 bits long and there are 2 counter overflow bits (OVR0, OVR1). Set both bits in production and OVR0 will be cleared on the first counter overflow and OVR1 on the second.

If the counter is 20 bits, the discrimination value is 8 bits long and there are no overflow bits. The rest of the 32 bits are made up of the function code also known as the button inputs.

The discrimination value can be programmed with any value to serve as a post decryption check on the decoder end. In a typical system, this will be programmed with the 8 or 10 Least Significant bits of the

serial number. This will be stored by the receiver system after a transmitter has been learned. The discrimination bits are part of the information that is to form the encrypted portion of the transmission.

3.2.2 FIXED CODE PORTION

The 32 bits of fixed code consist of 28 bits of the serial number (SER) and a copy of the 4-bit function code. This can be changed to contain the whole 32-bit serial number by setting the Extended Serial Number (XSER) configuration option to a 1. If more than one button is pressed, the function codes are logically OR'ed together. The function code is repeated in the encrypted and unencrypted data of a transmission.

TABLE 3-4: FUNCTION CODES

Button	Function Code
S0	xx1x ₂
S1	x1xx ₂
S2	1xxx ₂
S3	xxx1 ₂

3.2.3 STATUS INFORMATION

The status bits will always contain the output of the Low Voltage (VLOW) detector and Cyclic Redundancy Check (CRC). If Queue (QUEN) is enabled, button queue information will be included in the code words.

FIGURE 3-1: CODE WORD DATA FORMAT (16-BIT COUNTER)

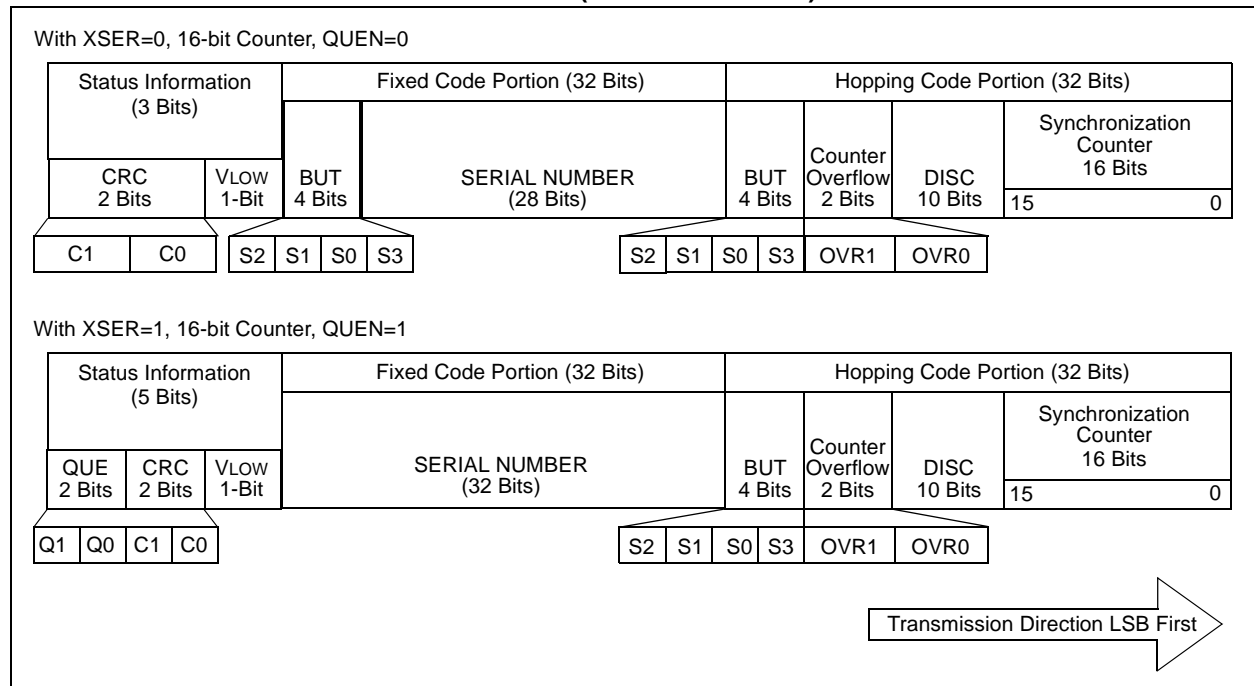
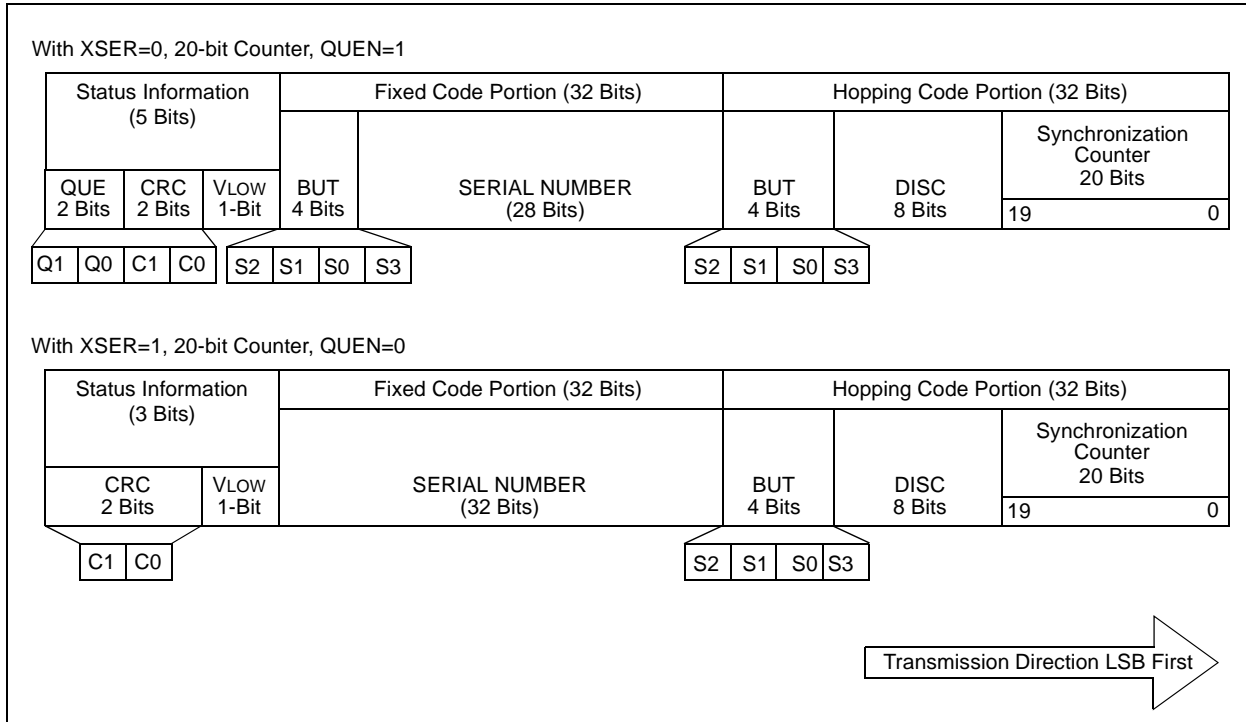


FIGURE 3-2: CODE WORD DATA FORMAT (20-BIT COUNTER)



3.2.3.1 Low Voltage Detector Status (VLOW)

A low battery voltage detector onboard the HCS365 can indicate when the operating voltage drops below a predetermined value. There are two options available depending on the Low Voltage Trip Point Select (VLOWSEL) configuration option. The two options provided are:

- A 2.2V nominal level for 3V operation
- A 3.2V nominal level for 5V operation

The output of the low voltage detector is transmitted in each code word, so the decoder can give an indication to the user that the transmitter battery is low. Operation of the LED changes as well to further indicate that the battery is low and needs replacing.

The output of the Low Voltage Detector can also be latched once it has dropped below the selected value. The Low Voltage Latch (VLOWL) configuration option enables this option. If this option is enabled, the detector level is raised to 3V or 5V once a low battery voltage has been detected. The original value is reinstated if the VDD voltage is raised above this level, indicating that a new battery has been installed.

The Low Voltage Latch (VLOWL) if enabled works similar to a Schmitt Trigger. This will effectively hold the VLOW bit high until the battery is replaced. If the Low Voltage Latch is enabled, then the break after the first preamble pulse can stretch by 4 ms one time as the latch changes state.

3.3 Seed Code Word Data Format

A seed transmission transmits a code word that consists of 60 bits of fixed data that is stored in the EEPROM. This can be used for secure learning of encoders or whenever a fixed code transmission is required. The seed code word contains the function code. The seed code also contains the status information (VLOW, CRC, and QUEUE). The Seed code word format is shown in Figure 3-3. The function code for seed code words is always 1111₂.

Seed code words for Encoder 1 and Encoder 2 can be configured as follows:

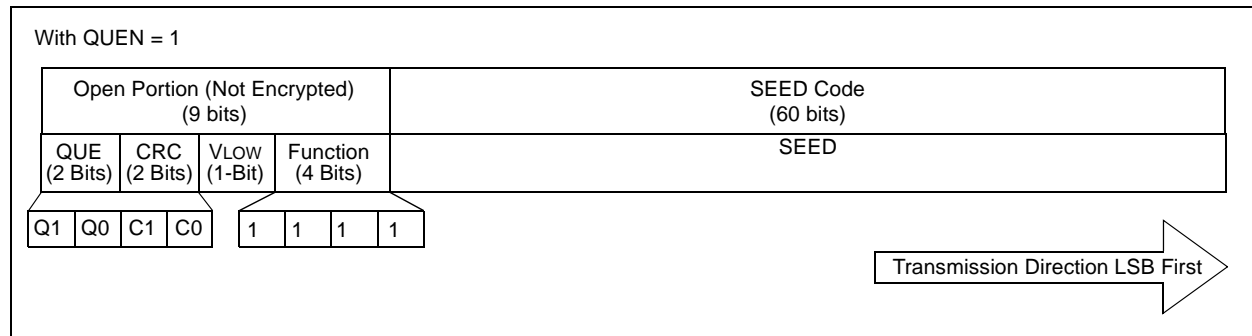
- Enabled with the Seed Button Code (SDBT) configuration option or disabled if SDBT = 0000₂.
- If the Limited Seed (SDLM) configuration option is set, seed transmissions will be disabled when the synchronization counter is bigger than 127. Seed transmissions remain disabled even if the 16/20-bit counter rolls over to 0.
- The delay before the seed transmission is transmitted can be set to 0.0s, 0.8s, 1.6s and 3.2s with the Seed Time (SDTM) configuration option. When SDTM is set to a value other than 0.0s, the HCS365 will transmit a code hopping transmission until the selected time expires. After the selected time expires, the seed code words are transmitted. This is useful for the decoder to learn

the serial number and the seed from a single button press.

- The button code for transmitting a seed code word can be selected with the Seed Button (SDBT) configuration option. SDBT bits 0 to 3 correspond to button inputs S0 to S3. Set the bits high for the button combination that should trigger a seed transmission (i.e., If SDBT = 1010₂ then, S3+S1 will trigger a seed transmission).
- The seed transmissions before the counter increments past 128 can be modified with the Seed Mode (SDMD) configuration option. Setting this bit for Production mode will cause the selected seed button combination to first transmit a normal hopping code word for the selected Minimum Code words (MTX) and then at least MTX seed code words until all buttons are released. This mode is disabled after the counter reaches 128 even if the 16/20-bit counter rolls over to 0.
- The limit of 127 for SDLM or SDMD can be reduced by using an initial counter value >0.

Note: The synchronization counter only increments on code hopping transmissions. The counter will not advance on a seed transmission unless Seed Delay or Production mode options are on.

FIGURE 3-3: SEED CODE WORD FORMAT



HCS365

4.0 TRANSMITTED WORD

4.1 Transmission Modulation Format

The HCS365 transmission is made up of several code words. Each code word contains a preamble, header, and data. A code word is separated from another code word by guard time. The Guard Time Select (GSEL) configuration option can be set to 0 ms, 6.4 ms, 51.2 ms, or 102.4 ms.

All other timing specifications for the modulation formats are based on a basic timing element (TE). This Timing Element can be set to 100 μ s, 200 μ s, 400 μ s or 800 μ s with the Baud Rate Select (BSEL) configuration

option. The Header time can be set to 4TE or 10TE with the Header Select (HSEL) configuration option. These options can all be set individually for Encoder 1 and Encoder 2.

There are four different modulation formats available on the HCS365 that can be set individually for Encoder 1 or Encoder 2. The Modulation Select (MSEL) Configuration Option is used to select between:

- Pulse Width Modulation (PWM)
- Manchester (MAN)
- Variable Pulse Width Modulation (VPWM)
- Pulse Position Modulation (PPM)

FIGURE 4-1: PULSE WIDTH MODULATION (PWM)

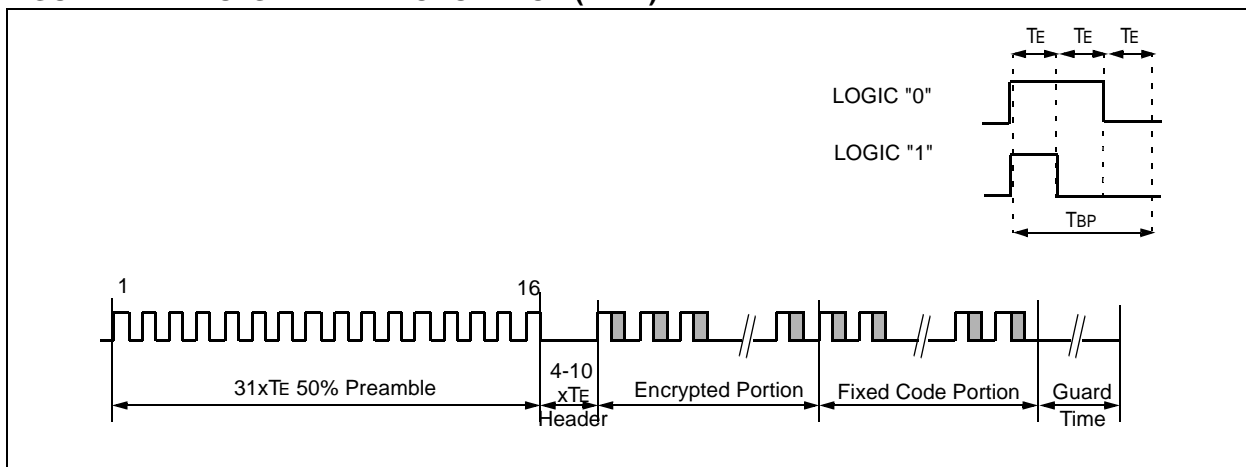


FIGURE 4-2: MANCHESTER (MAN)

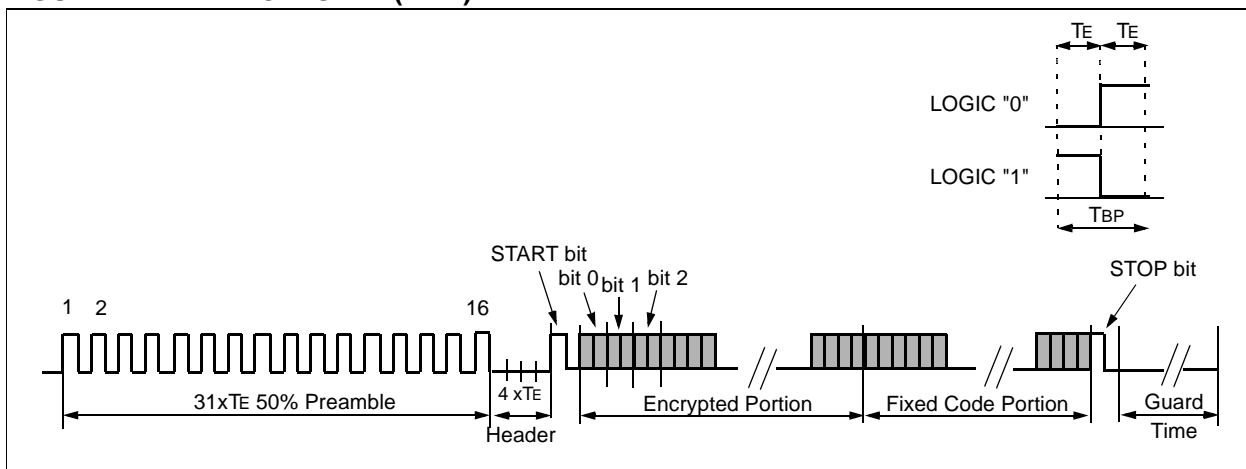


FIGURE 4-3: VARIABLE PULSE WIDTH MODULATION (VPWM)

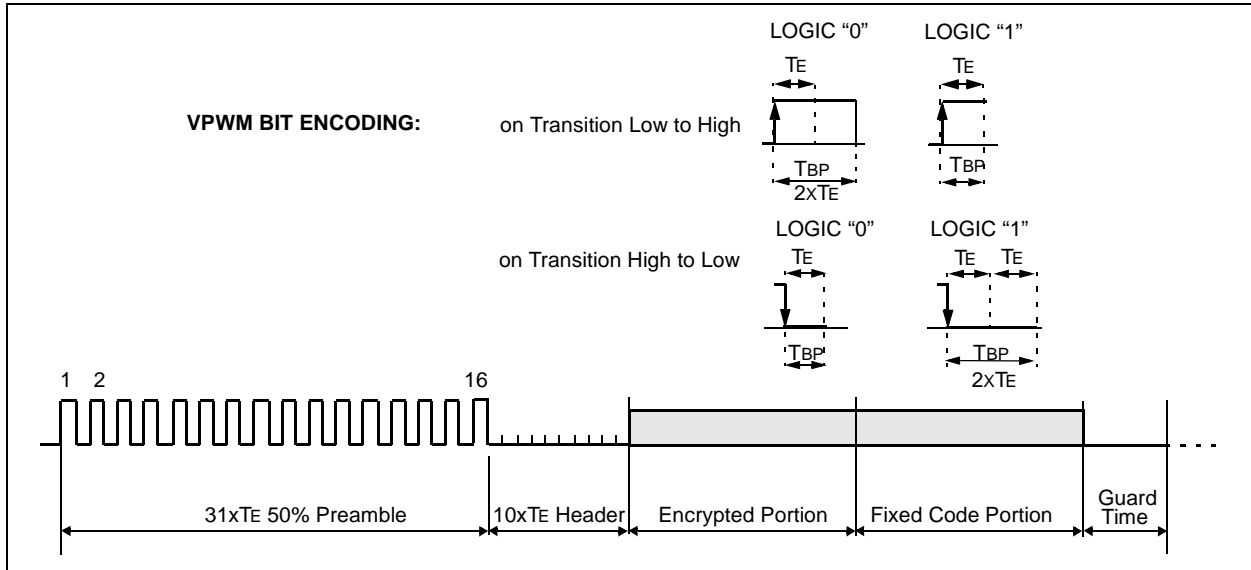
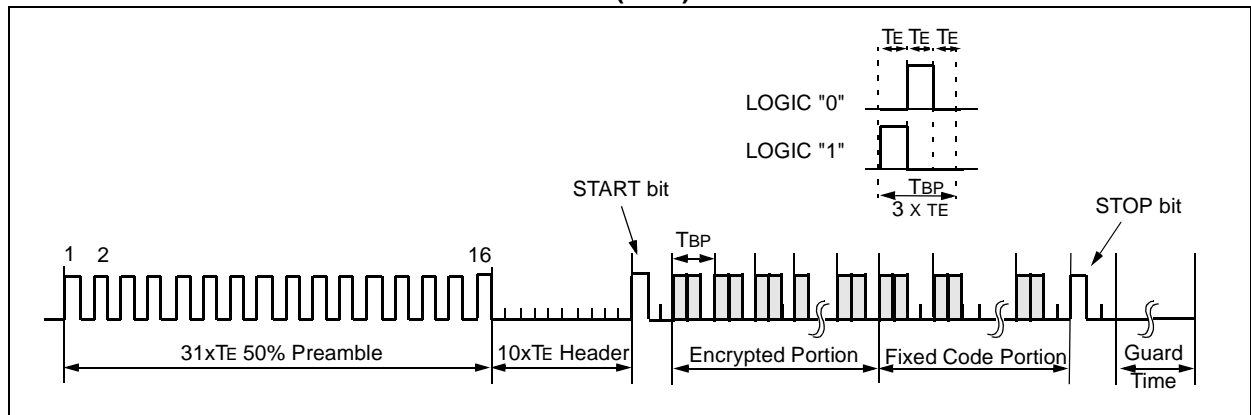


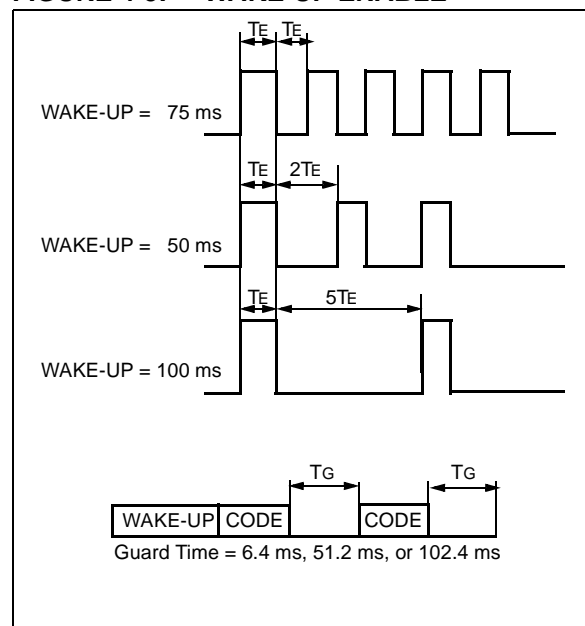
FIGURE 4-4: PULSE POSITION MODULATION (PPM)



In addition to the Modulation Format, Guard Time, and Baud Rate, the following options are also available to change the transmission format:

- If the START/STOP Pulse Enable (STEN) configuration option is enabled, the HCS365 will place a leading and trailing '1' on each code word. This is necessary for modulation formats such as Manchester and PPM to interpret the first and last data bit.
- A wake-up sequence can be transmitted before the transmission starts. The wake-up sequence is configured with the Wake-up (WAKE) configuration option and can be disabled or set to 50 ms, 75 ms, or 100 ms of pulses as indicated in Figure 4-5.
- The WAKE option is the same for both Encoder 1 and Encoder 2.

FIGURE 4-5: WAKE-UP ENABLE



5.0 SPECIAL FEATURES

5.1 Internal RC Oscillator

The HCS365 has an onboard RC oscillator that controls all the logic output timing characteristics. The oscillator frequency varies over temperature and voltage variances, but stays within $\pm 10\%$ of the tuned value. All the timing values specified in this document are subject to this oscillator variation.

5.2 RF Enable and PLL Interface

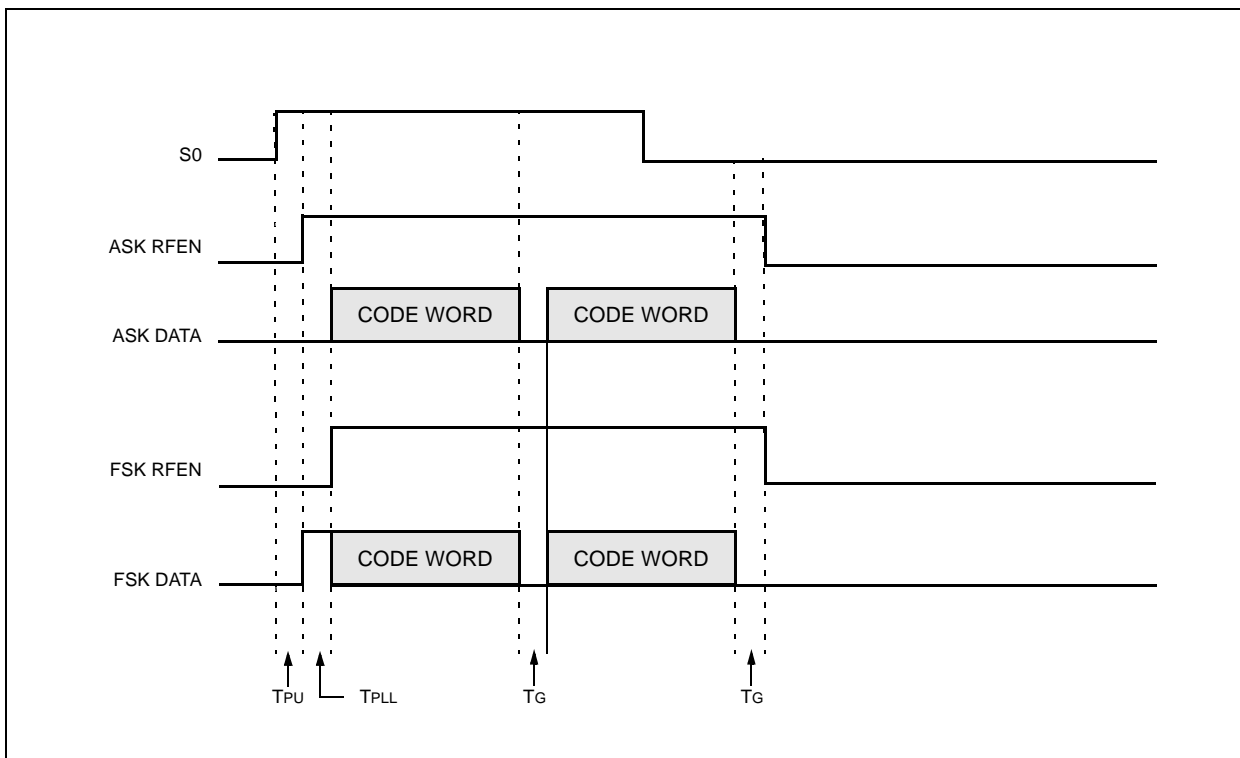
The S3/SHIFT/RFEN pin of the HCS365 can be configured to function as a RF enable output signal. This is done with the RF Enable Output (RFENO) configura-

tion option. When enabled, this pin will be driven high whenever data is transmitted through the DATA pin. If the RFEN output is enabled it will not be possible to utilize the dual encoder functionality.

In addition, the RF Enable and DATA output interfaces with RF PLL's. The PLL interface select (PLLSEL) configuration option selects between the ASK and FSK interfaces. Figure 5-1 shows the startup sequence for both ASK and FSK interface options. The RFEN signal will go low at the end of the last code word, including the guard time.

If RFENO = 1, the RFEN pin will be driven high whenever data is transmitted through the DATA pin.

FIGURE 5-1: ASK/FSK INTERFACE



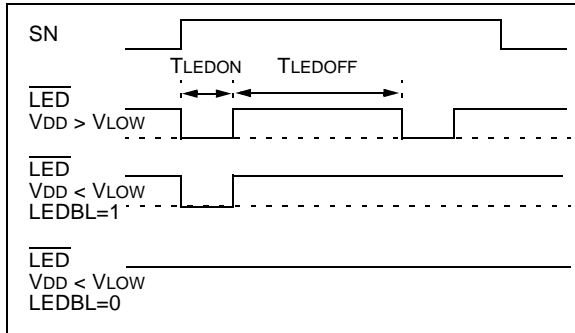
5.3 LED Output

The LED pin will be driven low while the HCS365 is transmitting data. The LED On Time (TLEDON) can be selected between 50 ms and 100 ms with the LED On Time Select (LEDOS) configuration option. The LED Off Time (TLEDOFF) is fixed at 500 ms. When the VDD voltage drops below the selected VLOW trip point, the LED will not blink unless the LED Blink (LEDBL) option is set. If LEDBL is set and VDD is low, then the LED will only flash once. Waveforms of the LED behavior are shown in Figure 5-2.

For circuits with VDD greater than 3 volts, be sure to limit the LED circuit with a series resistor. The LED output can safely sink up to 25 mA but adding an external

resistor will conserve battery power. This is an open drain output but it does have a weak pull-up capable of driving a CMOS input.

FIGURE 5-2: LED OPERATION



5.4 Cyclic Redundancy Check (CRC)

The CRC bits are calculated on the 65 previously transmitted bits. These bits contain the 32-bit hopping code, 32-bit fixed code, and VLOW bit. The decoder can use the CRC bits to check the data integrity before processing starts. The CRC can detect all single bit errors and 66% of double bit errors. The CRC is computed as follows:

EQUATION 5-1: CRC Calculation

$$CRC[I]_{n+1} = CRC[0]_n \oplus Di_n$$

and

$$CRC[0]_{n+1} = (CRC[0]_n \oplus Di_n) \oplus CRC[I]_n$$

with

$$CRC[I, 0]_0 = 0$$

and Di_n the nth transmission bit $0 \leq n \leq 64$

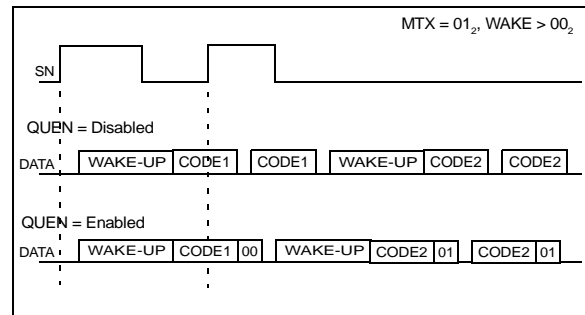
5.5 Button Queue Information (QUEUE)

The queuing or repeated pressing of the same buttons can be handled in two ways on the HCS365. This is controlled with the Queue Counter Enable (QUEN) configuration option. This option can be different for Encoder 1 and Encoder 2.

When the QUEN option is disabled, the device will register up to two sequential button presses. In this case, the device will complete the minimum code words selected with the MTX option before the second code word is calculated and transmitted. The code word will be 67 bits in this case, with no additional queue bits transmitted.

If the QUEN option is enabled, the queue bits are added to the standard code word. The queue bits are a 2-bit counter that does not wrap. The counter value starts at 00_2 and is incremented if a button is pushed within 2 seconds from the start of the previous button press. The current code word is terminated when a button is queued. This allows additional functionality for double or triple button presses.

FIGURE 5-3: CODE WORD COMPLETION WITH QUEN SETTINGS



6.0 PROGRAMMING SPECIFICATIONS

Refer to the "HCS365 Programming Specifications" document (DS41157) in Microchip Literature.

7.0 INTEGRATING THE HCS365 INTO A SYSTEM

Use of the HCS365 in a system requires a compatible decoder. This decoder is typically a microcontroller with compatible firmware. Microchip will provide (via a license agreement) firmware routines that accept transmissions from the HCS365 and decrypt the hopping code portion of the data stream. These routines provide system designers the means to develop their own decoding system.

7.1 Learning a Transmitter to a Receiver

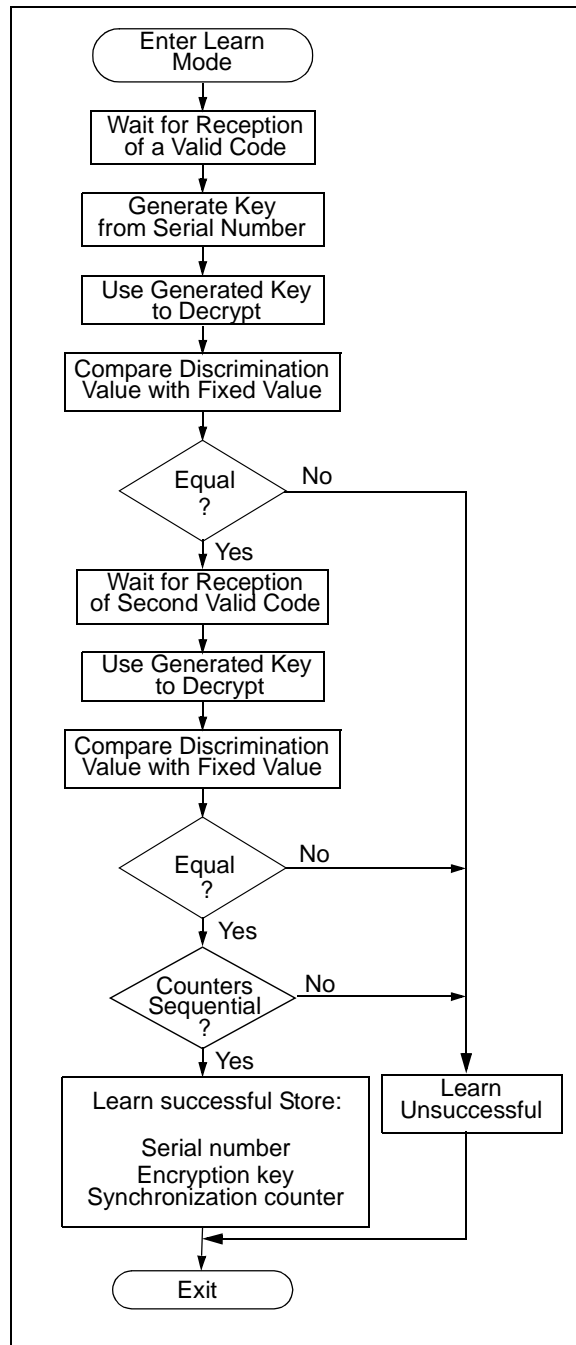
A transmitter must first be 'learned' by a decoder before its use is allowed in the system. Several learning strategies are possible. Figure 7-1 details a typical learn sequence. The decoder must minimally store each learned transmitter's serial number and current synchronization counter value in EEPROM. Additionally, the decoder typically stores each transmitter's unique crypt key. The maximum number of learned transmitters will therefore be relative to the available EEPROM.

A transmitter's serial number is transmitted in the 32-bit fixed code, but the synchronization counter only exists in the code word's encrypted portion. The decoder obtains the counter value by decrypting using the same key used to encrypt the information. The KEELOQ algorithm is a symmetrical block cipher so the encryption and decryption keys are identical and referred to generally as the crypt key. The encoder receives its crypt key during manufacturing. The decoder typically calculates the crypt key by running the encoder serial number or seed through the key generation routine.

Figure 7-1 summarizes a typical learn sequence. The decoder receives and authenticates a first transmission; first button press. Authentication involves generating the appropriate crypt key, decrypting, validating the correct key usage via the discrimination bits, and buffering the counter value. A second transmission is received and authenticated. A final check verifies the counter values were sequential; consecutive button presses. If the learn sequence is successfully completed, the decoder stores the learned transmitter's serial number, current synchronization counter value, and appropriate crypt key. From now on, the crypt key will be retrieved from EEPROM during normal operation instead of recalculating it for each transmission received.

Certain learning strategies have been patented by 3rd parties and care must be taken not to infringe.

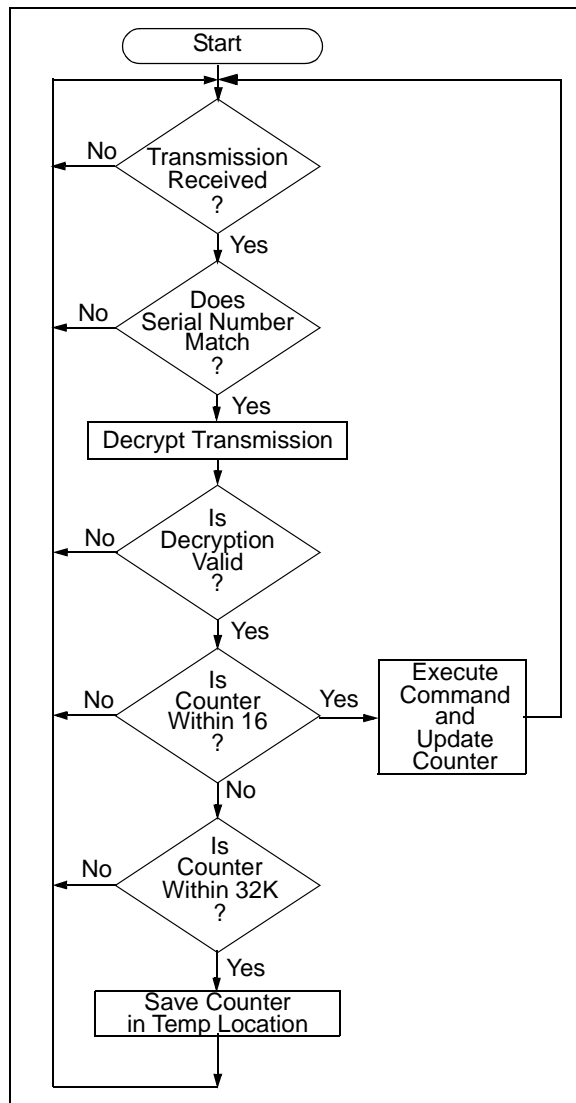
FIGURE 7-1: TYPICAL LEARN SEQUENCE



7.2 Decoder Operation

Figure 7-2 summarizes normal decoder operation. The decoder waits until a transmission is received. The received serial number is compared to the EEPROM table of learned transmitters to first determine if this transmitter's use is allowed in the system. If from a learned transmitter, the transmission is decrypted using the stored crypt key and authenticated via the discrimination bits for appropriate crypt key usage. If the decryption was valid the synchronization value is evaluated.

FIGURE 7-2: TYPICAL DECODER OPERATION



7.3 Synchronization with Decoder (Evaluating the Counter)

The KEELOQ technology patent scope includes a sophisticated synchronization technique that does not require the calculation and storage of future codes. The technique securely blocks invalid transmissions while providing transparent resynchronization to transmitters inadvertently activated away from the receiver.

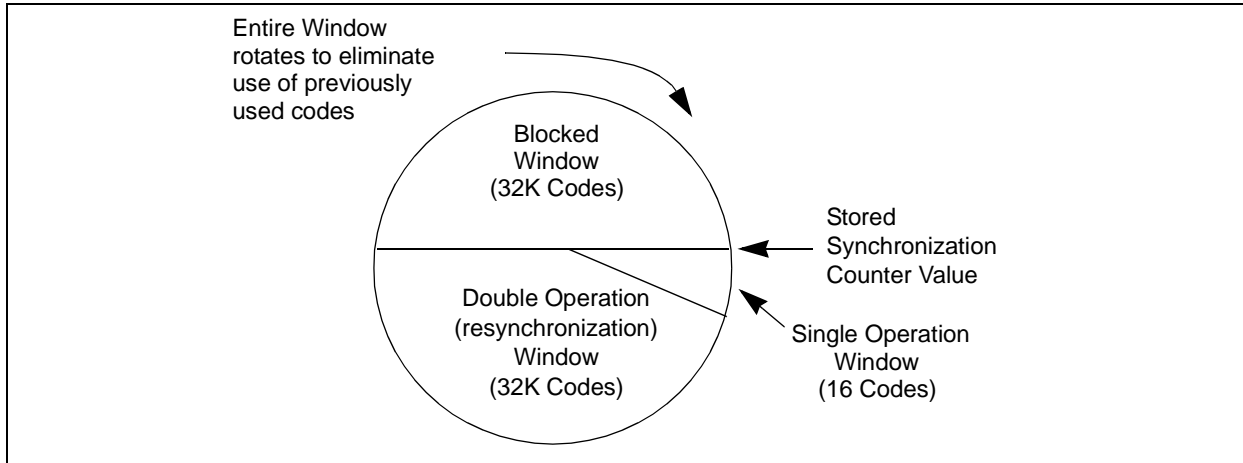
Figure 7-3 shows a 3-partition, rotating synchronization window. The size of each window is optional but the technique is fundamental. Each time a transmission is authenticated, the intended function is executed and the transmission's synchronization counter value is stored in EEPROM. From the currently stored counter value there is an initial "Single Operation" forward window of 16 codes. If the difference between a received synchronization counter and the last stored counter is within 16, the intended function will be executed on the single button press and the new synchronization counter will be stored. Storing the new synchronization counter value effectively rotates the entire synchronization window.

A "Double Operation" (resynchronization) window further exists from the "Single Operation" window up to 32K codes forward of the currently stored counter value. It is referred to as "Double Operation" because a transmission with synchronization counter value in this window will require an additional, sequential counter transmission prior to executing the intended function. Upon receiving the sequential transmission the decoder executes the intended function and stores the synchronization counter value. This resynchronization occurs transparently to the user as it is human nature to press the button a second time if the first was unsuccessful.

The third window is a "Blocked Window" ranging from the double operation window to the currently stored synchronization counter value. Any transmission with synchronization counter value within this window will be ignored. This window excludes previously used, perhaps code-grabbed transmissions from accessing the system.

Note: The synchronization method described in this section is only a typical implementation and because it is usually implemented in firmware, it can be altered to fit the needs of a particular system.

FIGURE 7-3: SYNCHRONIZATION WINDOW



7.4 Security Considerations

The strength of this security is based on keeping a secret inside the transmitter that can be verified by encrypted transmissions to a trained receiver. The transmitter's secret is the manufacturer's key, not the encryption algorithm. If that key is compromised then a smart transceiver can capture any serial number, create a valid code word, and trick all receivers trained with that serial number. The key cannot be read from the EEPROM without costly die probing but it can be calculated by brute force decryption attacks on transmitted code words. The cost for these attacks should exceed what you would want to protect.

To protect the security of other receivers with the same manufacturer's code, you need to use the random seed for secure learn. It is a second secret that is unique for each transmitter. Its transmission on a special button press combination can be disabled if the receiver has another way to find it, or limited to the first 127 transmissions for the receiver to learn it. This way, it is very unlikely to ever be captured. Now if a manufacturer's key is compromised, clone transmitters can be created, but without the unique seed they have to be relearned by the receiver. In the same way, if the transmissions are decrypted by brute force on a computer, the random seed hides the manufacturer's key and prevents more than one transmitter from being compromised.

The length of the code word at these baud rates makes brute force attacks that guess the hopping code take years. To make the receiver less susceptible to this attack, make sure that you test all the bits in the decrypted code for the correct value. Do not just test low counter bits for sync and the bit for the button input of interest.

The main benefit of hopping codes is to prevent the retransmission of captured code words. This works very well for code words that the receiver decodes. Its weakness is if a code is captured when the receiver misses it, the code may trick the receiver once if it is used before the next valid transmission. To make the

receiver more secure it could increment the counter on questionable code word receptions. To make the transmitter more secure, it could use separate buttons for lock and unlock functions. Another way would be to require two different buttons in sequence to gain access.

There are more ways to make KEELOQ systems more secure, but they all have trade-offs. You need to find a balance between security, design effort, and usability, particularly in failure modes. For example, if a button sticks or kids play with it, the counter should not end up in the blocked code window rendering the transmitter useless or requiring retraining.

8.0 DEVELOPMENT SUPPORT

The KEELOQ[®] family of devices are supported with a full range of hardware and software development tools:

- Integrated Development Environment
 - MPLAB[®] IDE Software
 - KEELOQ Toolkit Software
- Device Programmers
 - PRO MATE[®] II Universal Device Programmer
- Low Cost Demonstration Boards
 - KEELOQ Evaluation Kit II
 - KEELOQ Transponder Evaluation Kit

8.1 MPLAB Integrated Development Environment Software

The same MPLAB IDE software available at www.microchip.com that is used for microcontroller software development also supports the KEELOQ family of devices. With this Windows[®]-based application you can configure the device options in a graphical environment. The manufacturer's code is protected by two custodian keys so that the secret is split and neither employee can reveal the code alone. Once both custodian keys have been entered and the options selected, MPLAB IDE software is ready to produce parts in one of two ways.

- The PRO MATE II Programmer, which is sold separately, can program individual parts. MPLAB IDE software can automatically increment the serial number and recalculate the unique encryption key, discrimination value and seed for each part.
- Creating an SQTPSM file that contains all the individual device configurations to submit to Microchip for a production run without revealing your manufacturer's code. Please contact Microchip sales office etc., minimum order quantities apply.

8.2 KEELOQ[®] Toolkit Software

The KEELOQ[®] Secure Solution CD-ROM is available free and can be ordered with part number DS40038. After accepting the KEELOQ license agreement, it will let you install application notes with complete decoder algorithms as well as the KEELOQ toolkit. The toolkit is a handy application that generates encryption keys from the manufacturer's code and serial number or seed. It can also decrypt KEELOQ transmitter's hopping code to help debug and test your decoder software.

8.3 PRO MATE II Universal Device Programmer

The PRO MATE II universal device programmer is a full-featured programmer, capable of operating in stand-alone mode, as well as PC-hosted mode. The PRO MATE II device programmer is CE compliant.

The PRO MATE II device programmer has programmable VDD and VPP supplies, which allow it to verify programmed memory at VDD min and VDD max for maximum reliability. It has an LCD display for instructions and error messages, keys to enter commands and a modular detachable socket assembly to support various package types.

Microchip has various socket adapter modules available for PDIP, SOIC and SSOP devices. An In-Circuit Serial Programming[™] (ICSP[™]) module is also available for programming devices after circuit assembly.

8.4 KEELOQ Evaluation Kit II

The KEELOQ Evaluation Kit II contains all the necessary hardware to evaluate a code hopping system, including two transmitters and a multi-function receiver board that supports all HCS5XX stand-alone decoders. Additionally, it allows the users to develop their own software to receive, decode and interpret the KEELOQ transmission. The included PC software can configure and program the KEELOQ parts for evaluation (DM303006).

8.5 KEELOQ Transponder Evaluation Kit

The KEELOQ Transponder Evaluation Kit consists of a base station, a transmitter/transponder, a battery-less transponder and various HCS4XX samples. It also includes the PC software to configure and program the KEELOQ parts for evaluation (DM303005).

TABLE 8-1: DEVELOPMENT TOOLS FROM MICROCHIP

Development Tools	PIC12CXX rPIC12XX	PIC1400	PIC16C5X	PIC16C6X	PIC16CXX	PIC16F62X	PIC16C7X	PIC16C7XX	PIC16C8X	PIC16F8XX	PIC16C9XX	PIC17C4X	PIC17C7XX	PIC18CXX2	PIC18FXX	24CXX/ 25CXX/ 93CXX	HCSXX rHCSXX	MCRFXX	MCP2510
MPLAB® Integrated Development Environment	✓	✓	✓	✓	✓	✓	✓	✓	✓	✓	✓	✓	✓	✓	✓	✓	✓		
MPLAB® C17 C Compiler																			
MPLAB® C18 C Compiler																			
MPASM™ Assembler/ MPLINK™ Object Linker	✓	✓	✓	✓	✓	✓	✓	✓	✓	✓	✓	✓	✓	✓	✓	✓	✓		
MPLAB® ICE In-Circuit Emulator	✓	✓	✓	✓	✓	✓	✓	✓	✓	✓	✓	✓	✓	✓	✓	✓	✓		
MPLAB® ICD In-Circuit Debugger				✓			✓			✓					✓				
PICSTART® Plus Entry Level Development Programmer	✓	✓	✓	✓	✓	✓	✓	✓	✓	✓	✓	✓	✓	✓	✓	✓	✓		
PRO MATE® II Universal Device Programmer	✓	✓	✓	✓	✓	✓	✓	✓	✓	✓	✓	✓	✓	✓	✓	✓	✓		
PICDEM™ 1 Demonstration Board			✓				†		✓										
PICDEM™ 2 Plus Demonstration Board				†			†			✓									
PICDEM™ 3 Demonstration Board											✓								
PICDEM™ 14A Demonstration Board																			
PICDEM™ 17 Demonstration Board													✓						
KEELOQ® Evaluation Kit II																	✓		
KEELOQ® Transponder Kit																	✓		
microID™ Programmer's Kit																		✓	
125 kHz microID™ Developer's Kit																		✓	
125 kHz Anticollision microID™ Developer's Kit																		✓	
13.56 MHz Anticollision microID™ Developer's Kit																		✓	
MCP2510 CAN Developer's Kit																		✓	✓

* Contact the Microchip Technology Inc. web site at www.microchip.com for information on how to use the MPLAB® ICD In-Circuit Debugger (DV164001) with PIC16C62, 63, 64, 65, 72, 73, 74, 76, 77.

** Contact Microchip Technology Inc. for availability date.

† Development tool is available on select devices.

9.0 ELECTRICAL CHARACTERISTICS

9.1 Maximum Ratings*

Ambient temperature under bias	-40°C to +125°C
Storage temperature	-65°C to +150°C
Voltage on VDD w/respect to VSS	-0.3 to +7.5V
Voltage on $\overline{\text{LED}}$ w/respect to VSS	-0.3 to +11V
Voltage on all other pins w/respect to VSS	-0.3V to VDD + 0.3V
Total power dissipation (Note 1)	500 mW
Maximum current out of VSS pin	100 mA
Maximum current into VDD pin	100 mA
Input clamp current, I _{IK} (V _I < 0 or V _I > VDD)	± 20 mA
Output clamp current, I _{OK} (V _O < 0 or V _O > VDD)	± 20 mA
Maximum output current sunk by any Output pin	25 mA
Maximum output current sourced by any Output pin	25 mA

***Notice:** Stresses above those listed under “Maximum ratings” may cause permanent damage to the device. This is a stress rating only and functional operation of the device at those or any other conditions above those indicated in the operational listings of this specification is not implied. Exposure to maximum rating conditions for extended periods may affect device reliability.

Note 1: Power dissipation is calculated as follows: $P_{dis} = V_{DD} \times \{I_{DD} - \hat{A} I_{OH}\} + \hat{A} \{(V_{DD} - V_{OH}) \times I_{OH}\} + \hat{A} (V_{OL} \times I_{OL})$.

HCS365

TABLE 9-1: DC CHARACTERISTICS: HCS365

DC Characteristics All Pins Except Power Supply Pins			Standard Operating Conditions (unless otherwise stated) Operating Temperature $0^{\circ}\text{C} \leq T_A \leq +70^{\circ}\text{C}$ (Commercial) $-40^{\circ}\text{C} \leq T_A \leq +85^{\circ}\text{C}$ (Industrial)				
Param No.	Sym.	Characteristic	Min.	Typ.†	Max.	Units	Conditions
D001	VDD	Supply Voltage	2.05 ⁽⁴⁾	—	5.5	V	
D003	VPOR	VDD start voltage to ensure internal Power-on Reset signal	—	VSS	—	V	Cold RESET
D004	SVDD	VDD rise rate to ensure internal Power-on Reset signal	0.05*	—	—	V/ms	
D005	VBOR	Brown-out Reset Voltage	—	1.9	2	V	
D010	IDD	Supply Current ⁽²⁾	—	1.0	5	mA	FOSC = 4 MHz, VDD = 5.5V ⁽³⁾
D010B					2.0	mA	FOSC = 4 MHz, VDD = 3.5V ⁽³⁾
D021A	IPD	Shutdown Current	—	0.1	1.0	μA	VDD = 5.5V
Input Low Voltage							
	VIL	Input pins					
D030		With TTL Buffer	VSS	—	0.8	V	$4.5\text{V} \leq V_{DD} \leq 5.5\text{V}$
D030A			VSS	—	0.15 VDD	V	Otherwise
D031		With Schmitt Trigger Buffer	VSS	—	0.2 VDD	V	
Input High Voltage							
	VIH	Input pins		—			
D040		With TTL Buffer	2.0	—	VDD	V	$4.5\text{V} \leq V_{DD} \leq 5.5\text{V}$
D040A			(0.25 VDD + 0.8)	—	VDD	V	Otherwise
D041		With Schmitt Trigger Buffer	0.8 VDD	—	VDD	V	
Input Threshold Voltage							
D053	Vtol	Vlow detect tolerance	—	—	±200	mV	setting 5 = 2.25V
			—	—	±350	mV	setting 25 = 4.25V
Input Leakage Current							
D060	IIL	Input pins	—	—	±1	μA	$V_{SS} \leq V_{PIN} \leq V_{DD}$, Pin at Hi-impedance, no pull-downs enabled

TABLE 9-1: DC CHARACTERISTICS: HCS365 (CONTINUED)

DC Characteristics All Pins Except Power Supply Pins			Standard Operating Conditions (unless otherwise stated) Operating Temperature $0^{\circ}\text{C} \leq T_A \leq +70^{\circ}\text{C}$ (Commercial) $-40^{\circ}\text{C} \leq T_A \leq +85^{\circ}\text{C}$ (Industrial)				
Param No.	Sym.	Characteristic	Min.	Typ.†	Max.	Units	Conditions
Output Low Voltage							
D080	VOL	Output pins	—	—	0.6	V	IOL = 8.5 mA, VDD = 4.5V
Output High Voltage							
D090	VOH	Output pins	VDD-0.7	—	—	V	IOH = -3.0 mA, VDD = 4.5V
D091	VOH	$\overline{\text{LED}}$	1.5	—	—	V	IOH = -0.5 mA, VDD = 4.5V
Internal Pull-down Resistance							
D100	Rpd	S0 - S3	40	75	100	KOhms	If enabled
Data EEPROM Memory							
D120	Ed	Endurance	200K	1000K	—	E/W	25°C at 5V
D121	Vdrw	VDD for Read/Write	2.05	—	5.5	V	
D122	Tdew	Erase/Write Cycle Time ⁽¹⁾	—	4	10	ms	

Note 1: * These parameters are characterized but not tested.

- 2: † "Typ" column data is at 5.0V, 25°C unless otherwise stated. These parameters are for design guidance only and are not tested.
- 3: The supply current is mainly a function of the operating voltage and frequency. Other factors such as I/O pin loading and switching rate, oscillator type, internal code execution pattern, and temperature also have an impact on the current consumption.
- 4: Should operate down to VBOR but not tested below 2.0V.

The test conditions for all IDD measurements in active Operation mode are: all I/O pins tristated, pulled to VDD. $\overline{\text{MCLR}} = \text{VDD}$; WDT enabled/disabled as specified. The power-down/shutdown current in SLEEP mode does not depend on the oscillator frequency. Power-down current is measured with the part in SLEEP mode, with all I/O pins in hi-impedance state and tied to VDD or VSS. The Δ current is the additional current consumed when the WDT is enabled. This current should be added to the base IDD or IPD measurement.

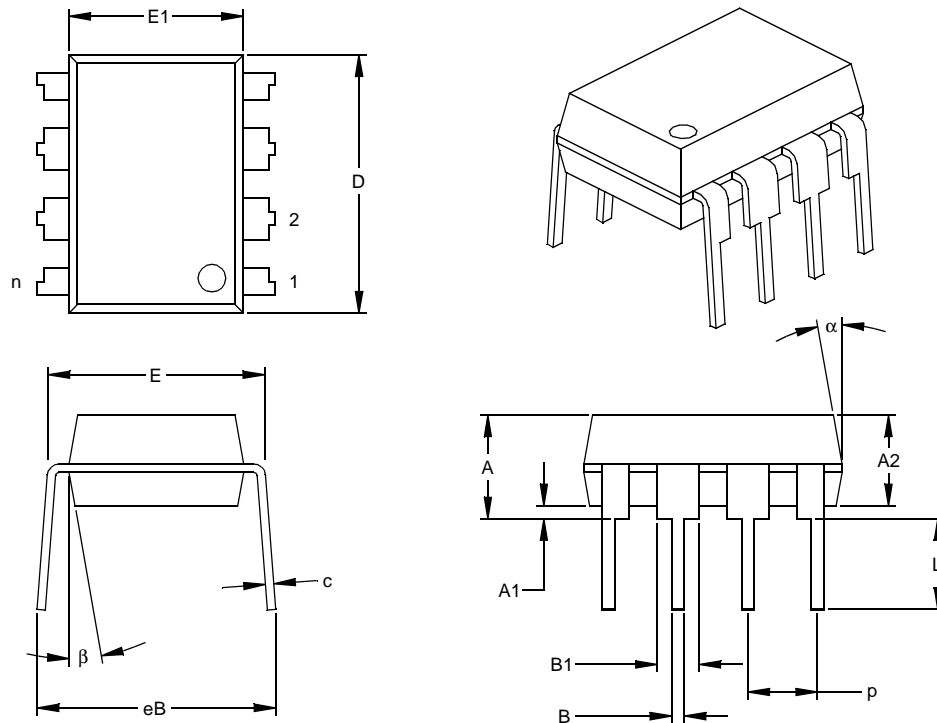
HCS365

TABLE 9-2: AC CHARACTERISTICS⁽¹⁾

Commercial (C): TAMB = 0°C to +70°C Industrial (I): TAMB = -40°C to +85°C						
2.05V < VDD < 5.5						
Parameter	Sym.	Min.	Typ.	Max.	Unit	Conditions
Timing Element	TE	90	—	880	μs	BSEL = 00 ₂ (min) or BSEL = 01 ₂ BSEL = 10 ₂ BSEL = 11 ₂ (max)
Power-up Time	TPU	—	25	—	ms	
PLL Set-up Time	TPLL	10	15	30	ms	WAIT = 0
		—	—	285	ms	WAIT = 1
LED On Time	TLEDON	45	—	110	ms	LEDOS = 0 (min) or LEDOS = 1 (max)
LED Off Time	TLEDOFF	450	500	550	ms	
Guard Time	TG	1.8	2TE	112.6	ms	GSEL = 00 ₂ (min)
		5.6	6.4	7.0	ms	GSEL = 01 ₂
		46.1	51.2	56.3	ms	GSEL = 10 ₂
		96.1	102.4	42.6	ms	GSEL = 11 ₂ (max)
Note 1: All timing values are subject to the oscillator variance and are not tested. These parameters are characterized, but not tested.						

10.0 PACKAGING INFORMATION

Package Type: 8-Lead Plastic Dual In-line (P) – 300 mil (PDIP)



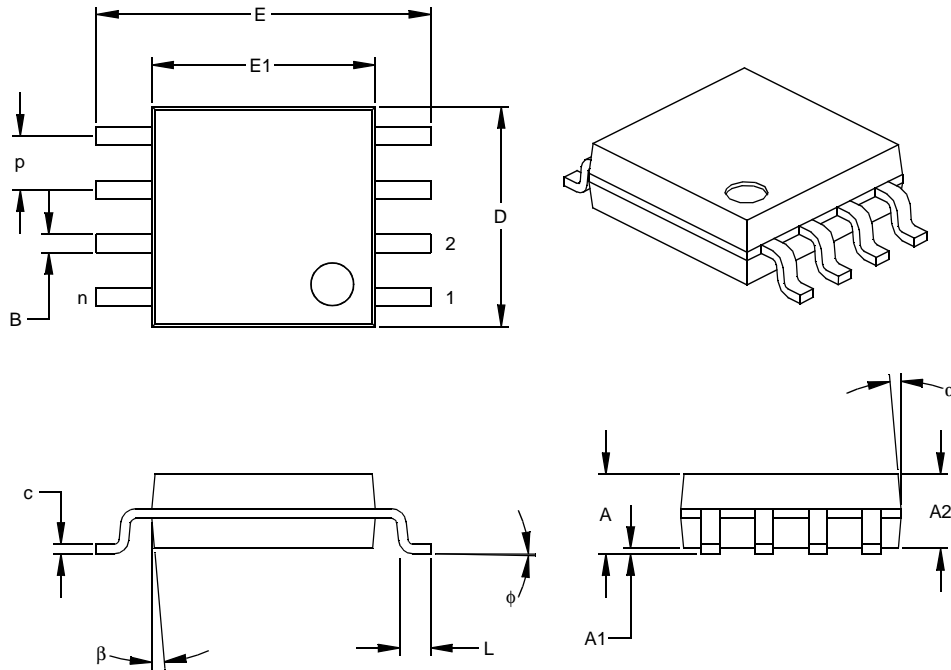
Units		INCHES*			MILLIMETERS		
Dimension Limits		MIN	NOM	MAX	MIN	NOM	MAX
Number of Pins	n		8			8	
Pitch	p		.100			2.54	
Top to Seating Plane	A	.140	.155	.170	3.56	3.94	4.32
Molded Package Thickness	A2	.115	.130	.145	2.92	3.30	3.68
Base to Seating Plane	A1	.015			0.38		
Shoulder to Shoulder Width	E	.300	.313	.325	7.62	7.94	8.26
Molded Package Width	E1	.240	.250	.260	6.10	6.35	6.60
Overall Length	D	.360	.373	.385	9.14	9.46	9.78
Tip to Seating Plane	L	.125	.130	.135	3.18	3.30	3.43
Lead Thickness	c	.008	.012	.015	0.20	0.29	0.38
Upper Lead Width	B1	.045	.058	.070	1.14	1.46	1.78
Lower Lead Width	B	.014	.018	.022	0.36	0.46	0.56
Overall Row Spacing	§ eB	.310	.370	.430	7.87	9.40	10.92
Mold Draft Angle Top	α	5	10	15	5	10	15
Mold Draft Angle Bottom	β	5	10	15	5	10	15

* Controlling Parameter
§ Significant Characteristic

Notes:
Dimensions D and E1 do not include mold flash or protrusions. Mold flash or protrusions shall not exceed .010" (0.254mm) per side.
JEDEC Equivalent: MS-001
Drawing No. C04-018

HCS365

Package Type: 8-Lead Plastic Small Outline (SM) – Medium, 208 mil (SOIC)



Units		INCHES*			MILLIMETERS		
Dimension Limits		MIN	NOM	MAX	MIN	NOM	MAX
Number of Pins	n		8			8	
Pitch	p		.050			1.27	
Overall Height	A	.070	.075	.080	1.78	1.97	2.03
Molded Package Thickness	A2	.069	.074	.078	1.75	1.88	1.98
Standoff	A1	.002	.005	.010	0.05	0.13	0.25
Overall Width	E	.300	.313	.325	7.62	7.95	8.26
Molded Package Width	E1	.201	.208	.212	5.11	5.28	5.38
Overall Length	D	.202	.205	.210	5.13	5.21	5.33
Foot Length	L	.020	.025	.030	0.51	0.64	0.76
Foot Angle	ϕ	0	4	8	0	4	8
Lead Thickness	c	.008	.009	.010	0.20	0.23	0.25
Lead Width	B	.014	.017	.020	0.36	0.43	0.51
Mold Draft Angle Top	α	0	12	15	0	12	15
Mold Draft Angle Bottom	β	0	12	15	0	12	15

*Controlling Parameter

Notes:

Dimensions D and E1 do not include mold flash or protrusions. Mold flash or protrusions shall not exceed .010" (0.254mm) per side.

Drawing No. C04-056

10.1 Package Marking Information

8-Lead PDIP (300 mil)



Example



8-Lead SOIC (208 mil)



Example



Legend: MM...M Microchip part number information
XX...X Customer specific information*
YY Year code (last 2 digits of calendar year)
WW Week code (week of January 1 is week '01')
NNN Alphanumeric traceability code

Note: In the event the full Microchip part number cannot be marked on one line, it will be carried over to the next line thus limiting the number of available characters for customer specific information.

- * Standard marking consists of Microchip part number, year code, week code and traceability code. For marking beyond this, certain price adders apply. Please check with your Microchip Sales Office. For SQTP devices, any special marking adders are included in SQTP price.

ON-LINE SUPPORT

Microchip provides on-line support on the Microchip World Wide Web (WWW) site.

The web site is used by Microchip as a means to make files and information easily available to customers. To view the site, the user must have access to the Internet and a web browser, such as Netscape® or Microsoft® Explorer. Files are also available for FTP download from our FTP site.

Connecting to the Microchip Internet Web Site

The Microchip web site is available by using your favorite Internet browser to attach to:

www.microchip.com

The file transfer site is available by using an FTP service to connect to:

<ftp://ftp.microchip.com>

The web site and file transfer site provide a variety of services. Users may download files for the latest Development Tools, Data Sheets, Application Notes, User's Guides, Articles and Sample Programs. A variety of Microchip specific business information is also available, including listings of Microchip sales offices, distributors and factory representatives. Other data available for consideration is:

- Latest Microchip Press Releases
- Technical Support Section with Frequently Asked Questions
- Design Tips
- Device Errata
- Job Postings
- Microchip Consultant Program Member Listing
- Links to other useful web sites related to Microchip Products
- Conferences for products, Development Systems, technical information and more
- Listing of seminars and events

Systems Information and Upgrade Hot Line

The Systems Information and Upgrade Line provides system users a listing of the latest versions of all of Microchip's development systems software products. Plus, this line provides information on how customers can receive any currently available upgrade kits. The Hot Line Numbers are:

1-800-755-2345 for U.S. and most of Canada, and

1-480-792-7302 for the rest of the world.

READER RESPONSE

It is our intention to provide you with the best documentation possible to ensure successful use of your Microchip product. If you wish to provide your comments on organization, clarity, subject matter, and ways in which our documentation can better serve you, please FAX your comments to the Technical Publications Manager at (480) 792-7578.

Please list the following information, and use this outline to provide us with your comments about this Data Sheet.

To: Technical Publications Manager Total Pages Sent
RE: Reader Response
From: Name _____
Company _____
Address _____
City / State / ZIP / Country _____
Telephone: (_____) _____ - _____ FAX: (_____) _____ - _____

Application (optional):

Would you like a reply? ___Y ___N

Device: **HCS365**

Literature Number: **DS41109D**

Questions:

1. What are the best features of this document?

2. How does this document meet your hardware and software development needs?

3. Do you find the organization of this data sheet easy to follow? If not, why?

4. What additions to the data sheet do you think would enhance the structure and subject?

5. What deletions from the data sheet could be made without affecting the overall usefulness?

6. Is there any incorrect or misleading information (what and where)?

7. How would you improve this document?

8. How would you improve our software, systems, and silicon products?

HCS365

11.0 HCS365 PRODUCT IDENTIFICATION SYSTEM

.To order or obtain information, e.g., on pricing or delivery, refer to the factory or the listed sales office.

<u>PART NO.</u>	<u>X</u>	<u>XX</u>	<u>XXX</u>
Device	Temperature Range	Package	Pattern
Device	HCS365: Code Hopping Encoder HCS365T: Code Hopping Encoder (Tape and Reel - SM only)		
Temperature Range	- = 0xC to +70xC I = -40xC to +85xC		
Package	P = Plastic DIP (300 mil body), 8-lead SM = Plastic SOIC (208 mil body), 8-lead		
Pattern			

* JW Devices are UV erasable and can be programmed to any device configuration. JW Devices meet the electrical requirement of each oscillator type.

Sales and Support

Data Sheets

Products supported by a preliminary Data Sheet may have an errata sheet describing minor operational differences and recommended workarounds. To determine if an errata sheet exists for a particular device, please contact one of the following:

1. Your local Microchip sales office
2. The Microchip Corporate Literature Center U.S. FAX: (480) 792-7277
3. The Microchip Worldwide Site (www.microchip.com)

Please specify which device, revision of silicon and Data Sheet (include Literature #) you are using.

New Customer Notification System

Register on our web site (www.microchip.com/cn) to receive the most current information on our products.

Microchip's Secure Data Products are covered by some or all of the following patents:
Code hopping encoder patents issued in Europe, U.S.A., and R.S.A. — U.S.A.: 5,517,187; Europe: 0459781; R.S.A.: ZA93/4726
Secure learning patents issued in the U.S.A. and R.S.A. — U.S.A.: 5,686,904; R.S.A.: 95/5429

Information contained in this publication regarding device applications and the like is intended through suggestion only and may be superseded by updates. It is your responsibility to ensure that your application meets with your specifications. No representation or warranty is given and no liability is assumed by Microchip Technology Incorporated with respect to the accuracy or use of such information, or infringement of patents or other intellectual property rights arising from such use or otherwise. Use of Microchip's products as critical components in life support systems is not authorized except with express written approval by Microchip. No licenses are conveyed, implicitly or otherwise, under any intellectual property rights.

Trademarks


The Microchip name and logo, the Microchip logo, FilterLab, KEELOQ, microID, MPLAB, PIC, PICmicro, PICMASTER, PICSTART, PRO MATE, SEEVAL and The Embedded Control Solutions Company are registered trademarks of Microchip Technology Incorporated in the U.S.A. and other countries.

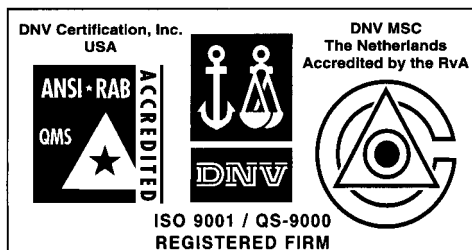
dsPIC, ECONOMONITOR, FanSense, FlexROM, fuzzyLAB, In-Circuit Serial Programming, ICSP, ICEPIC, microPort, Migratable Memory, MPASM, MPLIB, MPLINK, MPSIM, MXDEV, PICC, PICDEM, PICDEM.net, rfPIC, Select Mode and Total Endurance are trademarks of Microchip Technology Incorporated in the U.S.A.

Serialized Quick Turn Programming (SQTP) is a service mark of Microchip Technology Incorporated in the U.S.A.

All other trademarks mentioned herein are property of their respective companies.

© 2002, Microchip Technology Incorporated, Printed in the U.S.A., All Rights Reserved.

 Printed on recycled paper.



Microchip received QS-9000 quality system certification for its worldwide headquarters, design and wafer fabrication facilities in Chandler and Tempe, Arizona in July 1999. The Company's quality system processes and procedures are QS-9000 compliant for its PICmicro® 8-bit MCUs, KEELOQ® code hopping devices, Serial EEPROMs and microperipheral products. In addition, Microchip's quality system for the design and manufacture of development systems is ISO 9001 certified.



WORLDWIDE SALES AND SERVICE

AMERICAS

Corporate Office

2355 West Chandler Blvd.
Chandler, AZ 85224-6199
Tel: 480-792-7200 Fax: 480-792-7277
Technical Support: 480-792-7627
Web Address: <http://www.microchip.com>

Rocky Mountain

2355 West Chandler Blvd.
Chandler, AZ 85224-6199
Tel: 480-692-7966 Fax: 480-792-7456

Atlanta

500 Sugar Mill Road, Suite 200B
Atlanta, GA 30350
Tel: 770-640-0034 Fax: 770-640-0307

Boston

2 Lan Drive, Suite 120
Westford, MA 01886
Tel: 978-692-3848 Fax: 978-692-3821

Chicago

333 Pierce Road, Suite 180
Itasca, IL 60143
Tel: 630-285-0071 Fax: 630-285-0075

Dallas

4570 Westgrove Drive, Suite 160
Addison, TX 75001
Tel: 972-818-7423 Fax: 972-818-2924

Detroit

Tri-Atria Office Building
32255 Northwestern Highway, Suite 190
Farmington Hills, MI 48334
Tel: 248-538-2250 Fax: 248-538-2260

Kokomo

2767 S. Albright Road
Kokomo, Indiana 46902
Tel: 765-864-8360 Fax: 765-864-8387

Los Angeles

18201 Von Karman, Suite 1090
Irvine, CA 92612
Tel: 949-263-1888 Fax: 949-263-1338

New York

150 Motor Parkway, Suite 202
Hauppauge, NY 11788
Tel: 631-273-5305 Fax: 631-273-5335

San Jose

Microchip Technology Inc.
2107 North First Street, Suite 590
San Jose, CA 95131
Tel: 408-436-7950 Fax: 408-436-7955

Toronto

6285 Northam Drive, Suite 108
Mississauga, Ontario L4V 1X5, Canada
Tel: 905-673-0699 Fax: 905-673-6509

ASIA/PACIFIC

Australia

Microchip Technology Australia Pty Ltd
Suite 22, 41 Rawson Street
Epping 2121, NSW
Australia
Tel: 61-2-9868-6733 Fax: 61-2-9868-6755

China - Beijing

Microchip Technology Consulting (Shanghai)
Co., Ltd., Beijing Liaison Office
Unit 915
Bei Hai Wan Tai Bldg.
No. 6 Chaoyangmen Beidajie
Beijing, 100027, No. China
Tel: 86-10-85282100 Fax: 86-10-85282104

China - Chengdu

Microchip Technology Consulting (Shanghai)
Co., Ltd., Chengdu Liaison Office
Rm. 2401, 24th Floor,
Ming Xing Financial Tower
No. 88 TIDU Street
Chengdu 610016, China
Tel: 86-28-6766200 Fax: 86-28-6766599

China - Fuzhou

Microchip Technology Consulting (Shanghai)
Co., Ltd., Fuzhou Liaison Office
Unit 28F, World Trade Plaza
No. 71 Wusi Road
Fuzhou 350001, China
Tel: 86-591-7503506 Fax: 86-591-7503521

China - Shanghai

Microchip Technology Consulting (Shanghai)
Co., Ltd.
Room 701, Bldg. B
Far East International Plaza
No. 317 Xian Xia Road
Shanghai, 200051
Tel: 86-21-6275-5700 Fax: 86-21-6275-5060

China - Shenzhen

Microchip Technology Consulting (Shanghai)
Co., Ltd., Shenzhen Liaison Office
Rm. 1315, 13/F, Shenzhen Kerry Centre,
Renminnan Lu
Shenzhen 518001, China
Tel: 86-755-2350361 Fax: 86-755-2366086

Hong Kong

Microchip Technology Hongkong Ltd.
Unit 901-6, Tower 2, Metroplaza
223 Hing Fong Road
Kwai Fong, N.T., Hong Kong
Tel: 852-2401-1200 Fax: 852-2401-3431

India

Microchip Technology Inc.
India Liaison Office
Divyasree Chambers
1 Floor, Wing A (A3/A4)
No. 11, O'Shaugnessey Road
Bangalore, 560 025, India
Tel: 91-80-2290061 Fax: 91-80-2290062

Japan

Microchip Technology Japan K.K.
Benex S-1 6F
3-18-20, Shinyokohama
Kohoku-Ku, Yokohama-shi
Kanagawa, 222-0033, Japan
Tel: 81-45-471-6166 Fax: 81-45-471-6122

Korea

Microchip Technology Korea
168-1, Youngbo Bldg. 3 Floor
Samsung-Dong, Kangnam-Ku
Seoul, Korea 135-882
Tel: 82-2-554-7200 Fax: 82-2-558-5934

Singapore

Microchip Technology Singapore Pte Ltd.
200 Middle Road
#07-02 Prime Centre
Singapore, 188980
Tel: 65-6334-8870 Fax: 65-6334-8850

Taiwan

Microchip Technology Taiwan
11F-3, No. 207
Tung Hua North Road
Taipei, 105, Taiwan
Tel: 886-2-2717-7175 Fax: 886-2-2545-0139

EUROPE

Denmark

Microchip Technology Nordic ApS
Regus Business Centre
Lautrup høj 1-3
Ballerup DK-2750 Denmark
Tel: 45 4420 9895 Fax: 45 4420 9910

France

Microchip Technology SARL
Parc d'Activite du Moulin de Massy
43 Rue du Saule Trapu
Batiment A - 1er Etage
91300 Massy, France
Tel: 33-1-69-53-63-20 Fax: 33-1-69-30-90-79

Germany

Microchip Technology GmbH
Gustav-Heinemann Ring 125
D-81739 Munich, Germany
Tel: 49-89-627-144 0 Fax: 49-89-627-144-44

Italy

Microchip Technology SRL
Centro Direzionale Colleoni
Palazzo Taurus 1 V. Le Colleoni 1
20041 Agrate Brianza
Milan, Italy
Tel: 39-039-65791-1 Fax: 39-039-6899883

United Kingdom

Arizona Microchip Technology Ltd.
505 Eskdale Road
Winnersh Triangle
Wokingham
Berkshire, England RG41 5TU
Tel: 44 118 921 5869 Fax: 44-118 921-5820

03/01/02