

HD74HC1G66

Analog Switch

REJ03D0188-0800Z
(Previous ADE-205-314F (Z))
Rev.8.00
Jan.27.2004

Description

The HD74HC1G66 is high-speed CMOS analog switch using silicon gate CMOS process. With CMOS low power dissipation, it provides high speed. The device has low ON resistance for good transfer characteristics and can take wide range of input voltage.

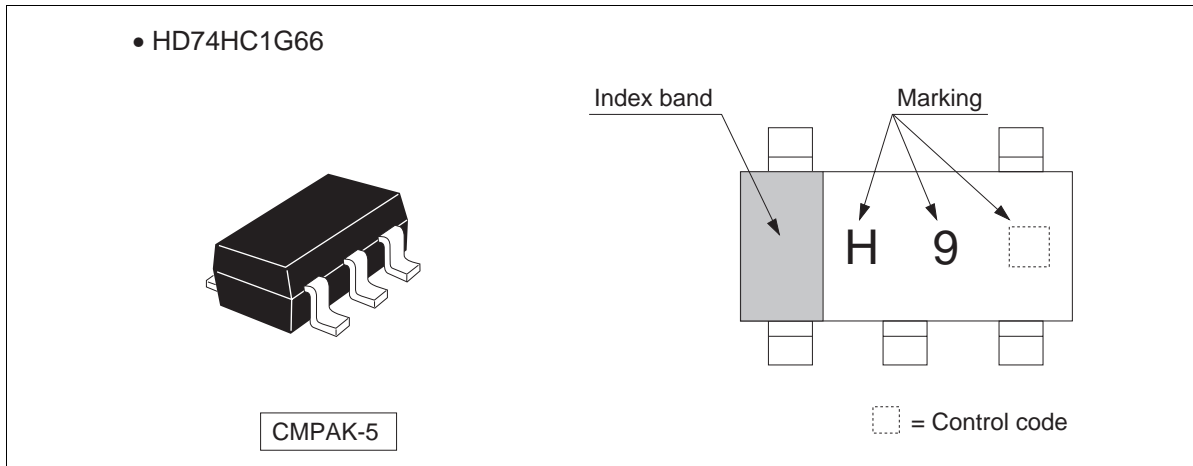
Features

- The basic gate function is lined up as Renesas uni logic series.
- Supplied on emboss taping for high-speed automatic mounting.
- Electrical characteristics equivalent to the HD74HC4066
Supply voltage range : 2 to 6 V
Operating temperature range : -40 to +85°C
- Ordering Information

Part Name	Package Type	Package Code	Package Abbreviation	Taping Abbreviation (Quantity)
HD74HC1G66CME	CMPAK-5 pin	CMPAK-5A	CM	E (3,000 pcs/reel)

HD74HC1G66

Outline and Article Indication



Function Table

Control	Switch
L	OFF
H	ON

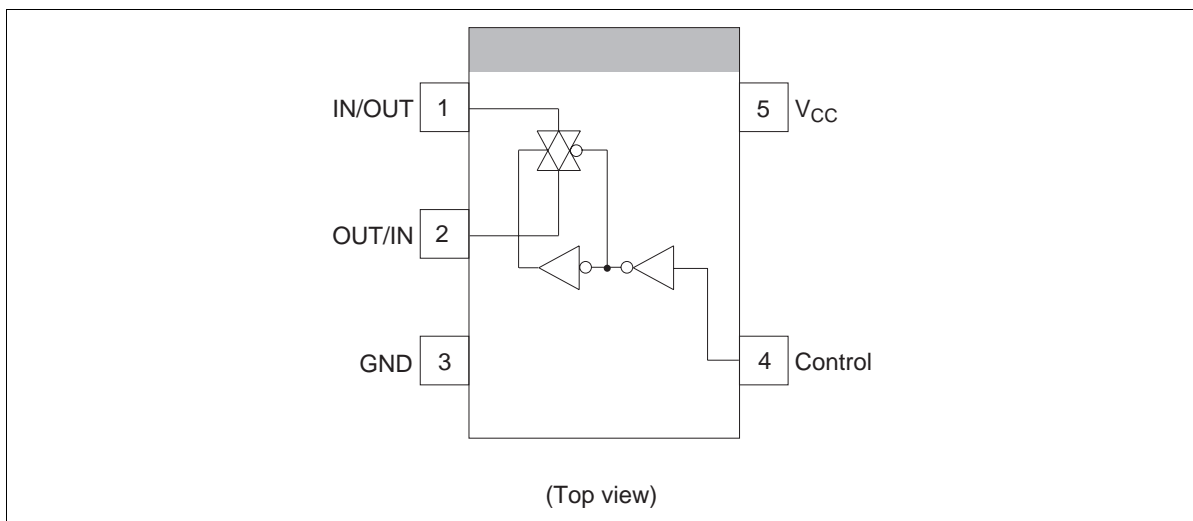
H : High level

L : Low level

$GND \leq V_{IN} \leq V_{CC}$

$GND \leq V_{OUT} \leq V_{CC}$

Pin Arrangement



Absolute Maximum Ratings

Item	Symbol	Ratings	Unit	Test Conditions
Supply voltage range	V_{CC}	-0.5 to 7.0	V	
Input voltage range * ¹	V_I	-0.5 to $V_{CC} + 0.5$	V	
Output voltage range * ^{1,2}	V_O	-0.5 to $V_{CC} + 0.5$	V	Output : H or L
Input clamp current	I_{IK}	±20	mA	$V_I < 0$ or $V_I > V_{CC}$
Output clamp current	I_{OK}	±20	mA	$V_O < 0$ or $V_O > V_{CC}$
Continuous output current	I_O	±25	mA	$V_O = 0$ to V_{CC}
Continuous current through V_{CC} or GND	I_{CC} or I_{GND}	±25	mA	
Maximum power dissipation at $T_a = 25^\circ\text{C}$ (in still air) * ³	P_T	200	mW	
Storage temperature	T_{stg}	-65 to 150	°C	

Notes: The absolute maximum ratings are values, which must not individually be exceeded, and furthermore, no two of which may be realized at the same time.

1. The input and output voltage ratings may be exceeded if the input and output clamp-current ratings are observed.
2. This value is limited to 5.5 V maximum.
3. The maximum package power dissipation was calculated using a junction temperature of 150°C.

Recommended Operating Conditions

Item	Symbol	Min	Max	Unit	Test Conditions
Supply voltage range	V_{CC}	2	6	V	
Input voltage range	$V_{I/O}$	0	V_{CC}	V	
Output voltage range	V_O	0	V_{CC}	V	
Input rise / fall time (Control input 10% to 90%)	t_r, t_f	0	1000	ns	$V_{CC} = 2.0\text{ V}$
		0	500		$V_{CC} = 4.5\text{ V}$
		0	400		$V_{CC} = 6.0\text{ V}$
Operating temperature	T_a	-40	85	°C	

Note: Unused or floating control inputs must be held high or low.

Electrical Characteristics

Item	Symbo	V _{CC} (V)	Ta = 25°C			Ta = -40 to 85°C		Unit	Test Conditions	
			Min	Typ	Max	Min	Max			
Input voltage	V _{IH}	2.0	1.5	—	—	1.5	—	V	Control input only	
		4.5	3.15	—	—	3.15	—			
		6.0	4.2	—	—	4.2	—			
	V _{IL}	2.0	—	—	0.5	—	0.5			
		4.5	—	—	1.35	—	1.35			
		6.0	—	—	1.8	—	1.8			
On resistance	R _{ON}	2.0	—	200	450	—	550	Ω	V _C = V _{IH} V _{IN} = V _{CC} or GND I _T = 1 mA	
		4.5	—	90	160	—	180			
		6.0	—	80	130	—	140			
Peak on resistance	R _{ON} (p)	2.0	—	600	1500	—	2000	Ω	V _C = V _{IH} V _{IN} = 0 to V _{CC} I _{IN/OUT} = 1 mA	
		4.5	—	125	200	—	250			
		6.0	—	100	170	—	210			
Leak current	I _S (off)	6.0	—	—	±0.1	—	±1.0	μA	V _C = V _{IL} V _{IN} = V _{CC} , V _{OUT} = GND or V _{IN} = GND, V _{OUT} = V _{CC}	
	I _S (on)	6.0	—	—	±0.1	—	±1.0	μA	V _C = V _{IH} V _{IN} = V _{CC} or GND	
Input current	I _{IN}	6.0	—	—	±0.1	—	±1.0	μA	V _{IN} = V _{CC} or GND	
Operating current	I _{CC}	6.0	—	—	1.0	—	10.0	μA	V _{IN} = V _{CC} or GND	

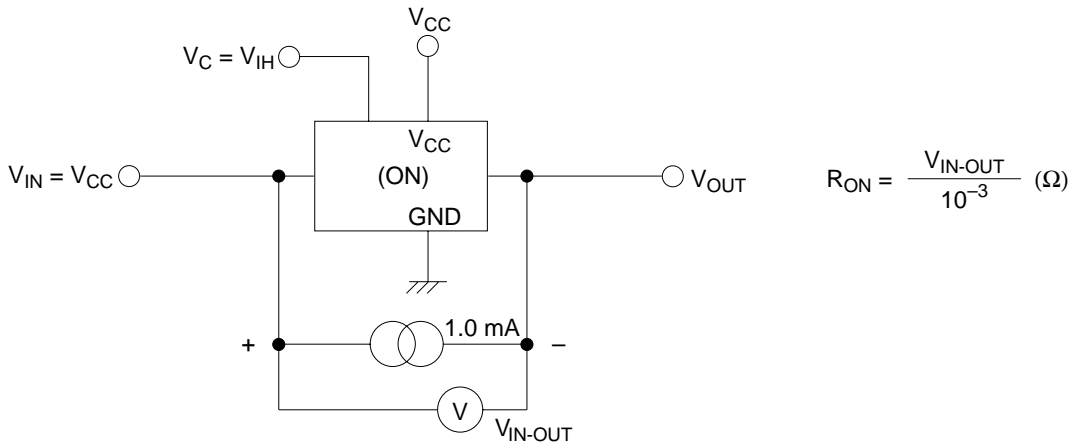
Switching Characteristics

Item	Symbol	V _{CC} (V)	Ta = 25°C			Ta = -40 to 85°C		Unit	Test Conditions
			Min	Typ	Max	Min	Max		
Propagation delay time	t _{PLH} , t _{PHL}	2.0	—	—	50	—	65	ns	R _L = 10 kΩ
		4.5	—	4	10	—	13		
		6.0	—	—	9	—	11		
Output enable time	t _{ZH} , t _{ZL}	2.0	—	—	115	—	145	ns	R _L = 1 kΩ
		4.5	—	10	23	—	29		
		6.0	—	—	20	—	25		
Output disable time	t _{HZ} , t _{LZ}	2.0	—	—	115	—	145	ns	R _L = 1 kΩ
		4.5	—	14	23	—	29		
		6.0	—	—	20	—	25		
Maximum control frequency		2.0	—	20	—	—	—	MHz	
		4.5	—	30	—	—	—		
		6.0	—	30	—	—	—		
Control input capacitance	C _{IN}		—	2.5	5	—	5	pF	
Switch I/O capacitance	C _{IN/OUT}		—	2.5	—	—	—	pF	
Feed through capacitance	C _{IN-OUT}		—	0.5	—	—	—	pF	
Power dissipation capacitance	C _{PD}		—	5	—	—	—	pF	

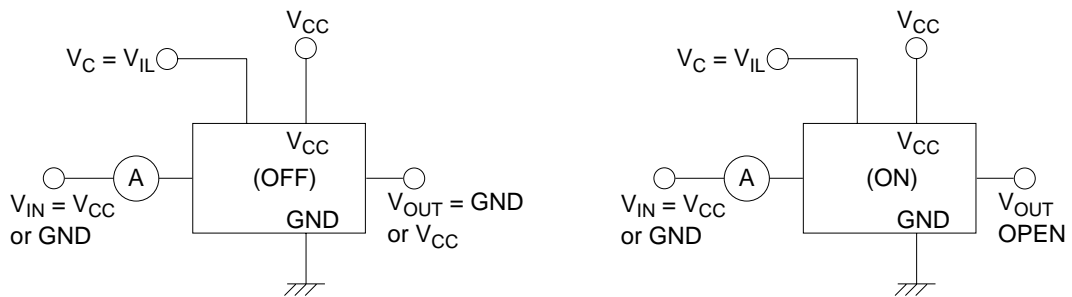
(C_L = 50 pF, t_r = t_f = 6 ns)

Test Circuit

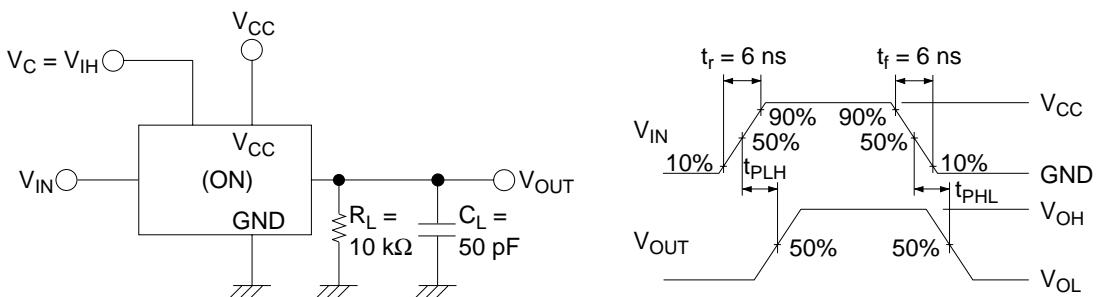
• R_{ON}



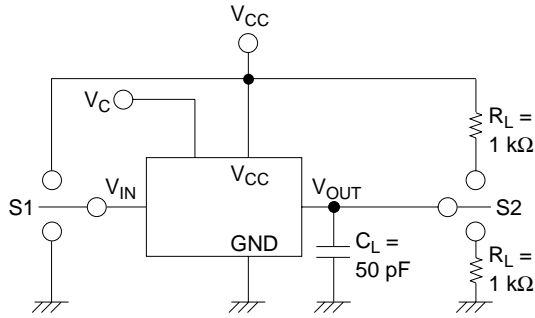
• I_S (off), I_S (on)



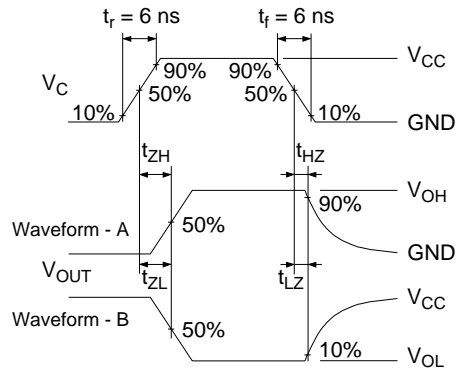
• t_{PLH} , t_{PHL}



• t_{ZH} , t_{ZL} / t_{HZ} , t_{LZ}

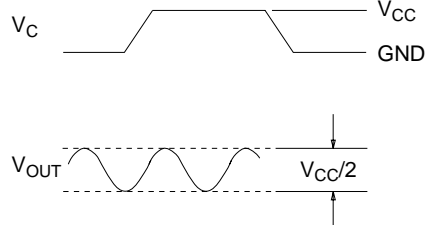
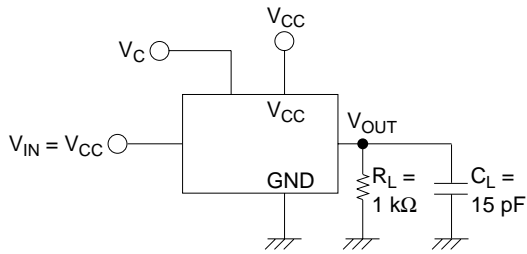


Item	S1	S2
t_{ZH}	V_{CC}	GND
t_{ZL}	GND	V_{CC}
t_{HZ}	V_{CC}	GND
t_{LZ}	GND	V_{CC}

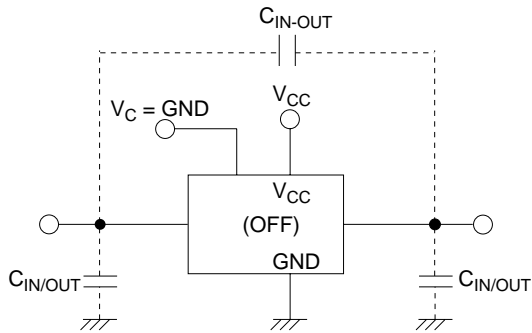


- Notes: 1. Waveform - A is for an output with internal conditions such that the output is high except when disabled by the output control.
 2. Waveform - B is for an output with internal conditions such that the output is low except when disabled by the output control.

• Maximum control frequency

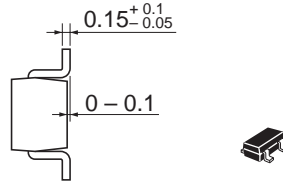
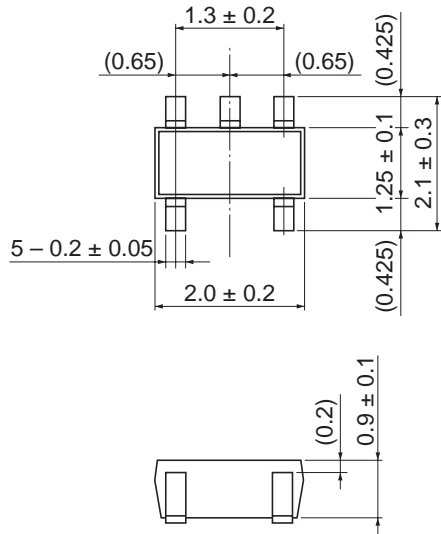


• $C_{IN/OUT}$, C_{IN-OUT}



Package Dimensions

Unit: mm



Package Code	CMPAK-5V
JEDEC	—
JEITA	Conforms
Mass (reference value)	0.006 g

Renesas Technology Corp. Sales Strategic Planning Div. Nippon Bldg., 2-6-2, Ohte-machi, Chiyoda-ku, Tokyo 100-0004, Japan

Keep safety first in your circuit designs!

1. Renesas Technology Corp. puts the maximum effort into making semiconductor products better and more reliable, but there is always the possibility that trouble may occur with them. Trouble with semiconductors may lead to personal injury, fire or property damage. Remember to give due consideration to safety when making your circuit designs, with appropriate measures such as (i) placement of substitutive, auxiliary circuits, (ii) use of nonflammable material or (iii) prevention against any malfunction or mishap.

Notes regarding these materials

1. These materials are intended as a reference to assist our customers in the selection of the Renesas Technology Corp. product best suited to the customer's application; they do not convey any license under any intellectual property rights, or any other rights, belonging to Renesas Technology Corp. or a third party.
 2. Renesas Technology Corp. assumes no responsibility for any damage, or infringement of any third-party's rights, originating in the use of any product data, diagrams, charts, programs, algorithms, or circuit application examples contained in these materials.
 3. All information contained in these materials, including product data, diagrams, charts, programs and algorithms represents information on products at the time of publication of these materials, and are subject to change by Renesas Technology Corp. without notice due to product improvements or other reasons. It is therefore recommended that customers contact Renesas Technology Corp. or an authorized Renesas Technology Corp. product distributor for the latest product information before purchasing a product listed herein.
The information described here may contain technical inaccuracies or typographical errors.
Renesas Technology Corp. assumes no responsibility for any damage, liability, or other loss rising from these inaccuracies or errors.
Please also pay attention to information published by Renesas Technology Corp. by various means, including the Renesas Technology Corp. Semiconductor home page (<http://www.renesas.com>).
 4. When using any or all of the information contained in these materials, including product data, diagrams, charts, programs, and algorithms, please be sure to evaluate all information as a total system before making a final decision on the applicability of the information and products. Renesas Technology Corp. assumes no responsibility for any damage, liability or other loss resulting from the information contained herein.
 5. Renesas Technology Corp. semiconductors are not designed or manufactured for use in a device or system that is used under circumstances in which human life is potentially at stake. Please contact Renesas Technology Corp. or an authorized Renesas Technology Corp. product distributor when considering the use of a product contained herein for any specific purposes, such as apparatus or systems for transportation, vehicular, medical, aerospace, nuclear, or undersea repeater use.
 6. The prior written approval of Renesas Technology Corp. is necessary to reprint or reproduce in whole or in part these materials.
 7. If these products or technologies are subject to the Japanese export control restrictions, they must be exported under a license from the Japanese government and cannot be imported into a country other than the approved destination.
Any diversion or reexport contrary to the export control laws and regulations of Japan and/or the country of destination is prohibited.
 8. Please contact Renesas Technology Corp. for further details on these materials or the products contained therein.
-



RENESAS SALES OFFICES

<http://www.renesas.com>

Renesas Technology America, Inc.

450 Holger Way, San Jose, CA 95134-1368, U.S.A
Tel: <1> (408) 382-7500 Fax: <1> (408) 382-7501

Renesas Technology Europe Limited.

Dukes Meadow, Millboard Road, Bourne End, Buckinghamshire, SL8 5FH, United Kingdom
Tel: <44> (1628) 585 100, Fax: <44> (1628) 585 900

Renesas Technology Europe GmbH

Dornacher Str. 3, D-85622 Feldkirchen, Germany
Tel: <49> (89) 380 70 0, Fax: <49> (89) 929 30 11

Renesas Technology Hong Kong Ltd.

7/F., North Tower, World Finance Centre, Harbour City, Canton Road, Hong Kong
Tel: <852> 2265-6688, Fax: <852> 2375-6836

Renesas Technology Taiwan Co., Ltd.

FL 10, #99, Fu-Hsing N. Rd., Taipei, Taiwan
Tel: <886> (2) 2715-2888, Fax: <886> (2) 2713-2999

Renesas Technology (Shanghai) Co., Ltd.

26/F., Ruijin Building, No.205 Maoming Road (S), Shanghai 200020, China
Tel: <86> (21) 6472-1001, Fax: <86> (21) 6415-2952

Renesas Technology Singapore Pte. Ltd.

1, Harbour Front Avenue, #06-10, Keppel Bay Tower, Singapore 098632
Tel: <65> 6213-0200, Fax: <65> 6278-8001

