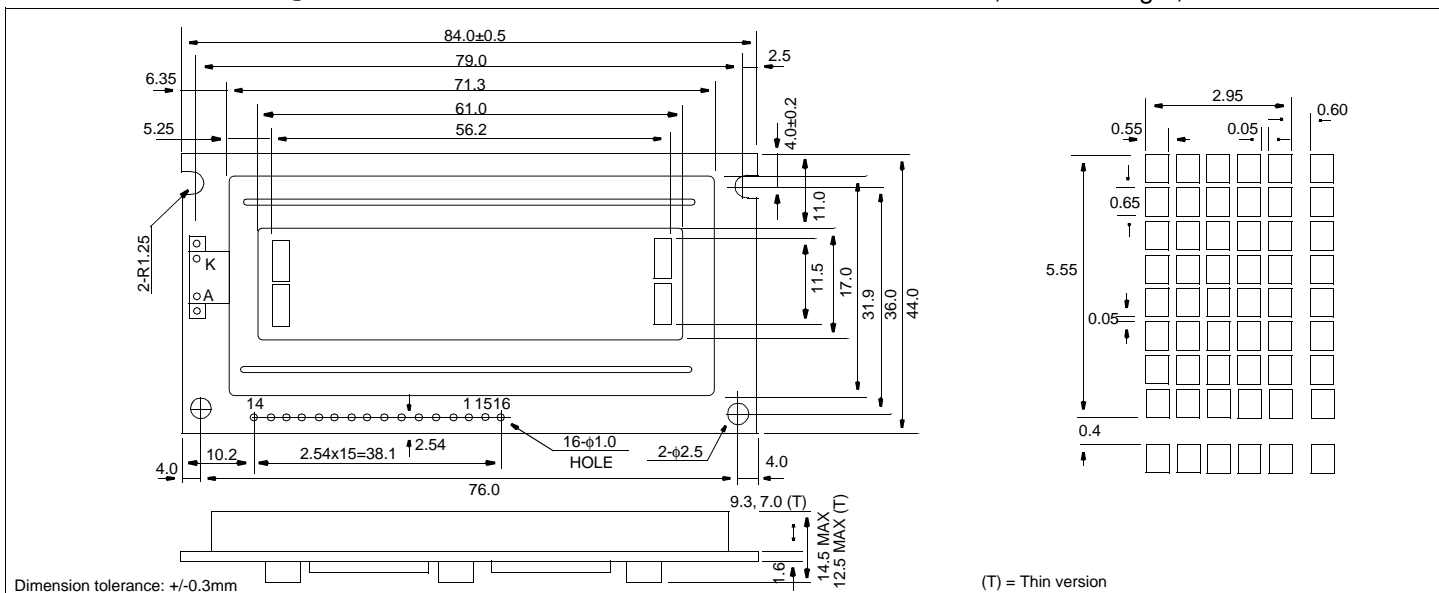


HDM16216L-B

Dimensional Drawing

16 Character x 2 Lines, LED Backlight, Connector on Bottom



Features

Character Format 5x7 Dots with Cursor
 Backlight.....LED
 Options.TN/Gray STN/Yellow STN, 12 o'Clock/6 o'Clock View
 Normal/Extended Temperature
 Normal/Negative Displays

Physical Data

Module Size.....84.0W x 44.0H x 14.5T mm
 Thin Version.....84.0W x 44.0H x 12.5T mm
 Viewing Area Size.....61.0W x 17.0H mm
 Weight.....35g

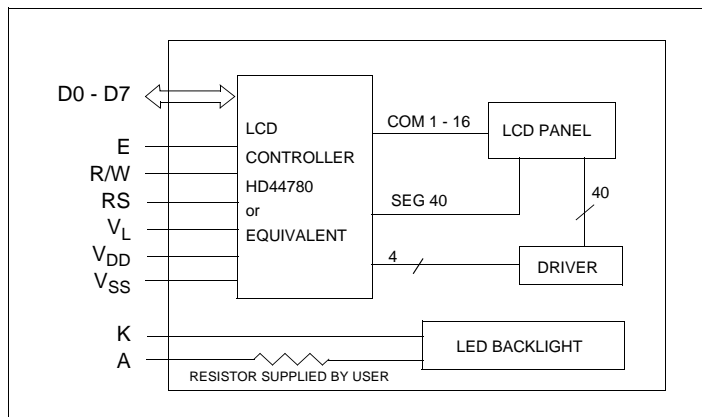
Absolute Maximum Ratings

PARAMETER	SYMBOL	MIN	MAX	UNIT
SUPPLY VOLTAGE	$V_{DD}-V_{SS}$	0	7.0	V
SUPPLY VOLTAGE FOR LCD	$V_{DD}-V_L$	0	13.5	V
INPUT VOLTAGE	V_{IN}	V_{SS}	V_{DD}	V
OPERATING TEMPERATURE	T_{OP}	0	50	$^{\circ}\text{C}$
STORAGE TEMPERATURE	T_{STG}	-20	70	$^{\circ}\text{C}$
LED FORWARD CURRENT	I_F		120	mA
LED REVERSE VOLTAGE	V_R		8	V
LED POWER CONSUMPTION	P_D		540	mW

Electrical Characteristics (VDD=5.0±0.25V 25°C)

PARAMETER	SYM	CONDITION	MIN	TYP	MAX	UNIT
INPUT HIGH VOLTAGE	V_{IH}	-	2.2	-	-	V
INPUT LOW VOLTAGE	V_{IL}	-	-	-	0.6	V
OUTPUT HIGH VOLTAGE	V_{OH}	$I_{OH}=10.2\text{mA}$	2.4	-	-	V
OUTPUT LOW VOLTAGE	V_{OL}	$I_{OL}=1.2\text{mA}$	-	-	0.4	V
POWER SUPPLY CURRENT	I_{DD}	$V_{DD}=5.0\text{V}$	-	1.0	2.2	mA
POWER SUPPLY FOR LCD	$V_{DD}-V_L$	$T_A=25^{\circ}\text{C}$	4.3	-	4.7	V
LED FORWARD VOLTAGE	V_F	$I_F=75\text{mA}$	3.9	4.1	4.5	V
BRIGHTNESS	L	$I_F=75\text{mA}$	30	50	-	NIT
DRIVE METHOD	1/16 DUTY					

Block Diagram



Pin Connections

PIN NO.	SYMBOL	LEVEL	FUNCTION
1	V_{SS}	-	Power supply
2	V_{DD}	-	
3	V_L	-	
4	RS	H/L	H: Data input L: Instruction data input
5	R/W	H/L	H: Data read L: Data write
6	E	H,H \bar{E} L	Enable signal
7	D0	H/L	Data bus
8	D1	H/L	
9	D2	H/L	
10	D3	H/L	
11	D4	H/L	
12	D5	H/L	
13	D6	H/L	
14	D7	H/L	
15	A	-	Anode for LED backlight
16	K	-	Cathode for LED backlight