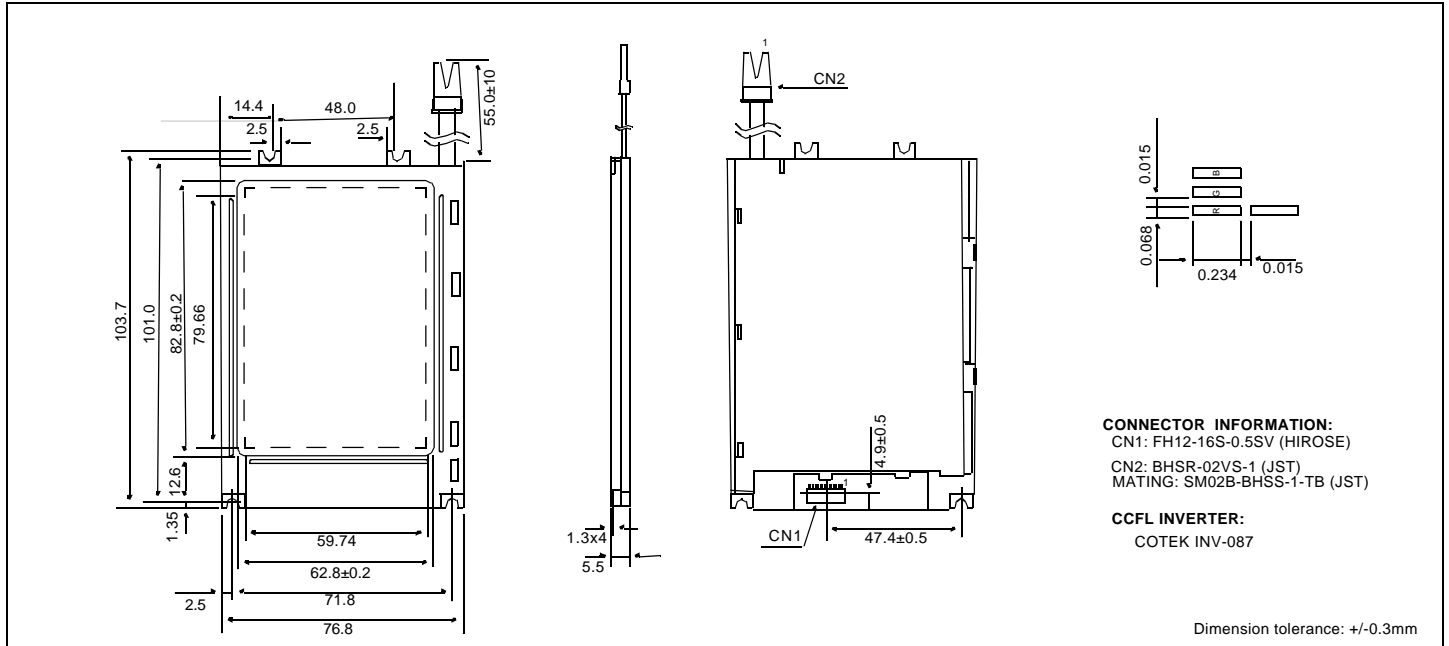


HDM 3224C-S-LP

Dimensional Drawing

3.9" 320 X 240 Color Graphic, Super Low Power, Thin w/CCFL Backlight



CONNECTOR INFORMATION:
 CN1: FH12-16S-0.5SV (HIROSE)
 CN2: BHSR-02VS-1 (JST)
 MATING: SM02B-BHSS-1-TB (JST)

CCFL INVERTER:
 COTEK INV-087

Features

Backlight..... CCFL
 Options.....Color RGB
 Extended Temperature
 Touch Screen
 Built-in Controller.....None

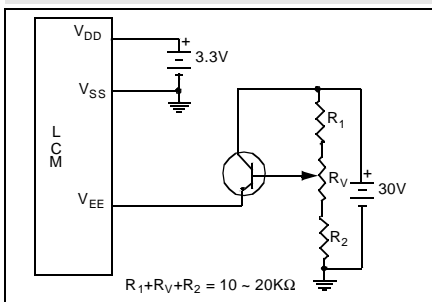
Physical Data

Module Size.....76.8W x 103.7H x 5.5T mm
 Viewing Area Size.....62.8W x 82.8H mm
 Dot Pitch.....0.249W x 0.083H mm
 Dot Size.....0.234W x 0.068H mm
 Weight......65g

Absolute Maximum Ratings

PARAMETER	SYMBOL	MIN	MAX	UNIT
SUPPLY VOLTAGE	$V_{DD}-V_{SS}$	-0.3	7.0	V
SUPPLY VOLTAGE FOR LCD	V_{EE}	0	30.0	V
INPUT VOLTAGE	V_{IN}	-0.3	$V_{DD}+0.3$	V
OPERATING TEMPERATURE	T_{OP}	-10	50	°C
STORAGE TEMPERATURE	T_{STG}	-20	70	°C

Power Supply



Electrical Characteristics ($V_{DD}=3.3\pm 0.25V$ 25°C)

PARAMETER	SYM	CONDITION	MIN	TYP	MAX	UNIT
INPUT HIGH VOLTAGE	V_{IH}	-	0.8 V_{DD}	-	V_{DD}	V
INPUT LOW VOLTAGE	V_{IL}	-	0	-	0.2 V_{DD}	V
SUPPLY VOLTAGE	V_{DD}	-	3.0	3.3	3.6	V
	V_L	$V_{DD} = 3.3V$	23.3	23.6	23.9	V
DRIVE METHOD	1/240 DUTY					

Pin Connections

PIN NO.	SYMBOL	LEVEL	FUNCTION
DATA CONNECTOR			
1	D7	H/L	Data Bus
2	D6	H/L	
3	D5	H/L	
4	D4	H/L	
5	D3	H/L	
6	D2	H/L	
7	D1	H/L	
8	D0	H/L	
9	V_{SS}	0V	Ground
10	V_{DD}	3.3V	Power supply for logic
11	DISPOFF	H/L	H=On, L=Off
12	CP	H/L	Data shift
13	LOAD	H/L	Data Latch
14	FRAME	H	First Line Marker
15	V_{SS}	0V	Ground
16	V_{EE}	-	Operating voltage for LC
CCFL CONNECTOR			
1	V_{CFL}	-	Power supply for CCFL
2	GND	-	Ground