

**2.4GHz - 2.5GHz Low Noise Amplifier**



The Intersil 2.4GHz PRISM™ chip set is a highly integrated five-chip solution for RF modems employing Direct Sequence Spread Spectrum (DSSS) signaling. The HFA3424 2.4GHz -

2.5GHz low noise amplifier is an optional chip that can be added to the five chips in the PRISM™ chip set. The HFA3424 offers increased sensitivity for systems targeting 802.11 specifications. (See Figure 1, the Typical Application Diagram.)

The Intersil HFA3424 PRISM™ is a high performance low noise amplifier in a low cost SOIC 8 lead surface mount plastic package. The HFA3424 employs a fully monolithic design which eliminates the need for external tuning networks. It can be biased using 3V or 5V supplies and has an option for biasing at higher currents for increased dynamic range.

The HFA3424 is ideally suited for use where low noise figure, high gain, high dynamic range and low power consumption required. Typical applications include receiver front ends in the Wireless Local Area Network (WLAN) and wireless data collection markets in the 2.4GHz Industrial, Scientific and Medical (ISM) band, as well as standard gain blocks, buffer amps, driver amps and IF amps in both fixed and portable systems.

**Features**

- Low Noise Figure . . . . . 1.90dB
- High Gain . . . . . 14dB
- Low Power Consumption . . . . . 3V to 5V, 5mA
- High Dynamic Range
- DC Decoupled RF Input and Output
- No External RF Tuning Elements Necessary
- Low Cost SOIC 8 Lead Plastic Package

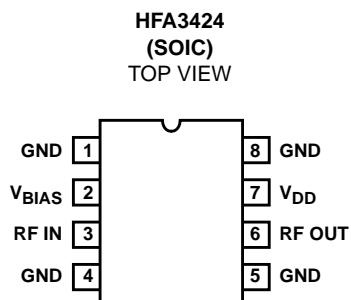
**Applications**

- Systems Targeting IEEE 802.11 Standard
- TDD Quadrature-Modulated Communication Systems
- Wireless Local Area Networks
- PCMCIA Wireless Transceivers
- ISM Systems
- TDMA Packet Protocol Radios
- PCS/Wireless PBX
- Wireless Local Loop

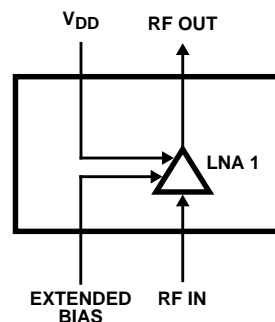
**Ordering Information**

PART NUMBER	TEMP. RANGE (°C)	PACKAGE	PKG. NO.
HFA3424IB	-40 to 85	8 Ld SOIC	M8.15
HFA3424IB96	-40 to 85	Tape and Reel	

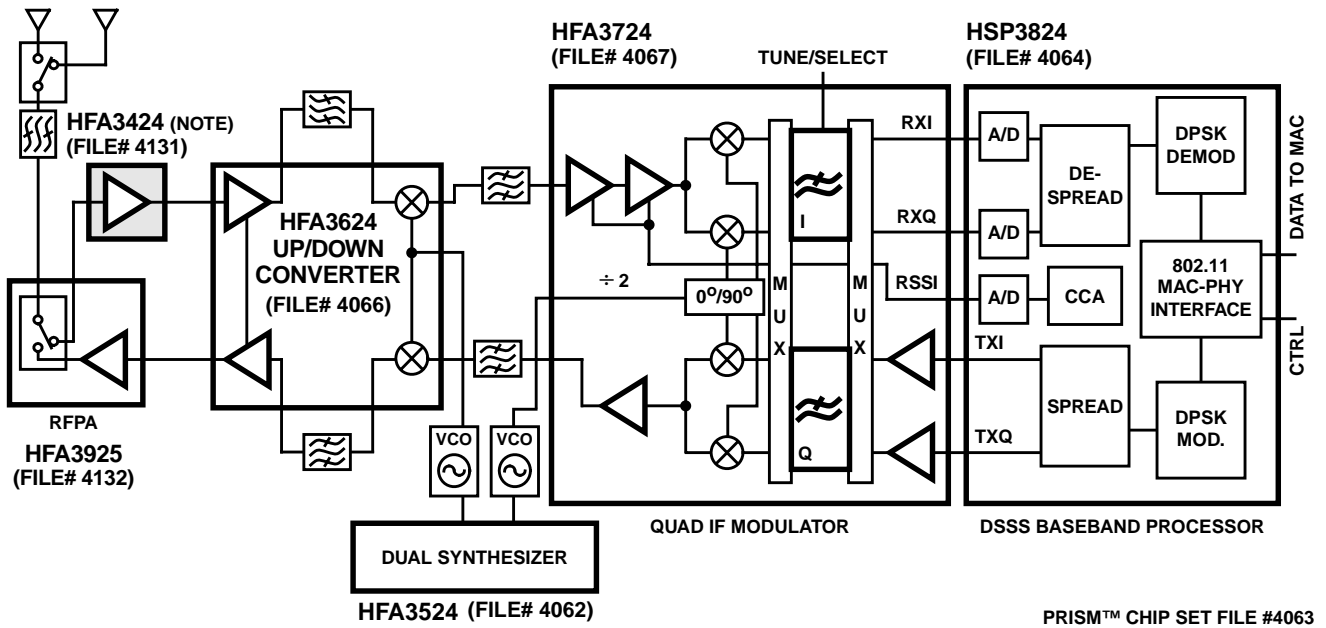
**Pinout**



**Functional Block Diagram**



**Typical Application Diagram**



**FIGURE 1. TYPICAL TRANSCEIVER AMPLIFIER APPLICATIONS CIRCUIT USING THE HFA3424**

NOTE: Required for systems targeting 802.11 specifications.

For additional information on the PRISM™ chip set, call (407) 724-7800 to access Intersil' AnswerFAX system. When prompted, key in the four-digit document number (File #) of the datasheets you wish to receive.

The four-digit file numbers are shown in Typical Application Diagram, and correspond to the appropriate circuit.

## Absolute Maximum Ratings

Supply Voltage,  $V_{DD}$  ..... +10V<sub>DC</sub>  
 Input Power ..... +17dBm  
 Supply Current (Note 1) ..... 30mA

## Thermal Information

Thermal Resistance (Typical, Note 2)  $\theta_{JA}$  (°C/W)  
 SOIC Package ..... 165  
 Maximum Storage Temperature Range ..... -65°C to 150°C  
 Maximum Lead Temperature (Soldering 10s) ..... 300°C  
 (SOIC - Lead Tips Only)

## Operating Conditions

Temperature Range ..... -40°C to 85°C

*CAUTION: Stresses above those listed in "Absolute Maximum Ratings" may cause permanent damage to the device. This is a stress only rating and operation of the device at these or any other conditions above those indicated in the operational sections of this specification is not implied.*

### NOTES:

1. Only if Pin 2 is used to increase current.
2.  $\theta_{JA}$  is measured with the component mounted on an evaluation PC board in free air.

**Electrical Specifications**  $T_A = 25^\circ\text{C}$ ,  $Z_0 = 50\Omega$ ,  $V_{DD} = +5\text{V}$ ,  $P_{IN} = -30\text{dBm}$ ,  $f = 2.45\text{GHz}$ ,  $V_{BIAS} = \text{Open Circuit}$   
 Unless Otherwise Specified

PARAMETER	MIN	TYP	MAX	UNITS
LNA Input Frequency Range	2.4	-	2.5	GHz
Gain	12	14	16	dB
Noise Figure	-	1.90	2.30	dB
Input VSWR	-	1.5:1	-	
Output VSWR	-	1.5:1	-	
Input Return Loss	-	-14.0	-	dB
Output Return Loss	-	-14.0	-	dB
Output 1dB Compression	-	3	-	dBm
Input IP <sub>3</sub>	-	1	-	dBm
Reverse Isolation	-	30	-	dB
Supply Current at $V_{DD} = 5\text{V}$	3	5	7	mA
Supply Range	2.7	-	5.5	V

## Typical Performance Curves

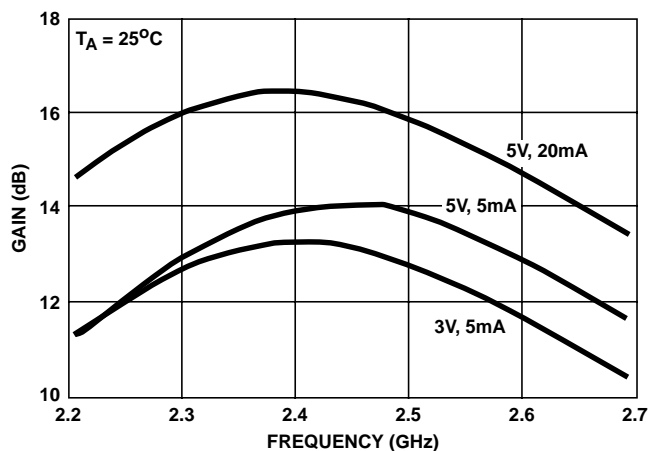


FIGURE 2. GAIN vs FREQUENCY

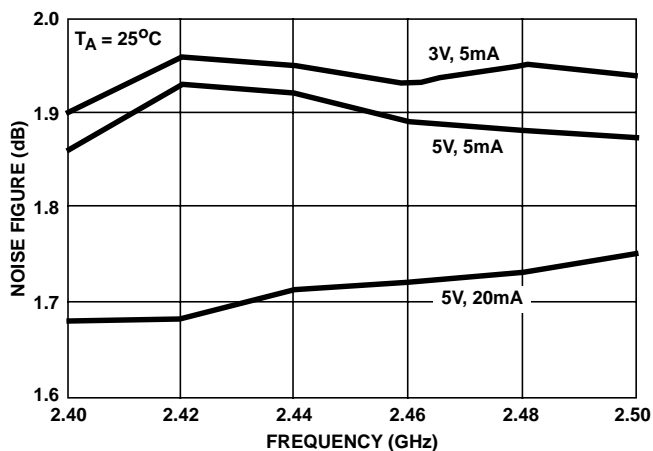


FIGURE 3. NOISE FIGURE vs FREQUENCY

Typical Performance Curves (Continued)

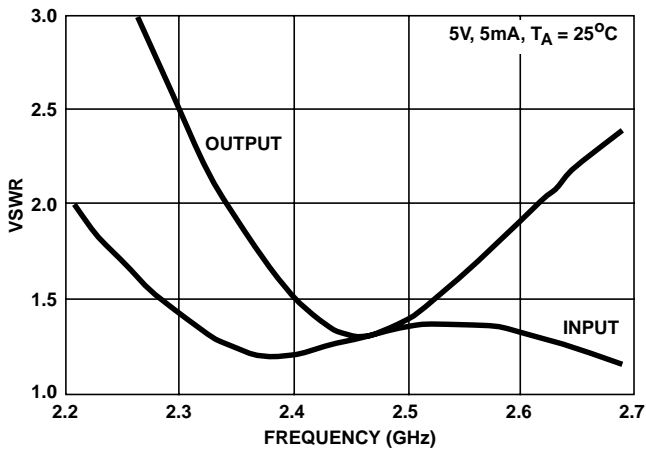


FIGURE 4. VSWR vs FREQUENCY

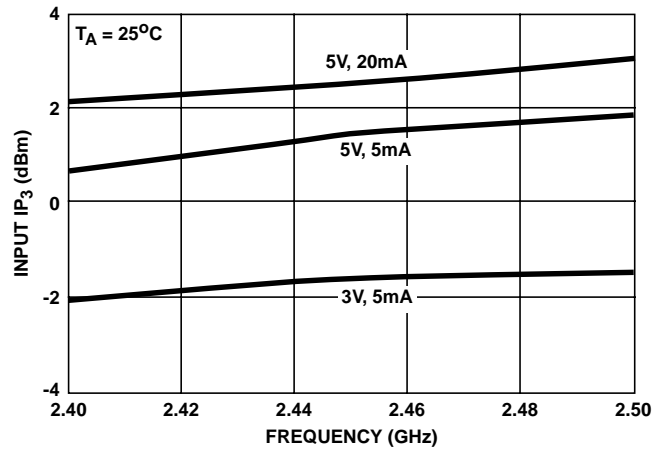


FIGURE 5. INPUT  $IP_3$  vs FREQUENCY

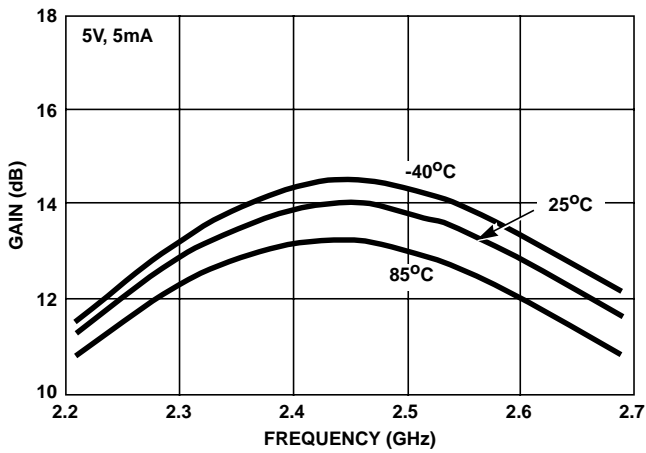


FIGURE 6. GAIN vs FREQUENCY

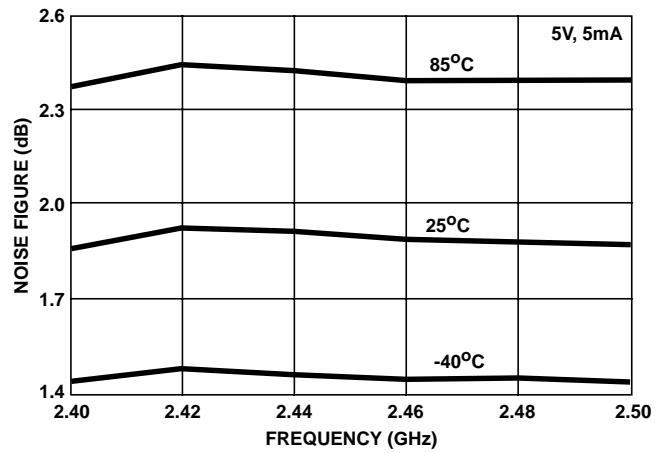
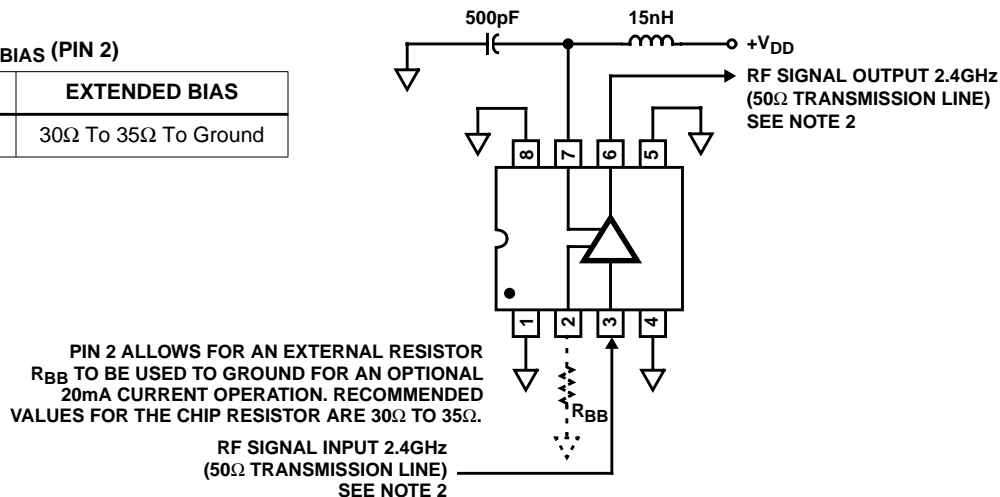


FIGURE 7. NOISE FIGURE vs FREQUENCY

Typical Application Circuit

V <sub>BIAS</sub> (PIN 2)	
NORMAL BIAS	EXTENDED BIAS
Open	30Ω To 35Ω To Ground



NOTE:

- 3. No DC blocking capacitor required on LNA input or output transmission lines.

FIGURE 8. REFERENCE APPLICATION/TEST DESIGN SETUP SCHEMATIC: LOW NOISE AMPLIFIER

All Intersil semiconductor products are manufactured, assembled and tested under **ISO9000** quality systems certification.

*Intersil semiconductor products are sold by description only. Intersil Corporation reserves the right to make changes in circuit design and/or specifications at any time without notice. Accordingly, the reader is cautioned to verify that data sheets are current before placing orders. Information furnished by Intersil is believed to be accurate and reliable. However, no responsibility is assumed by Intersil or its subsidiaries for its use; nor for any infringements of patents or other rights of third parties which may result from its use. No license is granted by implication or otherwise under any patent or patent rights of Intersil or its subsidiaries.*

For information regarding Intersil Corporation and its products, see web site <http://www.intersil.com>

Sales Office Headquarters

**NORTH AMERICA**

Intersil Corporation  
 P. O. Box 883, Mail Stop 53-204  
 Melbourne, FL 32902  
 TEL: (407) 724-7000  
 FAX: (407) 724-7240

**EUROPE**

Intersil SA  
 Mercure Center  
 100, Rue de la Fusee  
 1130 Brussels, Belgium  
 TEL: (32) 2.724.2111  
 FAX: (32) 2.724.22.05

**ASIA**

Intersil (Taiwan) Ltd.  
 7F-6, No. 101 Fu Hsing North Road  
 Taipei, Taiwan  
 Republic of China  
 TEL: (886) 2 2716 9310  
 FAX: (886) 2 2715 3029