

Ceramic High Pass Filter

2500 to 6000 MHz

NEW!
HFCN-2100



BLUE CELL™

CASE STYLE: FV1206

Maximum Ratings

Operating Temperature	-55°C to 100°C
Storage Temperature	-55°C to 100°C
RF Power Input*	7W max. at 25°C

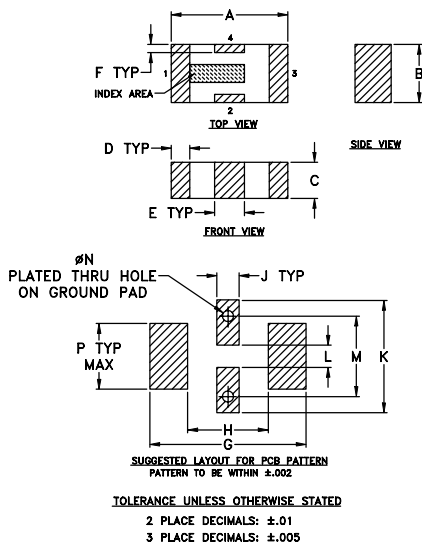
*Passband rating, derate linearly to 3W at 100°C ambient.

Pin Connections

RF IN	1**
RF OUT	3**
GROUND	2,4

** RF IN & RF OUT can be interchanged

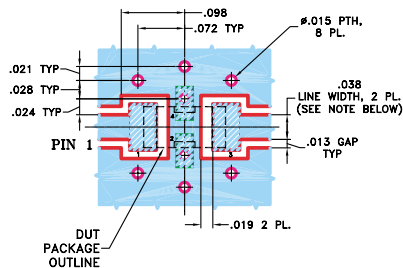
Outline Drawing



Outline Dimensions (inch)

A	B	C	D	E	F	G	H	J	K	L	M	N	P	wt
.126	.063	.037	.024	.087	.009	.169	.087	.024	.122	.024	.087	.012	.071	grams
3.20	1.60	0.94	0.51	0.81	0.23	4.29	2.21	0.61	3.10	0.61	2.21	0.30	1.80	.020

Demo Board MCL P/N: TB-270 Suggested PCB Layout (PL-137)



Features

- low cost
- small size
- 7 sections
- temperature stable
- excellent power handling, 7W

Applications

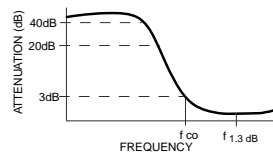
- sub-harmonic rejection
- transmitters/receivers
- lab use

High Pass Filter Electrical Specifications¹ (T_{AMB}=25°C)

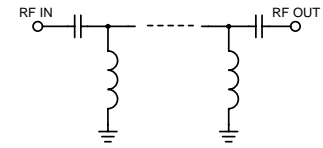
MODEL NO.	STOP BAND (MHz) Min. (loss>40 dB)	STOP BAND (MHz) Max. (loss>20 dB)	f _{co} , MHz Nom. (loss 3 dB) Typ.	PASSBAND (MHz) Max. (loss<1.3 dB)	PASSBAND (MHz) Typ. (loss<2 dB)	VSWR Typ. Frequency Stopband (MHz) 1.5:1	POWER INPUT (W)	NO. OF SECTIONS
HFCN-2100	1050	1530	2100	2500-5000	2200-6000	20:1	2400-5200	7

1. For Applications requiring DC voltage to be applied to the Input or output, use HFCN-2100D (DC Resistance to ground is 100 Mohms min.)

typical frequency response



schematic



Typical Performance Data at 25°C

Frequency (MHz)	Insertion Loss (dB)	VSWR (:1)
1.00	87.12	>20
500.00	57.51	>20
1200.00	57.51	>20
1530.00	27.57	>20
1800.00	14.13	>20
2100.00	2.96	2.96
2500.00	0.86	1.29
3000.00	0.77	1.45
4000.00	0.67	1.39
5000.00	0.70	1.28
5681.00	1.24	1.82
6000.00	1.55	2.14
7000.00	2.69	3.34
8000.00	3.65	4.67
9000.00	4.72	6.30

