

FEATURES

- Miniature type, general purpose applications
- 2 to 4 poles contact form
- DC and AC coil available
- Various mounting options include socket, PCB and flange
- UL, CUR approved

TYPICAL APPLICATIONS

- Machine tools
- Medical equipment
- Industrial control
- Transportation

CONTACT RATING

Form	2 Form C (2Z), 3 Form C (3Z)		4 Form C (4Z)	
	Standard	Heavy Duty	Standard	Heavy Duty
Rated Load	5A, 220VAC/30VDC	7A, 220VAC/30VDC	3A, 220VAC/30VDC	5A, 220VAC/30VDC
Max. Switching Current	5A	7A	3A	5A
Max. Switching Voltage	250VAC/125VDC			
Max. Switching Power	1100VA/150W	1540VA/210W	660VA/90W	1100VA/150W

UL/CUR RATING

Form	2 Form C (2Z)	3 Form C (3Z)	4 Form C (4Z)
General Use	3A, 240VAC/30VDC		
Resistive	7A, 250VAC/30VDC	5A, 250VAC/30VDC	5A, 250VAC/30VDC

CONTACT DATA

Material	AgCe	
Initial Contact Resistance	50 mΩ max. at 1A, 30VDC	
Service Life	Mechanical	2 x 10 ⁷ ops.
	Electrical	2 x 10 ⁵ ops. for standard version 10 ⁵ ops. for heavy duty version

COIL DATA

Type	Coil Voltage Code	Nominal Voltage (VDC/VAC)	Resistance (Ω) ±10%		Must Operate Voltage max. (VDC/VAC)	Must Release Voltage min. (VDC / VAC)
			Power Consumption			
DC	005	5	27.5	0.9W	4.0	0.5
	006	6	40		4.8	0.6
	012	12	160		9.6	1.2
	024	24	650		19.2	2.4
	048	48	2600*		38.4	4.8
	110	110	11000*		88.0	11.0
AC	006A	6	11.5	1.2VA	4.8	1.8
	012A	12	46		9.6	3.6
	024A	24	184		19.2	7.2
	048A	48	735		38.4	14.4
	120A	120	4550*		96.0	36.0
	220A/240A	220/240	14400*		176.0	66.0

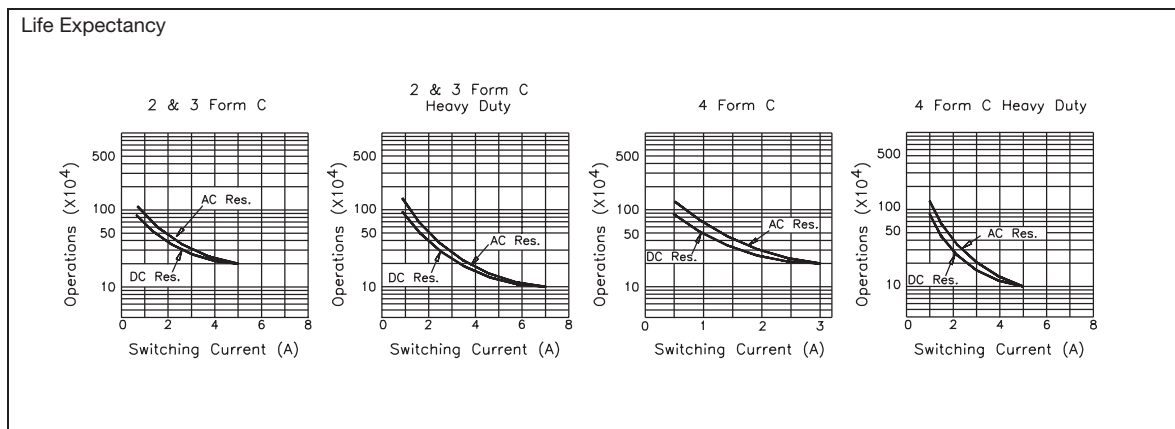
CHARACTERISTICS

Operate Time	25 ms.
Release Time	25 ms.
Insulation Resistance	1000 MΩ, at 500 VDC, 50%RH
Dielectric Strength	1500 Vrms, 1 min. between coil and contacts 1000 Vrms, 1 min. between open contacts
Shock Resistance	10 g, 11ms. functional; 100 g, destructive
Vibration Resistance	DA 1.5 mm, 10 - 55 Hz
Ambient Temperature	-55°C to 70°C
Weight	37 g, approx.

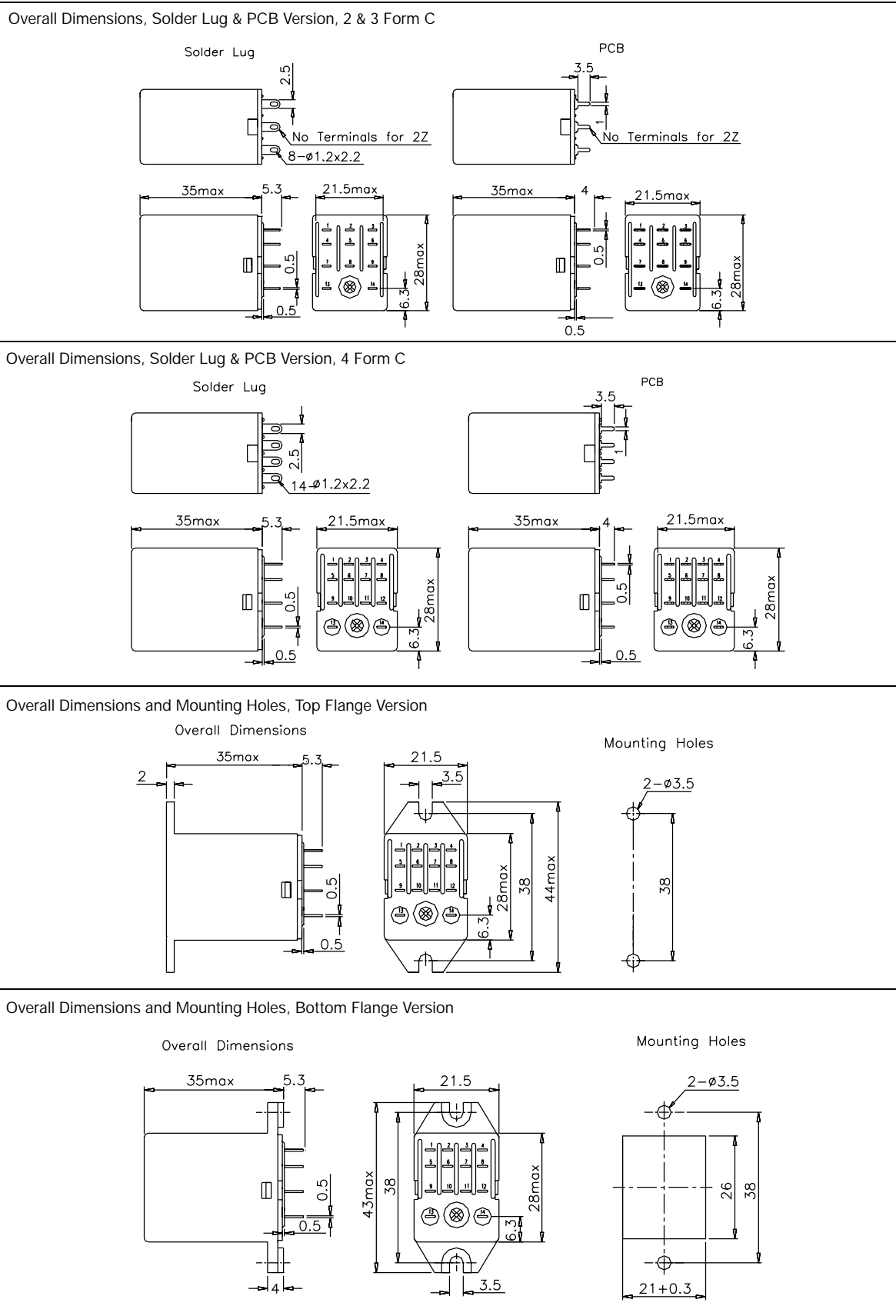
ORDERING DESIGNATION

Example:	HG4104 /	012	A -	4Z	4	D	C	H
Model								
Coil Voltage Code								
DC/AC Nil: DC Coil; A: AC Coil								
Contact Form 2Z: 2 Form C 3Z: 3 Form C 4Z: 4 Form C								
Version Nil: Solder Lug 4: PCB 6: Top Flange 6A: Bottom Flange 6B: Lateral Flange								
Indicator Nil: Without LED; D: With LED								
Contact Material C: AgCe; S: AgSnInO								
Duty Version Nil: Standard; H: Heavy Duty								

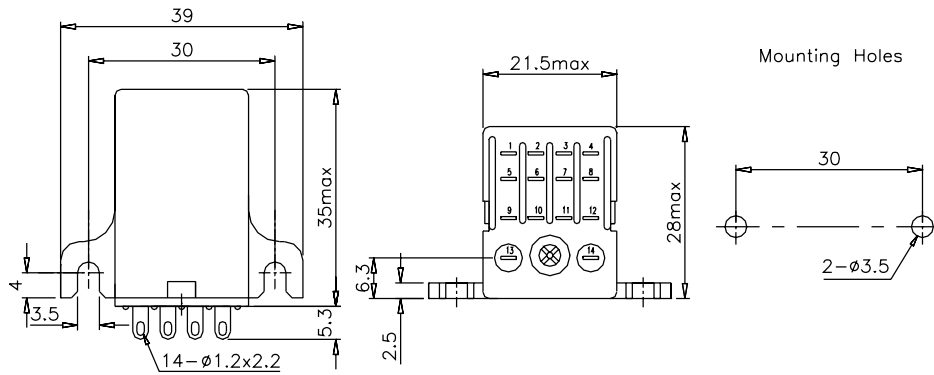
REFERENCE CURVES



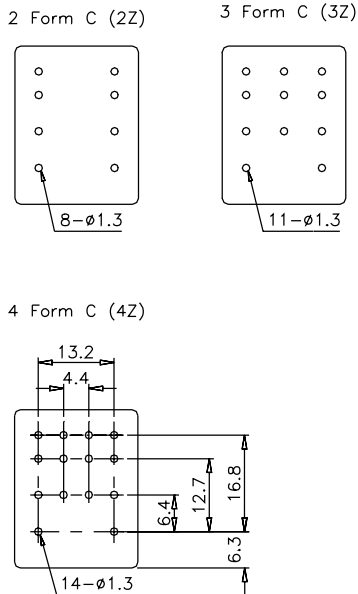
OVERALL DIMENSIONS, MOUNTING HOLES AND WIRING DIAGRAMS (mm)



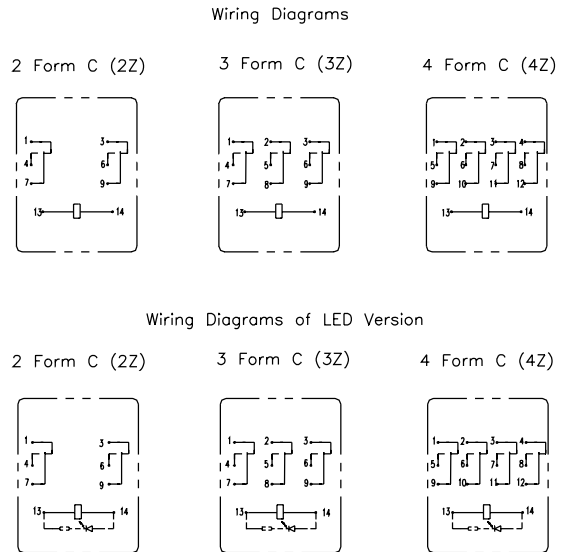
Overall Dimensions and Mounting Holes, Lateral Flange Version



Mounting Holes PCB Version (Bottom View)



Wiring Diagrams (Bottom View)



NOTES

1. All parameters, unless otherwise specified, are measured at ambient temperature 23°C.
2. Coil resistance with * mark is ±15%.
3. Custom-made services available with operational quantity. Please let us know your special requirements.
4. Specifications subject to change without prior notice.