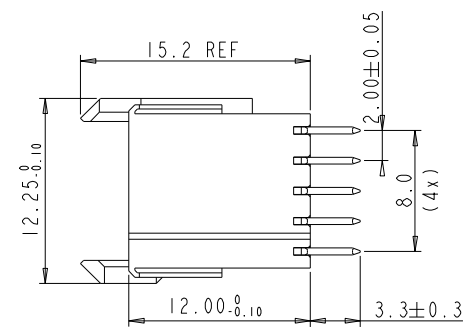
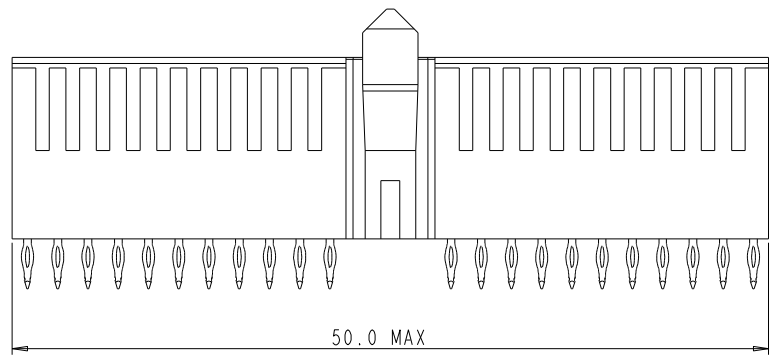
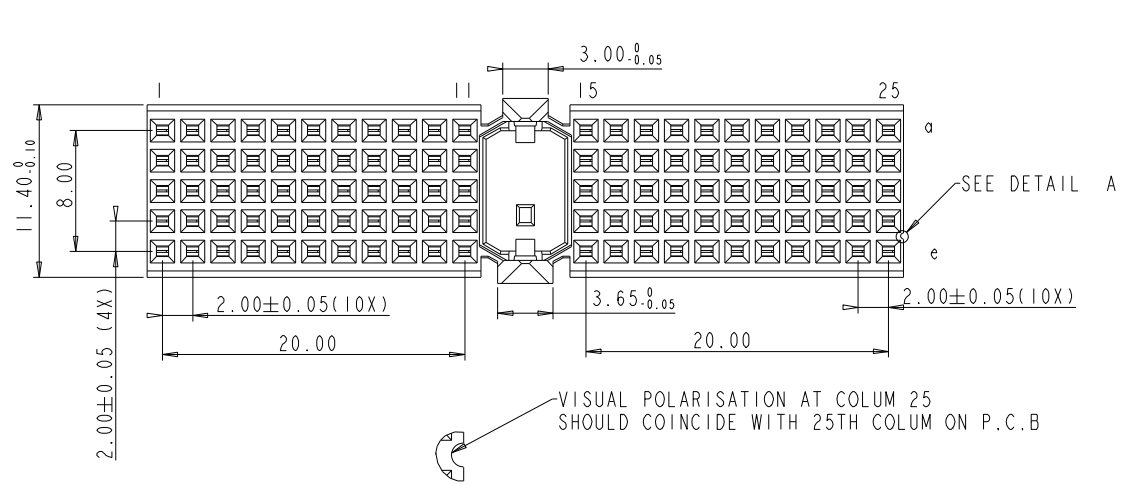


Tous droits strictement réservés. Reproduction ou communication à des tiers interdite sous quelque forme que ce soit sans autorisation écrite du propriétaire. Propriété de c FCI. Droits de reproduction FCI.

**FCI**

All rights strictly reserved. Reproduction or issue to third parties in any form whatever is not permitted without written authority from the proprietor. Property of FCI. Copyright FCI.



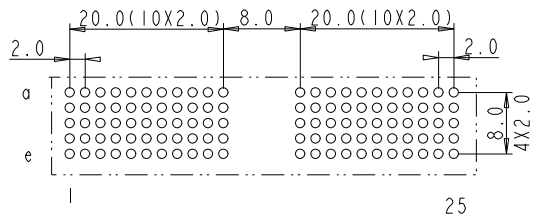
**PERFORMANCE CHARACTERISTICS**

- CURRENT RATING : 1.5A AT 20°C (FULLY LOADED)  
1 A AT 70°C (FULLY LOADED)
- RATED VOLTAGE : 500 V AC (CONT /CONT)
- OPERATING TEMPERATURE : -55°C TO 125°C
- CONTACT RESISTANCE 20 MΩ MAX
- INSERTION FORCE : 0.75N MAX/CONT
- EXTRACTION FORCE : 0.15N MIN/CONT
- INSULATION RESISTANCE : 10<sup>4</sup> MΩ MIN

**NOTES**

- LEAD FREE INDICATOR : LF=LEAD FREE
- PERFORMANCE LEVEL INDICATOR (REF DWG NO. BSC .201844.003)
- THIS PRODUCT IS CSA APPROVED. THIS PRODUCT IS UL RECOGNIZED.
- FOR RECOMMENDED PTH DIMENSIONS REFER DRAWING : BS.A.201572.001
- THIS PRODUCT (LF) MEETS EUROPEAN UNION DIRECTIVES AND OTHER COUNTRY REGULATIONS AS DESCRIBED IN GS-22-008

LAY OUT  
P.C.B -HOLE  
(FRONT SIDE)



rev	ecn no	dr	date
A	CONVERSION REVISION 00	Kason	14-09-01
B	104-0109	ALEX E	27-11-04
C	0605-0278	Kason	02-08-05
-	-	-	-
-	-	-	-
-	-	-	-
-	-	-	-

Material		Spec ref	
Mat code		tolerance	projection
Heatreat		1DEC±0.2 1DEC 2DEC±0.1 2DEC ANGLE±1° HOEKEN	⊕ ⊞
Plating/Finish		size	Scale
Dr	M. Fret	30-10-97	A4
Eng		Product family	MILLIPACS
Chr		Model Name	ECN
Appr		Model Revision	REL Level

<b>FCI</b>	title	MILLIPICS 2/TYPE A (W/O LOC.PEG)/NO SHIELDING	dwg no	BSC201907007	Rev. C
Pro/E file	catalog	HM2610PE5100-...	CUSTOMER DRAWING	sheet 1 of 1	