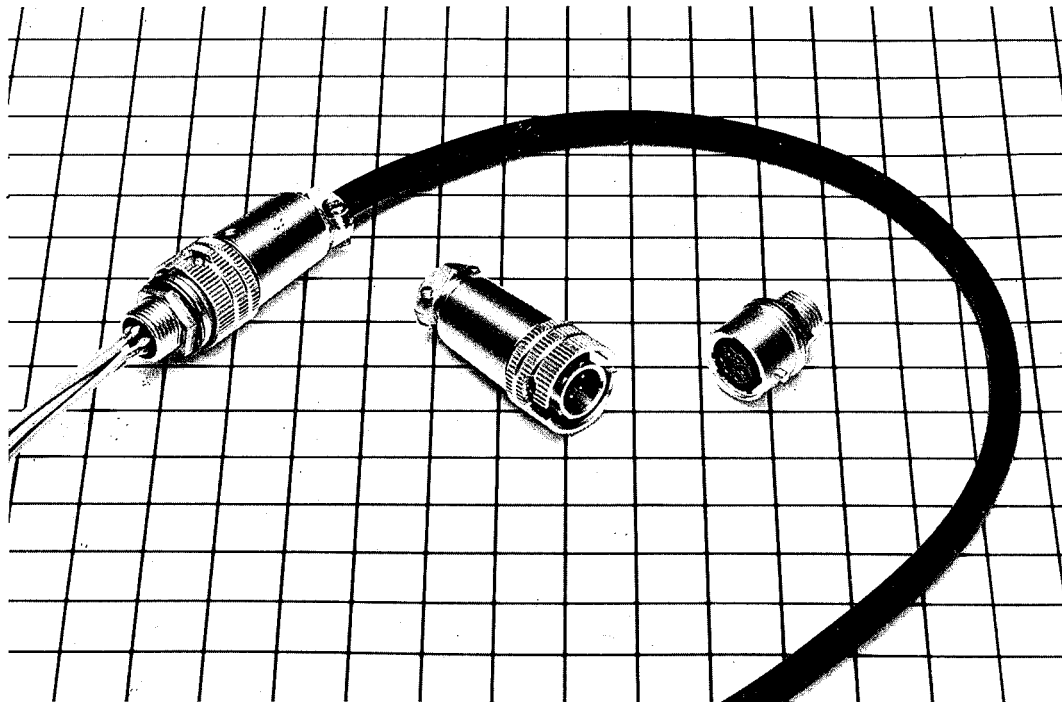


HR11 SERIES SHELL SIZE 9mm BAYONET LOCK CONNECTORS

Scope

HR11 Series circular connectors have been developed for applications with compact sized electronic equipment. Small size and reliability are key features of the HR11.

The applications include communications devices, instrumentation, broadcasting studios, and other electronic equipment.



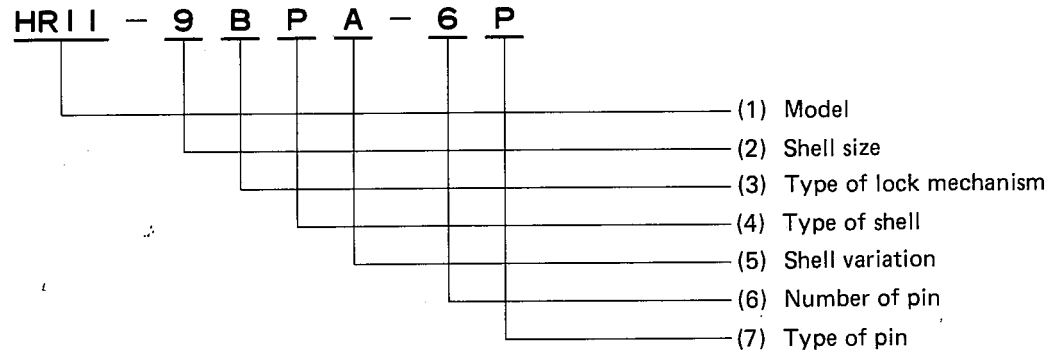
Features

1. A five-key mating guide helps to guide the connector into the specified position even without looking.
2. Contacts are located at safe positions to prevent the contact pins from being damaged when trying to fit the mating guide (fine keys) blindly.
3. Connector is easy to insert and extract due to the bayonet locking mechanism.
4. Enhanced packaging density using hexagon headed nut tightening system to fix the receptacle to the panel.
5. Each model of the connectors is available in male and female, to suit all requirements.
6. Slim and streamlined design with satin finish surface matches compact devices without spoiling the appearance.

Material and Finish

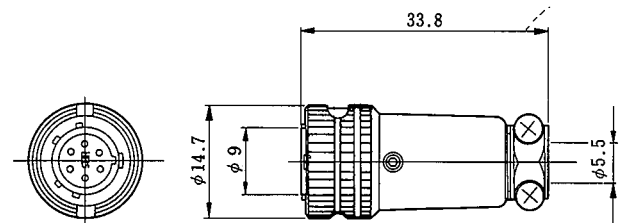
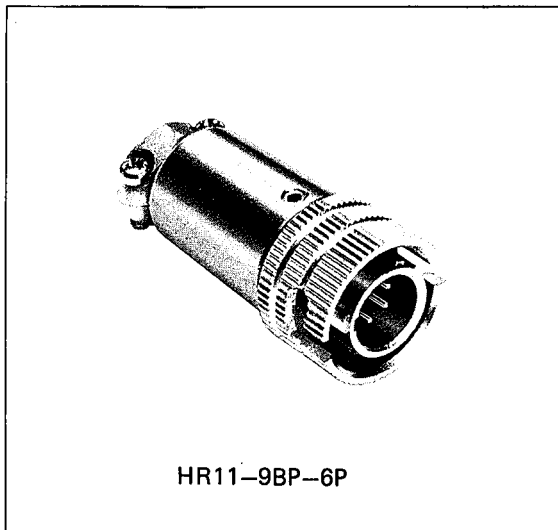
Part	Material	Finish
Shell	Zinc-alloy and brass	Satin-finished and nickel plated
Insulation	Polyamide resin	(Black)
Male terminal	Brass	Silver plated
Female terminal	Phosphor bronze	Silver plated

Ordering Information



1. HR11: Series Name
2. 9: Shell Size
3. B: Bayonet Lock
4. P: Shell Type (P: Plug, R: Receptacle, J: Jack)
5. A: Variation of the same connector configuration is shown by A, B, C, D
6. 6: No. of pins
7. P: Type of Pin (P: Male pin, S: Female pin)

Plug

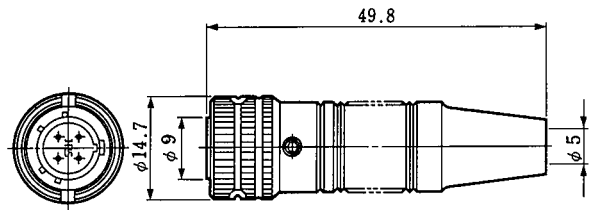
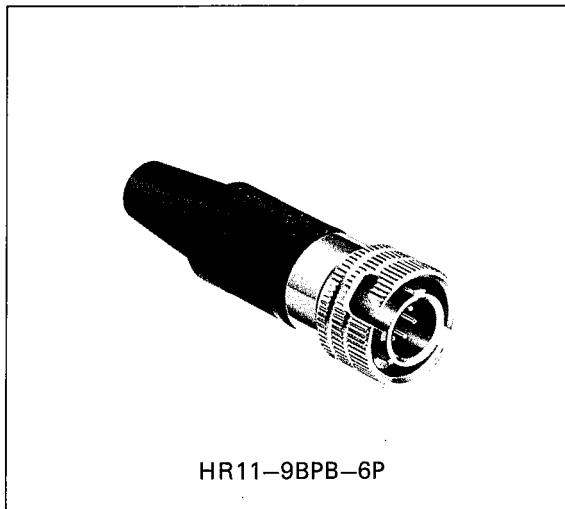


(An example in shape)

HRS No.	Part No.	No. of pins	Weight
111-0012-1	HR11-9BP-4P	4	20gr
111-0013-4	HR11-9BP-4S	4	20gr
111-0001-5	HR11-9BP-6P	6	20gr
111-0003-0	HR11-9BP-6S	6	20gr

Remark: Fasten a screw by means of torque wrench at 3.5 ~ 4.5 kg-cm.

Plug (with Rubber boot)

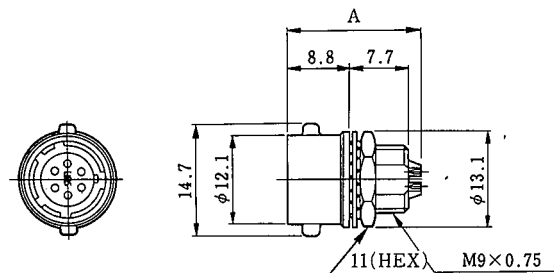
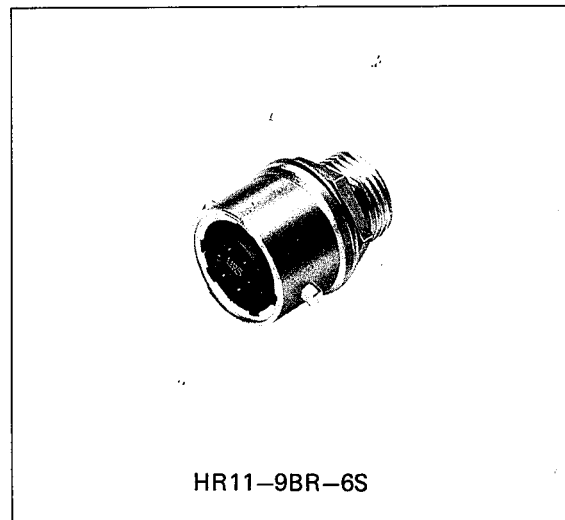


(An example in shape)

HRS No.	Part No.	No. of pins	Weight
111-0101-0	HR11-9BPB-4P	4	18gr
111-0102-2	HR11-9BPB-4S	4	18gr
111-0109-1	HR11-9BPB-6P	6	18gr
111-0110-0	HR11-9BPB-6S	6	18gr

Remark: Fasten a screw by means of torque wrench at 3.5 ~ 4.5 kg-cm.

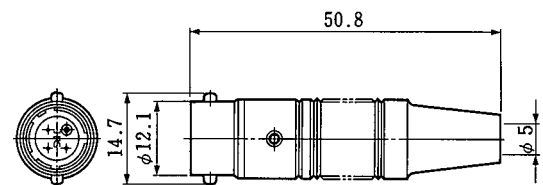
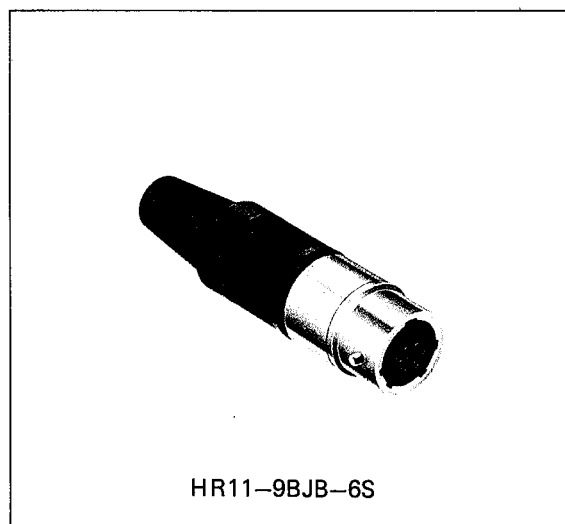
Receptacle



(An example in shape)

HRS No.	Part No.	No. of pins	Weight	A
111-0103-5	HR11-9BR-4P	4	5gr	18
111-0104-8	HR11-9BR-4S	4	5gr	18.3
111-0004-3	HR11-9BR-6P	6	6gr	18
111-0002-8	HR11-9BR-6S	6	6gr	18.3

Jack (with Rubber boot)



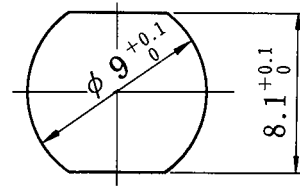
(An example in shape)

HRS No.	Part No.	No. of pins	Weight
111-0106-3	HR11-9BJB-4S	4	17gr
111-0108-9	HR11-9BJB-6P	6	17gr
111-0107-6	HR11-9BJB-6S	6	17gr

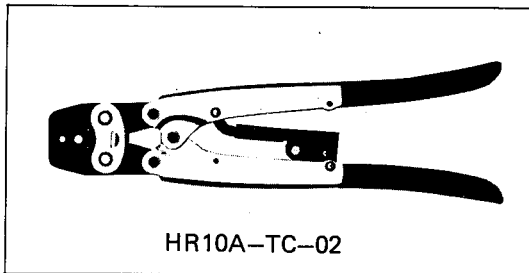
Remark: Fasten a screw by means of torque wrench at 3.5 ~ 4.5 kg-cm.

Mounting Cutout

- Applicable panel thickness: 1 ~ 3.5 mm
- Mounting Method: Fastening a Hexagon Nut



Clamping Tool (For use with Rubber boot type)



Use for applicable dia. $\phi 5\text{mm}$.



PB205/1.27

HRS No.	Part No.
150-0041-2	HR10A-TC-02
150-0066-3	PB205/1.27

Contact

No. of pin.	4	6
Shell Size		
Withstanding Voltage	AC300V for a minute	
Current Rating	2A	
Insulation Resistance	MIN. 200M Ω at DC100V	
Contact Resistance	MAX. 10m Ω at DC1A	
Solder Pot Diameter	$\phi 0.8$ mm	
Applicable Cable Dia.	$\phi 4.5 - \phi 5.5\text{mm}$	

Note 1. The Contact Arrangement shown here is the mating surface of socket insert assembled in a receptacle. The contact number is shown 1 and 6 on the wiring side.

2. The Withstanding Voltage is the test value.