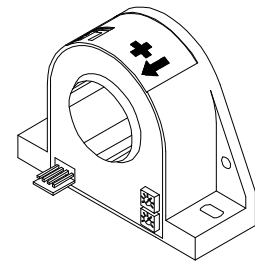


Current Transducer HTA 100..1000-S

For the electronic measurement of DC, AC and pulsed currents, with a galvanic isolation between the primary (high power) circuit and the secondary (electronic) circuit.

$$I_{PN} = 100 \text{ A}$$



Electrical data

Primary nominal r.m.s. current I_{PN} (A)	Primary current measuring range I_p (A)	Type
100	± 300	HTA 100-S
200	± 600	HTA 200-S
300	± 900	HTA 300-S
400	± 1000	HTA 400-S
500	± 1000	HTA 500-S
600	± 1000	HTA 600-S
1000	± 1000	HTA 1000-S
\hat{I}_p	Overload capacity (Ampere Turns)	30000 A
V_{OUT}	Analogue output voltage @ $\pm I_{PN}$	± 4 V
R_L	Load resistance $T_A = 0 \dots +70^\circ\text{C}$	> 1 k Ω
	$T_A = -25 \dots +85^\circ\text{C}$	> 3 k Ω
V_C	Supply voltage ($\pm 5\%$)	± 15 V
I_C	Current consumption (max)	25 mA
V_b	Rms rated voltage ¹⁾	500 V
V_d	Rms voltage for AC isolation test, 50 Hz, 1 mn	3 kV
R_{is}	Isolation resistance @ 500 V _{DC}	> 500 M Ω

Accuracy - Dynamic performance data

X	Accuracy ²⁾ @ I_{PN} , $T_A = 25^\circ\text{C}$, @ ± 15 V	± 1	%
e_L	Linearity ²⁾	± 0.5	%
		Max	
V_{OE}	Electrical offset voltage @ $I_p = 0$, $T_A = 25^\circ\text{C}$	± 10	mV
V_{OM}	Residual offset voltage @ $I_p = 0$ after an overload of $3 \times I_{PN}$	± 10	mV
V_{OT}	Thermal drift of offset voltage $T_A = -25 \dots +85^\circ\text{C}$	± 1	mV/ $^\circ\text{C}$
TCE_G	Thermal drift of gain $T_A = -25 \dots +85^\circ\text{C}$	± 0.05	%/ $^\circ\text{C}$
t_r	Response time @ 90% of I_p	< 3	μs
di/dt	di/dt accurately followed	> 50	A/ μs
f	Frequency bandwidth (-3 dB) ³⁾	DC .. 50	kHz

General data

T_A	Ambient operating temperature	-25 .. +85	$^\circ\text{C}$
T_S	Ambient storage temperature	-25 .. +85	$^\circ\text{C}$
m	Mass	230	g
	Standards	Safety	EN50178 (1994)
		EMC	EN50082-2 (1992)
			EN50081-1 (1992)
	Deviation in output when tested to EN 61000-4-6	< 10	% of I_{PN}
	Deviation in output when tested to EN 61000-4-4	< 10	% of I_{PN}

Notes : ¹⁾ Overvoltage Category III, Pollution Degree 2

²⁾ Excludes the electrical offset

³⁾ Refer to derating curves in the technical file to avoid excessive core heating at high frequency

Features

- Open loop transducer using Hall Effect
- Panel mounting - Horizontal or Vertical
- Insulated plastic case to UL 94-V0.

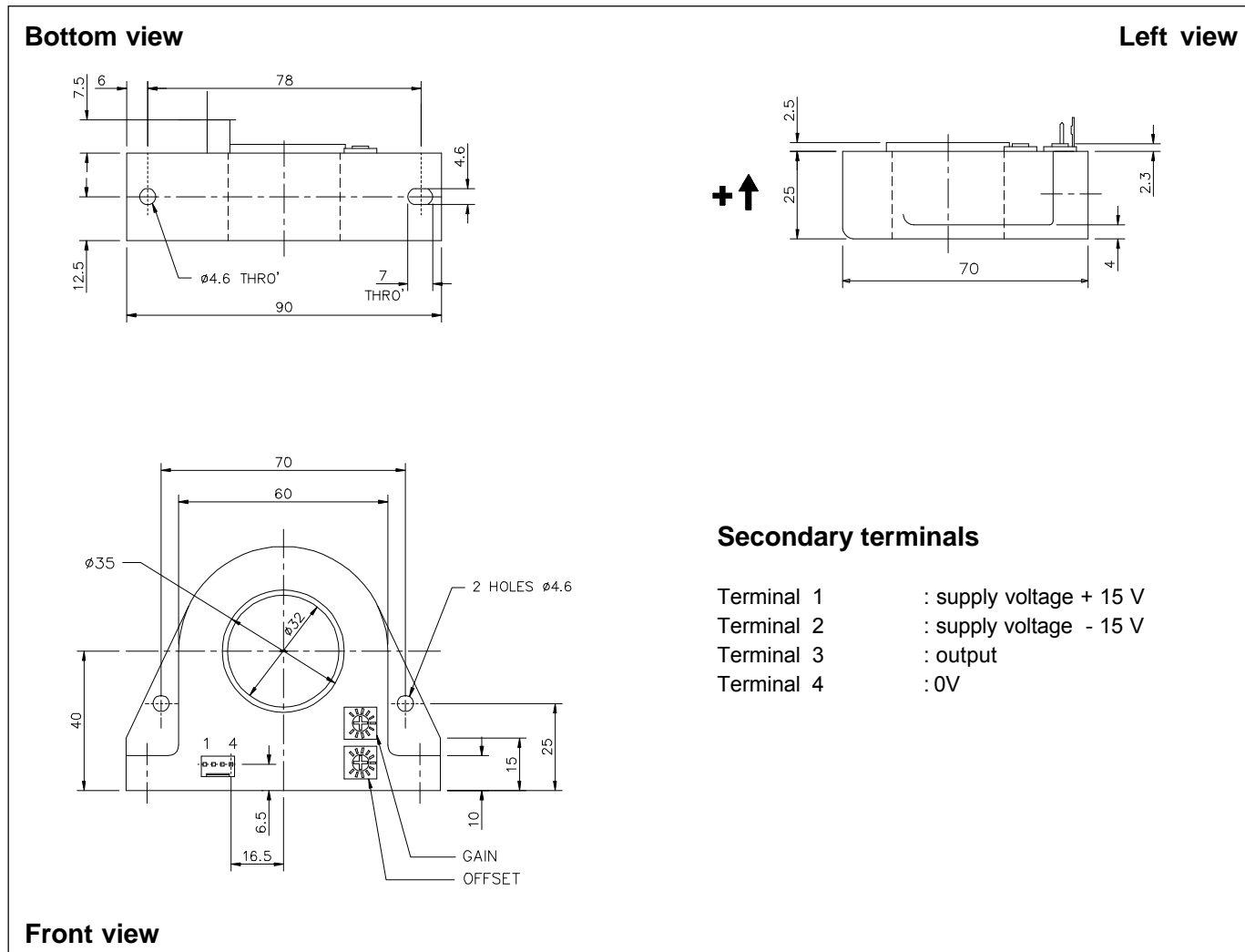
Advantages

- Very good linearity
- Very good accuracy
- Low temperature drift
- Wide frequency bandwidth
- Very low insertion losses
- High immunity to external interference
- Current overload capability
- Low power consumption
- Wide dynamic range, 100 to 1000 A in one package.

Applications

- AC variable speed drives and servo motor drives
- Static converters for DC motor drives
- Battery supplied applications
- Uninterruptable Power Supplies (UPS)
- Switched Mode Power Supplies (SMPS)
- Power supplies for welding applications.

Dimensions HTA 100..1000-S (in mm)



Mechanical characteristics

- General tolerance ± 0.5 mm
- Primary through-hole $\phi 32$ mm
- Connection of secondary Molex 5045-04-A

Remarks

- V_{OUT} is positive when I_p flows in the direction of the arrow.
- Temperature of the primary conductor should not exceed 90°C .
- This is a standard model. For different versions (supply voltages, secondary connections, unidirectional measurements, operating temperatures, etc.) please contact us.