

Document Title**512K x8 bit 3.0V Low Power CMOS slow SRAM**Revision History

<u>Revision No</u>	<u>History</u>	<u>Draft Date</u>	<u>Remark</u>
04	Revision History Insert Revised - Insert 70ns Part - Improved standby current I _{sb1} : 30uA ; 20uA	Jul.26.2000	Final
05	Revised - Change I _{ccdr} Value : 15uA => 20uA	Aug.04.2000	Final
06	Marking Information Add Revised - E.T (-25~85°C), I.T (-40~85°C) Part Insert - AC Test Condition Add : 5pF Test Load - t _{CLZ} Value Change : 15ns/20ns - > 10ns - V _{IH} max : V _{cc} + 0.2V => V _{cc} + 0.3V - V _{IL} min : - 0.2V => - 0.3V	Dec.04.2000	Final
07	Changed Logo - HYUNDAI -> hynix - Marking Information Change	Apr.30.2001	Final

DESCRIPTION

The HY62U8400A is a high-speed, low power and 4M bits CMOS SRAM organized as 512K words by 8 bits. The HY62U8400A uses Hynix's high performance twin tub CMOS process technology and was designed for high-speed and low power circuit technology. It is particularly well suited for use in high-density and low power system applications. This device has a data retention mode that guarantees data to remain valid at the minimum power supply voltage of 2.0V.

FEATURES

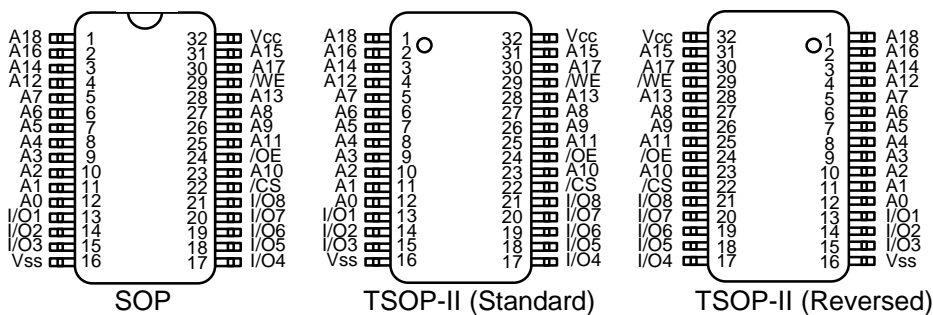
- Fully static operation and Tri-state outputs
- TTL compatible inputs and outputs
- Low power consumption
- Battery backup(LL-part)
 - 2.0V(min) data retention
- Standard pin configuration
 - 32pin 525mil SOP
 - 32pin 400mil TSOP-II (Standard and Reversed)

Product No.	Voltage (V)	Speed (ns)	Operation Current/Icc(mA)	Standby Current(μA)	Temperature (°C)
				LL	
HY62U8400A	2.7~3.3	70*/85/100	5	20	0~70
HY62U8400A-E	2.7~3.3	70*/85/100	5	30	-25~85
HY62U8400A-I	2.7~3.3	70*/85/100	5	30	-40~85

Note 1. Current value is max.

* 70ns is available with 30pF test load

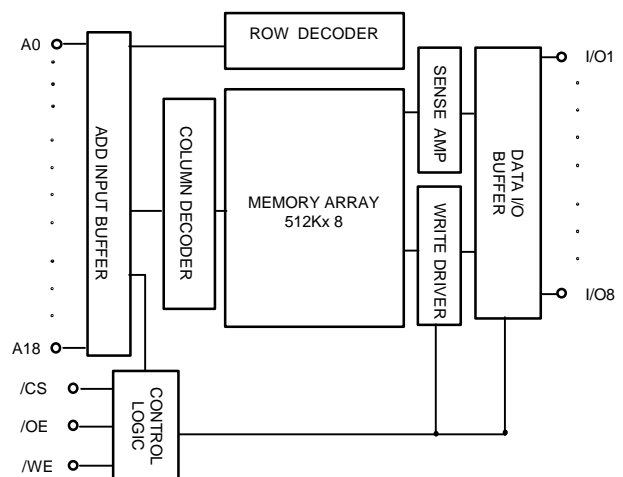
PIN CONNECTION



PIN DESCRIPTION

Pin Name	Pin Function
/CS	Chip Select
/WE	Write Enable
/OE	Output Enable
A0 ~ A18	Address Input
I/O1 ~ I/O8	Data Input/Output
Vcc	Power(2.7~3.3V)
Vss	Ground

BLOCK DIAGRAM



ORDERING INFORMATION

Part No.	Speed	Power	Temp	Package
HY62U8400ALLG	70*/85/100	LL-part	0~70 °C	SOP
HY62U8400ALLG-E	70*/85/100	LL-part	-25~85 °C	SOP
HY62U8400ALLG-I	70*/85/100	LL-part	-40~85 °C	SOP
HY62U8400ALLT2	70*/85/100	LL-part	0~70 °C	TSOP-II (Standard)
HY62U8400ALLT2-E	70*/85/100	LL-part	-25~85 °C	TSOP-II (Standard)
HY62U8400ALLT2-I	70*/85/100	LL-part	-40~85 °C	TSOP-II (Standard)
HY62U8400ALLR2	70*/85/100	LL-part	0~70 °C	TSOP-II (Reversed)
HY62U8400ALLR2-E	70*/85/100	LL-part	-25~85 °C	TSOP-II (Reversed)
HY62U8400ALLR2-I	70*/85/100	LL-part	-40~85 °C	TSOP-II (Reversed)

* 70ns is available with 30pF test load

ABSOLUTE MAXIMUM RATING (1)

Symbol	Parameter	Rating	Unit
V _{CC} , V _{IN} , V _{OUT}	Power Supply, Input/Output Voltage	-0.5 to 4.0	V
T _A	Operating Temperature	HY62U8400A	0 to 70
		HY62U8400A-E	-25 to 85
		HY62U8400A-I	-40 to 85
T _{STG}	Storage Temperature	-65 to 150	°C
P _D	Power Dissipation	1.0	W
I _{OUT}	Data Output Current	50	MA
T _{SOLDER}	Lead Soldering Temperature & Time	260 •10	°C•sec

Note

- Stresses greater than those listed under ABSOLUTE MAXIMUM RATINGS may cause permanent damage to the device. This is stress rating only and the functional operation of the device under these or any other conditions above those indicated in the operation of this specification is not implied. Exposure to the absolute maximum rating conditions for extended period may affect reliability.

TRUTH TABLE

/CS	/WE	/OE	MODE	I/O OPERATION	Power
H	X	X	Deselected	High-Z	Standby
L	H	H	Output Disabled	High-Z	Active
L	H	L	Read	Data Out	Active
L	L	X	Write	Data In	Active

Note :

- H=V_{IH}, L=V_{IL}, X=don't care (V_{IH} or V_{IL})

RECOMMENDED DC OPERATING CONDITION

$T_A = 0$; $f = 70$; (Normal)/-25°C to 85°C (Extended) /-40°C to 85°C (Industrial), unless otherwise specified.

Symbol	Parameter	Min.	Typ.	Max.	Unit
Vcc	Supply Voltage	2.7	3.0	3.3	V
Vss	Ground	0	0	0	V
V _{IH}	Input High Voltage	2.2	-	Vcc+0.3	V
V _{IL}	Input Low Voltage	-0.3(1)	-	0.4	V

Note :

1. V_{IL} = -1.5V for pulse width less than 30ns and not 100% tested.

DC ELECTRICAL CHARACTERISTICS

$T_A = 0$; $f = 70$; (Normal)/-25°C to 85°C (Extended) /-40°C to 85°C (Industrial), unless otherwise specified.

Symbol	Parameter	Test Condition	Min	Typ	Max	Unit	
I _{LI}	Input Leakage Current	$V_{SS} \leq V_{IN} \leq V_{CC}$	-1	-	1	uA	
I _{LO}	Output Leakage Current	$V_{SS} \leq V_{OUT} \leq V_{CC}$, /CS = V _{IH} or /OE = V _{IH} or /WE = V _{IL}	-1	-	1	uA	
I _{CC}	Operating Power Supply Current	/CS = V _{IL} , V _{IN} = V _{IH} or V _{IL} , I _{I/O} = 0mA	-	-	5	mA	
I _{CC1}	Average Operating Current	/CS = V _{IL} Min Duty Cycle = 100%, V _{IN} = V _{IH} or V _{IL} , I _{I/O} = 0mA	-	-	35	mA	
I _{SB}	TTL Standby Current (TTL Input)	/CS = V _{IH} V _{IN} = V _{IH} or V _{IL}	-	-	0.5	mA	
I _{SB1}	Standby Current (CMOS Input)	/CS \geq Vcc - 0.2V, V _{IN} \geq Vcc - 0.2V or V _{IN} \leq Vss + 0.2V	LL	-	-	20	uA
			LL-E/I	-	-	30	uA
V _{OL}	Output Low Voltage	I _{OL} = 2.1mA	-	-	0.4	V	
V _{OH}	Output High Voltage	I _{OH} = -1mA	2.2	-	-	V	

Note : Typical values are at Vcc = 3.0V, T_A = 25°C

CAPACITANCE

Temp = 25°C, f = 1.0MHz

Symbol	Parameter	Condition	Max.	Unit
C _{IN}	Input Capacitance	V _{IN} = 0V	6	pF
C _{OUT}	Output Capacitance	V _{I/O} = 0V	8	pF

Note : This parameter is sampled and not 100% tested

AC CHARACTERISTICS

TA = 0; fto 70; f(Normal)/-25°C to 85°C (Extended) /-40°C to 85°C (Industrial), unless otherwise specified.

#	Symbol	Parameter	-70*		-85		-10		Unit
			Min.	Max.	Min.	Max.	Min	Max.	
READ CYCLE									
1	tRC	Read Cycle Time	70	-	85	-	100	-	ns
2	tAA	Address Access Time	-	70	-	85	-	100	ns
3	tACS	Chip Select Access Time	-	70	-	85	-	100	ns
4	tOE	Output Enable to Output Valid	-	40	-	45	-	50	ns
5	tCLZ	Chip Select to Output in Low Z	10	-	10	-	10	-	ns
6	tOLZ	Output Enable to Output in Low Z	5	-	5	-	5	-	ns
7	tCHZ	Chip Deselection to Output in High Z	0	30	0	30	0	30	ns
8	tOHZ	Out Disable to Output in High Z	0	30	0	30	0	30	ns
9	tOH	Output Hold from Address Change	10	-	10	-	15	-	ns
WRITE CYCLE									
10	tWC	Write Cycle Time	70	-	85	-	100	-	ns
11	tCW	Chip Selection to End of Write	60	-	70	-	80	-	ns
12	tAW	Address Valid to End of Write	60	-	70	-	80	-	ns
13	tAS	Address Set-up Time	0	-	0	-	0	-	ns
14	tWP	Write Pulse Width	50	-	60	-	70	-	ns
15	tWR	Write Recovery Time	0	-	0	-	0	-	ns
16	tWHZ	Write to Output in High Z	0	25	0	30	0	35	ns
17	tDW	Data to Write Time Overlap	30	-	40	-	45	-	ns
18	tDH	Data Hold from Write Time	0	-	0	-	0	-	ns
19	tOW	Output Active from End of Write	5	-	5	-	10	-	ns

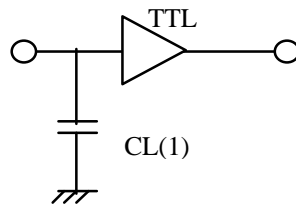
Note * 70ns is available with 30pF test load

AC TEST CONDITIONS

TA = 0; fto 70; f(Normal)/-25°C to 85°C (Extended) /-40°C to 85°C (Industrial), unless otherwise specified.

Parameter	Value
Input Pulse Level	0.4V to 2.2V
Input Rise and Fall Time	5ns
Input and Output Timing Reference Level	1.5V
Output Load	tCLZ,tOLZ,tCHZ,tOHZ,tWHZ,tOW
	CL = 5pF + 1TTL Load
	CL = 100pF + 1TTL Load
	CL = 30pF + 1TTL Load

AC TEST LOADS

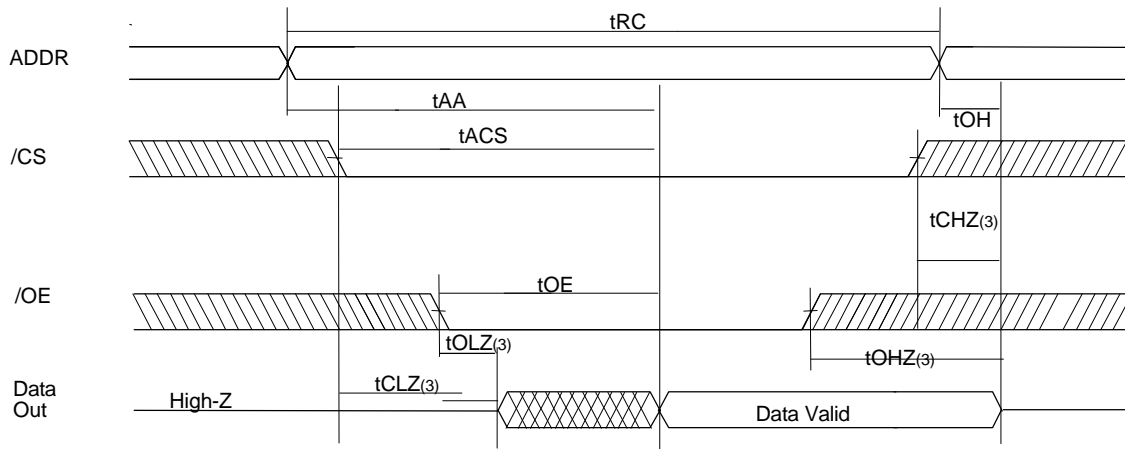


Note

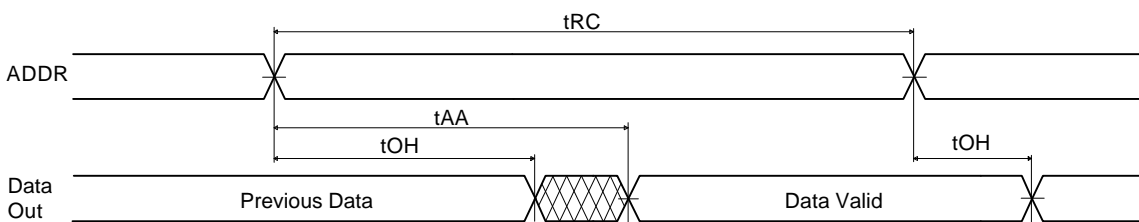
- 1. Including jig and scope capacitance

TIMING DIAGRAM

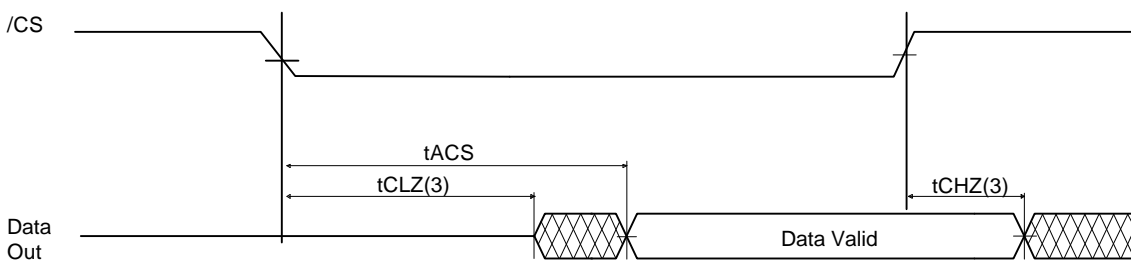
READ CYCLE 1 (Note 1,4)



READ CYCLE 2 (Note 1,2,4)



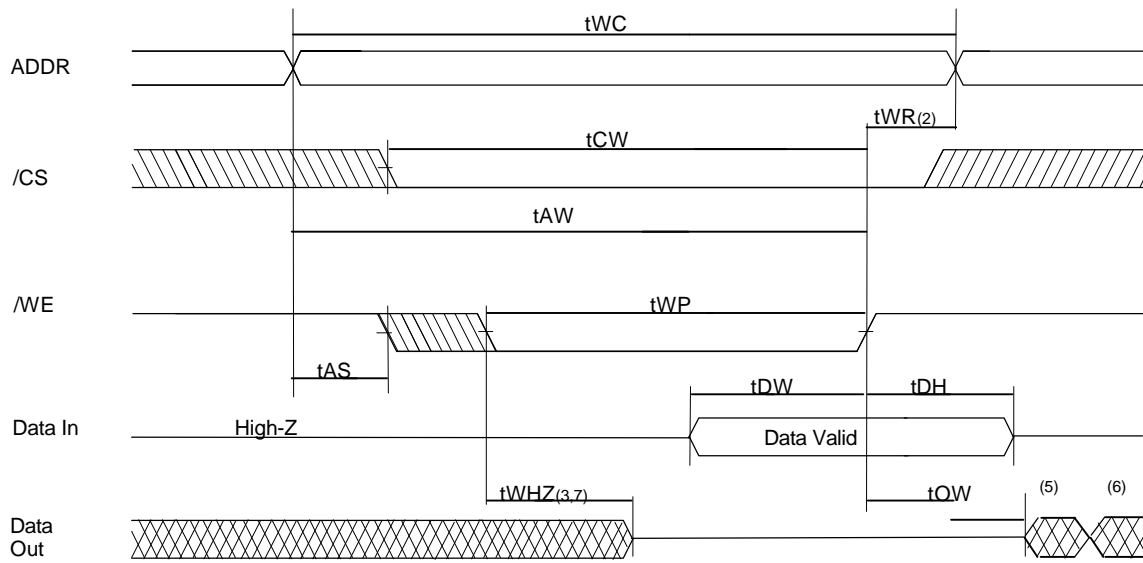
READ CYCLE 3 (Note 1,2,4)



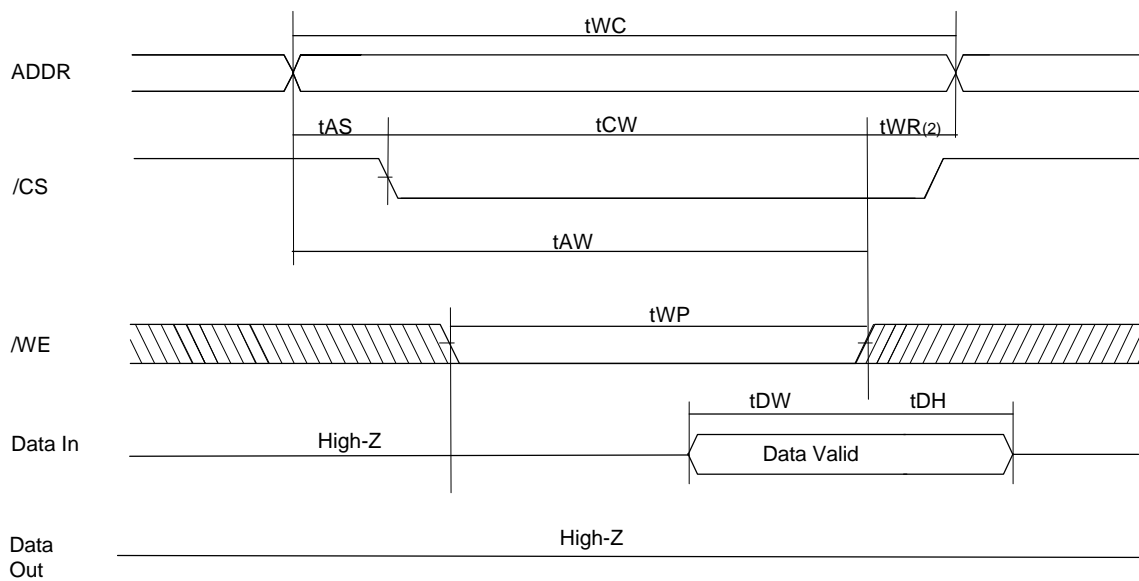
Notes:

1. A read occurs during the overlap of a low /OE, a high /WE and a low /CS.
2. /OE = V_{IL}
3. Transition is measured $\pm 200mV$ from steady state voltage.
This parameter is sampled and not 100% tested.
4. /CS in high for the standby, low for active

WRITE CYCLE 1(1,4,5,8) (/WE Controlled)



WRITE CYCLE 2 (Note 1,4,5,8) (/CS Controlled)



Notes:

1. A write occurs during the overlap of a low /WE and a low /CS.
2. tWR is measured from the earlier of /CS or /WE going high to the end of write cycle.
3. During this period, I/O pins are in the output state so that the input signals of opposite phase to the output must not be applied.
4. If the /CS low transition occur simultaneously with the /WE low transition or after the /WE transition, outputs remain in a high impedance state.
5. Q(data out) is the same phase with the write data of this write cycle.
6. Q(data out) is the read data of the next address.
7. Transition is measured + 200mV from steady state.
This parameter is sampled and not 100% tested.
8. /CS in high for the standby, low for active

DATA RETENTION ELECTRIC CHARACTERISTIC

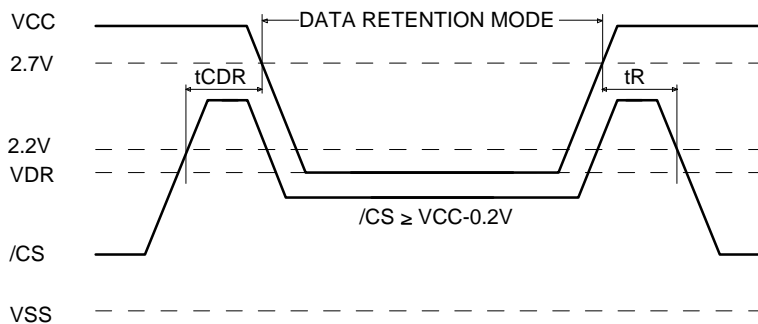
TA = 0; Ito 70; (Normal)/-25°C to 85°C (Extended) /-40°C to 85°C (Industrial), unless otherwise specified.

Symbol	Parameter	Test Condition	Min	Typ	Max	Unit	
VDR	Vcc for Data Retention	/CS ≥ Vcc-0.2V, VIN ≥ Vcc-0.2V or VIN ≤ 0.2V	2.0	-	-	V	
ICCDR	Data Retention Current	Vcc = 3.0V, /CS ≥ Vcc-0.2V, VIN ≥ Vcc-0.2V or VIN ≤ 0.2V	LL	-	-	20	uA
			LL-E	-	-	30	uA
			LL-I	-	-	30	uA
tCDR	Chip Deselect to Data Retention Time		0	-	-	ns	
tR	Operating Recovery Time		tRC(2)	-	-	ns	

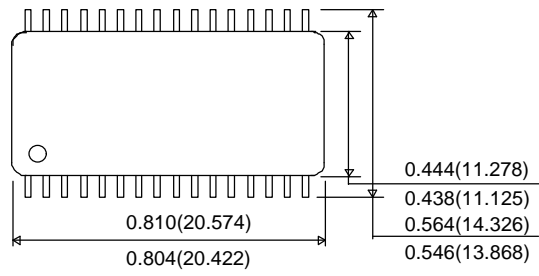
Notes:

1. Typical values are at the condition of TA = 25°C.
2. tRC is read cycle time.

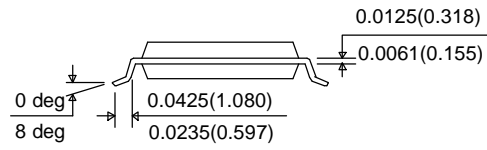
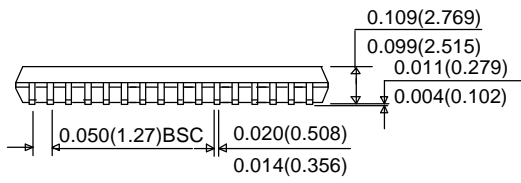
DATA RETENTION TIMING DIAGRAM



32pin 525mil Small Outline Package(G)



UNIT : INCH(mm)



MARKING INFORMATION

Package	Marking Example																																													
SOP	<div style="border: 1px solid black; padding: 5px; margin-bottom: 5px;"> <table style="width: 100%; border-collapse: collapse;"> <tr> <td style="border: 1px solid black; padding: 2px 5px;">h</td><td style="border: 1px solid black; padding: 2px 5px;">y</td><td style="border: 1px solid black; padding: 2px 5px;">n</td><td style="border: 1px solid black; padding: 2px 5px;">i</td><td style="border: 1px solid black; padding: 2px 5px;">x</td><td style="border: 1px solid black; padding: 2px 5px;"> </td><td style="border: 1px solid black; padding: 2px 5px;"> </td><td style="border: 1px solid black; padding: 2px 5px;"> </td><td style="border: 1px solid black; padding: 2px 5px;"> </td><td style="border: 1px solid black; padding: 2px 5px;"> </td><td style="border: 1px solid black; padding: 2px 5px;">K</td><td style="border: 1px solid black; padding: 2px 5px;">O</td><td style="border: 1px solid black; padding: 2px 5px;">R</td><td style="border: 1px solid black; padding: 2px 5px;">E</td><td style="border: 1px solid black; padding: 2px 5px;">A</td> </tr> </table> </div> <div style="border: 1px solid black; padding: 5px; margin-bottom: 5px;"> <table style="width: 100%; border-collapse: collapse;"> <tr> <td style="border: 1px solid black; padding: 2px 5px;">H</td><td style="border: 1px solid black; padding: 2px 5px;">Y</td><td style="border: 1px solid black; padding: 2px 5px;">6</td><td style="border: 1px solid black; padding: 2px 5px;">2</td><td style="border: 1px solid black; padding: 2px 5px;">U</td><td style="border: 1px solid black; padding: 2px 5px;">8</td><td style="border: 1px solid black; padding: 2px 5px;">4</td><td style="border: 1px solid black; padding: 2px 5px;">0</td><td style="border: 1px solid black; padding: 2px 5px;">0</td><td style="border: 1px solid black; padding: 2px 5px;">A</td><td style="border: 1px solid black; padding: 2px 5px;"> </td><td style="border: 1px solid black; padding: 2px 5px;"> </td><td style="border: 1px solid black; padding: 2px 5px;"> </td><td style="border: 1px solid black; padding: 2px 5px;"> </td> </tr> </table> </div> <div style="border: 1px solid black; padding: 5px;"> <table style="width: 100%; border-collapse: collapse;"> <tr> <td style="border: 1px solid black; padding: 2px 5px;">y</td><td style="border: 1px solid black; padding: 2px 5px;">y</td><td style="border: 1px solid black; padding: 2px 5px;">w</td><td style="border: 1px solid black; padding: 2px 5px;">w</td><td style="border: 1px solid black; padding: 2px 5px;">p</td><td style="border: 1px solid black; padding: 2px 5px;"> </td><td style="border: 1px solid black; padding: 2px 5px;"> </td><td style="border: 1px solid black; padding: 2px 5px;"> </td><td style="border: 1px solid black; padding: 2px 5px;">c</td><td style="border: 1px solid black; padding: 2px 5px;">c</td><td style="border: 1px solid black; padding: 2px 5px;">G</td><td style="border: 1px solid black; padding: 2px 5px;">-</td><td style="border: 1px solid black; padding: 2px 5px;">s</td><td style="border: 1px solid black; padding: 2px 5px;">s</td><td style="border: 1px solid black; padding: 2px 5px;">t</td> </tr> </table> </div>	h	y	n	i	x						K	O	R	E	A	H	Y	6	2	U	8	4	0	0	A					y	y	w	w	p				c	c	G	-	s	s	t	
h	y	n	i	x						K	O	R	E	A																																
H	Y	6	2	U	8	4	0	0	A																																					
y	y	w	w	p				c	c	G	-	s	s	t																																
TSOP-II	<div style="border: 1px solid black; padding: 5px; margin-bottom: 5px;"> <table style="width: 100%; border-collapse: collapse;"> <tr> <td style="border: 1px solid black; padding: 2px 5px;">h</td><td style="border: 1px solid black; padding: 2px 5px;">y</td><td style="border: 1px solid black; padding: 2px 5px;">n</td><td style="border: 1px solid black; padding: 2px 5px;">i</td><td style="border: 1px solid black; padding: 2px 5px;">x</td><td style="border: 1px solid black; padding: 2px 5px;"> </td><td style="border: 1px solid black; padding: 2px 5px;"> </td><td style="border: 1px solid black; padding: 2px 5px;"> </td><td style="border: 1px solid black; padding: 2px 5px;"> </td><td style="border: 1px solid black; padding: 2px 5px;"> </td><td style="border: 1px solid black; padding: 2px 5px;">K</td><td style="border: 1px solid black; padding: 2px 5px;">O</td><td style="border: 1px solid black; padding: 2px 5px;">R</td><td style="border: 1px solid black; padding: 2px 5px;">E</td><td style="border: 1px solid black; padding: 2px 5px;">A</td> </tr> </table> </div> <div style="border: 1px solid black; padding: 5px; margin-bottom: 5px;"> <table style="width: 100%; border-collapse: collapse;"> <tr> <td style="border: 1px solid black; padding: 2px 5px;">H</td><td style="border: 1px solid black; padding: 2px 5px;">Y</td><td style="border: 1px solid black; padding: 2px 5px;">6</td><td style="border: 1px solid black; padding: 2px 5px;">2</td><td style="border: 1px solid black; padding: 2px 5px;">U</td><td style="border: 1px solid black; padding: 2px 5px;">8</td><td style="border: 1px solid black; padding: 2px 5px;">4</td><td style="border: 1px solid black; padding: 2px 5px;">0</td><td style="border: 1px solid black; padding: 2px 5px;">0</td><td style="border: 1px solid black; padding: 2px 5px;">A</td><td style="border: 1px solid black; padding: 2px 5px;"> </td><td style="border: 1px solid black; padding: 2px 5px;"> </td><td style="border: 1px solid black; padding: 2px 5px;"> </td><td style="border: 1px solid black; padding: 2px 5px;"> </td> </tr> </table> </div> <div style="border: 1px solid black; padding: 5px;"> <table style="width: 100%; border-collapse: collapse;"> <tr> <td style="border: 1px solid black; padding: 2px 5px;">y</td><td style="border: 1px solid black; padding: 2px 5px;">y</td><td style="border: 1px solid black; padding: 2px 5px;">w</td><td style="border: 1px solid black; padding: 2px 5px;">w</td><td style="border: 1px solid black; padding: 2px 5px;">p</td><td style="border: 1px solid black; padding: 2px 5px;"> </td><td style="border: 1px solid black; padding: 2px 5px;"> </td><td style="border: 1px solid black; padding: 2px 5px;"> </td><td style="border: 1px solid black; padding: 2px 5px;">c</td><td style="border: 1px solid black; padding: 2px 5px;">c</td><td style="border: 1px solid black; padding: 2px 5px;">T</td><td style="border: 1px solid black; padding: 2px 5px;">2</td><td style="border: 1px solid black; padding: 2px 5px;">-</td><td style="border: 1px solid black; padding: 2px 5px;">s</td><td style="border: 1px solid black; padding: 2px 5px;">s</td><td style="border: 1px solid black; padding: 2px 5px;">t</td> </tr> </table> </div>	h	y	n	i	x						K	O	R	E	A	H	Y	6	2	U	8	4	0	0	A					y	y	w	w	p				c	c	T	2	-	s	s	t
h	y	n	i	x						K	O	R	E	A																																
H	Y	6	2	U	8	4	0	0	A																																					
y	y	w	w	p				c	c	T	2	-	s	s	t																															

Index	
<ul style="list-style-type: none"> • hynix • KOREA • HY62U8400A • yy • ww • p • cc 	<ul style="list-style-type: none"> : hynix Logo : Origin Country : Part Name : Year (ex : 00 = year 2000, 01 = year 2001) : Work Week (ex : 12 = ww12) : Process Code : Power Consumption
<ul style="list-style-type: none"> - L - LL 	<ul style="list-style-type: none"> : Low Power : Low Low Power
<ul style="list-style-type: none"> • G / T2 	<ul style="list-style-type: none"> : Package Type - G : SOP - T2 : TSOP-II
<ul style="list-style-type: none"> • ss 	<ul style="list-style-type: none"> : Speed - 85 : 85ns - 10 : 100ns
<ul style="list-style-type: none"> • t 	<ul style="list-style-type: none"> : Temperature - Blank : Commercial (0 ~ 70 °C) - E : Extended (-25 ~ 85 °C) - I : Industrial (-40 ~ 85 °C)
<p>Note</p> <ul style="list-style-type: none"> - Capital Letter - Small Letter 	<ul style="list-style-type: none"> : Fixed Item : Non-fixed Item (Except hynix)