

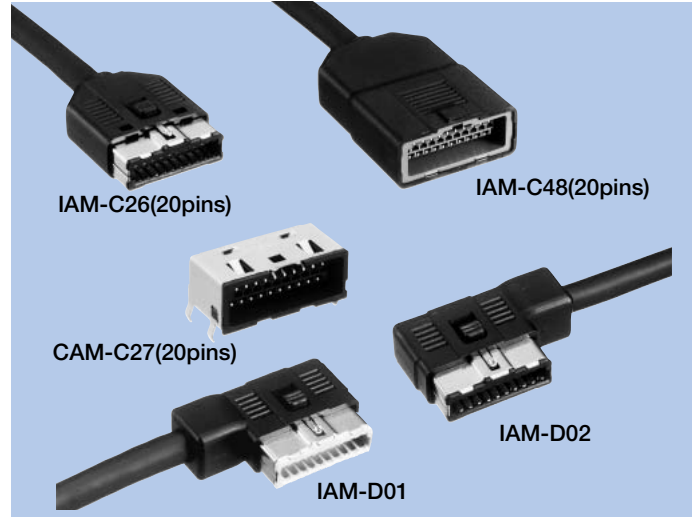
Rectangular Connectors

IAM-C26 · D01 · D02 · C48, CAM-C27 · C68

Connectors

OUTLINE

1. IAM-C26 is a cable assembly type 20 pins external interface connector with a straight plug. IAM-D01 and D02 are cable assembly type L plugs (D01 : right out ; D02 : left out). IAM-C48 is a junction socket. There are two types of sockets: CAM-C27, the angle dip type, and CAM-C68, the angle SMT type.
2. The coupling/decoupling cycle life is 10,000 times and a one-touch mechanism is used. The unit is also thin and the area occupied by the circuit board is small.
Occupation ratio : Approx. 63% (MITSUMI comparison).



HOW TO ORDER

1. IAM-C26

C26-020-2420

1 2 3 4

- 1 Series No.
- 2 No. of contacts (020 : 20pins)
- 3 Product Specifications
- 4 Housing Color (A : Black, B : Sky blue, C : Green)

2. IAM-D01

D01-020-2063

1 2 3 4

- 1 Series No.
- 2 No. of contacts (020 : 20pins)
- 3 Running No. assigned by us
- 4 Housing Color (A : Black, B : Sky blue, C : Green)

3. IAM-D02

D02-020-2022

1 2 3 4

- 1 Series No.
- 2 No. of contacts (020 : 20pins)
- 3 Running No. assigned by us
- 4 Housing Color (A : Black, B : Sky blue, C : Green)

4. IAM-C48

C48-020-2541A

1 2 3

- 1 Series No.
- 2 No. of contacts (020 : 20pins)
- 3 Running No. assigned by us

*The connector shape and color are Type E (color : gray) and connects with all IAM-C26, D01, D02.

5. CAM-C27

C27-020-020-BGBAA □
 1 2 3

- 1 Series No.
- 2 No. of contacts (020 : 20pins)
- 3 Connector style (A : Black, B : Sky blue, C : Green)

6. CAM-C68

C68-020-050-BGBAA □
 1 2 3

- 1 Series No.
- 2 No. of contacts (020 : 20pins)
- 3 Connector style (A : Black, B : Sky blue, C : Green)

SPECIFICATIONS

ELECTRICAL CHARACTERISTICS

Rated Voltage	14V DC
Rated Current	1A
Withstanding Voltage	AC 500V (rms) 1minute
Insulation Resistance	100MΩ min. (at 500V DC)
Contact Resistance	100mΩ max.

MECHANICAL CHARACTERISTICS

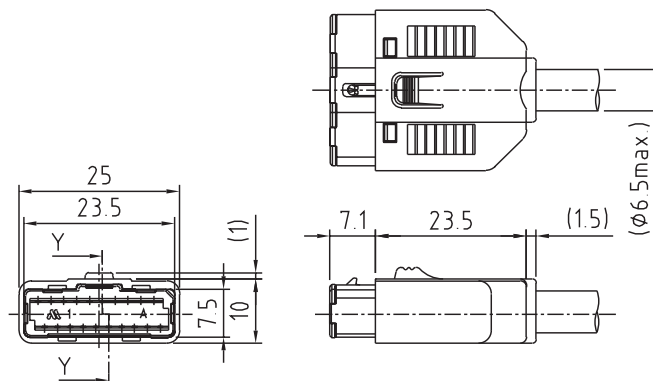
Life (Matching Cycle)	10,000 times
Total Insertion Force	29.4N (3kgf) min.
Total Withdrawal Force	1.96~29.4N (0.2~3kgf)
Using Temperature Range	-30~+85°C

MATERIAL & FINISH

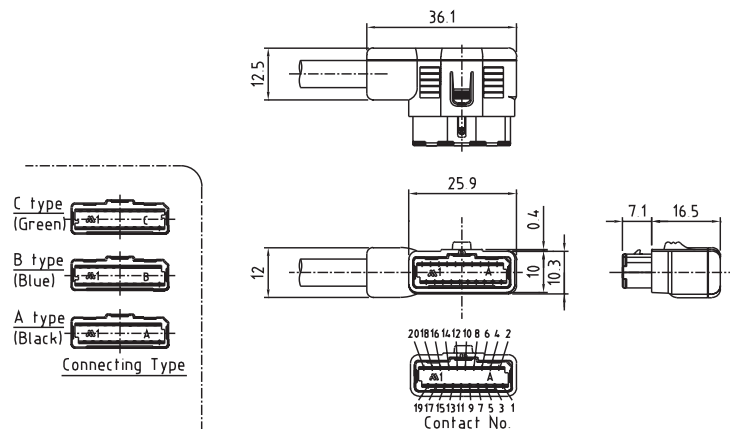
Component Parts		Material	Finish
IAM-C26• D01•D02	Housing	PBT resin	—
	Contact	Copper Alloy	Gold plating
	Shielded Case	Steel	Nickel plating
	Case	PBT resin	—
	Locks	Copper Alloy	Nickel plating
	Cord Clamper	Aluminum	—
CAM-C48	Housing	PBT resin	—
	Contact	Copper Alloy	Gold plating
	Rely Contact	Copper Alloy	Tin reflow plating
	Shielded Case	Copper Alloy · Steel	Tin reflow plating · Nickel plating
	Case	PBT resin	—
	Cord Clamper	Aluminum	—
CAM-C27	Housing	PBT resin	—
	Contact	Copper Alloy	Gold plating
	Shielded Case	Copper Alloy	Tin reflow plating
CAM-C68	Housing	46 Nylon resin	—
	Contact	Copper Alloy	Gold plating
	Shielded Case	Copper Alloy	Tin reflow plating

DIMENSIONS

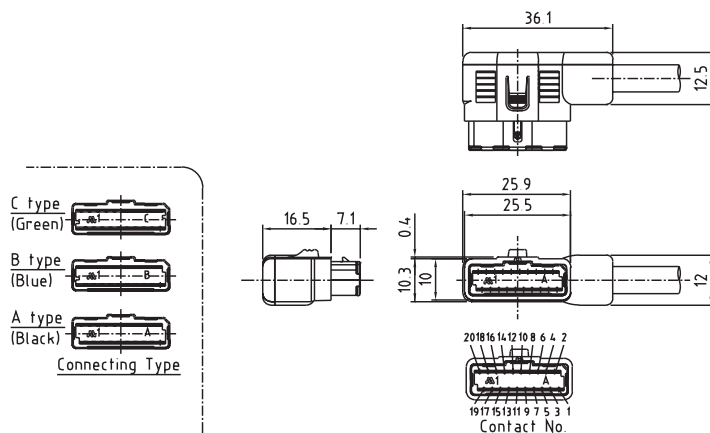
IAM-C26 (20pins)



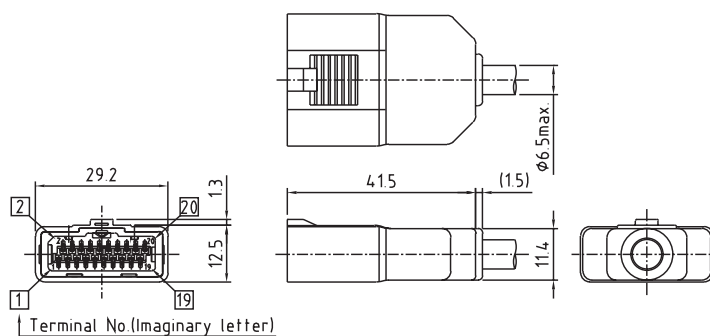
IAM-D01



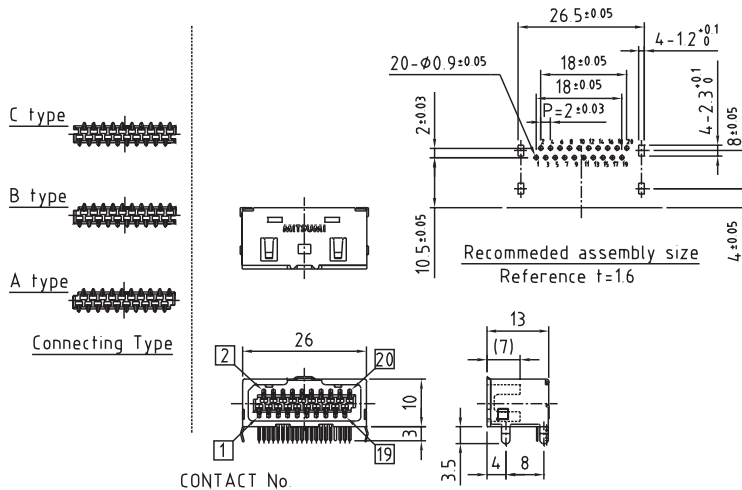
IAM-D02



IAM-C48 (20pins)



CAM-C27 (20pins)



CAM-C68

