




Description

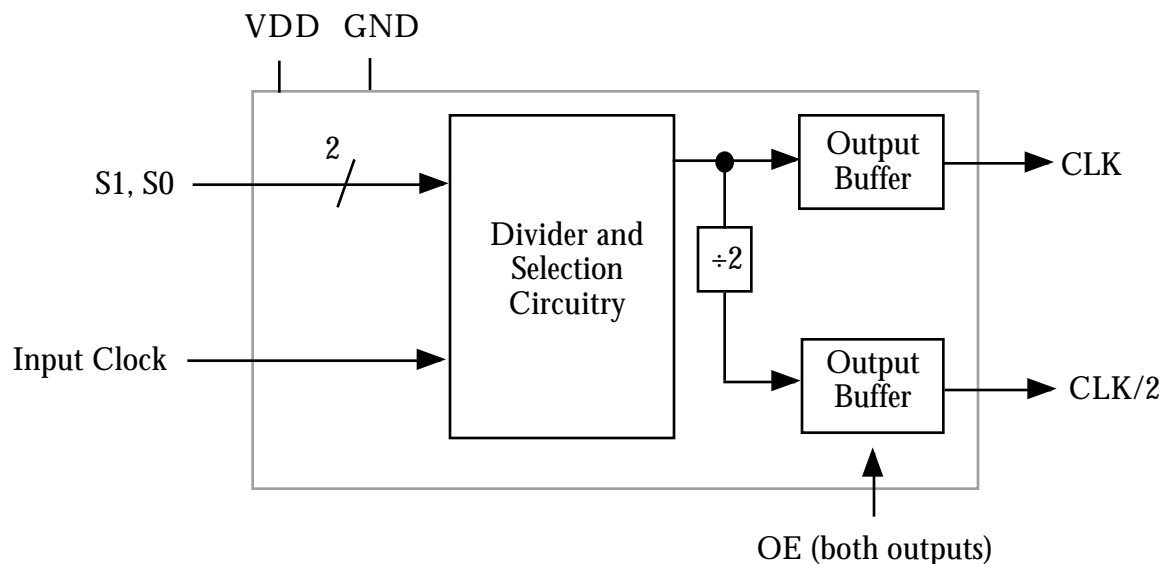
The ICS542 is a cost effective way to produce a high quality clock output divided from a clock input. The chip accepts a clock input up to 156 MHz, and produces a divide by 2, 4, 6, 8, 12, or 16 of the input clock. There are two outputs on the chip, one being a low-skew divide by two of the other. So, for instance, if a 100 MHz clock is used, the ICS542 can produce low skew 50 MHz and 25 MHz clocks, or low skew 25 MHz and 12.5 MHz clocks. The chip has an all-chip power down mode that stops the outputs low, and an OE pin that tri-states the outputs.

The ICS542 is a member of the ICS ClockBlocks™ family of clock building blocks. See the ICS541 and ICS543 for other clock dividers, and the ICS501, 502, 511, 512 and 525 for clock multipliers.

Features

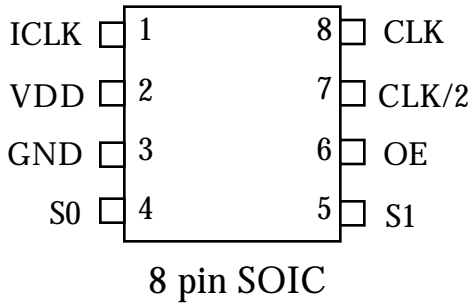
- Packaged as 8 pin SOIC 
- ICS' lowest cost clock divider
- Low skew (500ps) outputs. One is $\div 2$ of other.
- Easy to use with other generators and buffers
- Input clock frequency up to 156 MHz
- Output clock duty cycle of 45/55
- Power Down turns off chip
- Output Enable
- Advanced, low power CMOS process
- Operating voltages of 3.0 to 5.5 V

Block Diagram





Pin Assignment



Clock Decoding Table

S1	S0	CLK	CLK/2
0	0	Power Down All	
0	1	Input/6	Input/12
1	0	Input/8	Input/16
1	1	Input/2	Input/4

0 = connect directly to ground.
1 = connect directly to VDD.

Pin Descriptions

Number	Name	Type	Description
1	ICLK	CI	Clock input.
2	VDD	P	Connect to +3.3V or +5V.
3	GND	P	Connect to ground.
4	S0	I	Select 0 for output clock. Connect to GND or VDD. Internal pull-up.
5	S1	I	Select 1 for output clock. Connect to GND or VDD. Internal pull-up.
6	OE	I	Output Enable. Tri-states both output clocks when low. Internal pull-up.
7	CLK/2	O	Clock output per Table above. Low skew divide by two of pin 8 clock.
8	CLK	O	Clock output per Table above.

Key: CI = clock input, I = input, O = output, P = power supply connection

External Components

The ICS542 requires a 0.01 μ F decoupling capacitor to be connected between VDD and GND. It must be connected close to the ICS542 to minimize lead inductance. No external power supply filtering is required for this device. A 33 Ω series terminating resistor can be used next to each output pin. If a 3.3 V input clock is applied to the ICLK pin, with the ICS542 at 5 V, the clock must be AC coupled.



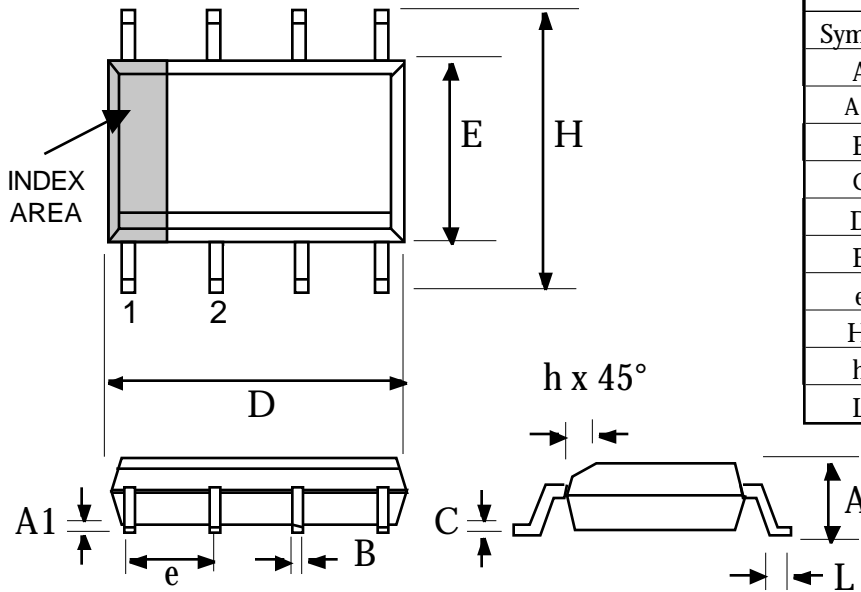
Electrical Specifications

Parameter	Conditions	Minimum	Typical	Maximum	Units
ABSOLUTE MAXIMUM RATINGS (stresses beyond these can permanently damage the device)					
Supply Voltage, VDD	Referenced to GND			7	V
Inputs	Referenced to GND	-0.5		VDD+0.5	V
Clock Output	Referenced to GND	-0.5		VDD+0.5	V
Ambient Operating Temperature		0		70	C
Soldering Temperature	Max of 10 seconds			260	C
Storage temperature		-65		150	C
DC CHARACTERISTICS (VDD = 3.3V unless otherwise noted)					
Operating Voltage, VDD		3		5.5	V
Input High Voltage, VIH, ICLK only	ICLK (Pin 1)	(VDD/2)+1	VDD/2		V
Input Low Voltage, VIL, ICLK only	ICLK (Pin 1)		VDD/2	(VDD/2)-1	V
Input High Voltage, VIH	S0, S1, OE	2			V
Input Low Voltage, VIL	S0, S1, OE			0.8	V
Output High Voltage, VOH, CMOS levels	IOH=-4mA	VDD-0.4			V
Output High Voltage, VOH	IOH=-12mA	2.4			V
Output Low Voltage, VOL	IOL=4mA			0.4	V
IDD Operating Supply Current, 100 MHz input	No Load, 5.0V, 11 sel		11		mA
IDD Operating Supply Current, 100 MHz input	No Load, 3.3V, 11 sel		7		mA
Short Circuit Current	Each Output		±40		mA
Input Capacitance, S1, S0, OE	Pins 4, 5, 6		4		pF
AC CHARACTERISTICS (VDD = 3.3V unless otherwise noted)					
Input Frequency, clock input	at VDD = 5V	0		156	MHz
Input Frequency, clock input	at VDD = 3.3V	0		156	MHz
Skew of output clocks	rising edges at VDD/2			500	ps
Output Clock Rise Time	0.8 to 2.0V		1		ns
Output Clock Fall Time	2.0 to 0.8V		1		ns
Output Clock Duty Cycle	at VDD/2	45	49 to 51	55	%



Package Outline and Package Dimensions

8 pin SOIC



Symbol	Inches		Millimeters	
	Min	Max	Min	Max
A	0.0532	0.0688	1.35	1.75
A1	0.0040	0.0098	0.10	0.24
B	0.0130	0.0200	0.33	0.51
C	0.0075	0.0098	0.19	0.24
D	0.1890	0.1968	4.80	5.00
E	0.1497	0.1574	3.80	4.00
e	.050 BSC		1.27 BSC	
H	0.2284	0.2440	5.80	6.20
h	0.0099	0.0195	0.25	0.50
L	0.0160	0.0500	0.41	1.27

Ordering Information

Part/Order Number	Marking	Package	Temperature
ICS542M	ICS542M	8 pin SOIC	0 to 70 °C
ICS542MT	ICS542M	8 pin SOIC on tape and reel	0 to 70 °C

While the information presented herein has been checked for both accuracy and reliability, ICS/MicroClock assumes no responsibility for either its use or for the infringement of any patents or other rights of third parties, which would result from its use. No other circuits, patents, or licenses are implied. This product is intended for use in normal commercial applications. Any other applications such as those requiring extended temperature range, high reliability, or other extraordinary environmental requirements are not recommended without additional processing by ICS/MicroClock. ICS/MicroClock reserves the right to change any circuitry or specifications without notice. ICS/MicroClock does not authorize or warrant any ICS/MicroClock product for use in life support devices or critical medical instruments.

ClockBlocks is a trademark of ICS