



3.3V CMOS OCTAL POSITIVE EDGE-TRIGGERED D-TYPE FLIP-FLOP WITH 3-STATE OUTPUTS AND BUS-HOLD

IDT74ALVCH374 ADVANCE INFORMATION

FEATURES:

- 0.5 MICRON CMOS Technology
- Typical $t_{sk(o)}$ (Output Skew) < 250ps
- ESD > 2000V per MIL-STD-883, Method 3015;
> 200V using machine model (C = 200pF, R = 0)
- 1.27mm pitch SOIC, 0.65mm pitch SSOP,
0.635mm pitch QSOP, 0.65mm TSSOP packages
- Extended commercial range of -40°C to +85°C
- $V_{cc} = 3.3V \pm 0.3V$, Normal Range
- $V_{cc} = 2.7V$ to $3.6V$, Extended Range
- $V_{cc} = 2.5V \pm 0.2V$
- CMOS power levels (0.4μW typ. static)
- Rail-to-Rail output swing for increased noise margin

Drive Features for ALVCH374:

- High Output Drivers: $\pm 24mA$
- Suitable for heavy loads

APPLICATIONS:

- 3.3V High Speed Systems
- 3.3V and lower voltage computing systems

DESCRIPTION:

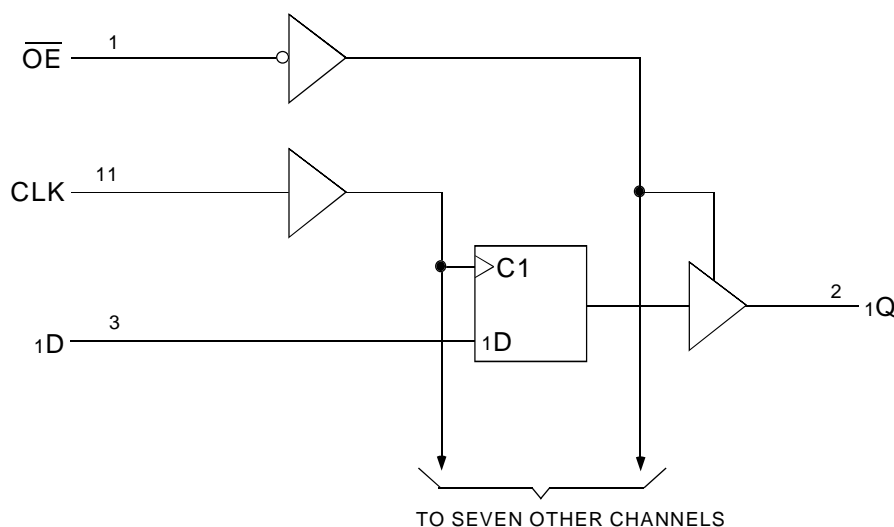
This octal positive edge-triggered D-type flip-flop is built using advanced dual metal CMOS technology. The ALVCH374 device is particularly suitable for implementing buffer registers, I/O ports, bidirectional bus drivers, and working registers. On the positive transition of the clock (CLK) input, the Q outputs are set to the logic levels at the data (D) inputs.

A buffered output-enable (\overline{OE}) input can be used to place the eight outputs in either a normal logic state (high or low logic levels) or a high-impedance state. In the high-impedance state, the outputs neither load nor drive the bus lines significantly. The high-impedance state and increased drive provide the capability to drive bus lines without interface or pull-up components. \overline{OE} does not affect internal operations of the latch. Old data can be retained or new data can be entered while the outputs are in the high-impedance state.

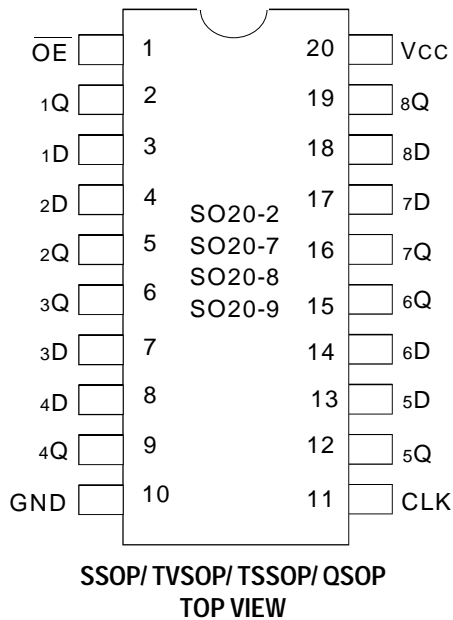
The ALVCH374 has been designed with a $\pm 24mA$ output driver. This driver is capable of driving a moderate to heavy load while maintaining speed performance.

The ALVCH374 has a "bus-hold" which retains the inputs' last state whenever the input bus goes to a high impedance. This prevents floating inputs and eliminates the need for pull-up/down resistors.

Functional Block Diagram



PIN CONFIGURATION



PIN DESCRIPTION

Pin Names	Description
\overline{OE}	3-State Output Enable Input (Active LOW)
CLK	Clock Input
xD	Data Inputs ⁽¹⁾
xQ	3-State Outputs

NOTE :

1. These pins have "Bus-hold". All other pins are standard inputs, outputs, or I/Os.

ABSOLUTE MAXIMUM RATING⁽¹⁾

Symbol	Description	Max.	Unit
$V_{TERM}^{(2)}$	Terminal Voltage with Respect to GND	- 0.5 to + 4.6	V
$V_{TERM}^{(3)}$	Terminal Voltage with Respect to GND	-0.5 to $V_{CC} + 0.5$	V
TSTG	Storage Temperature	- 65 to + 150	°C
I _{OUT}	DC Output Current	- 50 to + 50	mA
I _{IK}	Continuous Clamp Current, $V_i < 0$ or $V_i > V_{CC}$	± 50	mA
I _{OK}	Continuous Clamp Current, $V_o < 0$	- 50	mA
I _{CC}	Continuous Current through each V_{CC} or GND	± 100	mA

ALVC Link

NOTES:

1. Stresses greater than those listed under ABSOLUTE MAXIMUM RATINGS may cause permanent damage to the device. This is a stress rating only and functional operation of the device at these or any other conditions above those indicated in the operational sections of this specification is not implied. Exposure to absolute maximum rating conditions for extended periods may affect reliability.
2. V_{CC} terminals.
3. All terminals except V_{CC} .

CAPACITANCE ($T_A = +25^\circ C, f = 1.0MHz$)

Symbol	Parameter ⁽¹⁾	Conditions	Typ.	Max.	Unit
C _{IN}	Input Capacitance	$V_{IN} = 0V$	5	7	pF
C _{OUT}	Output Capacitance	$V_{OUT} = 0V$	7	9	pF
C _{I/O}	I/O Port Capacitance	$V_{IN} = 0V$	7	9	pF

ALVC Link

NOTE:

1. As applicable to the device type.

FUNCTION TABLE (each flip=flop) ⁽¹⁾

Inputs			Output
\overline{OE}	CLK	xD	xQ
L	↑	H	H
L	↑	L	L
L	H or L	X	Q_0
H	X	X	Z

NOTE :

1. H = HIGH Voltage Level
L = LOW Voltage Level
X = Don't Care
Z = High-Impedance
↑ = LOW-to-HIGH Transition
 Q_0 = Level of Q before the indicated steady-state input conditions were established.

DC ELECTRICAL CHARACTERISTICS OVER OPERATING RANGE

Following Conditions Apply Unless Otherwise Specified:

Operating Condition: $T_A = -40^{\circ}\text{C}$ to $+85^{\circ}\text{C}$

Symbol	Parameter	Test Conditions		Min.	Typ. ⁽¹⁾	Max.	Unit
V _{IH}	Input HIGH Voltage Level	V _{CC} = 2.3V to 2.7V		1.7	—	—	V
		V _{CC} = 2.7V to 3.6V		2	—	—	
V _{IL}	Input LOW Voltage Level	V _{CC} = 2.3V to 2.7 V		—	—	0.7	V
		V _{CC} = 2.7V to 3.6V		—	—	0.8	
I _{IH}	Input HIGH Current	V _{CC} = 3.6V	V _I = V _{CC}	—	—	± 5	μA
I _{IL}	Input LOW Current	V _{CC} = 3.6V	V _I = GND	—	—	± 5	
I _{OZH}	High Impedance Output Current (3-State Output pins)	V _{CC} = 3.6V	V _O = V _{CC}	—	—	± 10	μA
I _{OZL}			V _O = GND	—	—	± 10	μA
V _{IK}	Clamp Diode Voltage	V _{CC} = 2.3V, I _{IN} = -18mA		—	- 0.7	- 1.2	V
V _H	Input Hysteresis	V _{CC} = 3.3V		—	100	—	mV
I _{CC1}	Quiescent Power Supply Current	V _{CC} = 3.6V		—	0.1	10	μA
I _{CC2}		V _{IN} = GND or V _{CC}					
I _{CC3}							
ΔI _{CC}	Quiescent Power Supply Current Variation	One input at V _{CC} - 0.6V, other inputs at V _{CC} or GND		—	—	750	μA

NOTE:

- Typical values are at V_{CC} = 3.3V, +25°C ambient.

ALVC Link

BUS-HOLD CHARACTERISTICS

Symbol	Parameter ⁽¹⁾	Test Conditions		Min.	Typ. ⁽²⁾	Max.	Unit
I _{BHH}	Bus-Hold Input Sustain Current	V _{CC} = 3.0V	V _I = 2.0V	- 75	—	—	μA
			V _I = 0.8V	75	—	—	
I _{BHL}	Bus-Hold Input Sustain Current	V _{CC} = 2.3V	V _I = 1.7V	- 45	—	—	μA
			V _I = 0.7V	45	—	—	
I _{BHHO}	Bus-Hold Input Overdrive Current	V _{CC} = 3.6V	V _I = 0 to 3.6V	—	—	± 500	μA
I _{BHLO}							

NOTES:

- Pins with Bus-hold are identified in the pin description.
- Typical values are at V_{CC} = 3.3V, +25°C ambient.

ALVC Link

OUTPUT DRIVE CHARACTERISTICS

Symbol	Parameter	Test Conditions ⁽¹⁾		Min.	Max.	Unit
VOH	Output HIGH Voltage	V _{CC} = 2.3V to 3.6V	I _{OH} = -0.1mA	V _{CC} - 0.2	—	V
		V _{CC} = 2.3V	I _{OH} = -6mA	2	—	
		V _{CC} = 2.3V	I _{OH} = -12mA	1.7	—	
		V _{CC} = 2.7V		2.2	—	
		V _{CC} = 3.0V		2.4	—	
		V _{CC} = 3.0V	I _{OH} = -24mA	2	—	
VOL	Output LOW Voltage	V _{CC} = 2.3V to 3.6V	I _{OL} = 0.1mA	—	0.2	V
		V _{CC} = 2.3V	I _{OL} = 6mA	—	0.4	
			I _{OL} = 12mA	—	0.7	
		V _{CC} = 2.7V	I _{OL} = 12mA	—	0.4	
		V _{CC} = 3.0V	I _{OL} = 24mA	—	0.55	

NOTE:

ALVC Link

- V_{IH} and V_{IL} must be within the min. or max. range shown in the DC ELECTRICAL CHARACTERISTICS OVER OPERATING RANGE table for the appropriate V_{CC} range. T_A = -40°C to +85°C.

OPERATING CHARACTERISTICS, T_A = 25°C

Symbol	Parameter	Test Conditions	V _{CC} = 2.5V ± 0.2V	V _{CC} = 3.3V ± 0.3V	Unit
			Typical	Typical	
CPD	Power Dissipation Capacitance Outputs enabled	C _L = 0pF, f = 10MHz			pF
CPD	Power Dissipation Capacitance Outputs disabled				pF

SWITCHING CHARACTERISTICS⁽¹⁾

Symbol	Parameter	V _{CC} = 2.5V ± 0.2V		V _{CC} = 2.7V		V _{CC} = 3.3V ± 0.3V		Unit
		Min.	Max.	Min.	Max.	Min.	Max.	
t _{PLH} t _{PHL}	Propagation Delay CLK to xQ	—	8	—	7	2.2	6	ns
t _{PZH} t _{PZL}	Output Enable Time \overline{OE} to xQ	—	8.5	—	7.5	1.5	6.5	ns
t _{PHZ} t _{PLZ}	Output Disable Time \overline{OE} to xQ	—	9.5	—	6.5	1.5	5.5	ns
t _w	Pulse Duration, CLK HIGH or LOW	3.3	—	3.3	—	3.3	—	ns
t _{SU}	Setup Time, data before CLK↑	2	—	2	—	2	—	ns
t _H	Hold Time, data after CLK↑	1.5	—	1.5	—	1.5	—	ns
t _{sk(o)}	Output Skew ⁽²⁾	—	—	—	—	—	500	ps

NOTES:

- See test circuits and waveforms. T_A = -40°C to +85°C.
- Skew between any two outputs of the same package and switching in the same direction.

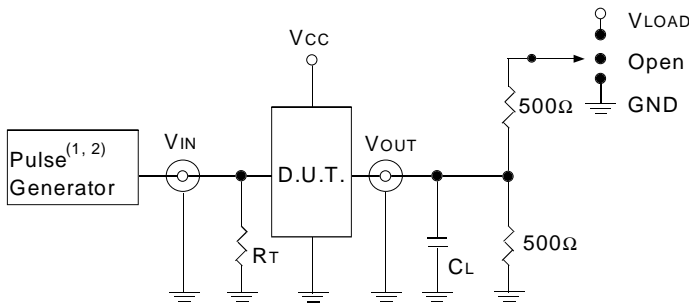
TEST CIRCUITS AND WAVEFORMS

TEST CONDITIONS

Symbol	V _{CC} (1) = 3.3V ± 0.3V	V _{CC} (1) = 2.7V	V _{CC} (2) = 2.5V ± 0.2V	Unit
V _{LOAD}	6	6	2 x V _{CC}	V
V _{IH}	2.7	2.7	V _{CC}	V
V _T	1.5	1.5	V _{CC} / 2	V
V _{LZ}	300	300	150	mV
V _{HZ}	300	300	150	mV
C _L	50	50	30	pF

ALVC Link

TEST CIRCUITS FOR ALL OUTPUTS



ALVC Link

DEFINITIONS:

C_L = Load capacitance: includes jig and probe capacitance.
R_T = Termination resistance: should be equal to Z_{OUT} of the Pulse Generator.

NOTES:

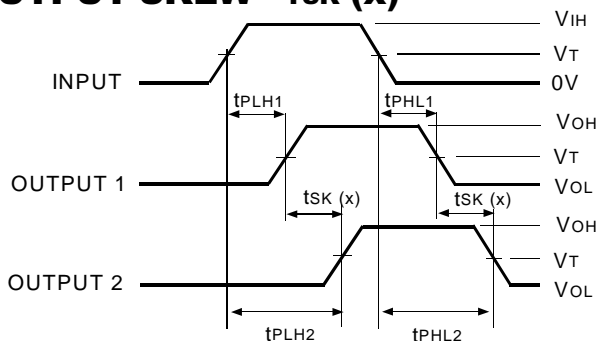
1. Pulse Generator for All Pulses: Rate ≤ 10MHz; t_r ≤ 2.5ns; t_r ≤ 2.5ns.
2. Pulse Generator for All Pulses: Rate ≤ 10MHz; t_r ≤ 2ns; t_r ≤ 2ns.

SWITCH POSITION

Test	Switch
Open Drain Disable Low Enable Low	V _{LOAD}
Disable High Enable High	GND
All Other tests	Open

ALVC Link

OUTPUT SKEW - t_{SK}(x)



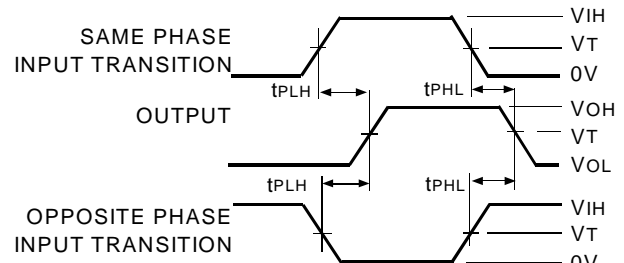
$$t_{SK}(x) = |t_{PLH2} - t_{PLH1}| \text{ or } |t_{PHL2} - t_{PHL1}|$$

ALVC Link

NOTES:

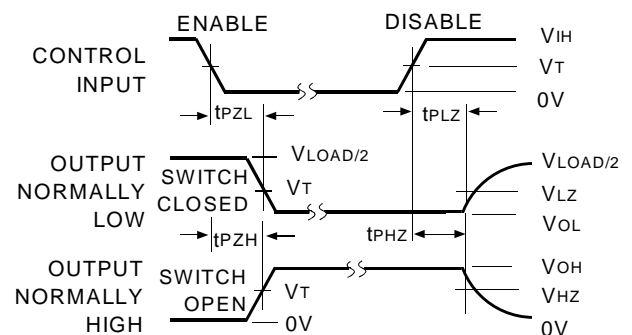
1. For t_{SK}(o) OUTPUT1 and OUTPUT2 are any two outputs.
2. For t_{SK}(b) OUTPUT1 and OUTPUT2 are in the same bank.

PROPAGATION DELAY



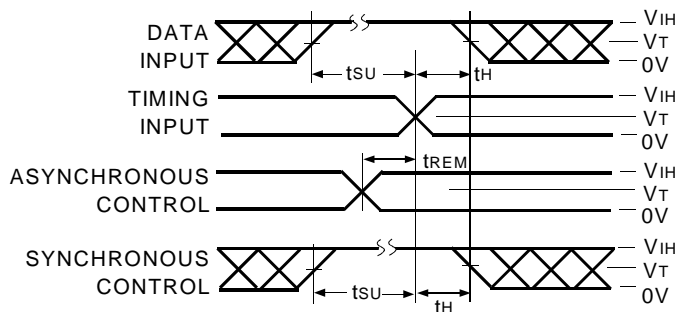
ALVC Link

ENABLE AND DISABLE TIMES



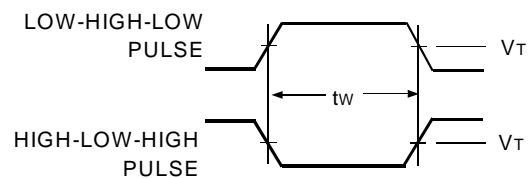
ALVC Link

SET-UP, HOLD, AND RELEASE TIMES



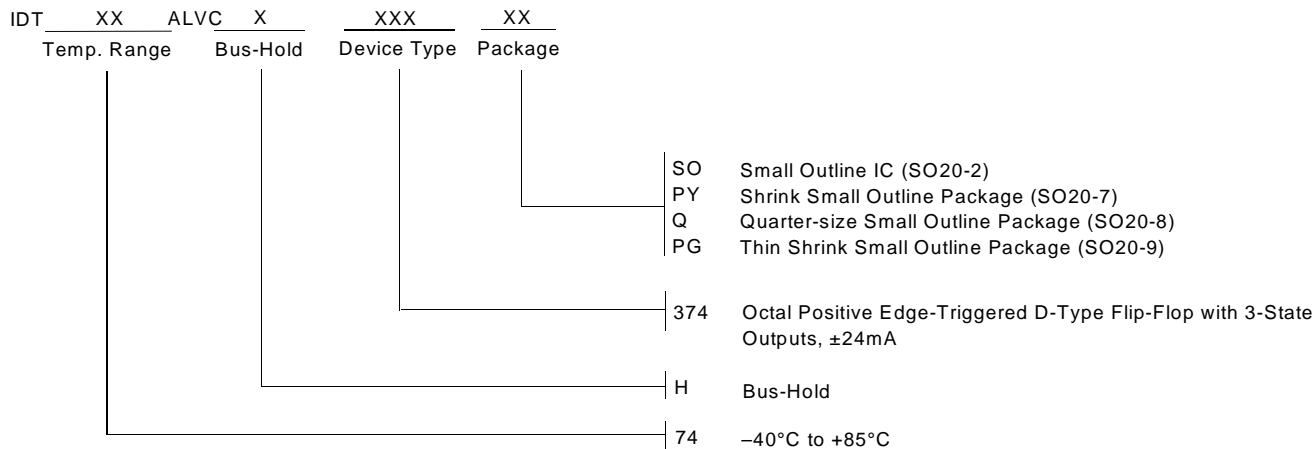
ALVC Link

PULSE WIDTH



ALVC Link

ORDERING INFORMATION



CORPORATE HEADQUARTERS
2975 Stender Way
Santa Clara, CA 95054

for SALES:
800-345-7015 or 408-727-6116
fax: 408-492-8674
www.idt.com*

**To search for sales office near you, please click the sales button found on our home page or dial the 800# above and press 2.
The IDT logo is a registered trademark of Integrated Device Technology, Inc.*