



Integrated Device Technology, Inc.

# FAST CMOS 1-TO-10 CLOCK DRIVER

IDT54/74FCT807BT/CT

## FEATURES:

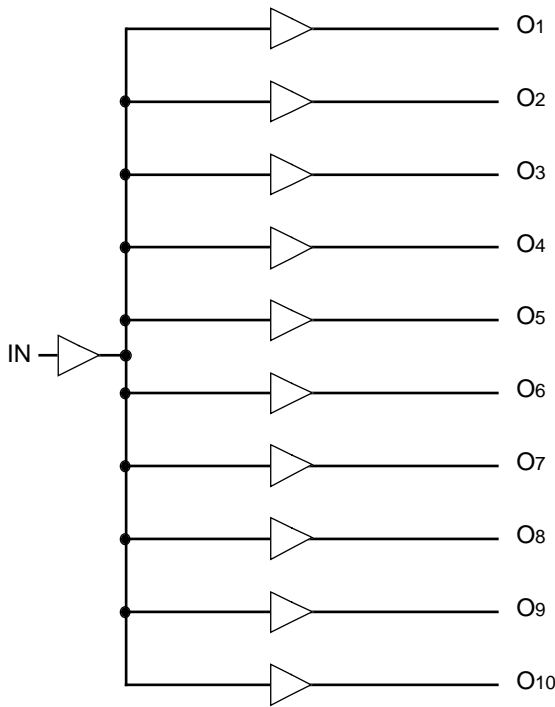
- 0.5 MICRON CMOS Technology
- Guaranteed low skew < 250ps (max.)
- Very low duty cycle distortion < 350ps (max.)
- High speed: propagation delay < 2.5ns (max.)
- 100MHz operation
- TTL compatible inputs and outputs
- TTL level output voltage swings
- 1:10 fanout
- Output rise and fall time < 1.5ns (max.)
- Low input capacitance: 4.5pF typical
- High Drive: -32mA IOH, 48mA IOL
- ESD > 2000V per MIL STD-883, Method 3015;

- > 200V using machine model (C = 200pF, R = 0)
- Available in DIP, SOIC, SSOP, QSOP, Cerpack and LCC packages
- Military product compliant to MIL-STD-883, Class B

## DESCRIPTION:

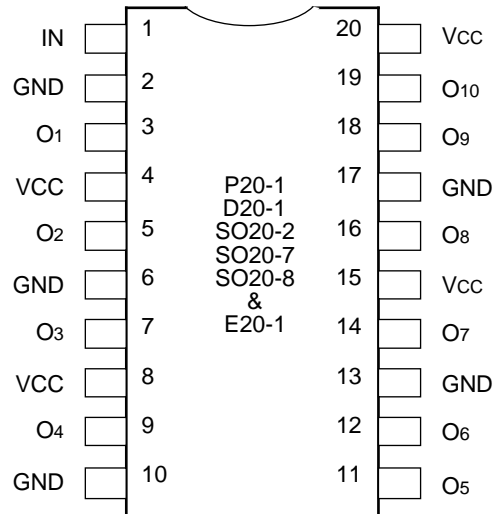
The IDT54/74FCT807BT/CT clock driver is built using advanced dual metal CMOS technology. This low skew clock driver features 1:10 fanout, providing minimal loading on the preceding drivers. The IDT54/74FCT807BT/CT offers low capacitance inputs with hysteresis for improved noise margins. TTL level outputs and multiple power and grounds reduce noise. The device also features -32/48mA drive capability for driving low impedance traces.

## FUNCTIONAL BLOCK DIAGRAM



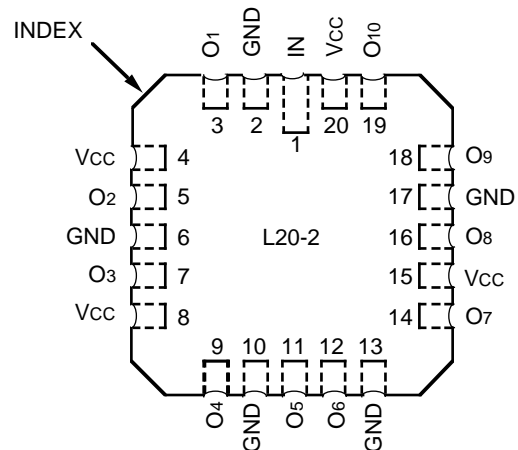
3017 drw 01

## PIN CONFIGURATIONS



3017 drw 02

## DIP/SOIC/SSOP/QSOP/CERPACK TOP VIEW



## LCC TOP VIEW

3017 drw 03

The IDT logo is a registered trademark of Integrated Device Technology, Inc.

MILITARY AND COMMERCIAL TEMPERATURE RANGES

OCTOBER 1995

**PIN DESCRIPTION**

Pin Names	Description
IN	Input
Ox	Outputs

3017 tbl 01

**CAPACITANCE** ( $T_A = +25^\circ\text{C}$ ,  $f = 1.0\text{MHz}$ )

Symbol	Parameter <sup>(1)</sup>	Conditions	Typ.	Max.	Unit
C <sub>IN</sub>	Input Capacitance	V <sub>IN</sub> = 0V	4.5	6.0	pF
C <sub>OUT</sub>	Output Capacitance	V <sub>OUT</sub> = 0V	5.5	8.0	pF

3017 lmk 02

**NOTE:**

1. This parameter is measured at characterization but not tested.

**ABSOLUTE MAXIMUM RATINGS<sup>(1)</sup>**

Symbol	Rating	Commercial	Military	Unit
V <sub>TERM</sub> <sup>(2)</sup>	Terminal Voltage with Respect to GND	-0.5 to +7.0	-0.5 to +7.0	V
V <sub>TERM</sub> <sup>(3)</sup>	Terminal Voltage with Respect to GND	-0.5 to V <sub>CC</sub> +0.5	-0.5 to V <sub>CC</sub> +0.5	V
T <sub>A</sub>	Operating Temperature	0 to +70	-55 to +125	°C
T <sub>BIAS</sub>	Temperature Under Bias	-55 to +125	-65 to +135	°C
T <sub>STG</sub>	Storage Temperature	-55 to +125	-65 to +150	°C
I <sub>OUT</sub>	DC Output Current	-60 to +120	-60 to +120	mA

3017 lmk 03

**NOTES:**

1. Stresses greater than those listed under ABSOLUTE MAXIMUM RATINGS may cause permanent damage to the device. This is a stress rating only and functional operation of the device at these or any other conditions above those indicated in the operational sections of this specification is not implied. Exposure to absolute maximum rating conditions for extended periods may affect reliability. No terminal voltage may exceed V<sub>CC</sub> by +0.5V unless otherwise noted.
2. Input and V<sub>CC</sub> terminals.
3. Output and I/O terminals.

## DC ELECTRICAL CHARACTERISTICS OVER OPERATING RANGE

Following Conditions Apply Unless Otherwise Specified

Commercial:  $T_A = 0^\circ\text{C}$  to  $+70^\circ\text{C}$ ,  $V_{CC} = 5.0\text{V} \pm 5\%$ ; Military:  $T_A = -55^\circ\text{C}$  to  $+125^\circ\text{C}$ ,  $V_{CC} = 5.0\text{V} \pm 10\%$

Symbol	Parameter	Test Conditions <sup>(1)</sup>		Min.	Typ. <sup>(2)</sup>	Max.	Unit
$V_{IH}$	Input HIGH Level	Guaranteed Logic HIGH Level		2.0	—	—	V
$V_{IL}$	Input LOW Level	Guaranteed Logic LOW Level		—	—	0.8	V
$I_{IH}$	Input HIGH Current <sup>(5)</sup>	$V_{CC} = \text{Max.}$	$V_I = 2.7\text{V}$	—	—	$\pm 1$	$\mu\text{A}$
$I_{IL}$	Input LOW Current <sup>(5)</sup>	$V_{CC} = \text{Max.}$	$V_I = 0.5\text{V}$	—	—	$\pm 1$	$\mu\text{A}$
$I_{OZH}$	High Impedance Output Current (3-State Output pins) <sup>(5)</sup>	$V_{CC} = \text{Max.}$	$V_O = 2.7\text{V}$	—	—	$\pm 1$	$\mu\text{A}$
$I_{OZL}$			$V_O = 0.5\text{V}$	—	—	$\pm 1$	$\mu\text{A}$
$I_I$	Input HIGH Current <sup>(5)</sup>	$V_{CC} = \text{Max.}, V_I = V_{CC} (\text{Max.})$		—	—	$\pm 1$	$\mu\text{A}$
$V_{IK}$	Clamp Diode Voltage	$V_{CC} = \text{Min.}, I_{IN} = -18\text{mA}$		—	-0.7	-1.2	V
$I_{OS}$	Short Circuit Current	$V_{CC} = \text{Max.}^{(3)}, V_O = \text{GND}$		-60	-120	-225	mA
$V_{OH}$	Output HIGH Voltage	$V_{CC} = \text{Min.}$ $V_{IN} = V_{IH}$ or $V_{IL}$	$I_{OH} = -12\text{mA MIL.}$ $I_{OH} = -15\text{mA COM'L.}$	2.4	3.3	—	V
			$I_{OH} = -24\text{mA MIL.}$ $I_{OH} = -32\text{mA COM'L.}^{(4)}$	2.0	3.0	—	
$V_{OL}$	Output LOW Voltage	$V_{CC} = \text{Min.}$ $V_{IN} = V_{IH}$ or $V_{IL}$	$I_{OL} = 32\text{mA MIL.}$ $I_{OL} = 48\text{mA COM'L.}$	—	0.3	0.55	V
$I_{OFF}$	Input/Output Power Off Leakage <sup>(5)</sup>	$V_{CC} = 0\text{V}, V_{IN}$ or $V_O \leq 4.5\text{V}$		—	—	$\pm 1$	$\mu\text{A}$
$V_H$	Input Hysteresis for all inputs	—		—	150	—	mV
$I_{CCL}$ $I_{CCH}$ $I_{CCZ}$	Quiescent Power Supply Current	$V_{CC} = \text{Max.}, V_{IN} = \text{GND}$ or $V_{CC}$		—	5	500	$\mu\text{A}$

**NOTES:**

3017 Ink 04

- For conditions shown as Max. or Min., use appropriate value specified under Electrical Characteristics for the applicable device type.
- Typical values are at  $V_{CC} = 5.0\text{V}$ ,  $+25^\circ\text{C}$  ambient.
- Not more than one output should be tested at one time. Duration of the test should not exceed one second.
- Duration of the condition can not exceed one second.
- The test limit for this parameter is  $\pm 5\mu\text{A}$  at  $T_A = -55^\circ\text{C}$ .

## POWER SUPPLY CHARACTERISTICS

Symbol	Parameter	Test Conditions <sup>(1)</sup>		Min.	Typ. <sup>(2)</sup>	Max.	Unit
$\Delta I_{CC}$	Quiescent Power Supply Current TTL Inputs HIGH	$V_{CC} = \text{Max.}$ $V_{IN} = 3.4\text{V}$		—	0.5	2.0	mA
$I_{CCD}$	Dynamic Power Supply Current <sup>(3)</sup>	$V_{CC} = \text{Max.}$ Input toggling 50% Duty Cycle Outputs Open	$V_{IN} = V_{CC}$ $V_{IN} = \text{GND}$	—	0.4	0.6	mA/ MHz
$I_C$	Total Power Supply Current <sup>(5)</sup>	$V_{CC} = \text{Max.}$ Input toggling 50% Duty Cycle Outputs Open $f_i = 50\text{MHz}$	$V_{IN} = V_{CC}$ $V_{IN} = \text{GND}$	—	20.0	30.5 <sup>(4)</sup>	mA
			$V_{IN} = 3.4\text{V}$ $V_{IN} = \text{GND}$	—	20.3	31.3 <sup>(4)</sup>	

**NOTES:**

3017 tbl 05

- For conditions shown as Max. or Min., use appropriate value specified under Electrical Characteristics for the applicable device type.
- Typical values are at  $V_{CC} = 5.0\text{V}$ ,  $+25^\circ\text{C}$  ambient.
- Per TTL driven input; ( $V_{IN} = 3.4\text{V}$ ); all other inputs at  $V_{CC}$  or  $\text{GND}$ .
- This parameter is not directly testable, but is derived for use in Total Power Supply Calculations.
- Values for these conditions are examples of the  $I_{CC}$  formula. These limits are guaranteed but not tested.
- $I_C = I_{\text{QUIESCENT}} + I_{\text{INPUTS}} + I_{\text{DYNAMIC}}$   
 $I_C = I_{CC} + \Delta I_{CC} \text{DHNT} + I_{CCD} (f_i)$   
 $I_{CC} = \text{Quiescent Current (} I_{CCL}, I_{CCH} \text{ and } I_{CCZ} \text{)}$   
 $\Delta I_{CC} = \text{Power Supply Current for a TTL High Input (} V_{IN} = 3.4\text{V)}$   
 $\text{DH} = \text{Duty Cycle for TTL Inputs High}$   
 $\text{NT} = \text{Number of TTL Inputs at DH}$   
 $I_{CCD} = \text{Dynamic Current Caused by an Input Transition Pair (HLH or LHL)}$   
 $f_i = \text{Input Frequency}$   
 All currents are in milliamps and all frequencies are in megahertz.

**SWITCHING CHARACTERISTICS OVER OPERATING RANGE<sup>(3,4)</sup>**

Symbol	Parameter	Conditions <sup>(1)</sup>	IDT54/74FCT807BT				IDT54/74FCT807CT				Unit
			Com'l.		Mil.		Com'l.		Mil.		
			Min. <sup>(2)</sup>	Max.	Min. <sup>(2)</sup>	Max.	Min. <sup>(2)</sup>	Max.	Min. <sup>(2)</sup>	Max.	
t <sub>PLH</sub> t <sub>PHL</sub>	Propagation Delay	50Ω to V <sub>CC</sub> /2, C <sub>L</sub> = 10pF	1.3	2.7			1.3	2.5			ns
t <sub>R</sub>	Output Rise Time	(See figure 1)	—	1.5	—		—	1.5	—		ns
t <sub>F</sub>	Output Fall Time	or 50Ω ac	—	1.5	—		—	1.5	—		ns
t <sub>SK(o)</sub>	Output skew: skew between outputs of same package (same transition)	termination, C <sub>L</sub> = 10pF	—	0.5	—		—	0.25	—		ns
t <sub>SK(p)</sub>	Pulse skew: skew between opposite transitions of same output ( t <sub>PHL</sub> – t <sub>PLH</sub>  )	(See figure 2) f ≤ 100MHz	—	0.5	—		—	0.35	—		ns
t <sub>SK(t)</sub>	Package skew: skew between outputs of different packages at same power supply voltage, temperature, package type and speed grade	Outputs connected in groups of two	—	0.9	—		—	0.65	—		ns

3017 tbl 06

Symbol	Parameter	Conditions <sup>(1)</sup>	IDT54/74FCT807BT				IDT54/74FCT807CT				Unit
			Com'l.		Mil.		Com'l.		Mil.		
			Min. <sup>(2)</sup>	Max.	Min. <sup>(2)</sup>	Max.	Min. <sup>(2)</sup>	Max.	Min. <sup>(2)</sup>	Max.	
t <sub>PLH</sub> t <sub>PHL</sub>	Propagation Delay	C <sub>L</sub> = 30pF f ≤ 67MHz	1.5	3.8			1.5	3.5			ns
t <sub>R</sub>	Output Rise Time	(See figure 3)	—	1.5	—		—	1.5	—		ns
t <sub>F</sub>	Output Fall Time		—	1.5	—		—	1.5	—		ns
t <sub>SK(o)</sub>	Output skew: skew between outputs of same package (same transition)		—	0.5	—		—	0.25	—		ns
t <sub>SK(p)</sub>	Pulse skew: skew between opposite transitions of same output ( t <sub>PHL</sub> – t <sub>PLH</sub>  )		—	0.5	—		—	0.35	—		ns
t <sub>SK(t)</sub>	Package skew: skew between outputs of different packages at same power supply voltage, temperature, package type and speed grade		—	0.9	—		—	0.75	—		ns

3017 tbl 07

Symbol	Parameter	Conditions <sup>(1)</sup>	IDT54/74FCT807BT				IDT54/74FCT807CT				Unit
			Com'l.		Mil.		Com'l.		Mil.		
			Min. <sup>(2)</sup>	Max.	Min. <sup>(2)</sup>	Max.	Min. <sup>(2)</sup>	Max.	Min. <sup>(2)</sup>	Max.	
t <sub>PLH</sub> t <sub>PHL</sub>	Propagation Delay	C <sub>L</sub> = 50pF f ≤ 40MHz	1.5	3.8			1.5	3.5			ns
t <sub>R</sub>	Output Rise Time	(See figure 4)	—	1.5	—		—	1.5	—		ns
t <sub>F</sub>	Output Fall Time		—	1.5	—		—	1.5	—		ns
t <sub>SK(o)</sub>	Output skew: skew between outputs of same package (same transition)		—	0.5	—		—	0.35	—		ns
t <sub>SK(p)</sub>	Pulse skew: skew between opposite transitions of same output ( t <sub>PHL</sub> – t <sub>PLH</sub>  )		—	0.60	—		—	0.45	—		ns
t <sub>SK(t)</sub>	Package skew: skew between outputs of different packages at same power supply voltage, temperature, package type and speed grade		—	1.0	—		—	0.75	—		ns

**NOTES:**

1. See test circuits and waveforms.
2. Minimum limits are guaranteed but not tested on Propagation Delays.
3. t<sub>PLH</sub>, t<sub>PHL</sub>, t<sub>SK(t)</sub> are production tested. All other parameters guaranteed but not production tested.
4. Propagation delay range indicated by Min. and Max. limit is due to V<sub>CC</sub>, operating temperature and process parameters. These propagation delay limits do not imply skew.

3017 tbl 08

## TEST CIRCUITS

### 50Ω TO V<sub>CC</sub>/2, C<sub>L</sub> = 10pF

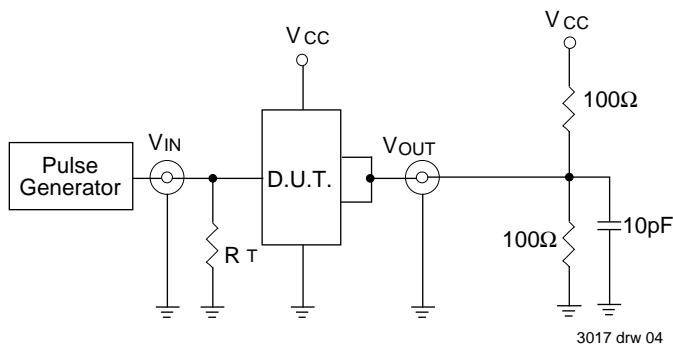


Figure 1.

### 50Ω AC TERMINATION, C<sub>L</sub> = 10pF

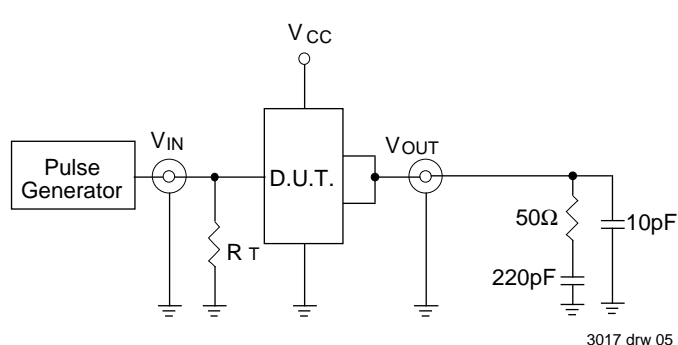


Figure 2.

The capacitor value for ac termination is determined by the operating frequency. For very low frequencies a higher capacitor value should be selected.

### C<sub>L</sub> = 30pF CIRCUIT

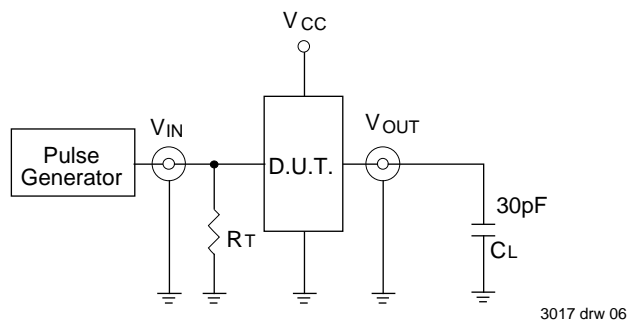


Figure 3.

### C<sub>L</sub> = 50pF CIRCUIT

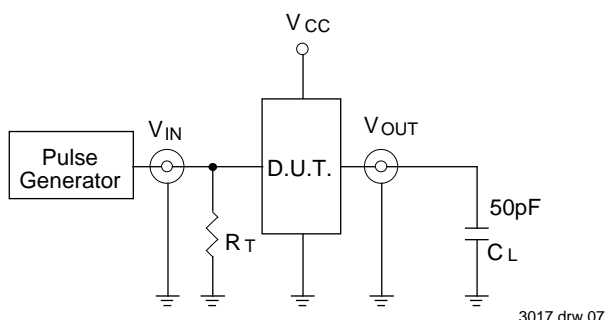


Figure 4.

### ENABLE AND DISABLE TIME CIRCUIT

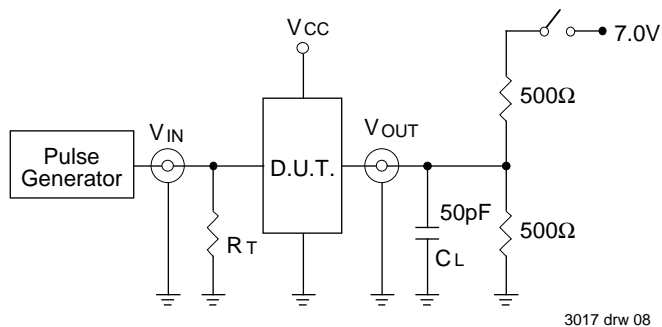


Figure 5.

### ENABLE AND DISABLE TIME SWITCH POSITION

Test	Switch
Disable LOW Enable LOW	Closed
Disable HIGH Enable HIGH	Open

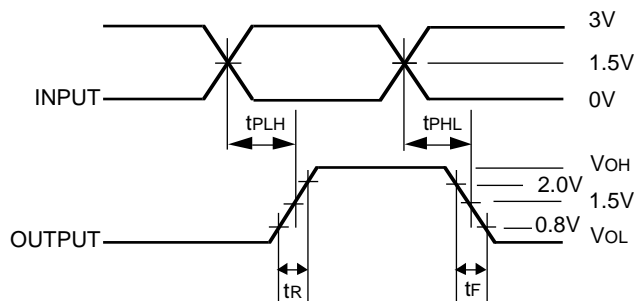
#### DEFINITIONS:

C<sub>L</sub> = Load capacitance: includes jig and probe capacitance.  
R<sub>T</sub> = Termination resistance: should be equal to Z<sub>OUT</sub> of the Pulse Generator.

3017 Ink 09

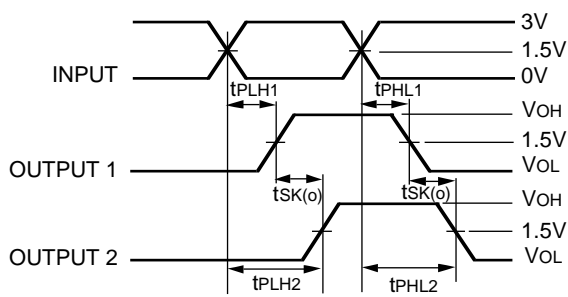
## TEST WAVEFORMS

### PACKAGE DELAY



3017 drw 09

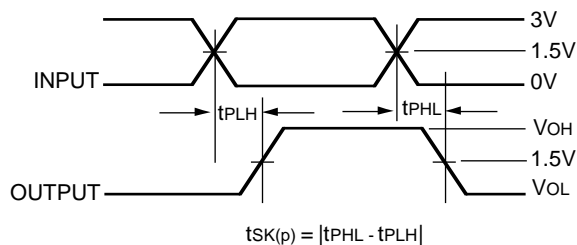
### OUTPUT SKEW- tsk(o)



$$t_{SK(o)} = |t_{PLH2} - t_{PLH1}| \text{ or } |t_{PHL2} - t_{PHL1}|$$

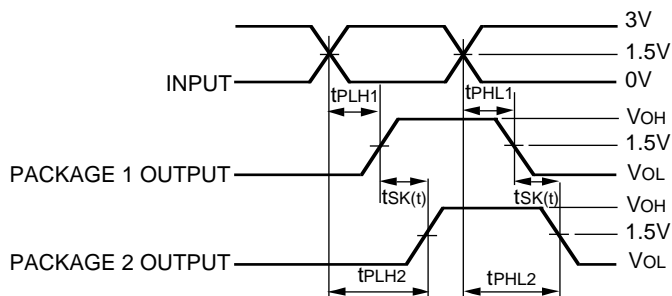
3017 drw 10

### PULSE SKEW - tsk(p)



3017 drw 11

### PACKAGE SKEW - tsk(t)

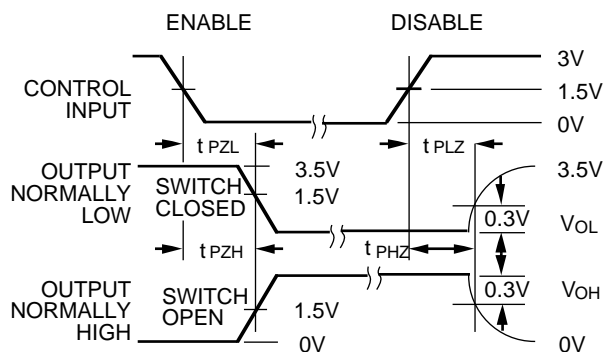


$$t_{SK(t)} = |t_{PLH2} - t_{PLH1}| \text{ or } |t_{PHL2} - t_{PHL1}|$$

Package 1 and Package 2 are same device type and speed grade

3017 drw 12

### ENABLE AND DISABLE TIMES

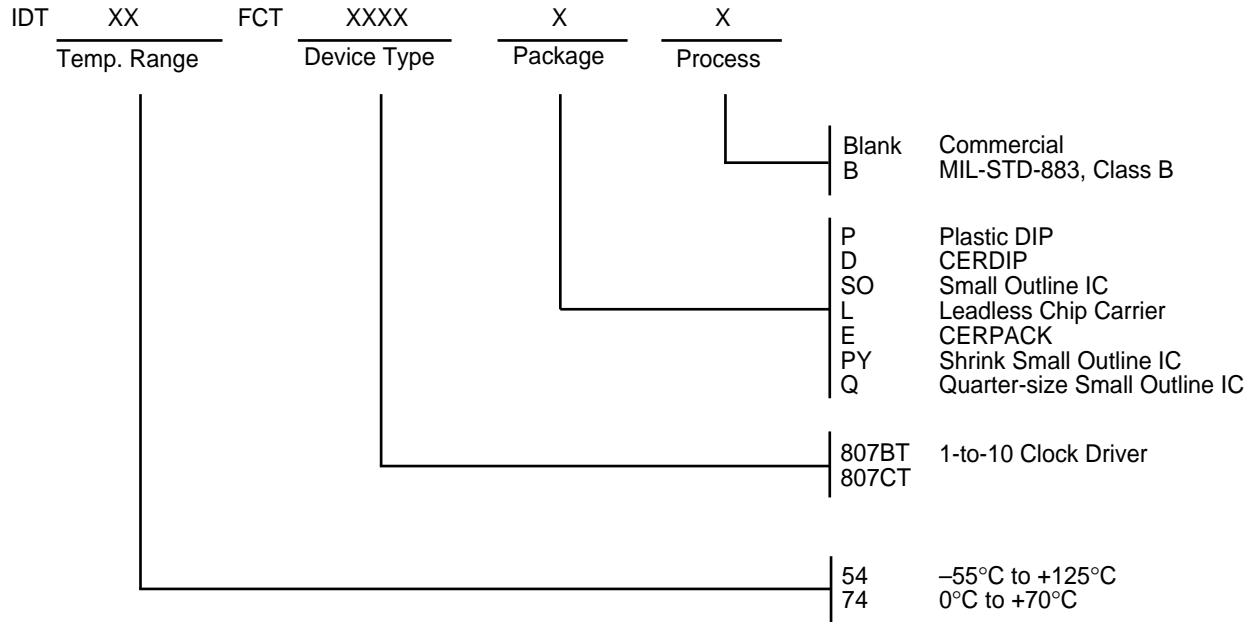


3017 drw 13

#### NOTES:

1. Diagram shown for input Control Enable-LOW and input Control Disable-HIGH
2. Pulse Generator for All Pulses:  $f \leq 1.0\text{MHz}$ ;  $t_F \leq 2.5\text{ns}$ ;  $t_R \leq 2.5\text{ns}$

**ORDERING INFORMATION**



3017 drw 14