

## 32K x 16 HIGH-SPEED CMOS STATIC RAM

NOVEMBER 2005

### FEATURES

- High-speed access time:
  - 12 ns: 3.3V  $\pm$  10%
  - 15 ns: 2.5V-3.6V
- CMOS low power operation:
  - 50 mW (typical) operating
  - 25  $\mu$ W (typical) standby
- TTL compatible interface levels
- Fully static operation: no clock or refresh required
- Three state outputs
- Data control for upper and lower bytes
- Automotive Temperature Available
- Lead-free available

### DESCRIPTION

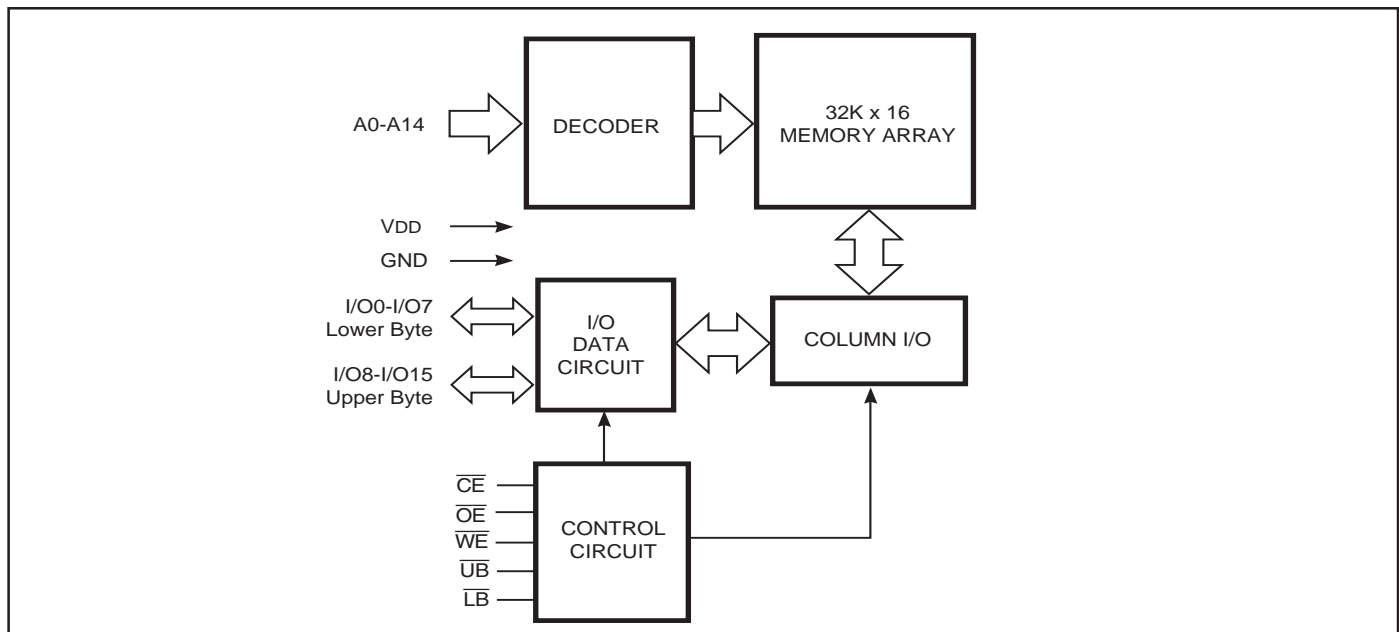
The *ISSI* IS61/64WV3216BLL is a high-speed, 524,288-bit static RAM organized as 32,768 words by 16 bits. It is fabricated using *ISSI*'s high-performance CMOS technology. This highly reliable process coupled with innovative circuit design techniques, yields access times as fast as 12ns (3.3V  $\pm$  10%) and 15ns (2.5V-3.6V) with low power consumption.

When  $\overline{\text{CE}}$  is HIGH (deselected), the device assumes a standby mode at which the power dissipation can be reduced down with CMOS input levels.

Easy memory expansion is provided by using Chip Enable and Output Enable inputs,  $\overline{\text{CE}}$  and  $\overline{\text{OE}}$ . The active LOW Write Enable ( $\overline{\text{WE}}$ ) controls both writing and reading of the memory. A data byte allows Upper Byte ( $\overline{\text{UB}}$ ) and Lower Byte ( $\overline{\text{LB}}$ ) access.

The IS61/64WV3216BLL is packaged in the JEDEC standard 44-pin TSOP-II, and 48-pin mini BGA (6mm x 8mm).

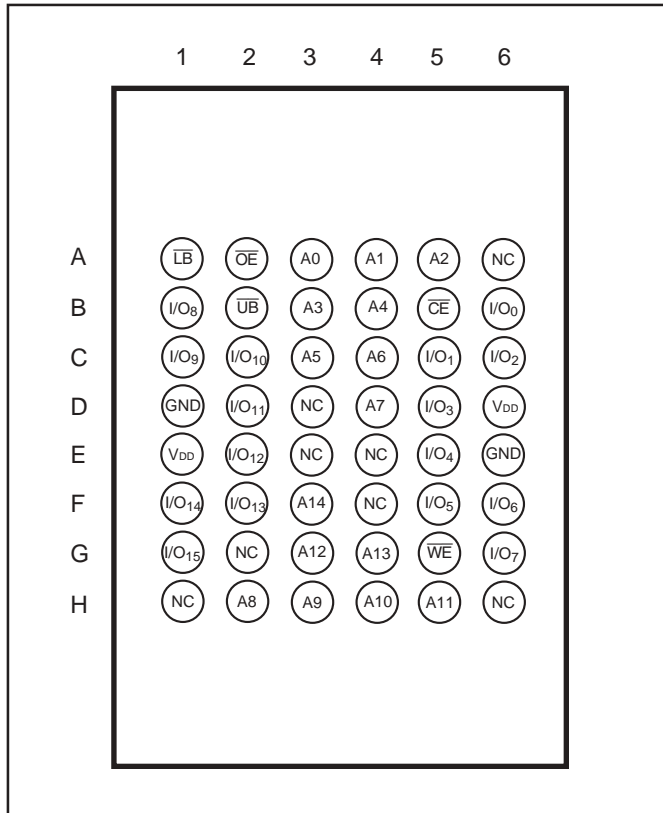
### FUNCTIONAL BLOCK DIAGRAM



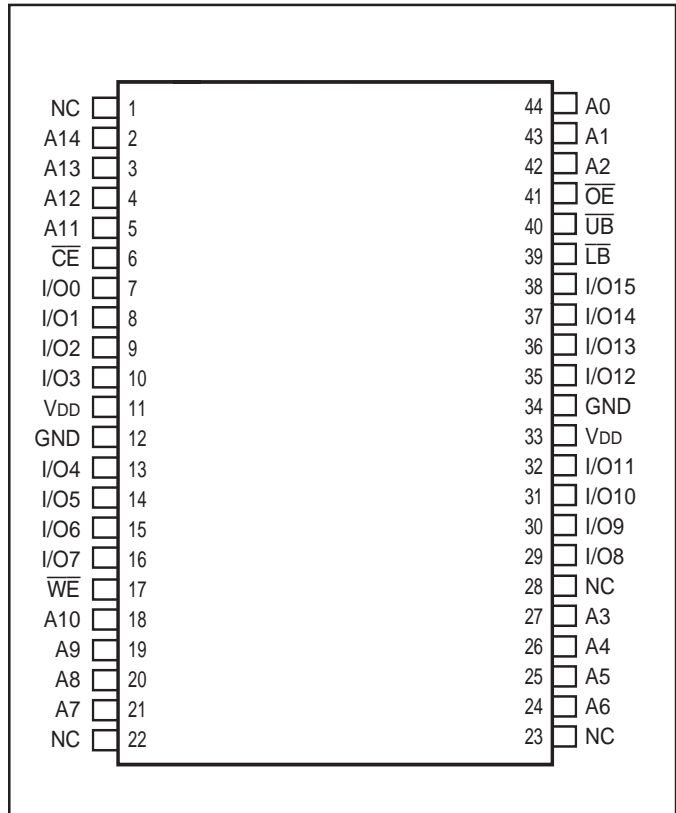
Copyright © 2005 Integrated Silicon Solution, Inc. All rights reserved. ISSI reserves the right to make changes to this specification and its products at any time without notice. ISSI assumes no liability arising out of the application or use of any information, products or services described herein. Customers are advised to obtain the latest version of this device specification before relying on any published information and before placing orders for products.

**PIN CONFIGURATIONS**

**48-Pin mini BGA (6mm x 8mm)**



**44-Pin TSOP-II**



**PIN DESCRIPTIONS**

A0-A14	Address Inputs
I/O0-I/O15	Data Inputs/Outputs
$\overline{CE}$	Chip Enable Input
$\overline{OE}$	Output Enable Input
$\overline{WE}$	Write Enable Input
$\overline{LB}$	Lower-byte Control (I/O0-I/O7)
$\overline{UB}$	Upper-byte Control (I/O8-I/O15)
NC	No Connection
V <sub>DD</sub>	Power
GND	Ground

**TRUTH TABLE**

Mode	$\overline{WE}$	$\overline{CE}$	$\overline{OE}$	$\overline{LB}$	$\overline{UB}$	I/O PIN		V <sub>DD</sub> Current
						I/O0-I/O7	I/O8-I/O15	
Not Selected	X	H	X	X	X	High-Z	High-Z	I <sub>SB1</sub> , I <sub>SB2</sub>
Output Disabled	H	L	H	X	X	High-Z	High-Z	I <sub>CC</sub>
	X	L	X	H	H	High-Z	High-Z	
Read	H	L	L	L	H	Dout	High-Z	I <sub>CC</sub>
	H	L	L	H	L	High-Z	Dout	
	H	L	L	L	L	Dout	Dout	
Write	L	L	X	L	H	Din	High-Z	I <sub>CC</sub>
	L	L	X	H	L	High-Z	Din	
	L	L	X	L	L	Din	Din	

**ABSOLUTE MAXIMUM RATINGS<sup>(1)</sup>**

Symbol	Parameter	Value	Unit
V <sub>TERM</sub>	Terminal Voltage with Respect to GND	-0.5 to V <sub>DD</sub> +0.5	V
T <sub>STG</sub>	Storage Temperature	-65 to +150	°C
P <sub>T</sub>	Power Dissipation	1.5	W
V <sub>DD</sub>	V <sub>DD</sub> Related to GND	-0.2 to +3.9	V

**Note:**

1. Stress greater than those listed under ABSOLUTE MAXIMUM RATINGS may cause permanent damage to the device. This is a stress rating only and functional operation of the device at these or any other conditions above those indicated in the operational sections of this specification is not implied. Exposure to absolute maximum rating conditions for extended periods may affect reliability.

**OPERATING RANGE (V<sub>DD</sub>)**

Range	Ambient Temperature	V <sub>DD</sub> (15 ns)	V <sub>DD</sub> (12 ns)
Commercial	0°C to +70°C	2.5V-3.6V	3.3V ± 10%
Industrial	-40°C to +85°C	2.5V-3.6V	3.3V ± 10%
Automotive	-40°C to +125°C	2.5V-3.6V	3.3V ± 10%

**DC ELECTRICAL CHARACTERISTICS** (Over Operating Range)

**V<sub>DD</sub> = 2.5V-3.6V**

Symbol	Parameter	Test Conditions	Min.	Max.	Unit
V <sub>OH</sub>	Output HIGH Voltage	V <sub>DD</sub> = Min., I <sub>OH</sub> = -1.0 mA	2.3	—	V
V <sub>OL</sub>	Output LOW Voltage	V <sub>DD</sub> = Min., I <sub>OL</sub> = 1.0 mA	—	0.4	V
V <sub>IH</sub>	Input HIGH Voltage		2.0	V <sub>DD</sub> + 0.3	V
V <sub>IL</sub>	Input LOW Voltage <sup>(1)</sup>		-0.3	0.8	V
I <sub>LI</sub>	Input Leakage	GND ≤ V <sub>IN</sub> ≤ V <sub>DD</sub>	-2	2	μA
I <sub>LO</sub>	Output Leakage	GND ≤ V <sub>OUT</sub> ≤ V <sub>DD</sub> , Outputs Disabled	-2	2	μA

**Note:**

- V<sub>IL</sub> (min.) = -0.3V DC; V<sub>IL</sub> (min.) = -2.0V AC (pulse width - 2.0 ns). Not 100% tested.  
V<sub>IH</sub> (max.) = V<sub>DD</sub> + 0.3V DC; V<sub>IH</sub> (max.) = V<sub>DD</sub> + 2.0V AC (pulse width - 2.0 ns). Not 100% tested.

**DC ELECTRICAL CHARACTERISTICS** (Over Operating Range)

**V<sub>DD</sub> = 3.3V ± 10%**

Symbol	Parameter	Test Conditions	Min.	Max.	Unit
V <sub>OH</sub>	Output HIGH Voltage	V <sub>DD</sub> = Min., I <sub>OH</sub> = -4.0 mA	2.4	—	V
V <sub>OL</sub>	Output LOW Voltage	V <sub>DD</sub> = Min., I <sub>OL</sub> = 8.0 mA	—	0.4	V
V <sub>IH</sub>	Input HIGH Voltage		2	V <sub>DD</sub> + 0.3	V
V <sub>IL</sub>	Input LOW Voltage <sup>(1)</sup>		-0.3	0.8	V
I <sub>LI</sub>	Input Leakage	GND ≤ V <sub>IN</sub> ≤ V <sub>DD</sub>	-2	2	μA
I <sub>LO</sub>	Output Leakage	GND ≤ V <sub>OUT</sub> ≤ V <sub>DD</sub> , Outputs Disabled	-2	2	μA

**Note:**

- V<sub>IL</sub> (min.) = -0.3V DC; V<sub>IL</sub> (min.) = -2.0V AC (pulse width - 2.0 ns). Not 100% tested.  
V<sub>IH</sub> (max.) = V<sub>DD</sub> + 0.3V DC; V<sub>IH</sub> (max.) = V<sub>DD</sub> + 2.0V AC (pulse width - 2.0 ns). Not 100% tested.

**POWER SUPPLY CHARACTERISTICS<sup>(1)</sup>** (Over Operating Range)

Symbol	Parameter	Test Conditions	Options	-12 ns		-15 ns		Unit
				Min.	Max.	Min.	Max.	
I <sub>CC</sub>	V <sub>DD</sub> Dynamic Operating Supply Current	V <sub>DD</sub> = Max., I <sub>OUT</sub> = 0 mA, f = f <sub>MAX</sub>	COM.	—	35	—	30	mA
			IND.	—	45	—	40	
			AUTO	—	60	—	50	
			typ. <sup>(2)</sup>	—	20	—	20	
I <sub>CC1</sub>	Operating Supply Current	V <sub>DD</sub> = Max., I <sub>OUT</sub> = 0mA, f = 0	COM.	—	5	—	5	mA
			IND.	—	5	—	5	
			AUTO	—	5	—	5	
I <sub>SB2</sub>	CMOS Standby Current (CMOS Inputs)	V <sub>DD</sub> = Max., $\overline{CE} \geq V_{DD} - 0.2V$ , V <sub>IN</sub> ≥ V <sub>DD</sub> - 0.2V, or V <sub>IN</sub> ≤ 0.2V, f = 0	COM.	—	20	—	20	uA
			IND.	—	50	—	50	
			AUTO	—	75	—	75	
			typ. <sup>(2)</sup>	—	6	—	6	

**Note:**

- At f = f<sub>MAX</sub>, address and data inputs are cycling at the maximum frequency, f = 0 means no input lines change.
- Typical values are measured at V<sub>DD</sub>=2.5V, T<sub>A</sub>=25°C. Not 100% tested.

**CAPACITANCE<sup>(1)</sup>**

Symbol	Parameter	Conditions	Max.	Unit
C <sub>IN</sub>	Input Capacitance	V <sub>IN</sub> = 0V	6	pF
C <sub>OUT</sub>	Input/Output Capacitance	V <sub>OUT</sub> = 0V	8	pF

**Note:**

- Tested initially and after any design or process changes that may affect these parameters.

**AC TEST CONDITIONS**

Parameter	Unit (2.5V-3.6V)	Unit (3.3V ± 10%)
Input Pulse Level	0V to V <sub>DD</sub> V	0V to V <sub>DD</sub> V
Input Rise and Fall Times	1.5ns	1.5ns
Input and Output Timing and Reference Level (V <sub>Ref</sub> )	V <sub>DD</sub> /2	V <sub>DD</sub> /2 + 0.05
Output Load	See Figures 1a and 1b	See Figures 1a and 1b

**AC TEST LOADS**

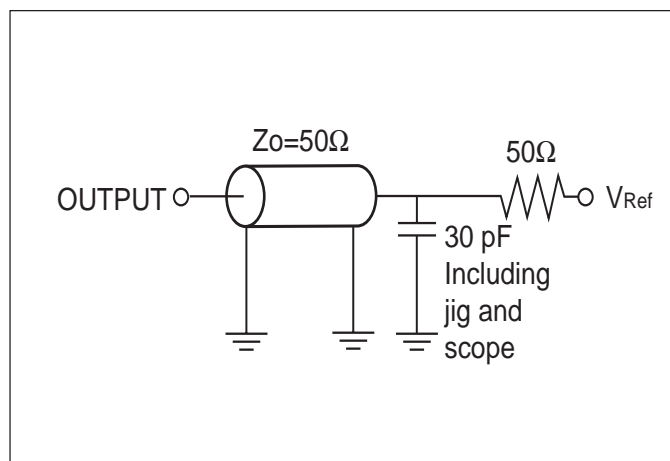


Figure 1a.

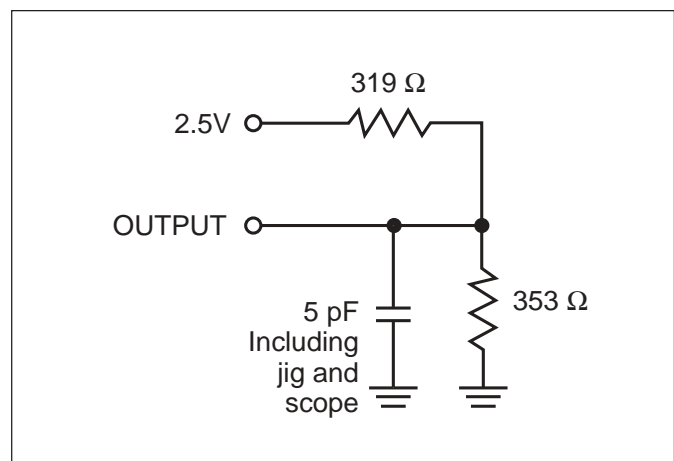


Figure 1b.

**READ CYCLE SWITCHING CHARACTERISTICS<sup>(1)</sup>** (Over Operating Range)

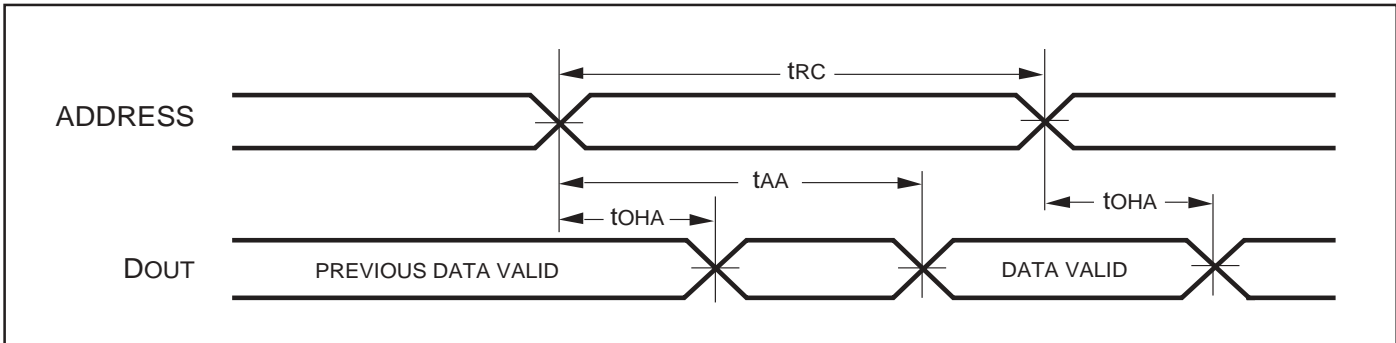
Symbol	Parameter	-12 ns		-15 ns		Unit
		Min.	Max.	Min.	Max.	
t <sub>RC</sub>	Read Cycle Time	12	—	15	—	ns
t <sub>AA</sub>	Address Access Time	—	12	—	15	ns
t <sub>OHA</sub>	Output Hold Time	3	—	3	—	ns
t <sub>ACE</sub>	$\overline{\text{CE}}$ Access Time	—	12	—	15	ns
t <sub>DOE</sub>	$\overline{\text{OE}}$ Access Time	—	6	—	7	ns
t <sub>HZOE<sup>(2)</sup></sub>	$\overline{\text{OE}}$ to High-Z Output	—	6	0	6	ns
t <sub>LZOE<sup>(2)</sup></sub>	$\overline{\text{OE}}$ to Low-Z Output	0	—	0	—	ns
t <sub>HZCE<sup>(2)</sup></sub>	$\overline{\text{CE}}$ to High-Z Output	0	6	0	6	ns
t <sub>LZCE<sup>(2)</sup></sub>	$\overline{\text{CE}}$ to Low-Z Output	3	—	3	—	ns
t <sub>BA</sub>	$\overline{\text{LB}}, \overline{\text{UB}}$ Access Time	—	6	—	7	ns
t <sub>HZB</sub>	$\overline{\text{LB}}, \overline{\text{UB}}$ to High-Z Output	0	6	0	6	ns
t <sub>LZB</sub>	$\overline{\text{LB}}, \overline{\text{UB}}$ to Low-Z Output	0	—	0	—	ns

**Notes:**

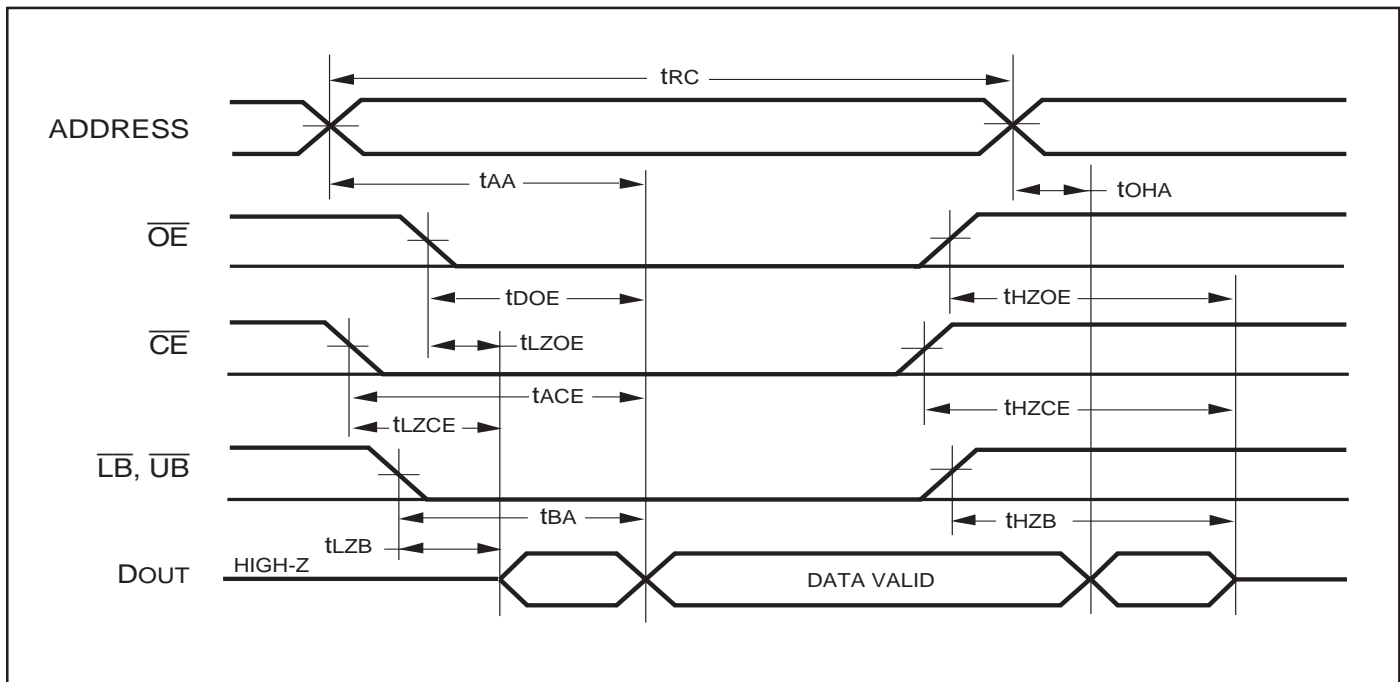
1. Test conditions assume signal transition times of 1.5 ns or less, timing reference levels of 1.25V, input pulse levels of 0V to V<sub>DD</sub> V and output loading specified in Figure 1a.
2. Tested with the load in Figure 1b. Transition is measured ±500 mV from steady-state voltage. Not 100% tested.
3. Not 100% tested.

AC WAVEFORMS

READ CYCLE NO. 1<sup>(1,2)</sup> (Address Controlled) ( $\overline{CS} = \overline{OE} = V_{IL}$ ,  $\overline{UB}$  or  $\overline{LB} = V_{IL}$ )



READ CYCLE NO. 2<sup>(1,3)</sup>



Notes:

1.  $\overline{WE}$  is HIGH for a Read Cycle.
2. The device is continuously selected.  $\overline{OE}$ ,  $\overline{CE}$ ,  $\overline{UB}$ , or  $\overline{LB} = V_{IL}$ .
3. Address is valid prior to or coincident with  $\overline{CE}$  LOW transition.



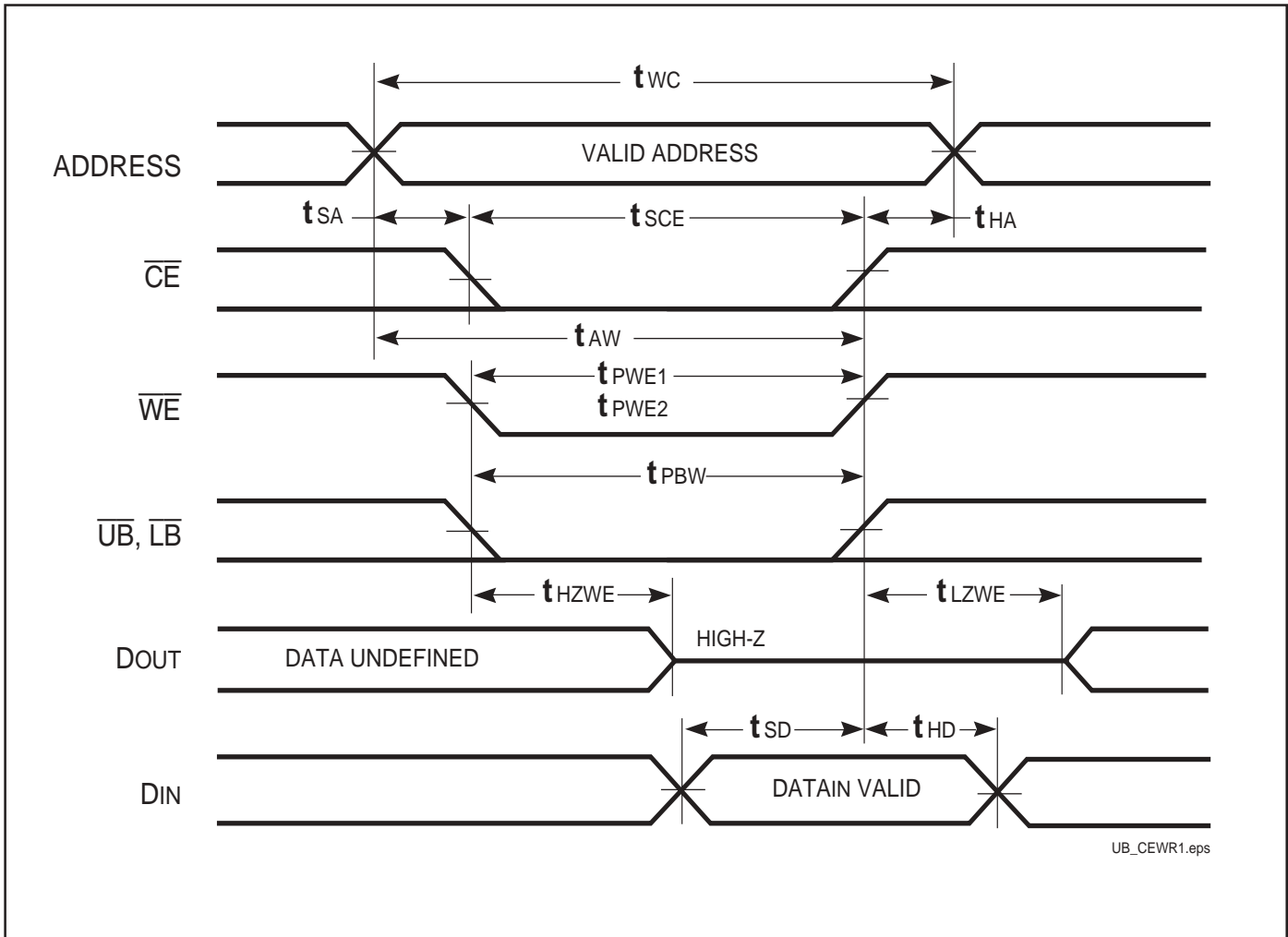
**WRITE CYCLE SWITCHING CHARACTERISTICS<sup>(1,2)</sup>** (Over Operating Range)

Symbol	Parameter	-12 ns		-15 ns		Unit
		Min.	Max.	Min.	Max.	
t <sub>WC</sub>	Write Cycle Time	12	—	15	—	ns
t <sub>SCE</sub>	$\overline{\text{CE}}$ to Write End	9	—	10	—	ns
t <sub>AW</sub>	Address Setup Time to Write End	9	—	10	—	ns
t <sub>HA</sub>	Address Hold from Write End	0	—	0	—	ns
t <sub>SA</sub>	Address Setup Time	0	—	0	—	ns
t <sub>PWB</sub>	$\overline{\text{LB}}$ , $\overline{\text{UB}}$ Valid to End of Write	9	—	10	—	ns
t <sub>PWE1</sub>	$\overline{\text{WE}}$ Pulse Width ( $\overline{\text{OE}}$ = HIGH)	9	—	10	—	ns
t <sub>PWE2</sub>	$\overline{\text{WE}}$ Pulse Width ( $\overline{\text{OE}}$ = LOW)	11	—	12	—	ns
t <sub>SD</sub>	Data Setup to Write End	9	—	9	—	ns
t <sub>HD</sub>	Data Hold from Write End	0	—	0	—	ns
t <sub>HZWE<sup>(3)</sup></sub>	$\overline{\text{WE}}$ LOW to High-Z Output	—	6	—	7	ns
t <sub>LZWE<sup>(3)</sup></sub>	$\overline{\text{WE}}$ HIGH to Low-Z Output	3	—	3	—	ns

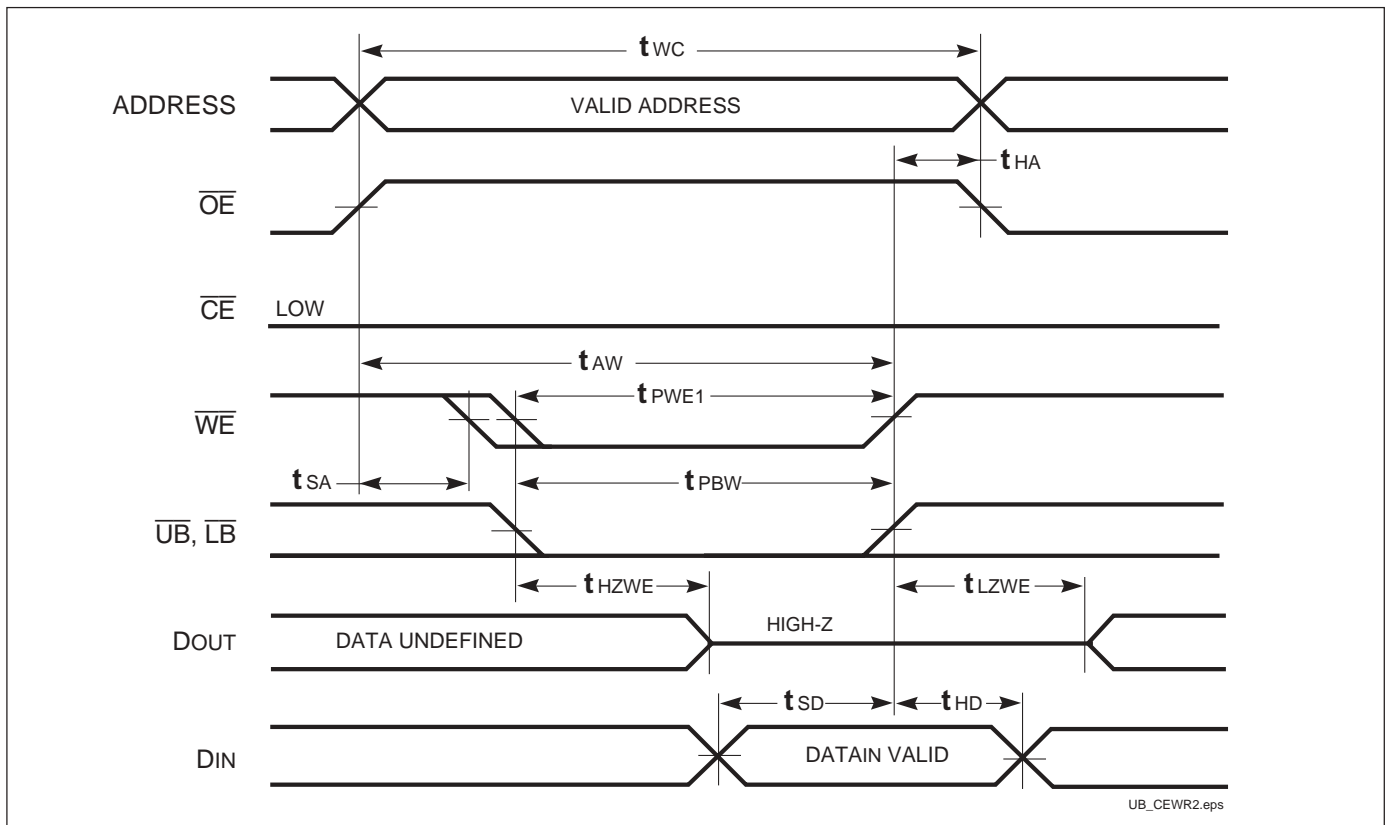
**Notes:**

1. Test conditions for IS61WV3216BLL assume signal transition times of 1.5ns or less, timing reference levels of 1.25V, input pulse levels of 0V to V<sub>DD</sub> V and output loading specified in Figure 1a.
2. Tested with the load in Figure 1b. Transition is measured ±500 mV from steady-state voltage. Not 100% tested.
3. The internal write time is defined by the overlap of  $\overline{\text{CE}}$  LOW and  $\overline{\text{UB}}$  or  $\overline{\text{LB}}$ , and  $\overline{\text{WE}}$  LOW. All signals must be in valid states to initiate a Write, but any one can go inactive to terminate the Write. The Data Input Setup and Hold timing are referenced to the rising or falling edge of the signal that terminates the write.

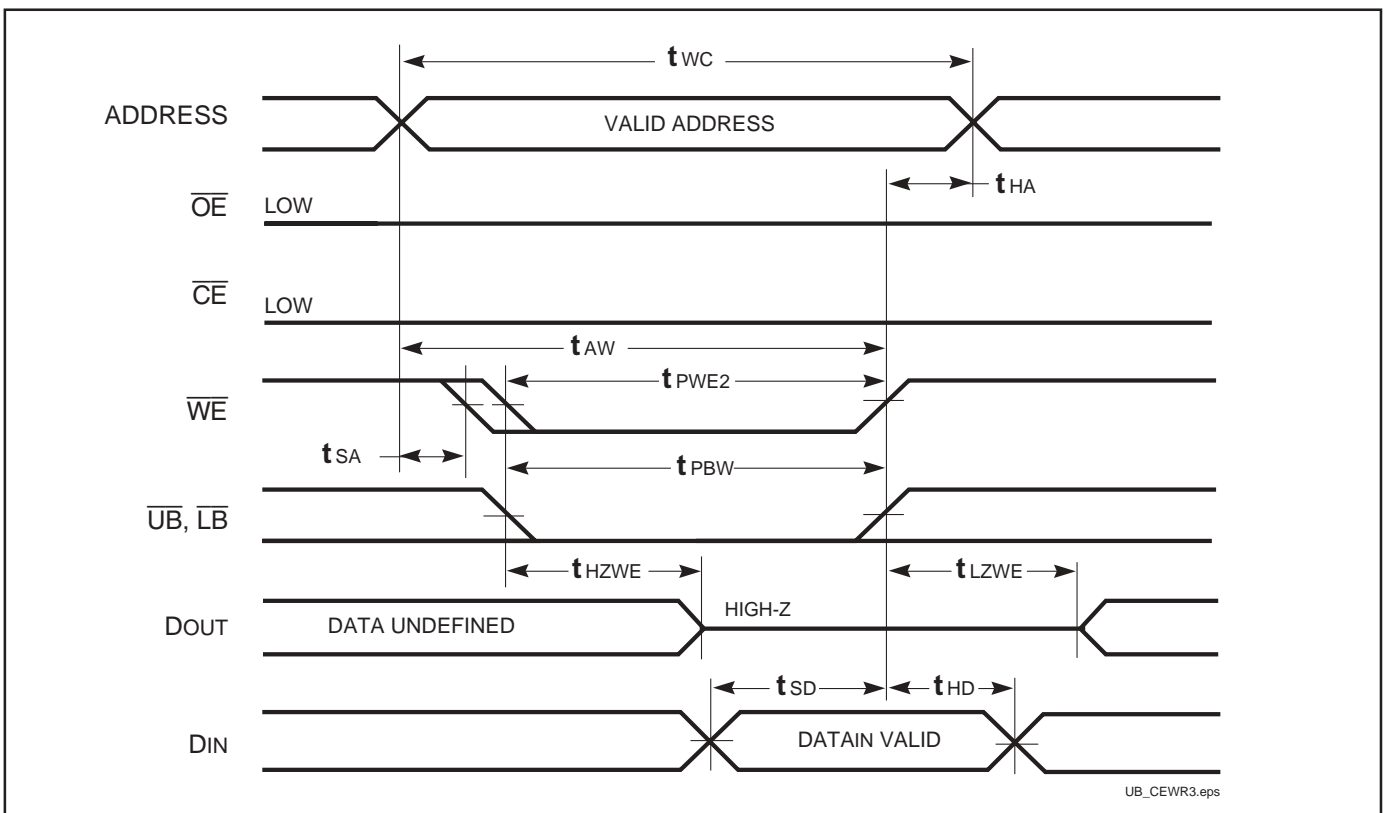
WRITE CYCLE NO. 1<sup>(1,2)</sup> ( $\overline{CE}$  Controlled,  $\overline{OE}$  = HIGH or LOW)



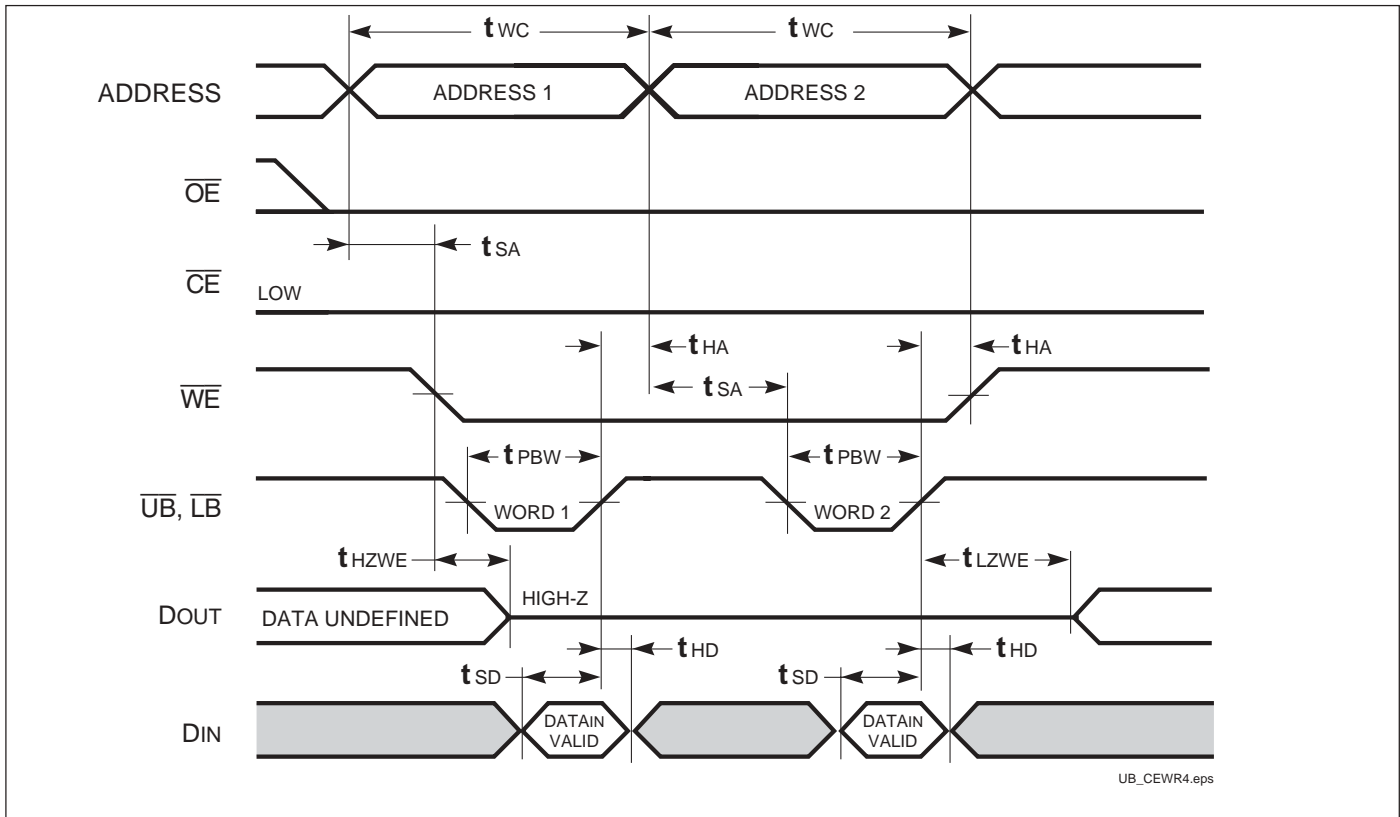
WRITE CYCLE NO. 2<sup>(1)</sup> ( $\overline{WE}$  Controlled,  $\overline{OE}$  = HIGH during Write Cycle)



WRITE CYCLE NO. 3 ( $\overline{WE}$  Controlled:  $\overline{OE}$  is LOW During Write Cycle)



WRITE CYCLE NO. 4 ( $\overline{\text{LB}}$ ,  $\overline{\text{UB}}$  Controlled, Back-to-Back Write) <sup>(1,3)</sup>



**Notes:**

1. The internal Write time is defined by the overlap of  $\overline{\text{CE}} = \text{LOW}$ ,  $\overline{\text{UB}}$  and/or  $\overline{\text{LB}} = \text{LOW}$ , and  $\overline{\text{WE}} = \text{LOW}$ . All signals must be in valid states to initiate a Write, but any can be deasserted to terminate the Write. The  $t_{\text{SA}}$ ,  $t_{\text{HA}}$ ,  $t_{\text{SD}}$ , and  $t_{\text{HD}}$  timing is referenced to the rising or falling edge of the signal that terminates the Write.
2. Tested with  $\overline{\text{OE}}$  HIGH for a minimum of 4 ns before  $\overline{\text{WE}} = \text{LOW}$  to place the I/O in a HIGH-Z state.
3.  $\overline{\text{WE}}$  may be held LOW across many address cycles and the  $\overline{\text{LB}}$ ,  $\overline{\text{UB}}$  pins can be used to control the Write function.

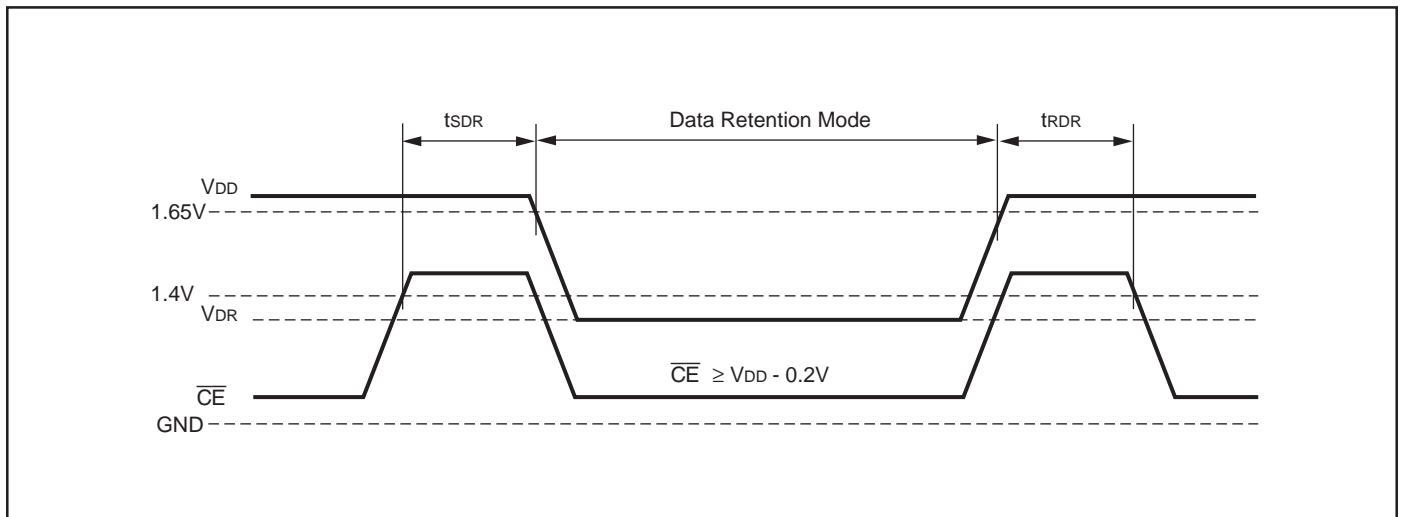
**DATA RETENTION SWITCHING CHARACTERISTICS**

Symbol	Parameter	Test Condition	Operations	Min.	Typ. <sup>(1)</sup>	Max.	Unit
V <sub>DR</sub>	V <sub>DD</sub> for Data Retention	See Data Retention Waveform		1.8	—	3.6	V
I <sub>DR</sub>	Data Retention Current	V <sub>DD</sub> = 1.8V, $\overline{CE} \geq V_{DD} - 0.2V$	COM. IND. AUTO	— — —	6 6 6	20 50 75	μA
t <sub>SDR</sub>	Data Retention Setup Time	See Data Retention Waveform		0	—	—	ns
t <sub>RDR</sub>	Recovery Time	See Data Retention Waveform		t <sub>RC</sub>	—	—	ns

**Note:**

1. Typical values are measured at V<sub>DD</sub> = 2.5V, T<sub>A</sub> = 25°C. Not 100% tested.

**DATA RETENTION WAVEFORM ( $\overline{CE}$  Controlled)**



**ORDERING INFORMATION**

**Industrial Temperature Range: -40°C to +85°C**

Speed (ns)	Order Part No.	Package
12	IS61WV3216BLL-12TI	Plastic TSOP
12	IS61WV3216BLL-12TLI	Plastic TSOP, Lead-free
12	IS61WV3216BLL-12BI	mini BGA (6mm x 8mm)
12	IS61WV3216BLL-12BLI	mini BGA (6mm x 8mm), Lead-free

**Temperature Range (A3): -40°C to +125°C**

Speed (ns)	Order Part No.	Package
15 (12*)	IS64WV3216BLL-15TA3	Plastic TSOP
15 (12*)	IS64WV3216BLL-15TLA3	Plastic TSOP, Lead-free
15 (12*)	IS64WV3216BLL-15BA3	mini BGA (6mm x 8mm)
15 (12*)	IS64WV3216BLL-15BLA3	mini BGA (6mm x 8mm), Lead-free

**Note:**

1. Speed = 12ns for  $V_{DD} = 3.3V \pm 10\%$ . Speed = 15ns for  $V_{DD} = 2.5V - 3.6V$ .

# PACKAGING INFORMATION



## Mini Ball Grid Array Package Code: B (48-pin)



Copyright © 2003 Integrated Silicon Solution, Inc. All rights reserved. ISSI reserves the right to make changes to this specification and its products at any time without notice. ISSI assumes no liability arising out of the application or use of any information, products or services described herein. Customers are advised to obtain the latest version of this device specification before relying on any published information and before placing orders for products.

Integrated Silicon Solution, Inc. — [www.issi.com](http://www.issi.com) — 1-800-379-4774

Rev. D  
01/15/03

# PACKAGING INFORMATION



## Plastic TSOP Package Code: T (Type II)



### Notes:

1. Controlling dimension: millimeters, unless otherwise specified.
2. BSC = Basic lead spacing between centers.
3. Dimensions D and E1 do not include mold flash protrusions and should be measured from the bottom of the package.
4. Formed leads shall be planar with respect to one another within 0.004 inches at the seating plane.



Plastic TSOP (T - Type II)

Symbol	Millimeters		Inches		Millimeters		Inches		Millimeters		Inches	
	Min	Max	Min	Max	Min	Max	Min	Max	Min	Max	Min	Max
Ref. Std.												
No. Leads (N)	32				44				50			
A	—	1.20	—	0.047	—	1.20	—	0.047	—	1.20	—	0.047
A1	0.05	0.15	0.002	0.006	0.05	0.15	0.002	0.006	0.05	0.15	0.002	0.006
b	0.30	0.52	0.012	0.020	0.30	0.45	0.012	0.018	0.30	0.45	0.012	0.018
C	0.12	0.21	0.005	0.008	0.12	0.21	0.005	0.008	0.12	0.21	0.005	0.008
D	20.82	21.08	0.820	0.830	18.31	18.52	0.721	0.729	20.82	21.08	0.820	0.830
E1	10.03	10.29	0.391	0.400	10.03	10.29	0.395	0.405	10.03	10.29	0.395	0.405
E	11.56	11.96	0.451	0.466	11.56	11.96	0.455	0.471	11.56	11.96	0.455	0.471
e	1.27 BSC		0.050 BSC		0.80 BSC		0.032 BSC		0.80 BSC		0.031 BSC	
L	0.40	0.60	0.016	0.024	0.41	0.60	0.016	0.024	0.40	0.60	0.016	0.024
ZD	0.95 REF		0.037 REF		0.81 REF		0.032 REF		0.88 REF		0.035 REF	
alpha	0°	5°	0°	5°	0°	5°	0°	5°	0°	5°	0°	5°

Copyright © 2003 Integrated Silicon Solution, Inc. All rights reserved. ISSI reserves the right to make changes to this specification and its products at any time without notice. ISSI assumes no liability arising out of the application or use of any information, products or services described herein. Customers are advised to obtain the latest version of this device specification before relying on any published information and before placing orders for products.