

Formerly FSL230R4

5A, 200V, 0.460 Ohm, Rad Hard,  
N-Channel Power MOSFET

June 1998

### Features

- 5A, 200V,  $r_{DS(ON)} = 0.460\Omega$
- Total Dose
  - Meets Pre-RAD Specifications to 100K RAD (Si)
- Single Event
  - Safe Operating Area Curve for Single Event Effects
  - SEE Immunity for LET of 36MeV/mg/cm<sup>2</sup> with  $V_{DS}$  up to 80% of Rated Breakdown and  $V_{GS}$  of 10V Off-Bias
- Dose Rate
  - Typically Survives 3E9 RAD (Si)/s at 80%  $BV_{DSS}$
  - Typically Survives 2E12 if Current Limited to  $I_{DM}$
- Photo Current
  - 3.0nA Per-RAD(Si)/s Typically
- Neutron
  - Maintain Pre-RAD Specifications for 1E13 Neutrons/cm<sup>2</sup>
  - Usable to 1E14 Neutrons/cm<sup>2</sup>

### Ordering Information

| PART NUMBER | PACKAGE  | BRAND       |
|-------------|----------|-------------|
| JANSR2N7396 | TO-205AF | JANSR2N7396 |

Die Family TA17637.

MIL-PRF-19500/631.

### Description

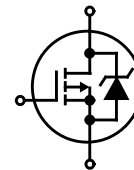
The Discrete Products Operation of Intersil Corporation has developed a series of Radiation Hardened MOSFETs specifically designed for commercial and military space applications. Enhanced Power MOSFET immunity to Single Event Effects (SEE), Single Event Gate Rupture (SEGR) in particular, is combined with 100K RADS of total dose hardness to provide devices which are ideally suited to harsh space environments. The dose rate and neutron tolerance necessary for military applications have not been sacrificed.

The Intersil portfolio of SEGR resistant radiation hardened MOSFETs includes N-Channel and P-Channel devices in a variety of voltage, current and on-resistance ratings. Numerous packaging options are also available.

This MOSFET is an enhancement-mode silicon-gate power field-effect transistor of the vertical DMOS (VDMOS) structure. It is specially designed and processed to be radiation tolerant. The MOSFET is well suited for applications exposed to radiation environments such as switching regulation, switching converters, motor drives, relay drivers and drivers for high-power bipolar switching transistors requiring high speed and low gate drive power. This type can be operated directly from integrated circuits.

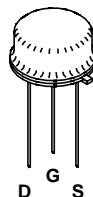
Also available at other radiation and screening levels. See us on the web, Intersil' home page:<http://www.intersil.com>. Contact your local Intersil Sales Office for additional information.

### Symbol



### Package

TO-205AF



# JANSR2N7396

## Absolute Maximum Ratings $T_C = 25^\circ\text{C}$ , Unless Otherwise Specified

|   | JANSR2N7396 | UNITS               |
|---|-------------|---------------------|
| Drain to Source Voltage . . . . .   | 200         | V                   |
| Drain to Gate Voltage ( $R_{GS} = 20k\Omega$ ) . . . . .                            | 200         | V                   |
| Continuous Drain Current  |             |                     |
| $T_C = 25^\circ\text{C}$ . . . . .  | 5           | A                   |
| $T_C = 100^\circ\text{C}$ . . . . .   | 3           | A                   |
| Pulsed Drain Current . . . . .  | 15          | A                   |
| Gate to Source Voltage . . . . .  | $\pm 20$    | V                   |
| Maximum Power Dissipation   |             |                     |
| $T_C = 25^\circ\text{C}$ . . . . .  | 25          | W                   |
| $T_C = 100^\circ\text{C}$ . . . . .   | 10          | W                   |
| Linear Derating Factor . . . . .  | 0.20        | W/ $^\circ\text{C}$ |
| Single Pulsed Avalanche Current, $L = 100\mu\text{H}$ , (See Test Figure) . . . . . | 15          | A                   |
| Continuous Source Current (Body Diode) . . . . .                                    | 5           | A                   |
| Pulsed Source Current (Body Diode) . . . . .  | 15          | A                   |
| Operating and Storage Temperature . . . . .   | -55 to 150  | $^\circ\text{C}$    |
| Lead Temperature (During Soldering) . . . . .                                       | 300         | $^\circ\text{C}$    |
| (Distance $>0.063\text{in}$ (1.6mm) from Case, 10s Max)                             |             |                     |
| Weight (Typical) . . . . .  | 1.0         | g                   |

CAUTION: Stresses above those listed in "Absolute Maximum Ratings" may cause permanent damage to the device. This is a stress only rating and operation of the device at these or any other conditions above those indicated in the operational sections of this specification is not implied.

## Electrical Specifications $T_C = 25^\circ\text{C}$ , Unless Otherwise Specified

| PARAMETER                                  | SYMBOL          | TEST CONDITIONS  | MIN   | TYP | MAX   | UNITS                     |                           |
|--|-----------------|--|---|-----|-------|---------------------------|---------------------------|
| Drain to Source Breakdown Voltage          | $BV_{DSS}$      | $I_D = 1\text{mA}$ , $V_{GS} = 0\text{V}$  | 200   | -   | -     | V                         |                           |
| Gate Threshold Voltage                     | $V_{GS(TH)}$    | $V_{GS} = V_{DS}$ ,<br>$I_D = 1\text{mA}$  | $T_C = -55^\circ\text{C}$                     | -   | -     | 5.0                       | V                         |
|  |                 |  | $T_C = 25^\circ\text{C}$                      | 1.5 | -     | 4.0                       | V                         |
|  |                 |  | $T_C = 125^\circ\text{C}$                     | 0.5 | -     | -                         | V                         |
| Zero Gate Voltage Drain Current            | $I_{DSS}$       | $V_{DS} = 160\text{V}$ ,<br>$V_{GS} = 0\text{V}$   | $T_C = 25^\circ\text{C}$                      | -   | -     | 25                        | $\mu\text{A}$             |
|  |                 |  | $T_C = 125^\circ\text{C}$                     | -   | -     | 250                       | $\mu\text{A}$             |
| Gate to Source Leakage Current             | $I_{GSS}$       | $V_{GS} = \pm 20\text{V}$  | $T_C = 25^\circ\text{C}$                      | -   | -     | 100                       | nA                        |
|  |                 |  | $T_C = 125^\circ\text{C}$                     | -   | -     | 200                       | nA                        |
| Drain to Source On-State Voltage           | $V_{DS(ON)}$    | $V_{GS} = 12\text{V}$ , $I_D = 5\text{A}$  | -   | -   | 2.42  | V                         |                           |
| Drain to Source On Resistance              | $r_{DS(ON)12}$  | $I_D = 3\text{A}$ ,<br>$V_{GS} = 12\text{V}$   | $T_C = 25^\circ\text{C}$                      | -   | 0.340 | 0.460                     | $\Omega$                  |
|  |                 |  | $T_C = 125^\circ\text{C}$                     | -   | -     | 0.805                     | $\Omega$                  |
| Turn-On Delay Time                         | $t_{d(ON)}$     | $V_{DD} = 100\text{V}$ , $I_D = 5\text{A}$ ,<br>$R_L = 20\Omega$ , $V_{GS} = 12\text{V}$ ,<br>$R_{GS} = 7.5\Omega$ | -   | -   | 65    | ns                        |                           |
| Rise Time                                  | $t_r$           |  | -   | -   | 150   | ns                        |                           |
| Turn-Off Delay Time                        | $t_{d(OFF)}$    |  | -   | -   | 120   | ns                        |                           |
| Fall Time                                  | $t_f$           |  | -   | -   | 85    | ns                        |                           |
| Total Gate Charge (Not on slash sheet)     | $Q_g(TOT)$      | $V_{GS} = 0\text{V}$ to $20\text{V}$   | $V_{DD} = 100\text{V}$ ,<br>$I_D = 5\text{A}$ | -   | -     | 58                        | nC                        |
| Gate Charge at 12V                         | $Q_g(12)$       | $V_{GS} = 0\text{V}$ to $12\text{V}$   |   | -   | 31    | 38                        | nC                        |
| Threshold Gate Charge (Not on slash sheet) | $Q_g(TH)$       | $V_{GS} = 0\text{V}$ to $2\text{V}$  |   | -   | -     | 2.6                       | nC                        |
| Gate Charge Source                         | $Q_{gs}$        |  |   | -   | 6.1   | 8.4                       | nC                        |
| Gate Charge Drain                          | $Q_{gd}$        |  |   | -   | 15    | 20                        | nC                        |
| Thermal Resistance Junction to Case        | $R_{\theta JC}$ |  |   | -   | -     | 5.0                       | $^\circ\text{C}/\text{W}$ |
| Thermal Resistance Junction to Ambient     | $R_{\theta JA}$ |  | -   | -   | 175   | $^\circ\text{C}/\text{W}$ |                           |

**Source to Drain Diode Specifications**

| PARAMETER             | SYMBOL   | TEST CONDITIONS                        | MIN | TYP | MAX | UNITS |
|-----------------------|----------|--|-----|-----|-----|-------|
| Forward Voltage       | $V_{SD}$ | $I_{SD} = 5A$                          | 0.6 | -   | 1.8 | V     |
| Reverse Recovery Time | $t_{rr}$ | $I_{SD} = 5A, dI_{SD}/dt = 100A/\mu s$ | -   | -   | 360 | ns    |

**Electrical Specifications up to 100K RAD**  $T_C = 25^\circ C$ , Unless Otherwise Specified

| PARAMETER                                   | SYMBOL         | TEST CONDITIONS                 | MIN | MAX   | UNITS    |
|---|----------------|---------------------------------|-----|-------|----------|
| Drain to Source Breakdown Volts (Note 3)    | $BV_{DSS}$     | $V_{GS} = 0, I_D = 1mA$         | 200 | -     | V        |
| Gate to Source Threshold Volts (Note 3)     | $V_{GS(TH)}$   | $V_{GS} = V_{DS}, I_D = 1mA$    | 1.5 | 4.0   | V        |
| Gate to Body Leakage (Notes 2, 3)           | $I_{GSS}$      | $V_{GS} = \pm 20V, V_{DS} = 0V$ | -   | 100   | nA       |
| Zero Gate Leakage (Note 3)                  | $I_{DSS}$      | $V_{GS} = 0, V_{DS} = 160V$     | -   | 25    | $\mu A$  |
| Drain to Source On-State Volts (Notes 1, 3) | $V_{DS(ON)}$   | $V_{GS} = 12V, I_D = 5A$        | -   | 2.42  | V        |
| Drain to Source On Resistance (Notes 1, 3)  | $r_{DS(ON)12}$ | $V_{GS} = 12V, I_D = 3A$        | -   | 0.460 | $\Omega$ |

NOTES:

1. Pulse test, 300 $\mu s$  Max.
2. Absolute value.
3. Insitu Gamma bias must be sampled for both  $V_{GS} = 12V, V_{DS} = 0V$  and  $V_{GS} = 0V, V_{DS} = 80\% BV_{DSS}$ .

**Single Event Effects (SEB, SEGR) (Note 4)**

| TEST                                     | SYMBOL | ENVIRONMENT (NOTE 5) |                                       |                         | APPLIED $V_{GS}$ BIAS (V) | (NOTE 6) MAXIMUM $V_{DS}$ BIAS (V) |
|--|--------|----------------------|---------------------------------------|-------------------------|---------------------------|------------------------------------|
|  |        | ION SPECIES          | TYPICAL LET (MeV/mg/cm <sup>2</sup> ) | TYPICAL RANGE ( $\mu$ ) |                           |                                    |
| Single Event Effects Safe Operating Area | SEESOA | Ni                   | 26                                    | 43                      | -20                       | 200                                |
|  |        | Br                   | 37                                    | 36                      | -5                        | 200                                |
|  |        | Br                   | 37                                    | 36                      | -10                       | 160                                |
|  |        | Br                   | 37                                    | 36                      | -15                       | 100                                |
|  |        | Br                   | 37                                    | 36                      | -20                       | 40                                 |

NOTES:

4. Testing conducted at Brookhaven National Labs; sponsored by Naval Surface Warfare Center (NSWC), Crane, IN.
5. Fluence = 1E5 ions/cm<sup>2</sup> (typical), T = 25 $^\circ C$ .
6. Does not exhibit Single Event Burnout (SEB) or Single Event Gate Rupture (SEGR).

**Typical Performance Curves** Unless Otherwise Specified

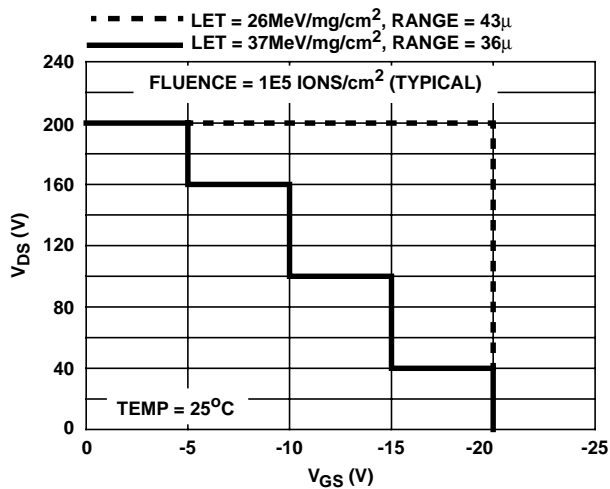


FIGURE 1. SINGLE EVENT EFFECTS SAFE OPERATING AREA

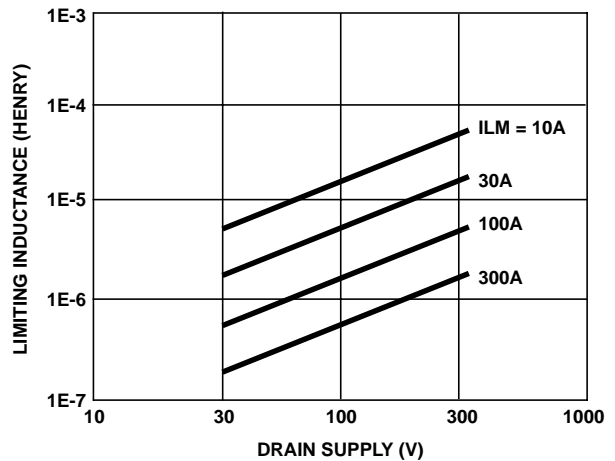


FIGURE 2. DRAIN INDUCTANCE REQUIRED TO LIMIT GAMMA DOT CURRENT TO  $I_{AS}$

Typical Performance Curves Unless Otherwise Specified (Continued)

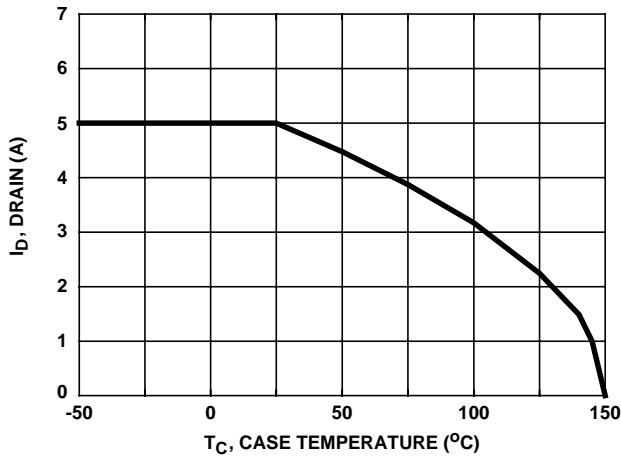


FIGURE 3. MAXIMUM CONTINUOUS DRAIN CURRENT vs TEMPERATURE

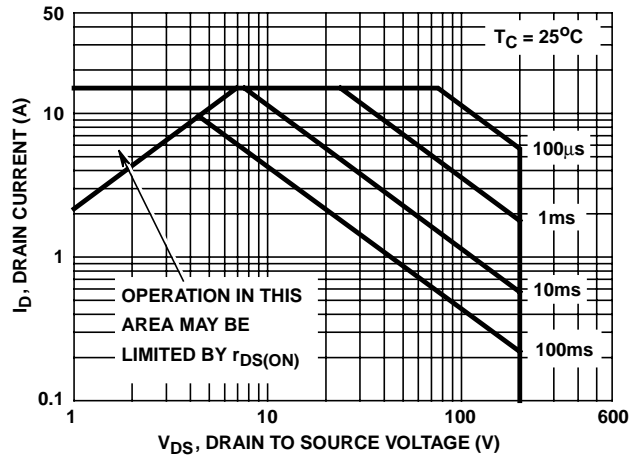


FIGURE 4. FORWARD BIAS SAFE OPERATING AREA

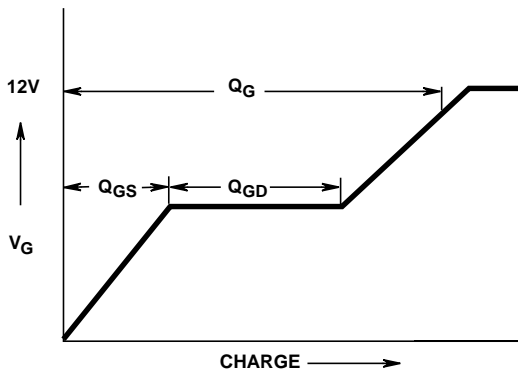


FIGURE 5. BASIC GATE CHARGE WAVEFORM

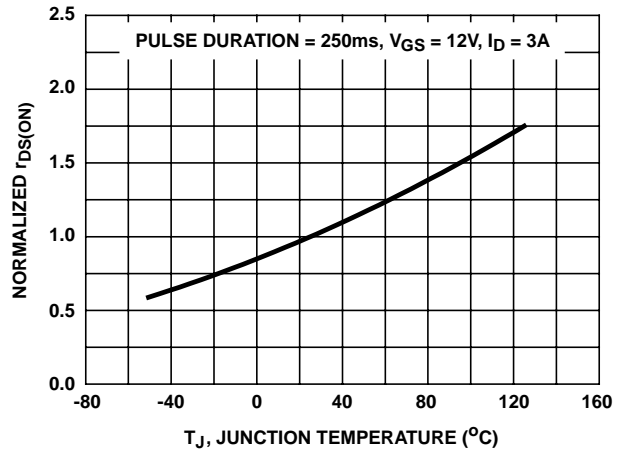


FIGURE 6. NORMALIZED  $r_{DS(ON)}$  vs JUNCTION TEMPERATURE

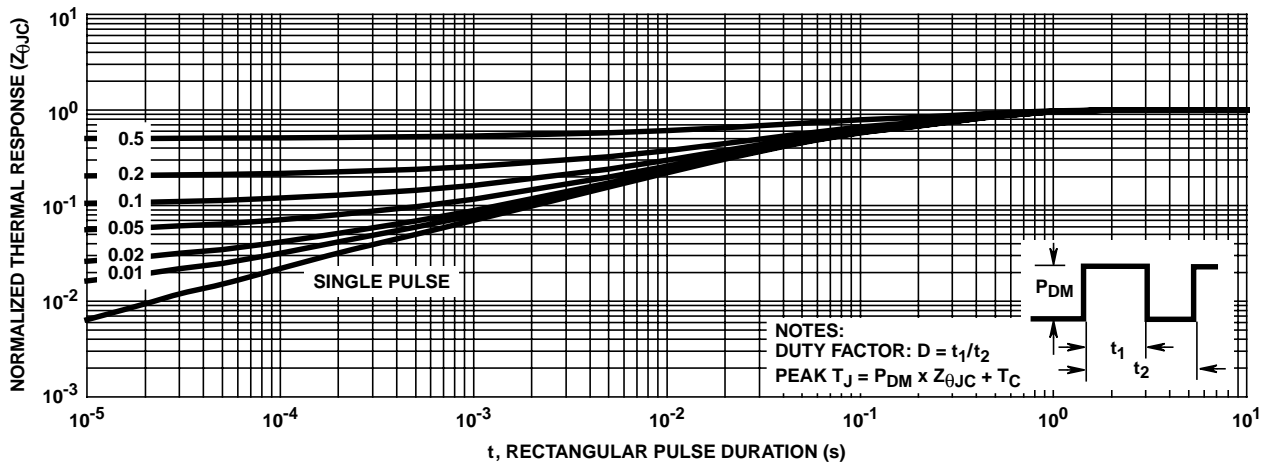


FIGURE 7. NORMALIZED MAXIMUM TRANSIENT THERMAL RESPONSE

**Typical Performance Curves** Unless Otherwise Specified (Continued)

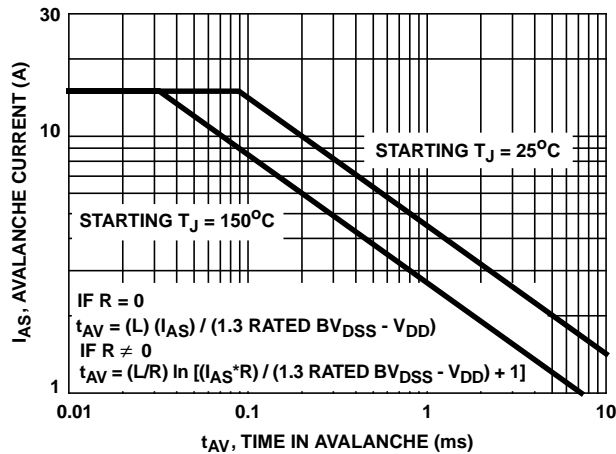


FIGURE 8. UNCLAMPED INDUCTIVE SWITCHING

**Test Circuits and Waveforms**

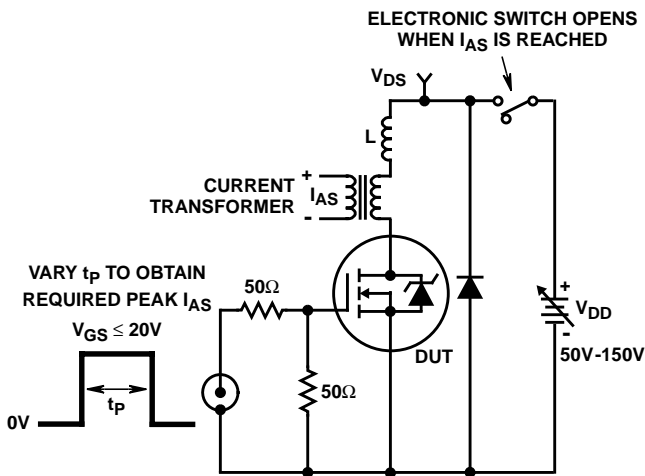


FIGURE 9. UNCLAMPED ENERGY TEST CIRCUIT

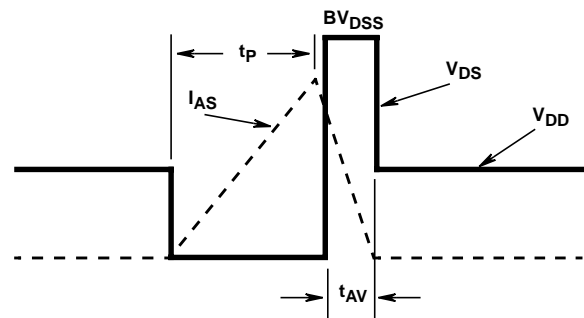


FIGURE 10. UNCLAMPED ENERGY WAVEFORMS

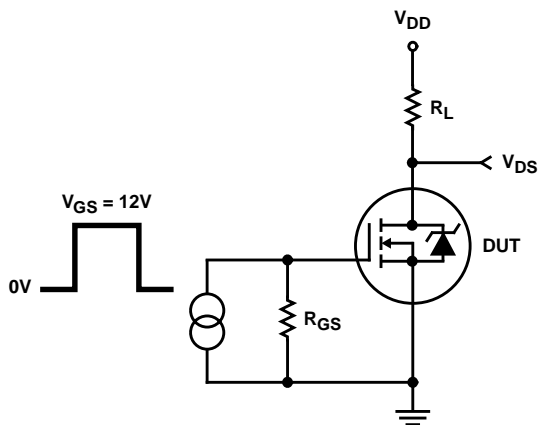


FIGURE 11. RESISTIVE SWITCHING TEST CIRCUIT

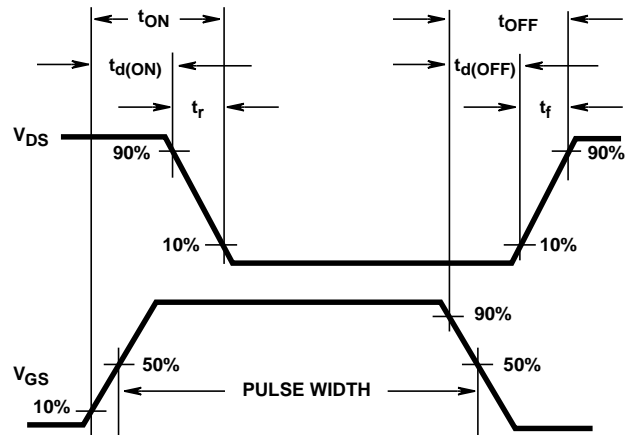


FIGURE 12. RESISTIVE SWITCHING WAVEFORMS

## JANSR2N7396

### Screening Information

Screening is performed in accordance with the latest revision in effect of MIL-S-19500, (Screening Information Table).

#### Delta Tests and Limits (JANS) $T_C = 25^\circ\text{C}$ , Unless Otherwise Specified

| PARAMETER                       | SYMBOL       | TEST CONDITIONS                         | MAX                 | UNITS         |
|---------------------------------|--------------|---|---------------------|---------------|
| Gate to Source Leakage Current  | $I_{GSS}$    | $V_{GS} = \pm 20V$                      | $\pm 20$ (Note 7)   | nA            |
| Zero Gate Voltage Drain Current | $I_{DSS}$    | $V_{DS} = 80\%$ Rated Value             | $\pm 25$ (Note 7)   | $\mu\text{A}$ |
| Drain to Source On Resistance   | $r_{DS(ON)}$ | $T_C = 25^\circ\text{C}$ at Rated $I_D$ | $\pm 20\%$ (Note 8) | $\Omega$      |
| Gate Threshold Voltage          | $V_{GS(TH)}$ | $I_D = 1.0\text{mA}$                    | $\pm 20\%$ (Note 8) | V             |

NOTES:

7. Or 100% of Initial Reading (whichever is greater).
8. Of Initial Reading.

### Screening Information

| TEST                                     | JANS   |
|--|--|
| Gate Stress                              | $V_{GS} = 30V$ , $t = 250\mu\text{s}$  |
| Pind                                     | Required   |
| Pre Burn-In Tests (Note 9)               | MIL-S-19500 Group A,<br>Subgroup 2 (All Static Tests at $25^\circ\text{C}$ )   |
| Steady State Gate Bias (Gate Stress)     | MIL-STD-750, Method 1042, Condition B<br>$V_{GS} = 80\%$ of Rated Value,<br>$T_A = 150^\circ\text{C}$ , Time = 48 hours  |
| Interim Electrical Tests (Note 9)        | All Delta Parameters Listed in the Delta Tests and Limits Table  |
| Steady State Reverse Bias (Drain Stress) | MIL-STD-750, Method 1042, Condition A<br>$V_{DS} = 80\%$ of Rated Value,<br>$T_A = 150^\circ\text{C}$ , Time = 240 hours |
| PDA                                      | 5%   |
| Final Electrical Tests (Note 9)          | MIL-S-19500, Group A,<br>Subgroups 2 and 3   |

NOTE:

9. Test limits are identical pre and post burn-in.

### Additional Screening Tests

| PARAMETER                     | SYMBOL          | TEST CONDITIONS                                 | MAX  | UNITS |
|-------------------------------|-----------------|---|------|-------|
| Safe Operating Area           | SOA             | $V_{DS} = 160V$ , $t = 10\text{ms}$             | 0.65 | A     |
| Unclamped Inductive Switching | $I_{AS}$        | $V_{GS(PEAK)} = 15V$ , $L = 0.1\text{mH}$       | 15   | A     |
| Thermal Response              | $\Delta V_{SD}$ | $t_H = 10\text{ms}$ ; $V_H = 25V$ ; $I_H = 2A$  | 125  | mV    |
| Thermal Impedance             | $\Delta V_{SD}$ | $t_H = 500\text{ms}$ ; $V_H = 25V$ ; $I_H = 1A$ | 250  | mV    |

**Rad Hard Data Packages - Intersil Power Transistors**

1. JANS Rad Hard - Standard Data Package

- A. Certificate of Compliance
- B. Serialization Records
- C. Assembly Flow Chart
- D. SEM Photos and Report
- E. Preconditioning Attributes Data Sheet
  - Hi-Rel Lot Traveler
  - HTRB - Hi Temp Gate Stress Post Reverse Bias Data and Delta Data
  - HTRB - Hi Temp Drain Stress Post Reverse Bias Delta Data
- F. Group A - Attributes Data Sheet
- G. Group B - Attributes Data Sheet
- H. Group C - Attributes Data Sheet
- I. Group D - Attributes Data Sheet

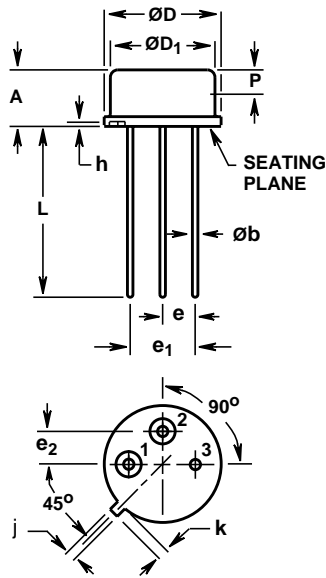
2. JANS Rad Hard - Optional Data Package

- A. Certificate of Compliance
- B. Serialization Records
- C. Assembly Flow Chart
- D. SEM Photos and Report
- E. Preconditioning - Attributes Data Sheet
  - Hi-Rel Lot Traveler
  - HTRB - Hi Temp Gate Stress Post Reverse Bias Data and Delta Data
  - HTRB - Hi Temp Drain Stress Post Reverse Bias Delta Data
  - X-Ray and X-Ray Report
- F. Group A
  - Attributes Data Sheet
  - Hi-Rel Lot Traveler
  - Subgroups A2, A3, A4, A5 and A7 Data
- G. Group B
  - Attributes Data Sheet
  - Hi-Rel Lot Traveler
  - Subgroups B1, B3, B4, B5 and B6 Data
- H. Group C
  - Attributes Data Sheet
  - Hi-Rel Lot Traveler
  - Subgroups C1, C2, C3 and C6 Data
- I. Group D
  - Attributes Data Sheet
  - Hi-Rel Lot Traveler
  - Pre and Post Radiation Data

# JANSR2N7396

## TO-205AF

### 3 LEAD JEDEC TO-205AF HERMETIC METAL CAN PACKAGE



| SYMBOL          | INCHES |       | MILLIMETERS |       | NOTES |
|-----------------|--------|-------|-------------|-------|-------|
|                 | MIN    | MAX   | MIN         | MAX   |       |
| A               | 0.160  | 0.180 | 4.07        | 4.57  | -     |
| Øb              | 0.016  | 0.021 | 0.41        | 0.53  | 2, 3  |
| ØD              | 0.350  | 0.370 | 8.89        | 9.39  | -     |
| ØD <sub>1</sub> | 0.315  | 0.335 | 8.01        | 8.50  | -     |
| e               | 0.095  | 0.105 | 2.42        | 2.66  | 4     |
| e <sub>1</sub>  | 0.190  | 0.210 | 4.83        | 5.33  | 4     |
| e <sub>2</sub>  | 0.095  | 0.105 | 2.42        | 2.66  | 4     |
| h               | 0.010  | 0.020 | 0.26        | 0.50  | -     |
| j               | 0.028  | 0.034 | 0.72        | 0.86  | -     |
| k               | 0.029  | 0.045 | 0.74        | 1.14  | -     |
| L               | 0.500  | 0.560 | 12.70       | 14.22 | 3     |
| P               | 0.075  | -     | 1.91        | -     | 5     |

#### NOTES:

1. These dimensions are within allowable dimensions of Rev. E of JEDEC TO-205AF outline dated 11-82.
2. Lead dimension (without solder).
3. Solder coating may vary along lead length, add typically 0.002 inches (0.05mm) for solder coating.
4. Position of lead to be measured 0.100 inches (2.54mm) from bottom of seating plane.
5. This zone controlled for automatic handling. The variation in actual diameter within this zone shall not exceed 0.010 inches (0.254mm).
6. Lead no. 3 butt welded to stem base.
7. Controlling dimension: Inch.
8. Revision 3 dated 6-94.

All Intersil semiconductor products are manufactured, assembled and tested under **ISO9000** quality systems certification.

*Intersil products are sold by description only. Intersil Corporation reserves the right to make changes in circuit design and/or specifications at any time without notice. Accordingly, the reader is cautioned to verify that data sheets are current before placing orders. Information furnished by Intersil is believed to be accurate and reliable. However, no responsibility is assumed by Intersil or its subsidiaries for its use; nor for any infringements of patents or other rights of third parties which may result from its use. No license is granted by implication or otherwise under any patent or patent rights of Intersil or its subsidiaries.*

For information regarding Intersil Corporation and its products, see web site <http://www.intersil.com>

### Sales Office Headquarters

**NORTH AMERICA**  
Intersil Corporation  
P. O. Box 883, Mail Stop 53-204  
Melbourne, FL 32902  
TEL: (407) 724-7000  
FAX: (407) 724-7240

**EUROPE**  
Intersil SA  
Mercure Center  
100, Rue de la Fusee  
1130 Brussels, Belgium  
TEL: (32) 2.724.2111  
FAX: (32) 2.724.22.05

**ASIA**  
Intersil (Taiwan) Ltd.  
Taiwan Limited  
7F-6, No. 101 Fu Hsing North Road  
Taipei, Taiwan  
Republic of China  
TEL: (886) 2 2716 9310  
FAX: (886) 2 2715 3029