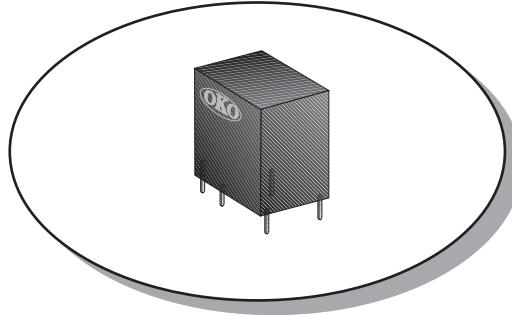


AUTOMOTIVE - Miniature

OKO type K34S

Enclosed versions of the K34N range offering a miniature package with fully sealed 'vented' construction. Silver alloy contacts, with choice of form, rated up to **15A** (carrying). PCB terminations.

- ◆ 1 form A, C, U & W silver alloy
- ◆ Miniature package
- ◆ PCB terminations
- ◆ Fully sealed
- ◆ Rated up to **15A** carry
- ◆ **Automotive** style
- ◆ Very competitively priced



Contacts:

Type	Make	Break	Carry
1 form A:	60A	20A	15A
1 form C:	NO	20A	15A
	NC	12A	10A
1 form U:	2 X 40A	2 X 20A	2 X 10A
1 form W:	NO	2 X 30A	2 X 15A
	NC	2 X 5A	2 X 5A

DC: 75V, 200W
 AC: 60V, 500VA
 Silver alloy

Coil:

Power consumption 1.1W
 Operating voltage range 65-130% (1 form W 75-130%)

Speed:

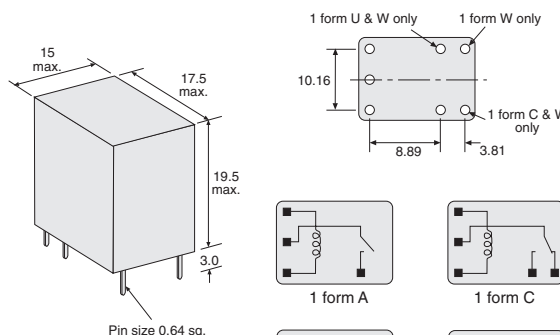
Operating time 3ms
 Release time 1.5ms

Life Expectancy:

Mechanical: 10 x 10⁶ operations min.
 Electrical (DC): 2 x 10⁵ operations min. @10A, 15V

Operating Temperature Range:

-40°C to +85°C



Dimensions (mm)

Footprint (pin view)

Schematics (pin view)

Coil Voltage/Resistance

6Vdc /28Ω
 12Vdc /130Ω
 24Vdc /520Ω

OKO Part No.

1 form A	1 form C	1 form U	1 form W
K34SA06	K34SC06	K34SU06	K34SW06
K34SA12	K34SC12	K34SU12	K34SW12
K34SA24	K34SC24	K34SU24	K34SW24

Other contact forms available to special order