

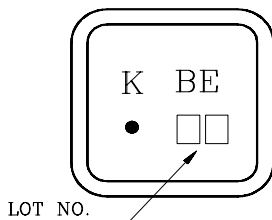
Band pass filters for the receiving RF circuits of pager

- High stability and reliability with good performance and no adjustment.
- Wide and sharp pass band characteristics.
- Low insertion loss and deep stop band attenuation for interference.
- Terminating Impedance : 50Ω+Series L(10nH)
- KF930S : SC-45 Package, KF930V : SC-44 Package.
- F-11 Package Type : KF930.

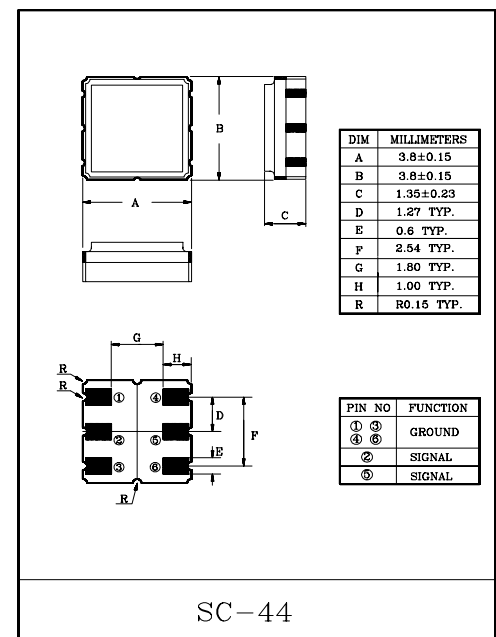
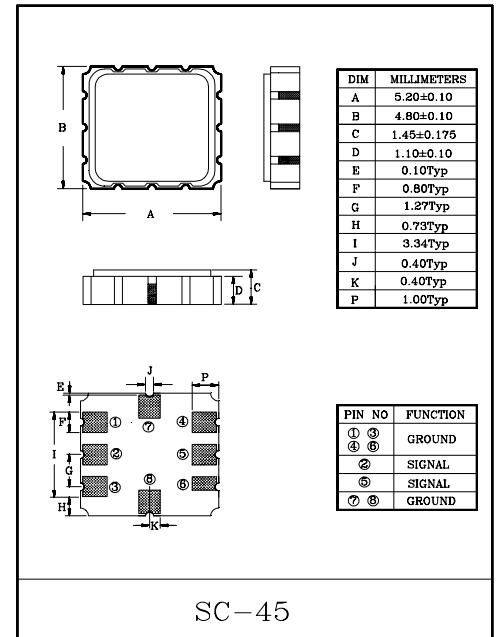
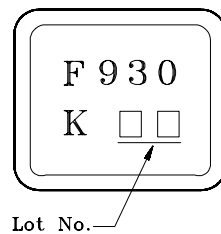
MAXIMUM RATINGS (Ta=25°C)

ITEM	SYMBOL	RATING	UNIT
Input Signal Level	IS _{max}	0	dBm
DC Permissive Voltage	V _{DC}	+10	V
Operating Temperature Range	T _{opr}	-10~+50	°C
Storage Temperature Range	T _{stg}	-30~+85	°C

Marking(SC-44)



(SC-45)



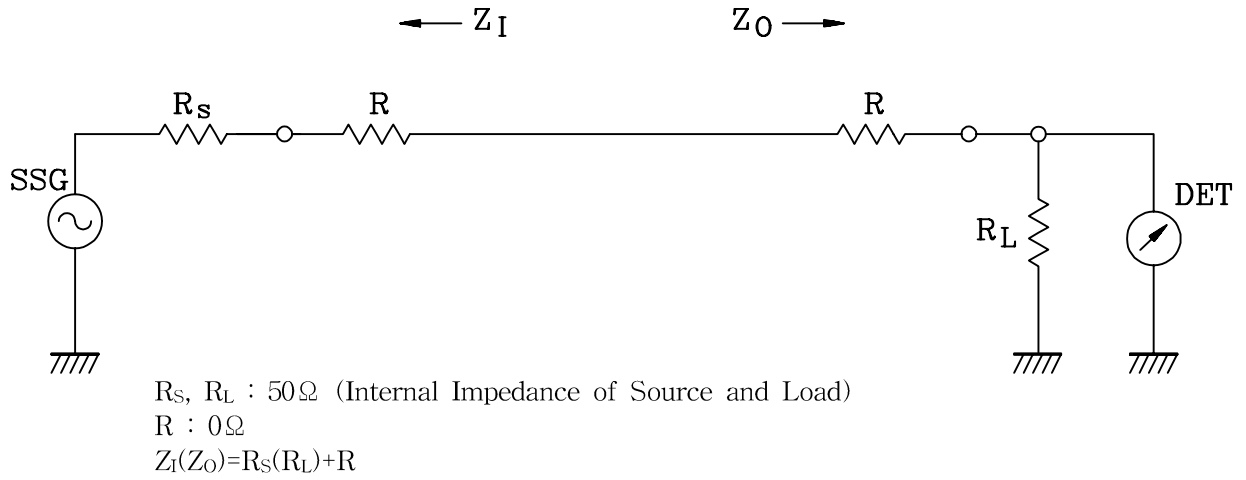
ELECTRICAL CHARACTERISTICS (Temperature 20±2°C, Humidity 65±5%)

ITEMS	SYMBOL	TEST CONDITION	MIN.	TYP.	MAX.	UNIT
Nominal Center Frequency	f ₀	-	-	930.5	-	MHz
Bandwidth	BW _{3dB}	-	f ₀ ±2.0	-	-	MHz
Insertion Loss	IL _{PASS}	f ₀ ±2.0MHz	-	-	4.0	dB
Ripple Level	A _{RIP}	f ₀ ±2.0MHz	-	-	2.0	dB
Rejection Level	IL _{STOP}	f ₀ -400~f ₀ -40.8MHz	45	-	-	dB
		f ₀ +50~f ₀ +400MHz	45	-	-	dB
Input/Output Impedance	Z _I (Z _O)	-	-	50Ω+Series L(10nH)	-	-

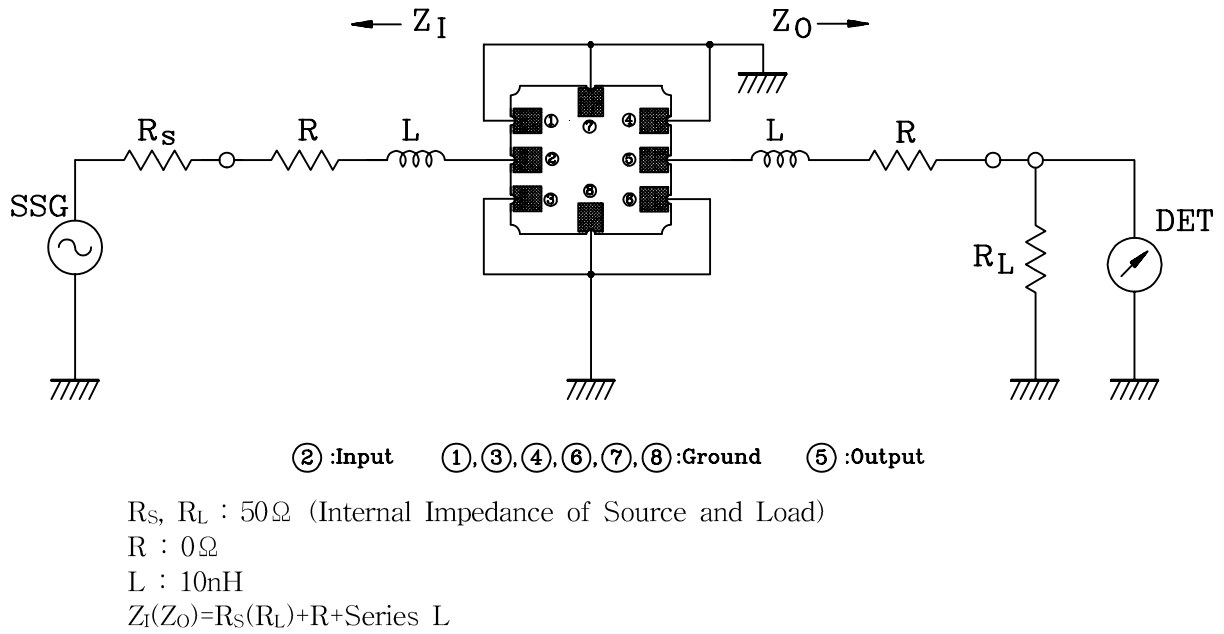
KF930S/V

TEST CIRCUIT

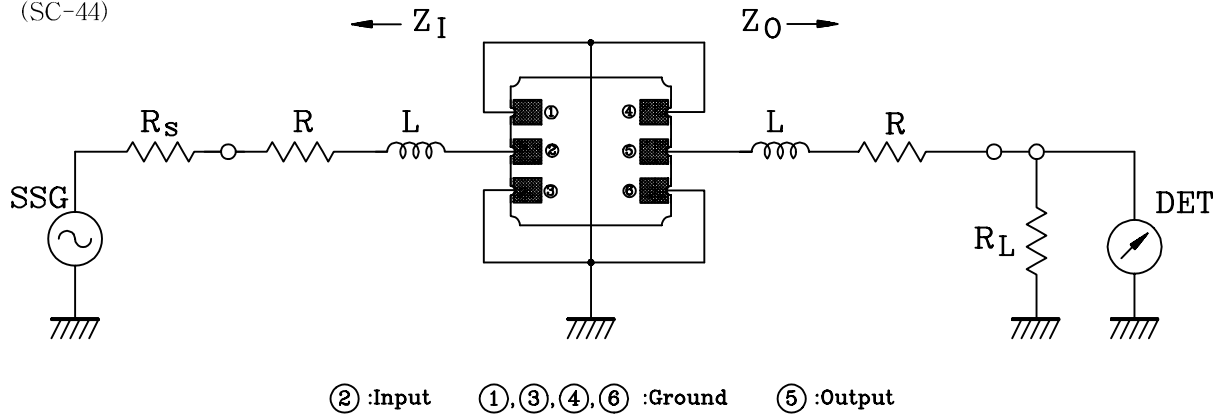
REFERENCE LEVEL TEST CIRCUIT



MEASUREMENT CIRCUIT (SC-45)

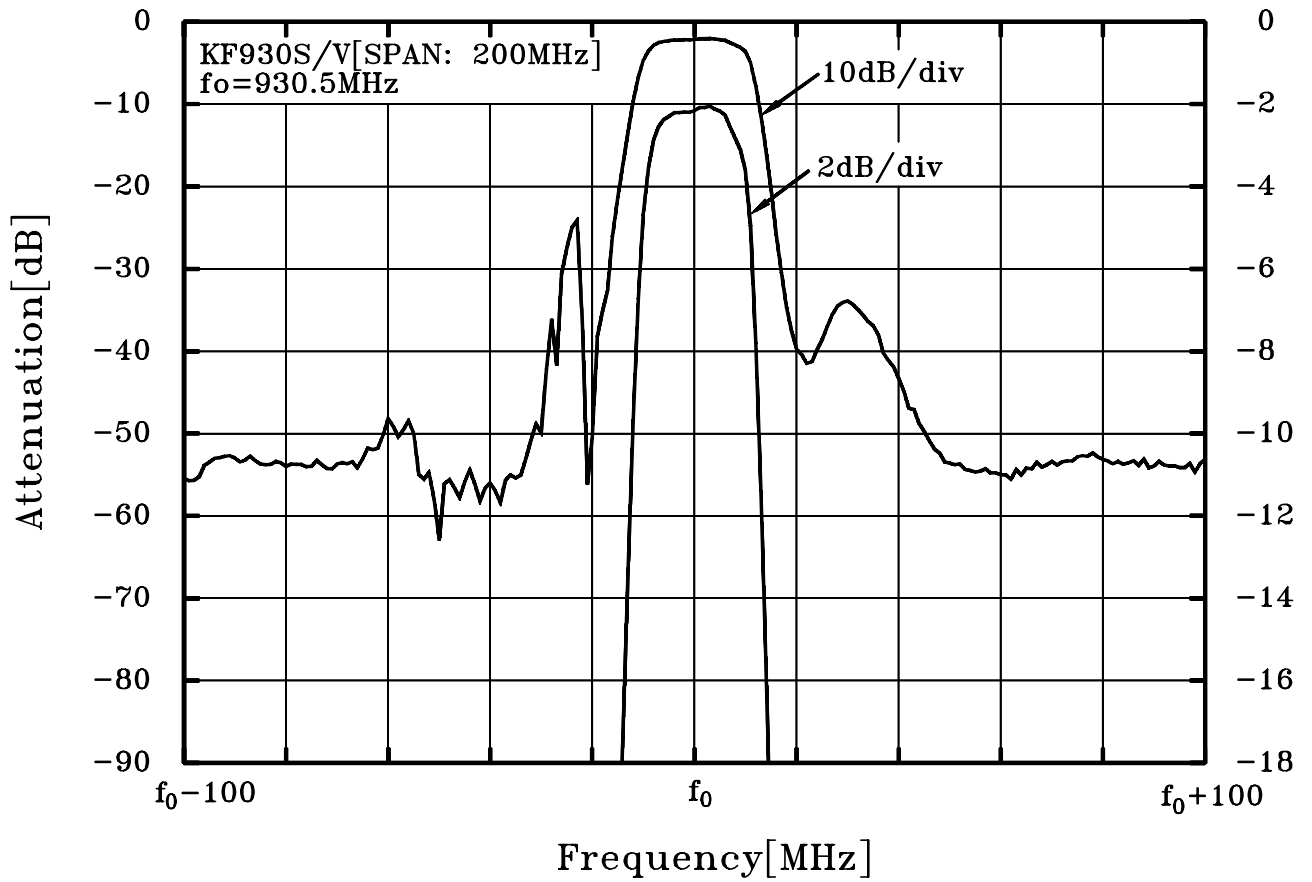


(SC-44)



KF930S/V

ATT - f



ATT - f

