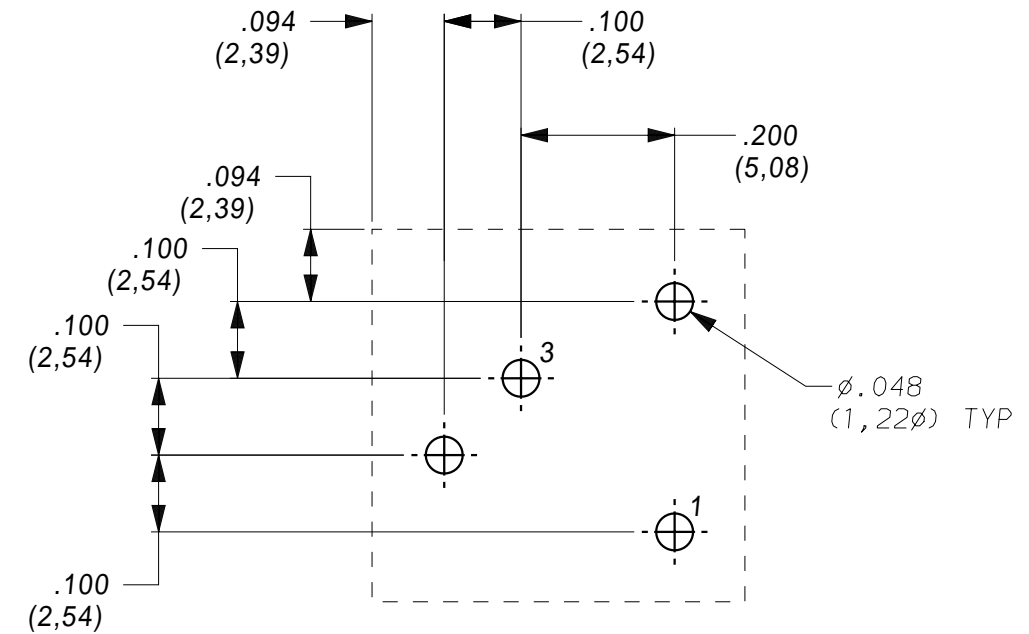
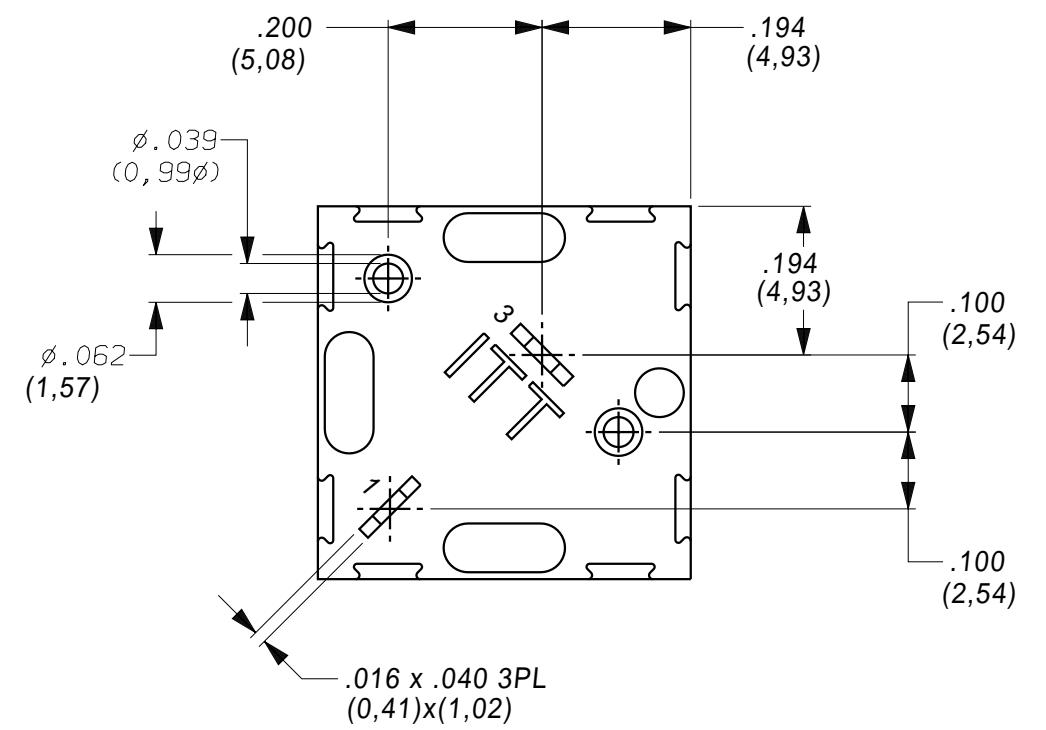
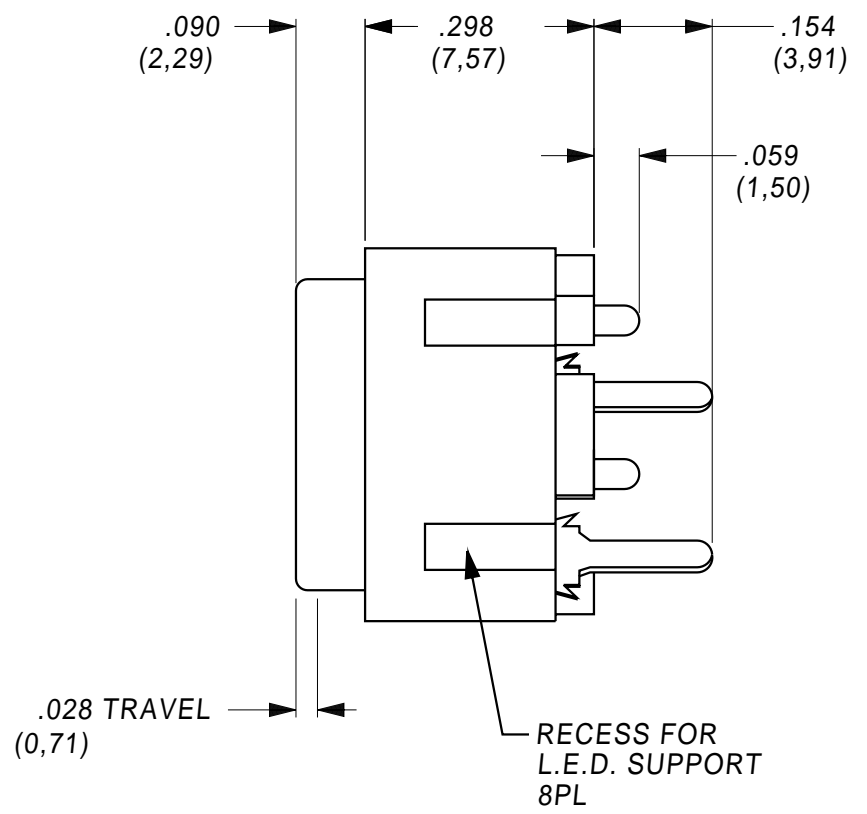
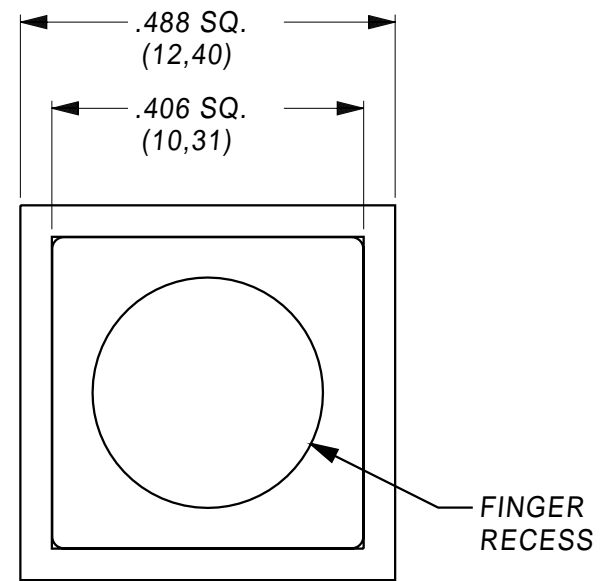
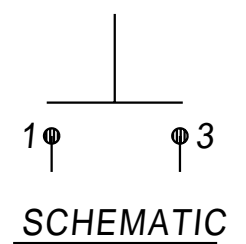


REVISIONS				A	
ECN	SYM	DESCRIPTION	DATE	APPROVAL	
	1	RELEASE TO PRODUCTION	6/2/04 KON		



RECOMMENDED  
P.C. LAYOUT

POS.1	POS.2
OFF	MOM
TERMINALS CONNECTED	
OPEN	1,3



CAD FILE NO.: ks11r27cq-d-ol\_a

CAP COLOR	
1	WHITE
2	BLACK(STD)
3	RED
7	BLUE

ALL DIMS. AND TOLS.  
PER ANSI Y14.5

THIS DOCUMENT AND THE INFORMATION  
IN IT IS THE EXCLUSIVE PROPERTY OF  
C&K COMPONENTS, INC. AND IS NOT  
TO BE USED OR DISCLOSED WITHOUT THE  
EXPRESS WRITTEN PERMISSION OF  
C&K COMPONENTS, INC.

CRITICAL - MUST COMPLY WITH C&K  
QUALIFICATION STD. CKQ10019

MAJOR DIMENSION

UNLESS OTHERWISE SPECIFIED  
DIMENSIONS ARE IN INCHES

TOLERANCES

DECIMAL	ANGULAR
.XX±	±5°
.XXX±	.015

SCALE 4:1 DATE 9/11/03

DRAWN K.ONEIL APPROVED

C&K P/N: KS11R27CQD



REV. A

SHT.NO. OF