
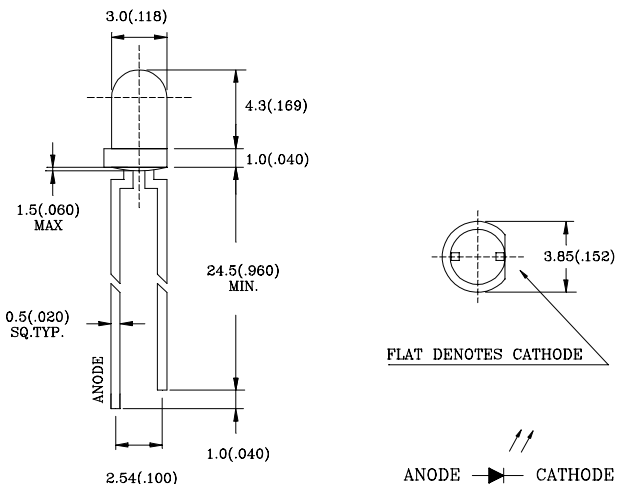




L-31XXIR1XX 3.0mm INFRARED EMITTING DIODE



◆PACKAGE DIMENSIONS



◆ABSOLUTE MAXIMUN RATING: (Ta=25°C)

Part No.	P _D (mw)	V _R (V)	Topr	Tstg
L-31XXIR1XX	100	5	-35°C to 85°C	-35°C to 85°C
PARAMETER	Power Dissipation	Reverse Voltage	Operating Temperature Range	Storage Temperature Range

Lead Soldering Temperature { 1.6mm (0.063 inch) From Body } 250°C ±5°C For 3 Seconds

◆ELECTRO-OPTICAL CHARACTERISTICS: (Ta=25°C)

Part No.	V _F (V)			I _R (uA)			λ _P (nm)			2θ 1/2 (Age)			I _e (mw/sr)		
	Min	Typ	Max	Min	Typ	Max	Min	Typ	Max	Min	Typ	Max	Min	Typ	Max
L-314EIR1C		1.2 1.4	1.6			10		940			20		7	14	
L-315EIR1C		1.2 1.4	1.6			10		940			25		6	12	
L-316EIR1C		1.2 1.4	1.6			10		940			30		6	12	
L-318EIR1C		1.2 1.4	1.6			10		940			40		6	10	
L-314EIR1BC		1.2 1.4	1.6			10		940			20		7	14	
L-315EIR1BC		1.2 1.4	1.6			10		940			25		6	12	
L-316EIR1BC		1.2 1.4	1.6			10		940			30		6	12	
L-318EIR1BC		1.2 1.4	1.6			10		940			40		6	10	
TEST CONDITION	I _F =20mA I _F =100mA			V _R = 5V			I _F = 20mA			I _F =20mA			I _F = 20mA		

BC=BLUE CLEAR

- All dimension are in millimeter (inches).
- Tolerance is ±0.25mm(0.01”)unless otherwise specified.